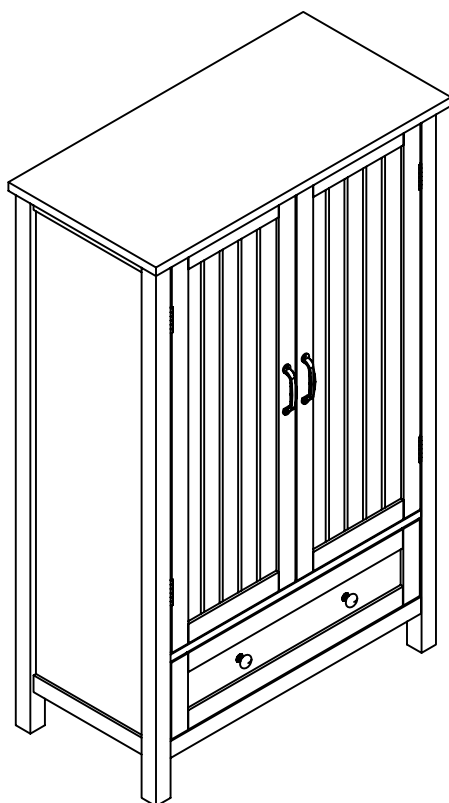


USE AND CARE GUIDE

KITCHEN PANTRY STORAGE CABINET



Questions, problems, missing parts?
Before returning to the store, call Customer Service.
8 a.m. – 7 p.m., EST, Monday – Friday, 9 a.m. – 6 p.m., EST, Saturday

1-877-527-0313

HOMEDEPOT.COM

THANK YOU

We appreciate the trust and confidence you have placed in StyleWell through the purchase of this kitchen pantry storage cabinet. We strive to continually create quality products designed to enhance your home. Visit us online to see our full line of products available for your home improvement needs. Thank you for choosing StyleWell!

Table of Contents

Table of Contents.....	2	Tools Required	4
Safety Information.....	2	Hardware Included.....	4
Warranty.....	3	Pre-assembly (continued)	5
1 Year Warranty	3	Package Contents	5
What is Covered	3	Assembly	6
What is Not Covered	3		
Pre-assembly.....	4		
Planning Assembly.....	4		

Safety Information



DANGER

- Keep small parts away from children during assembly.
- Read and follow instructions carefully.



NOTE: If you are unsure about your wall type or what mounting method you should use, consult a qualified professional.



WARNING

- Read these instructions carefully and keep in a safe place.
- **TO GUARANTEE THE SAFE USE OF THIS PRODUCT, FOLLOW THE WARNINGS, GUIDELINES AND RECOMMENDATIONS IN THIS MANUAL.**
- Adult assembly required.
- Small parts may present choking hazard prior to assembly.
- To further reduce the risk of serious injury and death from tip-overs:
 - Place heaviest items in the lowest compartments or drawers.
 - Never allow children to climb or hang on drawers, doors or shelves.
 - Never open more than one drawer at a time.
 - Use of tip-over restraints may only reduce, but not eliminate, the risk of tip-over.
 - For safe mounting, it is essential to use wall anchors appropriate to your wall type (i.e. plaster, drywall, concrete, etc). Mount to wood studs whenever possible.*



CAUTION

- Do not use power tools to assemble your furniture. Power tools may strip or damage parts/product.
- Do not overtighten connectors (screws, bolts, etc.). Overtightening can lead to product damage.
- Be sure to check all packing materials carefully for small parts that may have come loose inside the carton during shipment. If parts are missing, contact THE HOME DEPOT to obtain any missing parts.
- **DO NOT USE SUBSTITUTE PARTS.**
- This product should only be used on a flat, level surface.
- Product is designed to hold 70 pounds. Exceeding this limit may damage the product or cause injury to the user.

Warranty

1 YEAR WARRANTY

WHAT IS COVERED

We guarantee this product to be free of manufacturing defects to the original purchaser for one year.

WHAT IS NOT COVERED

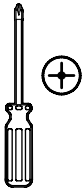
This warranty does not cover commercial use, acts of nature, and abusive use.

Pre-assembly

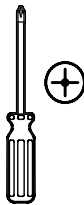
PLANNING ASSEMBLY

Keep children and pets away from build area. Make sure your area is large enough to unpack, sort and assemble the unit.

TOOLS REQUIRED



Small head
Phillips
screwdriver

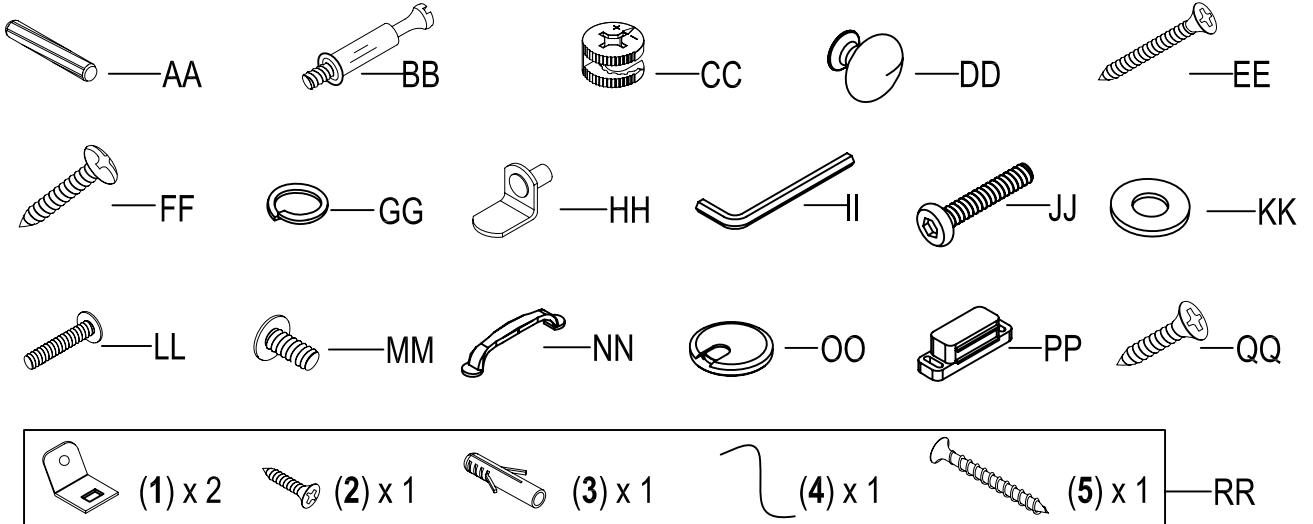


Large head
Phillips
screwdriver

HARDWARE INCLUDED



NOTE: Hardware not shown to actual size.

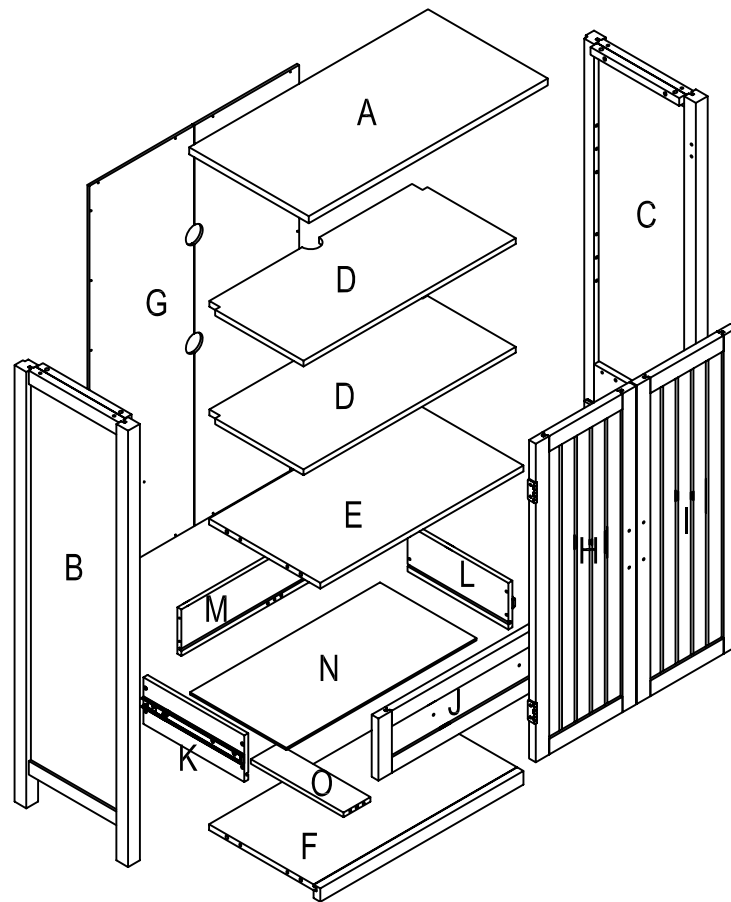


Part	Description	Quantity
AA	Wood dowel	16
BB	Cam lock bolt	9
CC	Cam lock	9
DD	Knob	2
EE	1 in. Flat head screw	9
FF	5/8 in. Round head screw	26
GG	Spring washer	4
HH	Shelf support	8
II	Allen wrench	1

Part	Description	Quantity
JJ	Large bolt	4
KK	Flat washer	4
LL	Handle bolt	4
MM	Knob bolt	2
NN	Handle	2
OO	Wire plug	2
PP	Magnet	1
QQ	1/2 in. Flat head screw	8
RR	Anti-tipping hardware package	1

Pre-assembly (continued)

PACKAGE CONTENTS

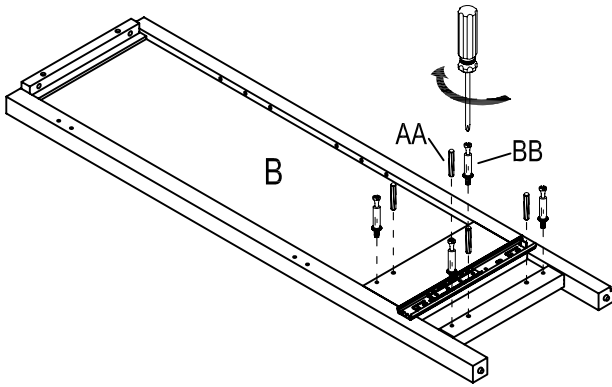


Part	Description	Quantity
A	Top panel	1
B	Left side panel	1
C	Right side panel	1
D	Adjustable shelf	2
E	Fixed panel	1
F	Bottom panel	1
G	Back panel	1
H	Left door	1
I	Right door	1
J	Drawer front panel	1
K	Drawer left side panel	1
L	Drawer right side panel	1
M	Drawer back panel	1
N	Drawer bottom panel	1
O	Support bar	1

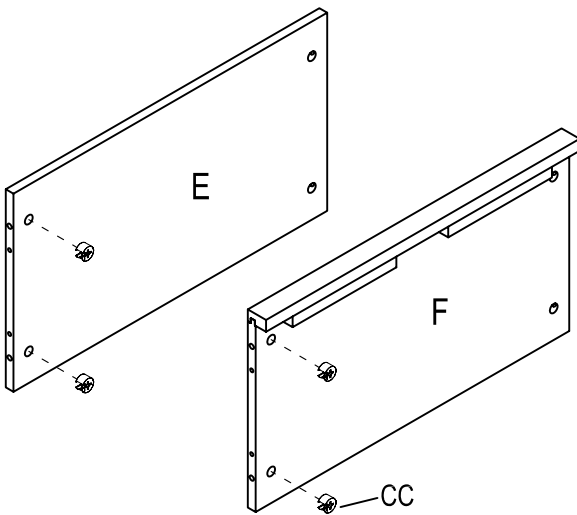
Assembly

1 Attaching the fixed panel and bottom panel to left side panel

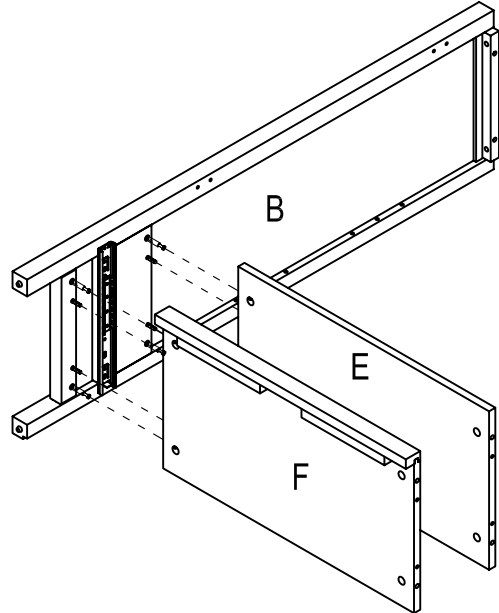
- a) Install dowel (AA) and bolt (BB) into panel (B).



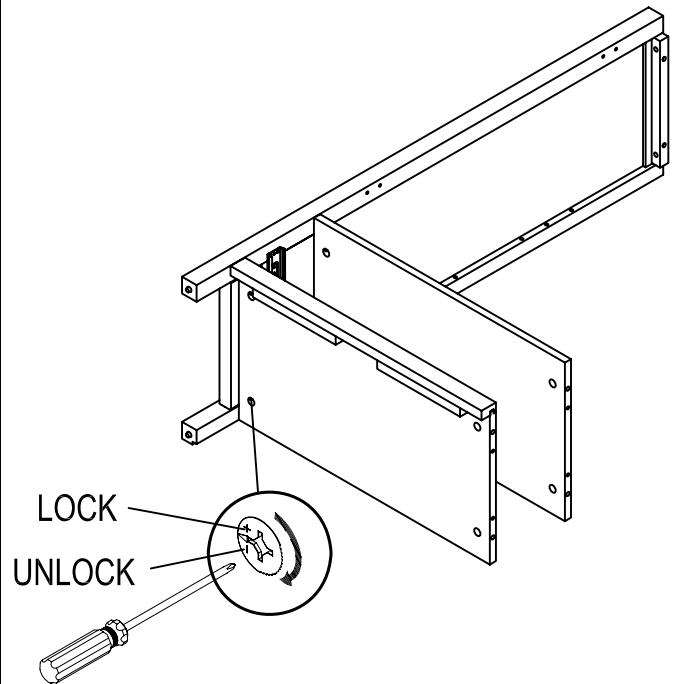
- b) Insert lock (CC) into panels (E) and (F).



- c) Join panels (E) and (F) to panel (B) with dowel (AA).



- d) Tighten bolt (BB) with lock (CC) in the pre-drilled holes.



Wood dowel

Cam lock bolt

Cam lock

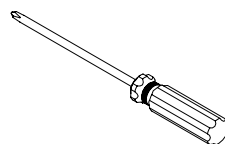
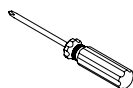
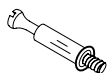
Small head

Large head

(AA) x 4

(BB) x 4

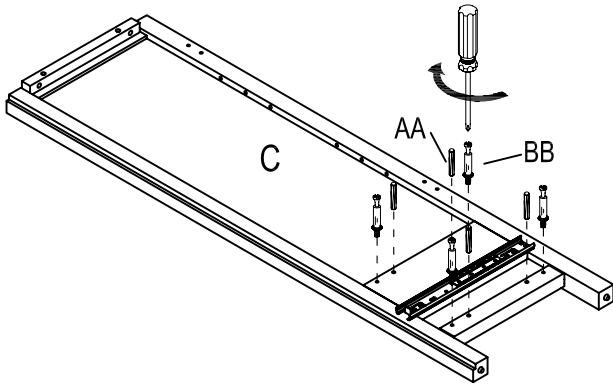
(CC) x 4



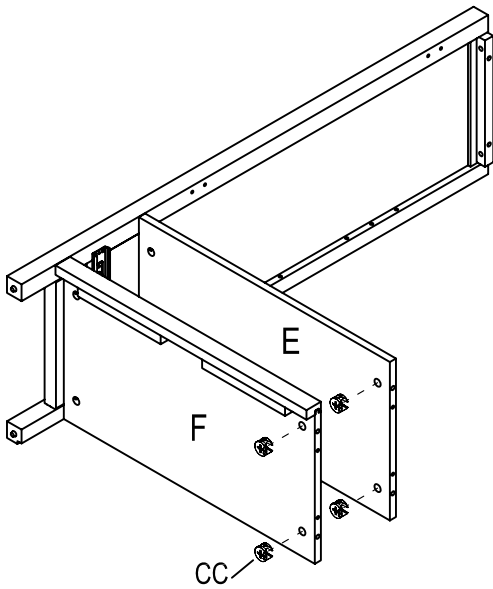
Assembly (continued)

2 Attaching the right side panel

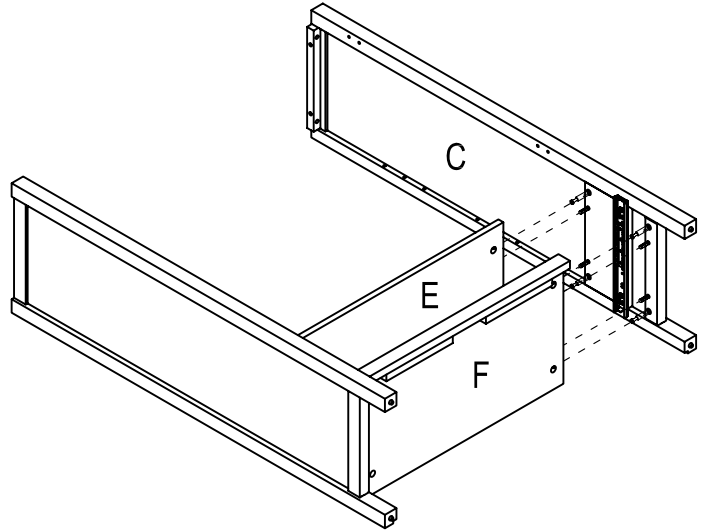
- a) Install dowel (AA) and bolt (BB) into panel (C).



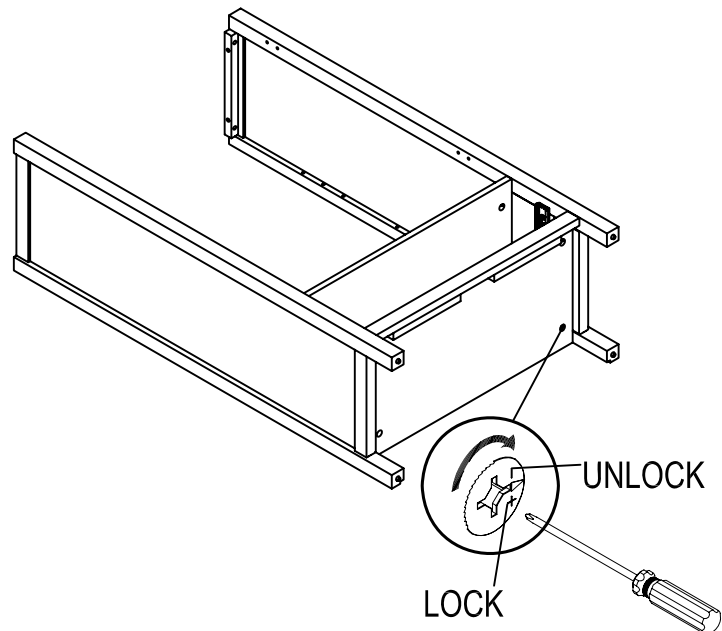
- b) Insert lock (CC) into panels (E) and (F).



- c) Join panel (C) to the assembled body with dowel (AA).



- d) Tighten bolt (BB) with lock (CC) in the pre-drilled holes.



Wood dowel

Cam lock bolt

Cam lock

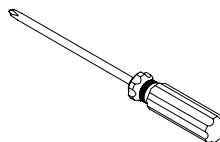
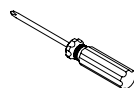
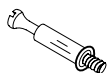
Small head

Large head

(AA) x 4

(BB) x 4

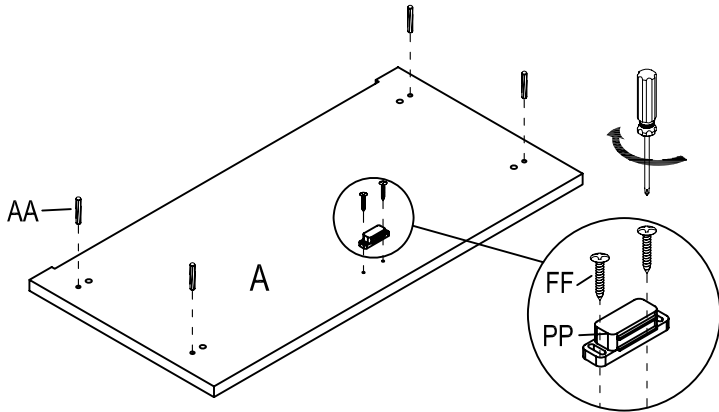
(CC) x 4



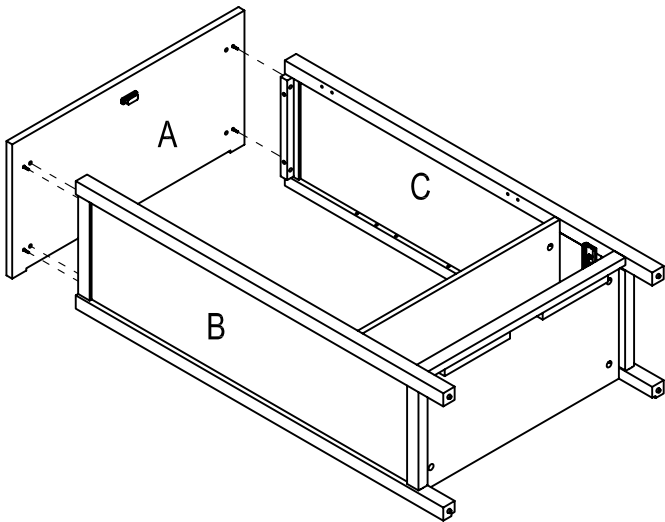
Assembly (continued)

3 Attaching the top panel

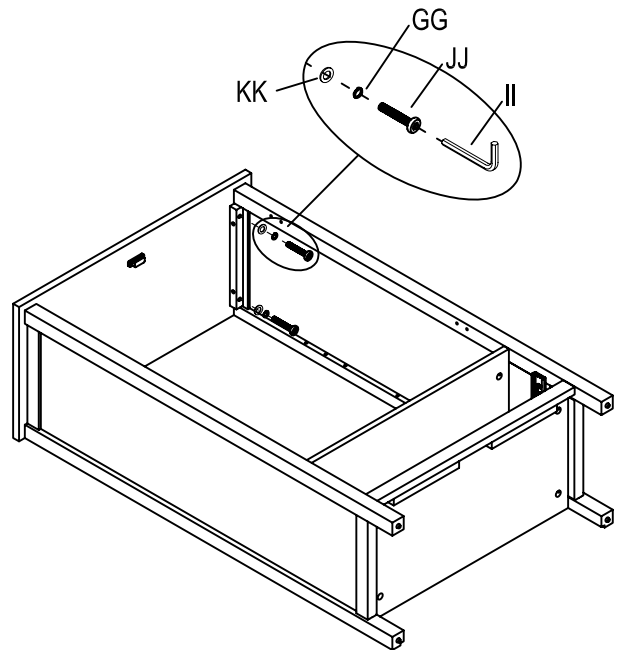
- a) Install dowel (AA) into panel (A).
Attach magnet (PP) to panel (A) with screw (FF).



- b) Join panel (A) to the assembled body with dowel (AA).



- c) Attach panel (A) with washers (KK) and (GG), and bolt (JJ). Turn and tighten bolt (JJ) with wrench (II).

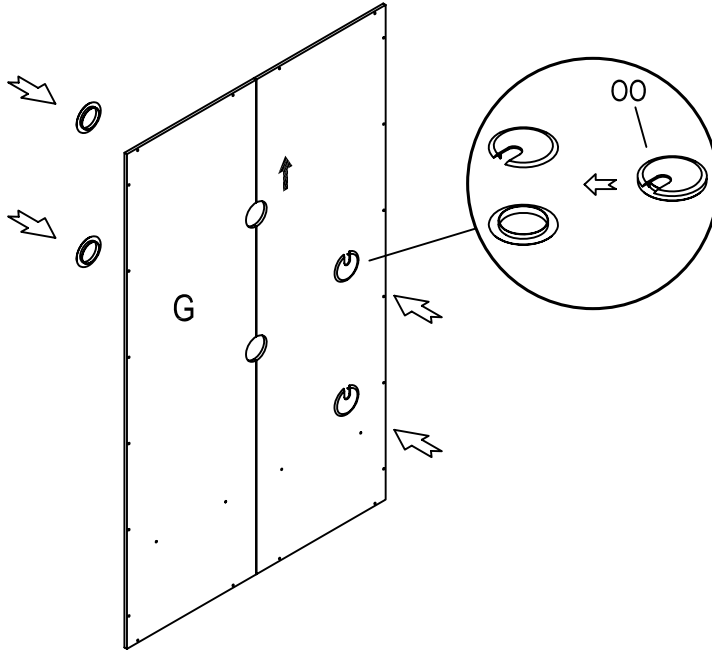


Wood dowel	5/8 in. Round head screw	Allen wrench	Large bolt	Washer	Spring washer	Magnet	Small head
(AA) x 4	(FF) x 2	(II) x 1	(JJ) x 4	(KK) x 4	(GG) x 4	(PP) x 1	

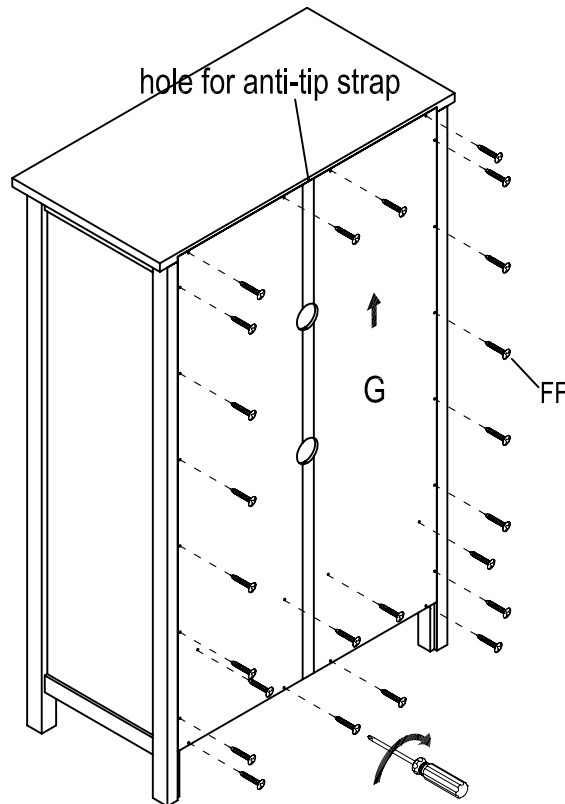
Assembly (continued)

4 Attaching the back panel

- a) Install wire plug (00) into panel (G) as shown.



- b) Tighten panel (G) to the assembled body with screws (FF) as shown.



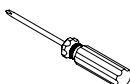
5/8 in. Round head
screw
(FF) x 24



Wire plug
(00) x 2



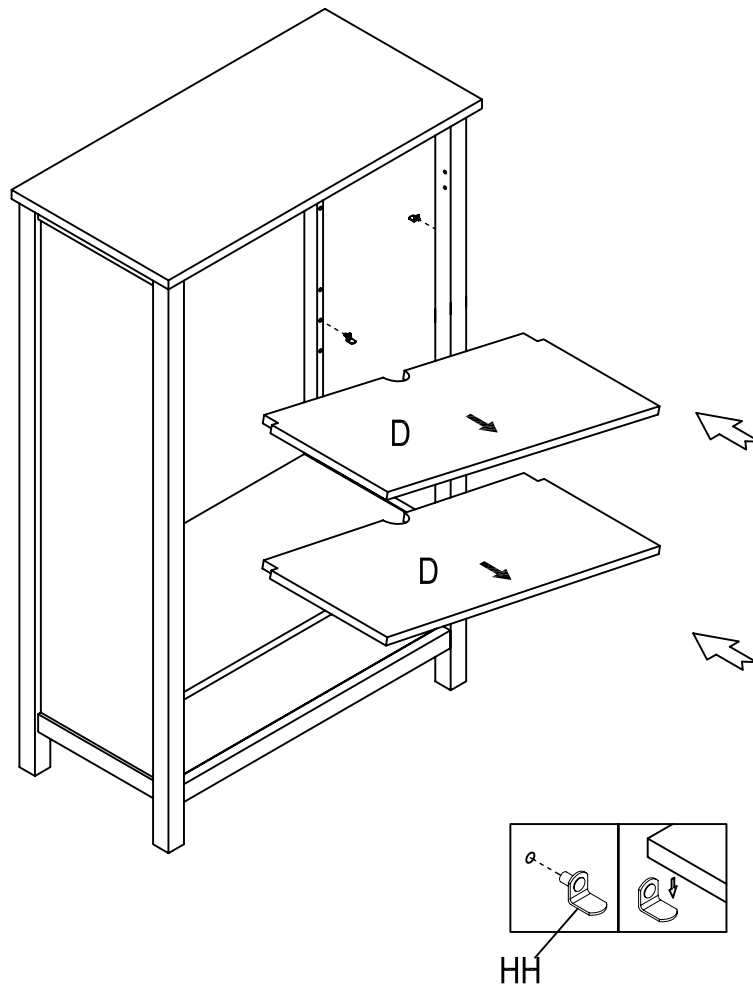
Small head



Assembly (continued)

5 Attaching the adjustable shelf

- Insert shelf supports (HH) in desired positions and place shelf (D) on the supports.



Shelf support

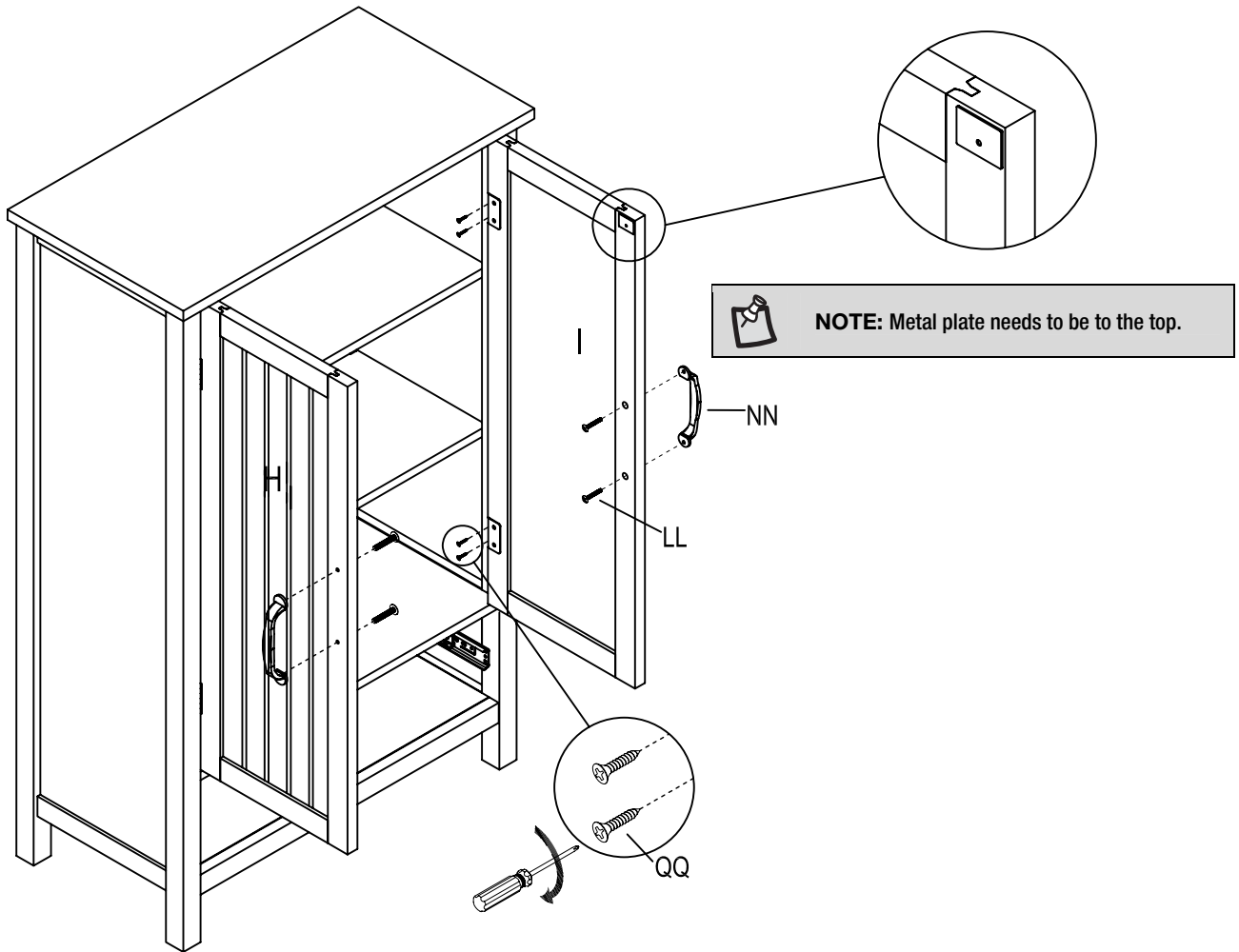
(HH) x 8



Assembly (continued)

6 Attaching the door

- a) Attach doors (H) and (I) to the assembled body with screw (QQ) as shown.



- b) Attach handle (NN) to doors (H) and (I) with the handle bolt (LL).

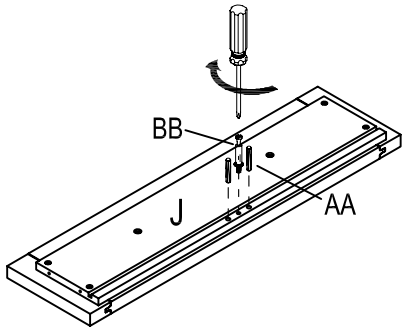
NOTE: A helper who can hold the door in position makes the door installation easier.

Handle bolt	Handle	1/2 in. Flat head screw	Small head
(LL) x 4	(NN) x 2	(QQ) x 8	

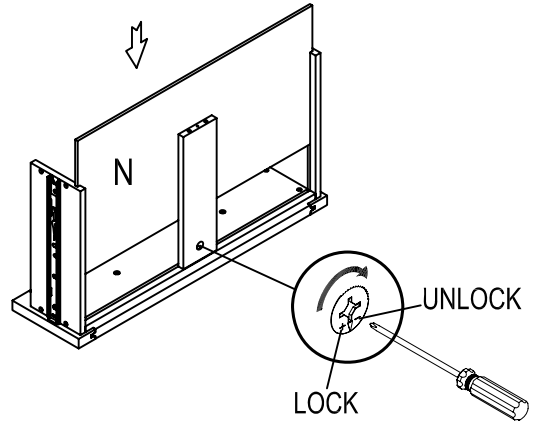
Assembly (continued)

7 Assembling the drawer

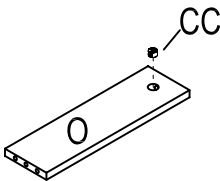
- a) Install dowel (AA) and bolt (BB) into panel (J).



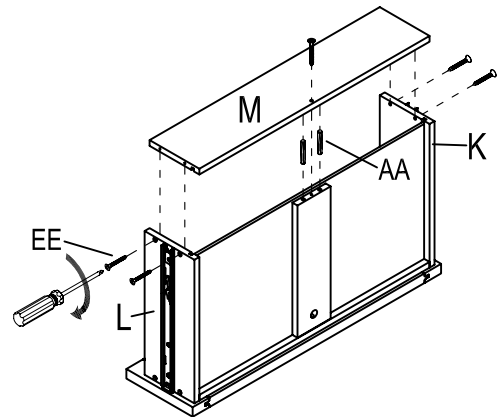
- d) Slide panel (N) into the grooves on panels (K) and (L). Tighten bolt (BB) with lock (CC) in the pre-drilled hole.



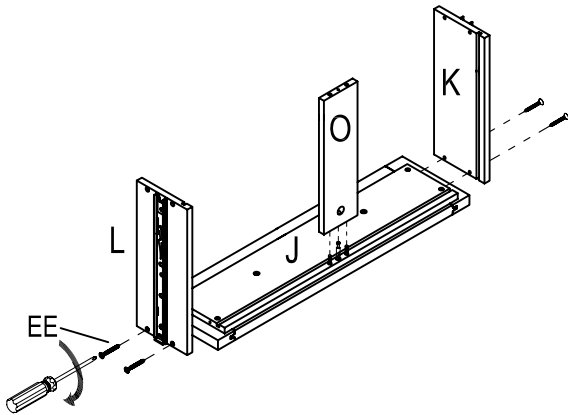
- b) Insert lock (CC) into support bar (O).



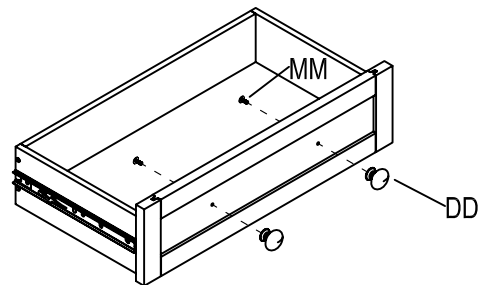
- e) Tighten panel (M) to the assembled body with screw (EE) and dowel (AA).



- c) Tighten panels (K) and (L) to panel (J) with screw (EE). Join support bar (O) to panel (J) with dowel (AA).



- f) Tighten knob (DD) to panel (J) with knob bolt (MM).



Wood dowel Cam lock bolt Cam lock Knob 1 in. Flat head screw Knob bolt Small head Large head

(AA) x 4

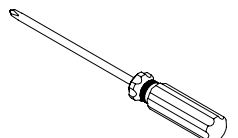
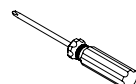
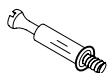
(BB) x 1

(CC) x 1

(DD) x 2

(EE) x 9

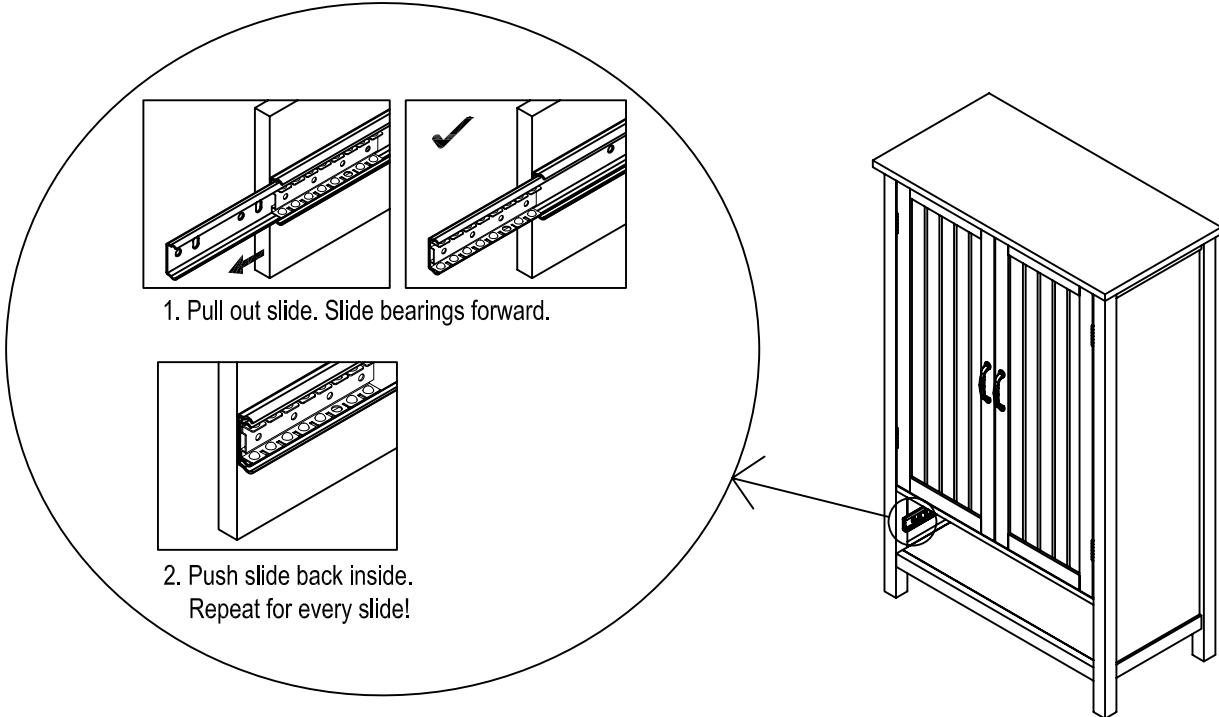
(MM) x 2




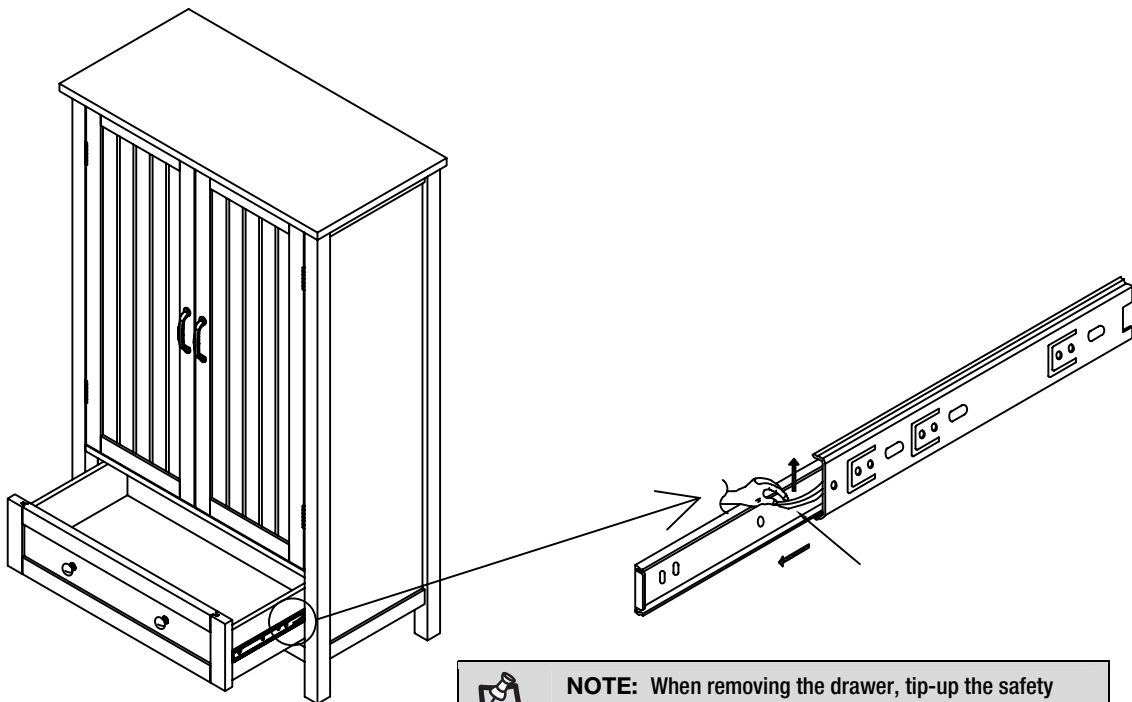
Assembly (continued)


8 Inserting the drawer

- Insert the drawer into the assembled body as shown.



 **NOTE:** Make sure the slide piece is at the front end of the glide when installing the drawer into the body.

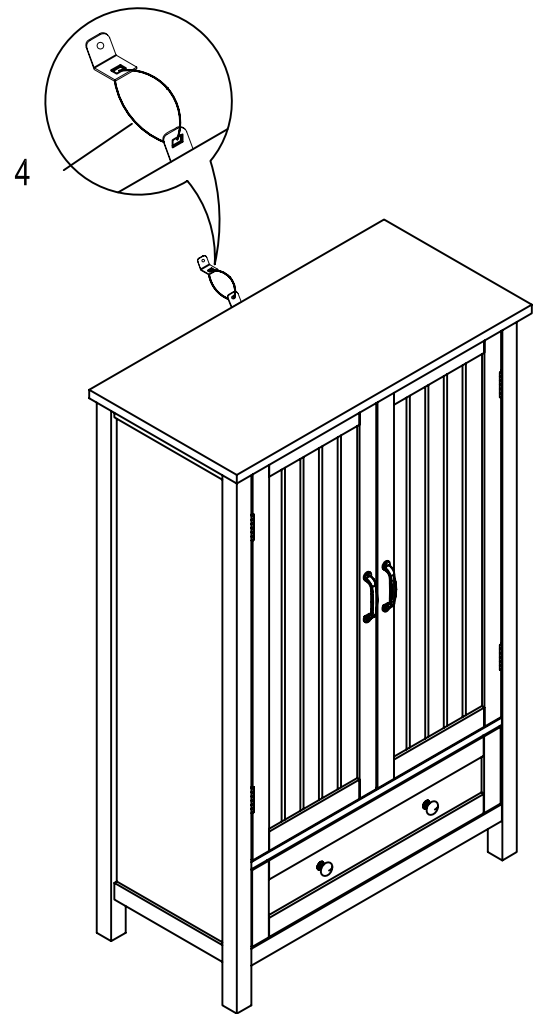
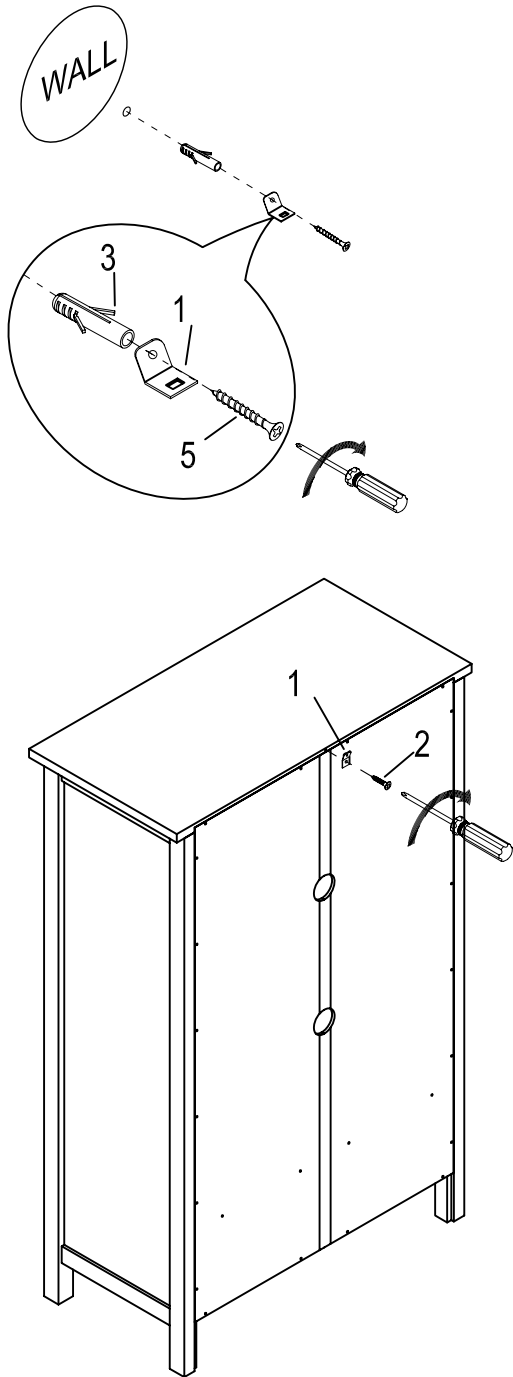






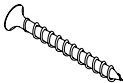
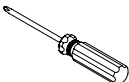
 **NOTE:** When removing the drawer, tip-up the safety release tab to remove the drawer from the body.

Assembly (continued)

9 Finalizing the assembly

- Install the anti-tipping hardware as shown.



Rectangle metal plate (1) x 2	1/2 in. Flat head screw (2) x 1	Plastic anchor (3) x 1	Plastic band (4) x 1	1-1/2 in. Flat head screw (5) x 1	Small head
					RR 

StyleWell.™

Questions, problems, missing parts?
Before returning to the store, call Customer Service
8 a.m. – 7 p.m., EST, Monday – Friday, 9 a.m. – 6 p.m., EST, Saturday

1-877-527-0313

HOMEDEPOT.COM

Retain this manual for future use.