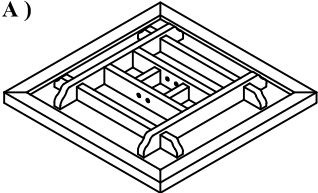

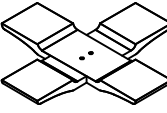


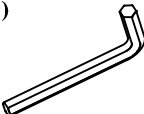

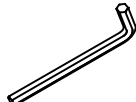





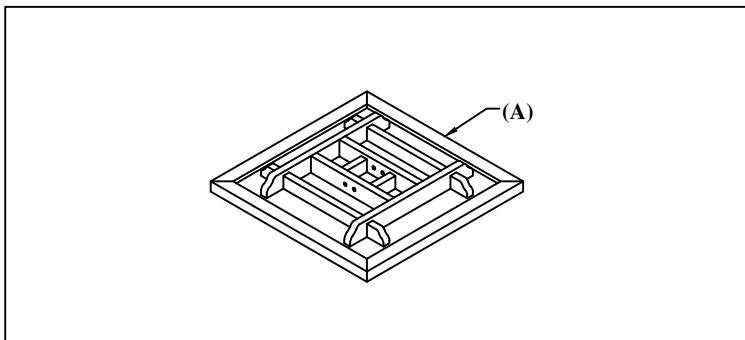
HOME DECORATORS COLLECTION

ASSEMBLY INSTRUCTIONS FOR SKU NO. 1002964514, 1002964513, 1002964482 & 1002964483 ALDRIDGE ACCENT TABLE

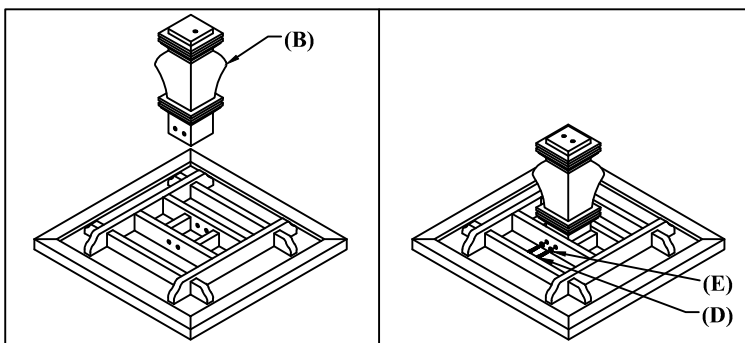
<p>(A)</p>  <p>TOP 1 Pcs</p>	<p>(B)</p>  <p>LEG 1 Pcs</p>	<p>(C)</p>  <p>BOTTOM BASE 1 Pcs</p>	<p>(D)</p>  <p>ALLEN BOLT 8 X 60 MM 6 Pcs</p>	<p>(E)</p>  <p>WASHER 8 X 22 MM 6 Pcs</p>	<p>(F)</p>  <p>ALLEN KEY 6 MM 1 Pcs</p>
<p>(G)</p>  <p>SCREW 6 X32 MM 4 Pcs</p>	<p>(H)</p>  <p>ALLEN KEY 4 MM 1 Pcs</p>	<p>(I)</p>  <p>PEN HEAD ALLEN BOLT 6 X 20 MM 2 Pcs</p>	<p>(J)</p>  <p>WASHER 8 X 17 MM 2 Pcs</p>	<p>(K)</p>  <p>METAL L-ANGLE 50 X 25 X 25 MM 2 Pcs</p>	

CARE INSTRUCTIONS

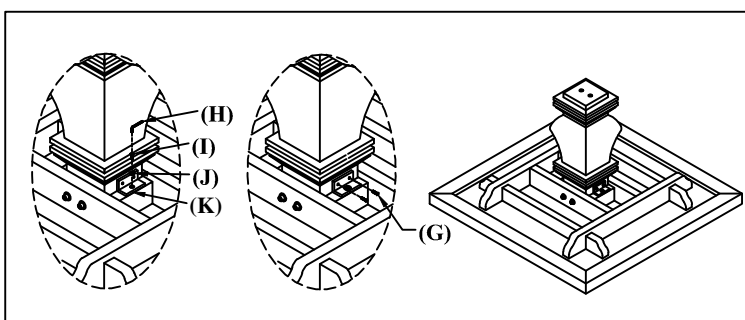
Hardware may loosen overtime. Periodically check that all connections are tight. Wipe with a soft, dry cloth. To protect finish, avoid the use of chemicals and household cleaners. All hot serving dishes should be placed on a pad. Any liquid spilled onto the furniture should be cleaned up immediately with a damp cloth.



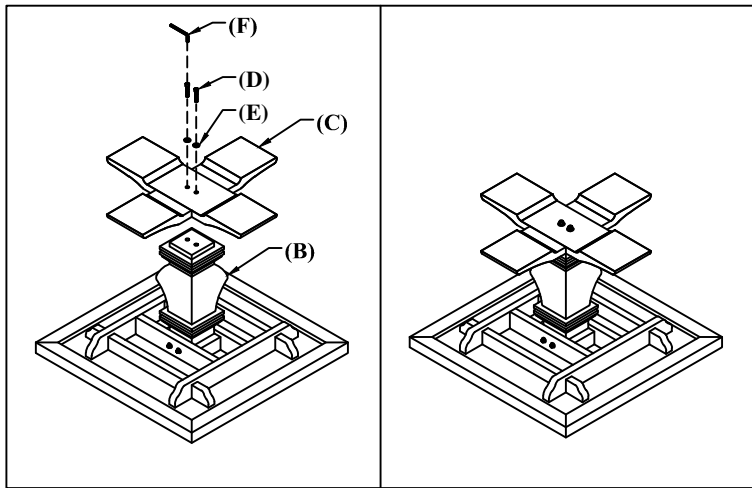
Step - 01 : Place the table top (A) upside down on a clean surface.



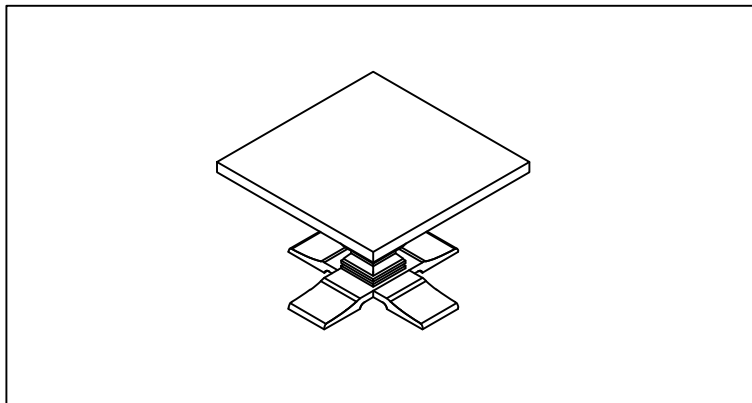
Step -02 Insert the leg (B) into the coordinating slots in the table frame of top (A). Align the holes in the leg and the frame of top (A). Insert allen bolts (D) with washers (E) and tighten every allen bolt (D) with provided allen key (F).



Step - 03 Use allen key (H) to tighten the metal angle (K) with pen head allen bolt (I) and washer (J). Do not fully tighten. Use a screw driver to tighten metal angle (K) to the leg (B) with wooden screw (G). Once completed, tighten allen bolt (I) fully.



Step - 04 Place the table base (C) on the leg (B) and secure with allen bolts (D) and washers (E). Tighten with provided allen key (F).



Step -05 Turn the table upright. It is ready for use.