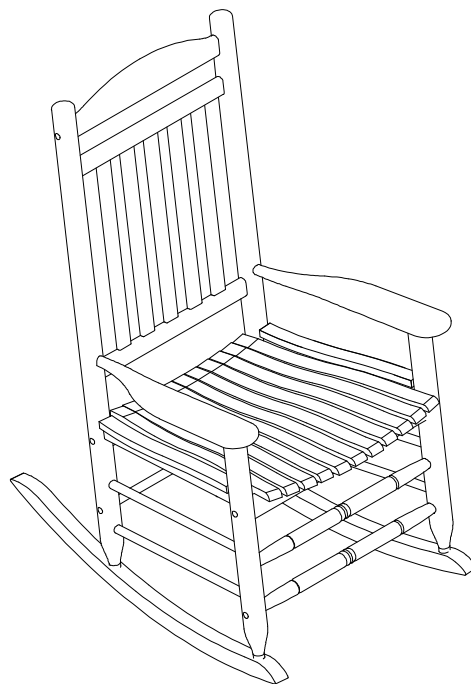


Item# 1004 631 861/ 1004 658 347
Model# A211030300

HAMPTON BAY[®]

USE AND CARE GUIDE

WOOD SLAT ROCKING CHAIR



FOR QUICK &
EASY ASSEMBLY
FIND 3D INSTRUCTIONS
FOR THIS PRODUCT IN

BILT.[®]

DOWNLOAD THE FREE APP



Questions, problems, missing parts? Before returning to the store,
call Hampton Bay Customer Service
8 a.m. - 7 p.m., EST, Monday-Friday, 9 a.m. - 6 p.m., EST, Saturday

1-855-HD-HAMPTON

HAMPTONBAY.COM

THANK YOU

We appreciate the trust and confidence you have placed in Hampton Bay through the purchase of this Chair. We strive to continually create quality products designed to enhance your home. Visit us online to see our full line of products available for your home improvement needs. Thank you for choosing Hampton Bay!

Table of Contents

Table of Contents.....	2	Pre-Assembly.....	3
Important Safety Instructions.....	2	Planning assembly.....	3
Warranty.....	2	Hardware Included.....	3
What is Covered.....	2	Package Contents.....	4
What is Not Covered.....	2	Assembly.....	5
		Care and Cleaning.....	7

Important Safety Instructions

READ ALL INSTRUCTIONS BEFORE USE

To reduce the risk of injury to persons:

1. Close supervision is necessary when this furnishing is used by, or near children, or disabled persons.
2. Use this furnishing only for its intended use as described in these instructions. Do not use attachments not recommended by the manufacturer.
3. Some parts may contain sharp edges. Wear protective gloves.
4. Please count the parts before assembly.
5. Set up your furniture properly. Ensure that all parts are assembled properly and fully tightened as per instructions. When placing in the desired location, ensure that all legs are resting on the same surface. You may adjust the leg levelers as required to ensure that the item stands in a level position.

6. Examine occasionally to ensure that there are no loose parts. If loose parts are found, they must be re-tightened fully before additional use.



DANGER: Keep children and parts away from the assembly area.



WARNING: To avoid destroying the finish, please handle the surface by using a soft cloth instead of your bare hands. Due to the nature of iron, surface oxidation (rusting) will occur once these protective coatings are scratched. We recommend immediate touch-up with rust inhibiting paint (not included).



CAUTION: Do NOT over tighten any of the bolts or nuts.

Warranty

1 YEAR WARRANTY

WHAT IS COVERED

This limited warranty is extended to the original purchaser and applies to defects in materials and workmanship of your item provided the item is maintained with care and used only for personal, residential purposes. The item is warranted to be free from defects in material or workmanship for a period of 1 year.

WHAT IS NOT COVERED

We do not reimburse for transportation of delivery costs, or compensate the individual or any outside party for assembling or disassembling the product.

Contact the Customer Service Team at 1-855-HD-HAMPTON or visit www.hamptonbay.com.

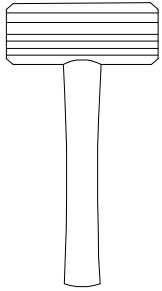
Production Number: 2021100339

Pre-Assembly

PLANNING ASSEMBLY

Before beginning assembly of this product, make sure all parts are present. Compare parts with the Hardware Included and Package Contents lists. If any part is missing or damaged, do not attempt to assemble the product. Contact customer service for replacement parts.

TOOLS REQUIRED



Rubber mallet to fit the part (if needed)



Phillips head screwdriver (not included)

HARDWARE INCLUDED



NOTE: Hardware not shown to actual size.



--AA



--BB



--CC



--DD

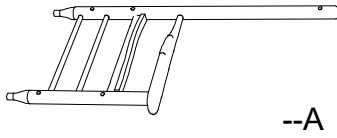


--EE

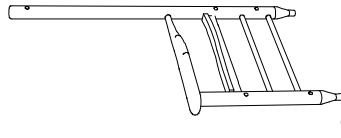
Part	Description	Part Number	Quantity	Additional Hardware
AA	Bolt M6*45	H010030059	10	1
BB	Wood Plug	P005100099	10	1
CC	Allen Key 4*60	H090030007	1	0
DD	Glue	R100010006	1	0
EE	Screw ST4.2*45	H030070011	4	1

Pre-Assembly (continued)

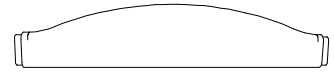
PACKAGE CONTENTS



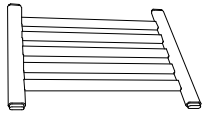
--A



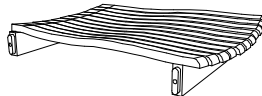
--B



--C



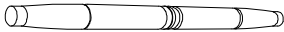
--D



--E



--F



--G



--H



--I

Part	Description	Part Number	Quantity
A	Right side frame	P004500010	1
B	Left side frame	P004500011	1
C	Head rest	P000500806	1
D	Back rest	P004000118	1
E	Seat	P001600116	1
F	Rocker runners	P005400236	2
G	Front upper spindle	P005000274	1
H	Front lower spindle	P005000275	1
I	Back spindle	P005000276	1

Assembly

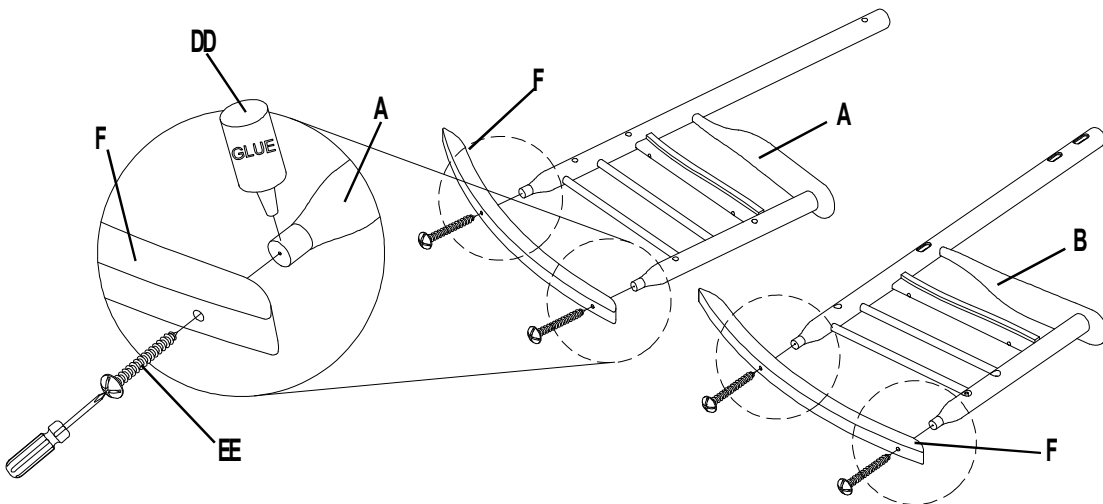
1 Attaching the Bottom Legs and Left/Right Legs

- Attach the rocker runner (F) to the right side frame (A) using a small drop of glue (DD) and screws (EE). Tighten the screws (EE) with a Phillips head screwdriver (not included). Repeat with the left side frame (B) and rocker runner (F).



- **NOTE:** To avoid destroying the finish, do not put the parts on the ground directly. Ensure you attach the plastic washers in each join part of the chair. Failure to attach these plastic washers will cause the chair to not fold properly and damage to the chair.

DD	1
EE	4



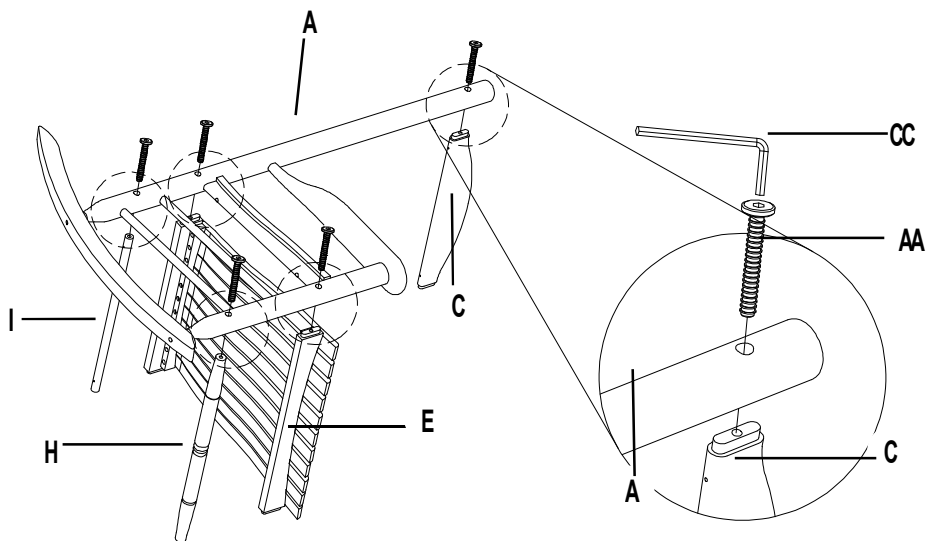
2 Attaching the Left Leg

- Attach the seat (E), head rest (C), and spindles (H and I) to the left leg assembly (A) using the bolts (AA). Tighten with the Allen key (CC).



- **NOTE:** To avoid destroying the finish, do not put the parts on the ground directly. Ensure you attach the plastic washers in each wood join part of the chair. Failure to attach these plastic washers will cause the chair to not fold properly and damage to the chair.

AA	5
CC	1



Assembly (continued)

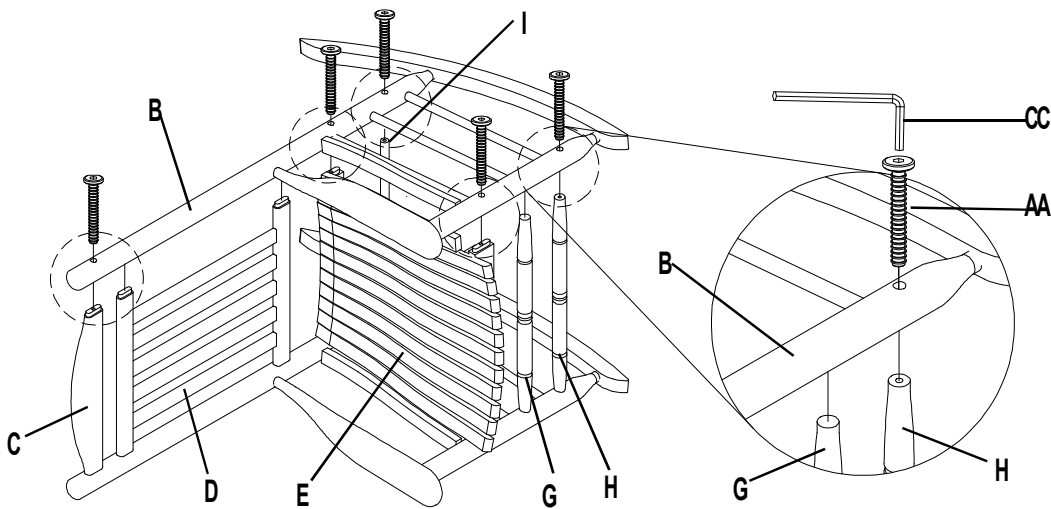
3 Attaching the Right Leg

- Attach the seat (E), head rest (C), back rest (D), and spindles (H, G, and I) to the right leg assembly (B) using the bolts (AA). Tighten with the Allen key (CC).



NOTE: To avoid destroying the finish, do not put the parts on the ground directly. Ensure you attach the plastic washers in each wood join part of the chair. Failure to attach these plastic washers will cause the chair to not fold properly and damage to the chair.

AA	5
CC	1



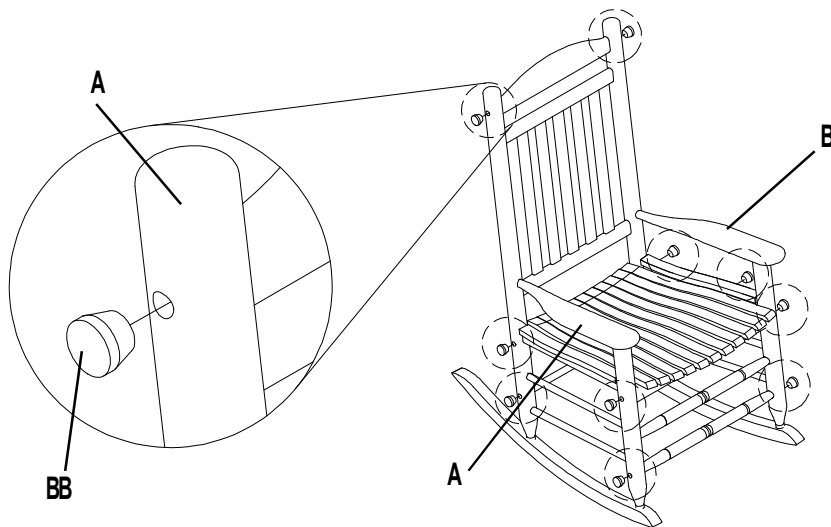
4 Attaching Wooden Plugs

- Attach the wood plugs (BB) as shown.



NOTE: To avoid destroying the finish, do not put the parts on the ground directly. Ensure you attach the plastic washers in each wood join part of the chair. Failure to attach these plastic washers will cause the chair to not fold properly and damage to the chair.

BB	10
----	----



Care and Cleaning

- Before using, clean the Chair completely with a soft dry towel.
- When not in use, store in a cool, dry area.

HAMPTON BAY®

Questions, problems, missing parts? Before returning to the store,
call Hampton Bay Customer Service
8 a.m. - 7 p.m., EST, Monday-Friday, 9 a.m. - 6 p.m., EST, Saturday

1-855-HD-HAMPTON

HAMPTONBAY.COM

Retain this manual for future use.
