

OVATION® 48" CURVED SHOWER

2602ST3.011 OVATION SHOWER BASE
Center Drain

Features:

- Curved design for more room while showering
- Acrylic with fiberglass reinforcement
- Low 3.25" threshold for easy step over
- Accomodates curved shower door
- Recommended for use with Ovation shower walls (sold separately)
- Integral three-sided, tiling/water retention flange
- Center drain outlet
- Shower drain not included
- Textured floor helps prevent slips and falls
- Bright, Arctic White color
- Limited Lifetime warranty

Nominal Dimensions:

48" x 30"* x 3-1/4"

(1912 x 762* x 82mm)

* Center curves out to 33-1/2" (851mm) at widest point

Compliance Certifications -

Meets or Exceeds the Following Specifications:

- CSA B-45.5-11 / IAPMO Z124-2011

2603SW.011 OVATION SHOWER WALLS

Wall Set Features:

- High-gloss polystyrene designed specifically for Ovation shower base
- Six deep shelves for storage
- Recommended for use with Ovation base and shower door
- Mounts directly to studs
- Limited Lifetime Warranty

Nominal Dimensions:

48" x 30" x 72"

(1219 x 813 x 1829mm)

SEE NEXT PAGE FOR ROUGHING-IN DIMENSIONS
AND PRODUCT SPECIFICATIONS



Ovation curved shower base shown.

To Be Specified - Required:

- Shower Faucet: (specify finish)
- Drain: 751819-XXX (specify finish)

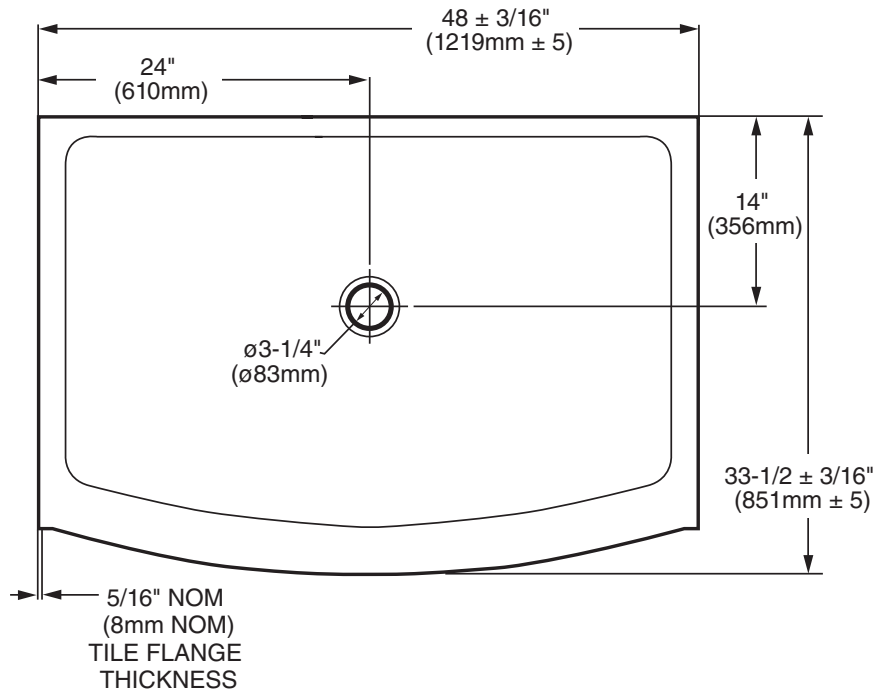
To Be Specified - Optional:

- Shower Walls: 2603SW.011
- Ovation Shower Door: AM00548.400

For color/finish availability and other faucet choices, please see the Product Selector and Pricing Guide.



Ovation curved shower base
with Ovation wall set shown.



GENERAL SPECIFICATIONS FOR 2602ST3 BASE	
INSTALLED SIZE _____	48 x 33-1/2 x 3-1/4 In. (1219 x 851 x 82mm)
WEIGHT _____	31.4 Lbs. (14.2 Kg)
SHOWER WELL AT SUMP _____	42-5/8 x 27 In. (1082 x 684mm)
SHOWER WELL AT RIM _____	44-1/8 x 28-1/2 In. (1121 x 725mm)
PTS. _____	1.9
CUBE (FT ³) _____	4.9

NOTES:

REFER TO INSTALLATION INSTRUCTIONS SUPPLIED WITH PRODUCT FOR ADDITIONAL INFORMATION.

FITTINGS NOT INCLUDED AND MUST BE ORDERED SEPARATELY.

PROVIDE SUITABLE REINFORCEMENT FOR ALL SUPPORTS.

IMPORTANT: Dimensions of fixtures are nominal and may vary within the range of tolerances established by ANSI Standard Z124-2011. These measurements are subject to change or cancellation. No responsibility is assumed for use of superseded or voided leaflet.