

### Mounting Options (continued)

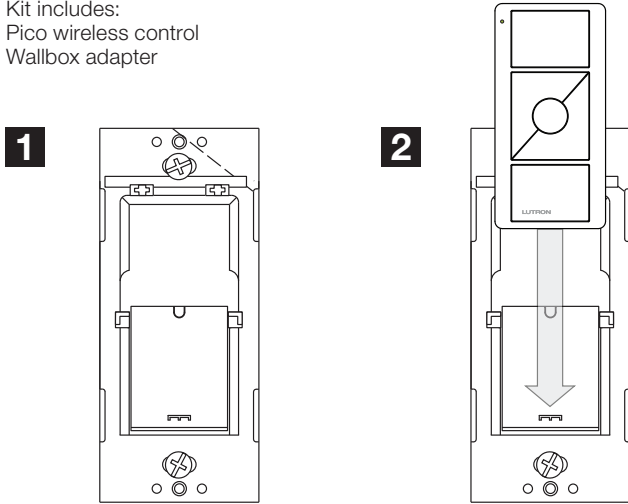
#### Surface Mounting Kits (continued)

##### Wall-Mounting Kit (BAA Compliant)\*

Model: UPJ2-XXXX-XX-L01  
(sold separately)

Kit includes:

- Pico wireless control
- Wallbox adapter

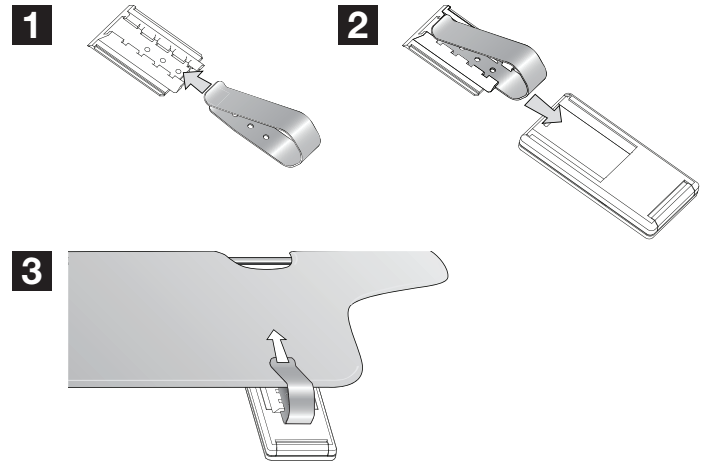


\* For a complete list of BAA/TAA compliant products please visit our website at [Lutron.com/BAA](http://Lutron.com/BAA) and select "Download BAA Product List".

#### Vehicle Mounting

##### Mounting to a Car Visor

Model: PICO-CARVISOR-CL  
(sold separately)



The Lutron logo, Lutron, Pico, Caséta, Quantum, Maestro, Maestro Wireless, myRoom, Energi Savr Node, Vive, PowPak, GRAFIK Eye, RadioRA, Satin Colors, Serena, Sivoia, HomeWorks, Claro, and the design of the Pico remote are trademarks or registered trademarks of Lutron Electronics Co., Inc. in the US and/or other countries.

Job Name:	Model Numbers:	
<input type="text"/>	<input type="text"/>	<input type="text"/>
Job Number:	<input type="text"/>	<input type="text"/>