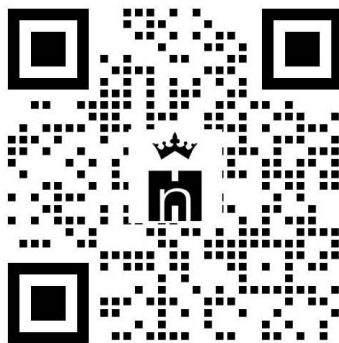


ASSEMBLY INSTRUCTIONS



Chaise Lounge with Cushion



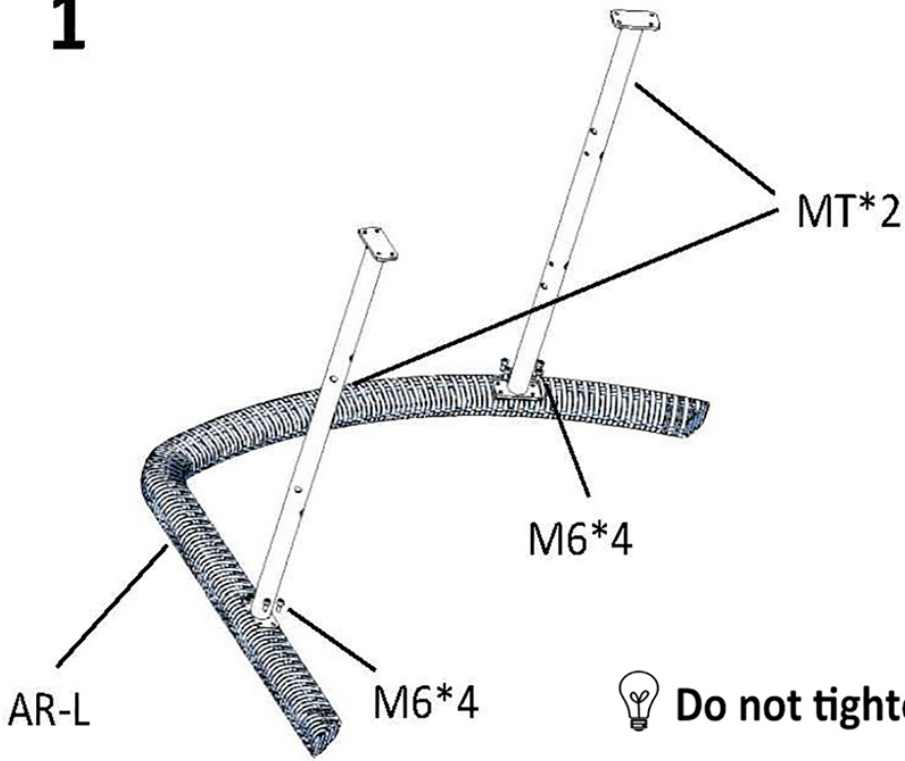
SCAN FOR ASSEMBLY VIDEO AND ONLINE
INSTRUCTION MANUAL

CHAISE LOUNGE ASSEMBLY PARTS

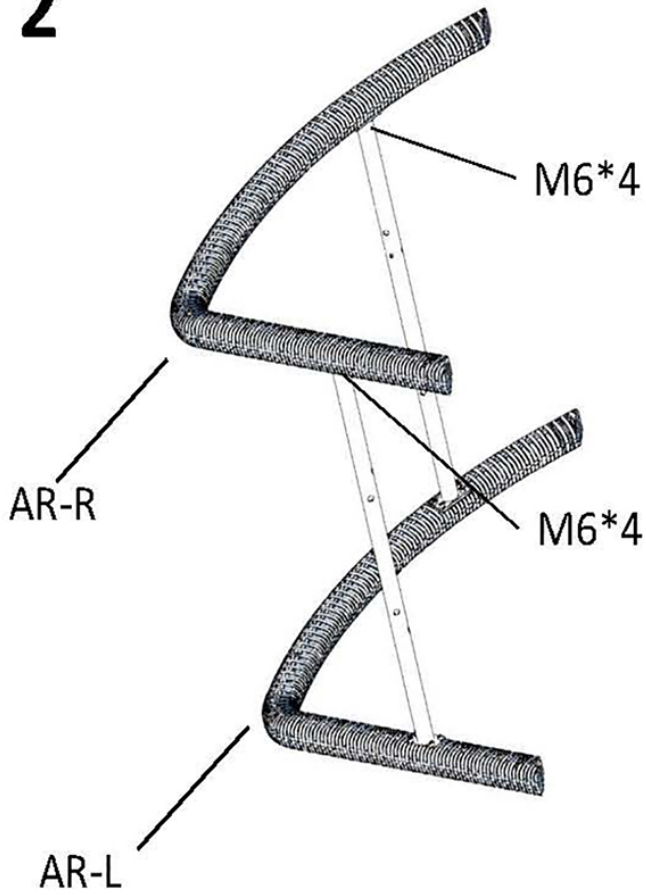
PART	DESCRIPTION	IMAGE	QTY
68020-001 (BR) 68020-002 (BH) 68020-007 (SBR)	Head Area of Body (Pre-assembly)		1
68020-003 (BF) 68020-006 (FF) 68020-008 (C-FF)	Foot Area of Body (Pre-assembly)		1
68020-004 (AR-L)	Left Armrest		1
68020-005 (AR-R)	Right Armrest		1
68020-009 (PS)	Plastic Screw		2
68020-010 (PW)	Plastic Wrench		1
68020-011 (MT)	Metal Tube		2
68020-012 (M8)	Bolt(M8*45mm)		4
68020-013 (M6)	Bolt(M6*16mm)		18
68020-014 (M8-AK)	Allen Key(M8)		1
68020-015 (M6-AK)	Allen Key(M6)		1
68020-Cush	Cushion		1

*Note: Recommended for two people to finish the assembly.

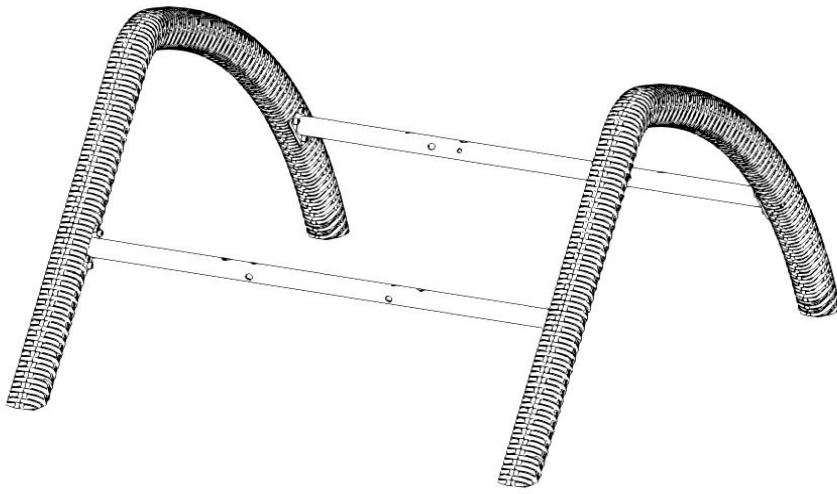
1



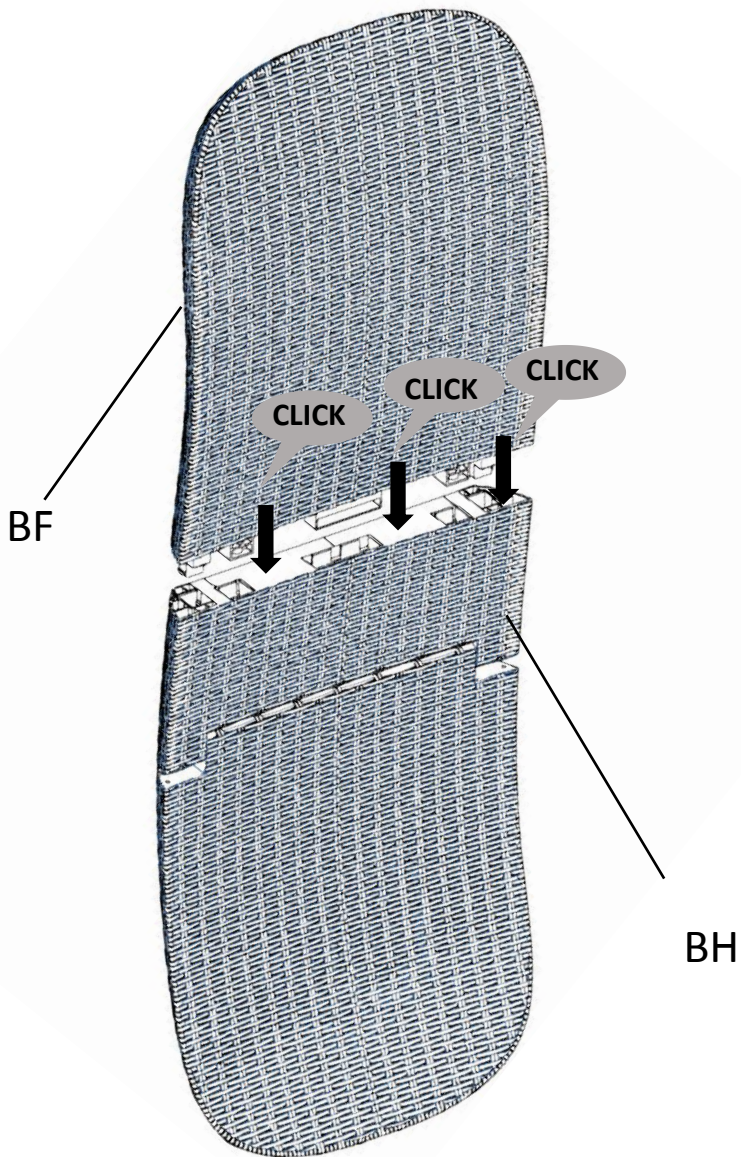
2



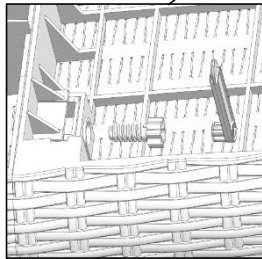
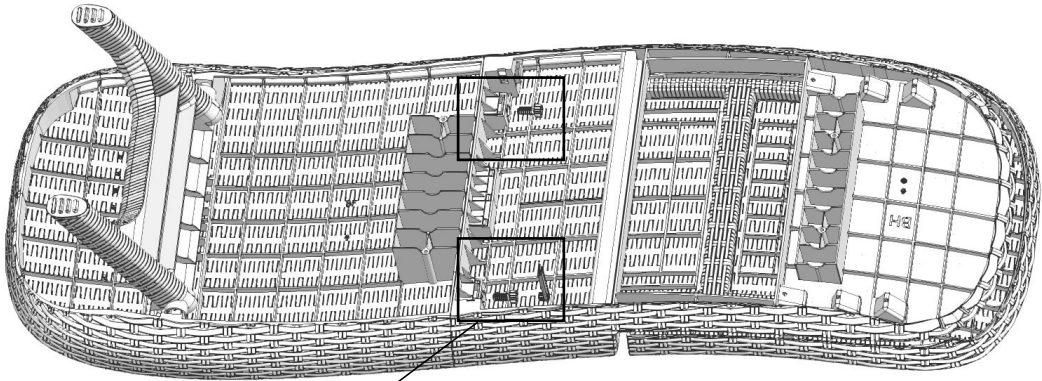
3



4

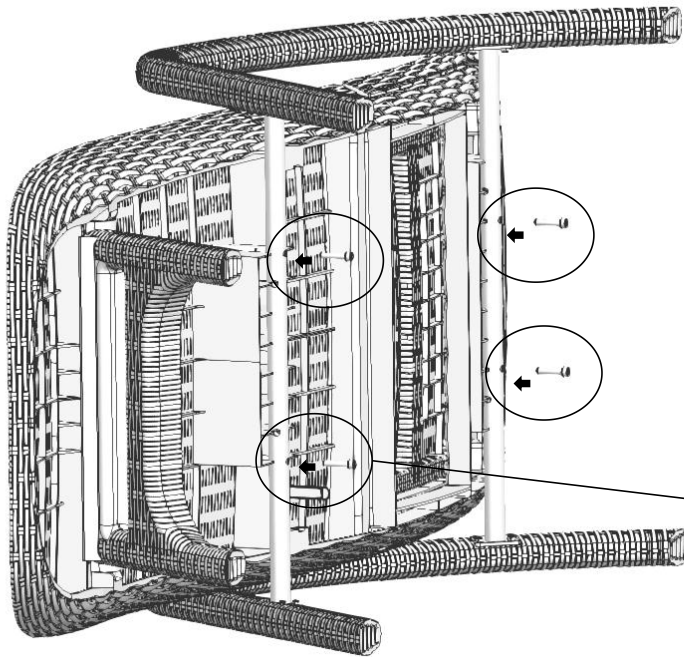


5

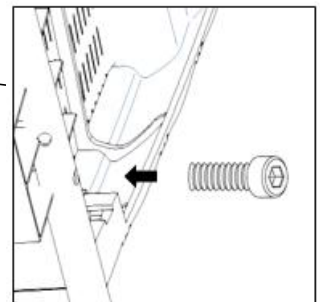


PS*2

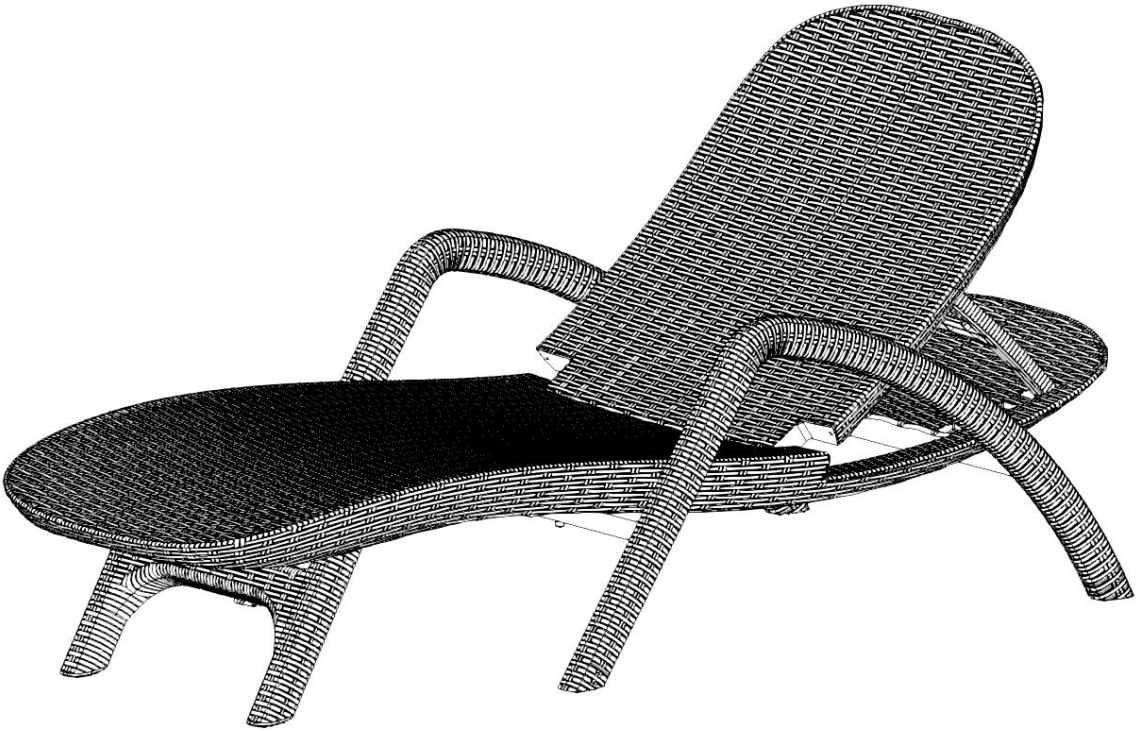
6



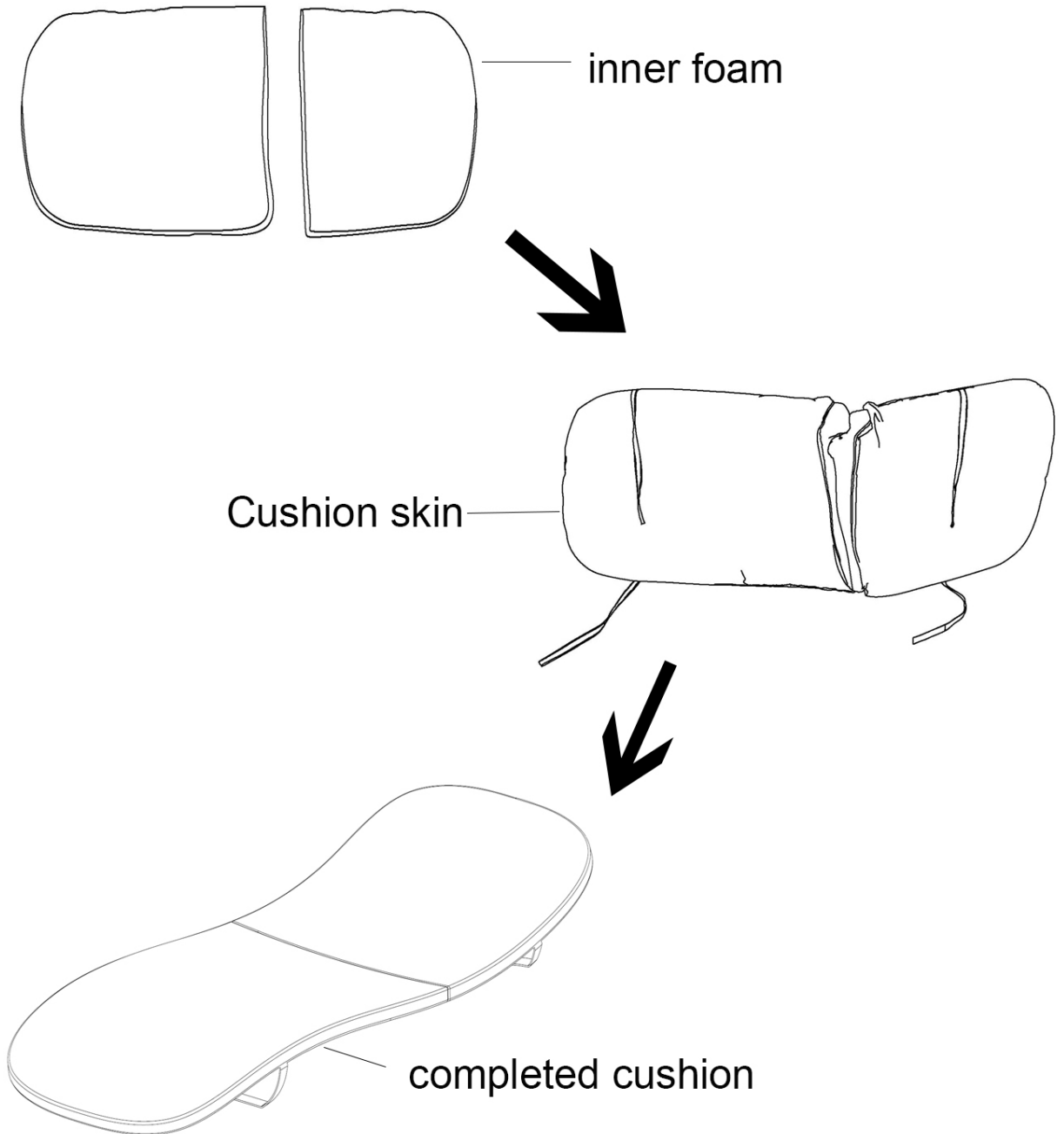
M8*4



7



8 Assemble the cushion



9

