

ASSEMBLY INSTRUCTIONS

3 IN. HAWTHORNE FILLER



Questions, problems, missing parts?
Before returning to the store, call Home Decorators Collection Customer Service.
8 a.m. – 7 p.m., EST, Monday – Friday, 9 a.m. – 6 p.m., EST, Saturday

1-800-998-7021

HOMEDEPOT.COM/HOMEDECORATORS

THANK YOU

We appreciate the trust and confidence you have placed in Home Decorators Collection through the purchase of this filler. We strive to continually create quality products designed to enhance your home. Visit us online to see our full line of products available for your home improvement needs. Thank you for choosing Home Decorators Collection!

Table of Contents

Table of Contents	2	Pre-assembly	3
Safety Information	2	Planning Assembly	3
Warranty	2	Tools Required	3
LIMITED LIFETIME WARRANTY	2	Pre-assembly (continued)	4
What is Covered	2	Package Contents	4
What is Not Covered	2	Installation	5
California and Minnesota Residents	3	Maintenance	6
California residents	3	Care and Cleaning	6
Minnesota residents	3		

Safety Information



WARNING

- Two people are required for safe installation. Take extra precautionary measures to ensure a secure grip on the filler when lifting.
- Read these instructions carefully and keep in a safe place.
- Do not over tighten connectors (screws, bolts, etc.) Overtightening can lead to product damage.
- Assembly needs to be carried out by a qualified person. Wrong assembly can lead to the furniture / object topples or falls resulting in personal injury or damage.
- Screws or fittings are not included. Choose screws and fittings that suits your wall and have sufficient holding power. If you are uncertain, contact your local specialized retailer.



CAUTION

- The bathroom floor must be finished prior to installation of the filler.
- Be sure to check all packing materials carefully for small parts that may have come loose inside the carton during shipment. If parts are missing, contact THE HOME DEPOT to obtain any missing parts.

Warranty

LIMITED LIFETIME WARRANTY

WHAT IS COVERED

Home Decorators Collection products are manufactured with superior quality standards and workmanship and are backed by our limited lifetime warranty. Home Decorators Collection products are warranted to the original consumer purchaser to be free of defects in materials or workmanship. We will replace FREE OF CHARGE any product or parts that proves defective. Simply, return the product / part to any of The Home Depot retail locations or call 1-800-986-3460 to receive the replacement item. Proof of purchase (original sales receipt) from the original consumer purchaser must be made available for all Home Decorators Collection warranty claims.

WHAT IS NOT COVERED

This warranty excludes incidental/inconsequential damages and failures due to misuse, abuse or normal wear and tear. This warranty excludes all industrial, commercial & business usage, whose purchasers are hereby, extended a limited lifetime warranty from the date of purchase, with all other terms of this warranty applying except the duration of warranty. Some states and provinces do not allow the exclusion or limitation of incidental or consequential damages, so the above limitations may not apply to you. This warranty gives you specific legal rights and you may also have other rights that vary from state to state and province to province. Please see a store or contact 1-800-986-3460 for more details.

Contact the Customer Service Team at 1-800-986-3460 or visit www.HOMEDEPOT.COM/HOMEDECORATORS.

California and Minnesota Residents

CALIFORNIA RESIDENTS



WARNING THIS PRODUCT CAN EXPOSE YOU TO STYRENE / WOOD DUST WHICH IS KNOWN TO THE STATE OF CALIFORNIA TO CAUSE CANCER. GO TO WWW.P65WARNINGS.CA.GOV/PRODUCTS

MINNESOTA RESIDENTS

“IMPORTANT HEALTH NOTICE.

SOME OF THE BUILDING MATERIALS USED IN THIS HOME (OR THESE BUILDING MATERIALS) EMIT FORMALDEHYDE. EYE, NOSE, AND THROAT IRRITATION, HEADACHE, NAUSEA AND A VARIETY OF ASTHMA-LIKE SYMPTOMS, INCLUDING SHORTNESS OF BREATH, HAVE BEEN REPORTED AS A RESULT OF FORMALDEHYDE EXPOSURE. ELDERLY PERSONS AND YOUNG CHILDREN, AS WELL AS ANYONE WITH A HISTORY OF ASTHMA, ALLERGIES, OR LUNG PROBLEMS, MAY BE AT GREATER RISK. RESEARCH IS CONTINUING ON THE POSSIBLE LONG-TERM EFFECTS OF EXPOSURE TO FORMALDEHYDE.

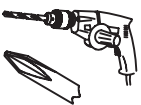
REDUCED VENTILATION MAY ALLOW FORMALDEHYDE AND OTHER CONTAMINANTS TO ACCUMULATE IN THE INDOOR AIR. HIGH INDOOR TEMPERATURES AND HUMIDITY RAISE FORMALDEHYDE LEVELS. WHEN A HOME IS TO BE LOCATED IN AREAS SUBJECT TO EXTREME SUMMER TEMPERATURES, AN AIR-CONDITIONING SYSTEM CAN BE USED TO CONTROL INDOOR TEMPERATURE LEVELS. OTHER MEANS OF CONTROLLED MECHANICAL VENTILATION CAN BE USED TO REDUCE LEVELS OF FORMALDEHYDE AND OTHER INDOOR AIR CONTAMINANTS. IF YOU HAVE ANY QUESTIONS REGARDING THE HEALTH EFFECTS OF FORMALDEHYDE, CONSULT YOUR DOCTOR OR LOCAL HEALTH DEPARTMENT.”

Pre-assembly

PLANNING ASSEMBLY

To ensure your assembly goes smoothly, please read these instructions carefully and review the recommended tools and hardware before you begin.

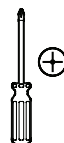
TOOLS REQUIRED



Electric drill
with #2 drill bit



Safety
goggles



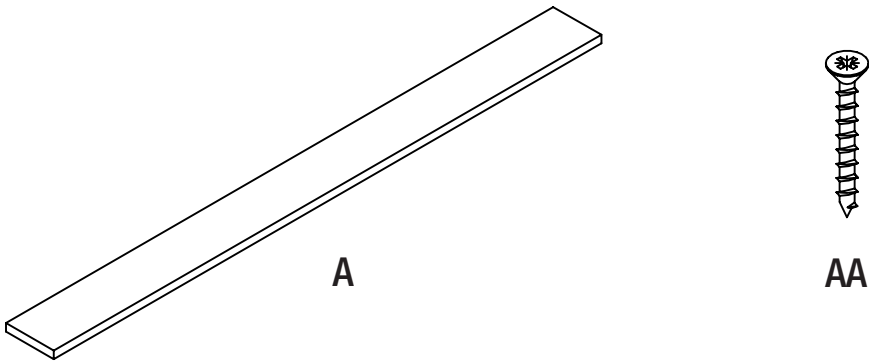
Phillips
screwdriver



Measuring
tape

Pre-assembly (continued)

PACKAGE CONTENTS

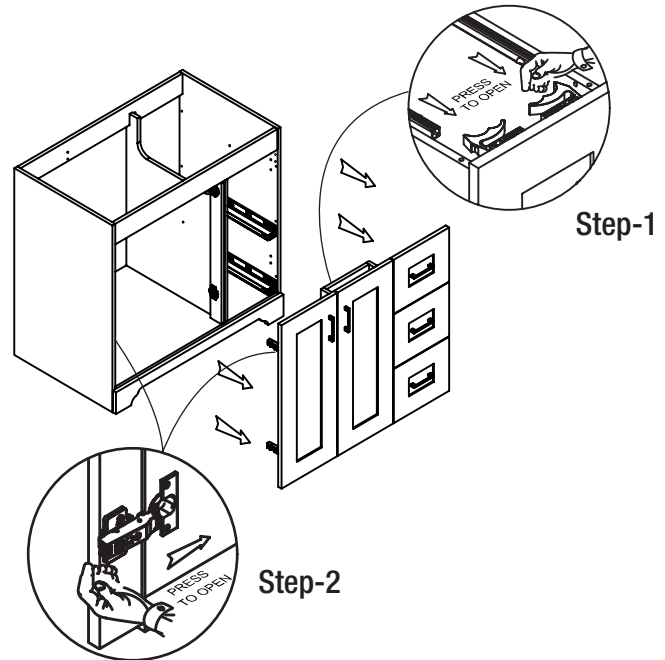


Part	Description	Quantity
A	Filler	1
AA	4x25mm screw	3

Installation

1 Removing the doors and drawers

- Before installing the filler, remove the doors and drawers from the vanity base.
- Open each drawer as far as possible.
- Push the bracket lever underneath the drawer box (refer to step-1 image) and disconnect the drawer box from the slide.
- For each door press to open the hinges to remove the doors (refer to step-2 image).

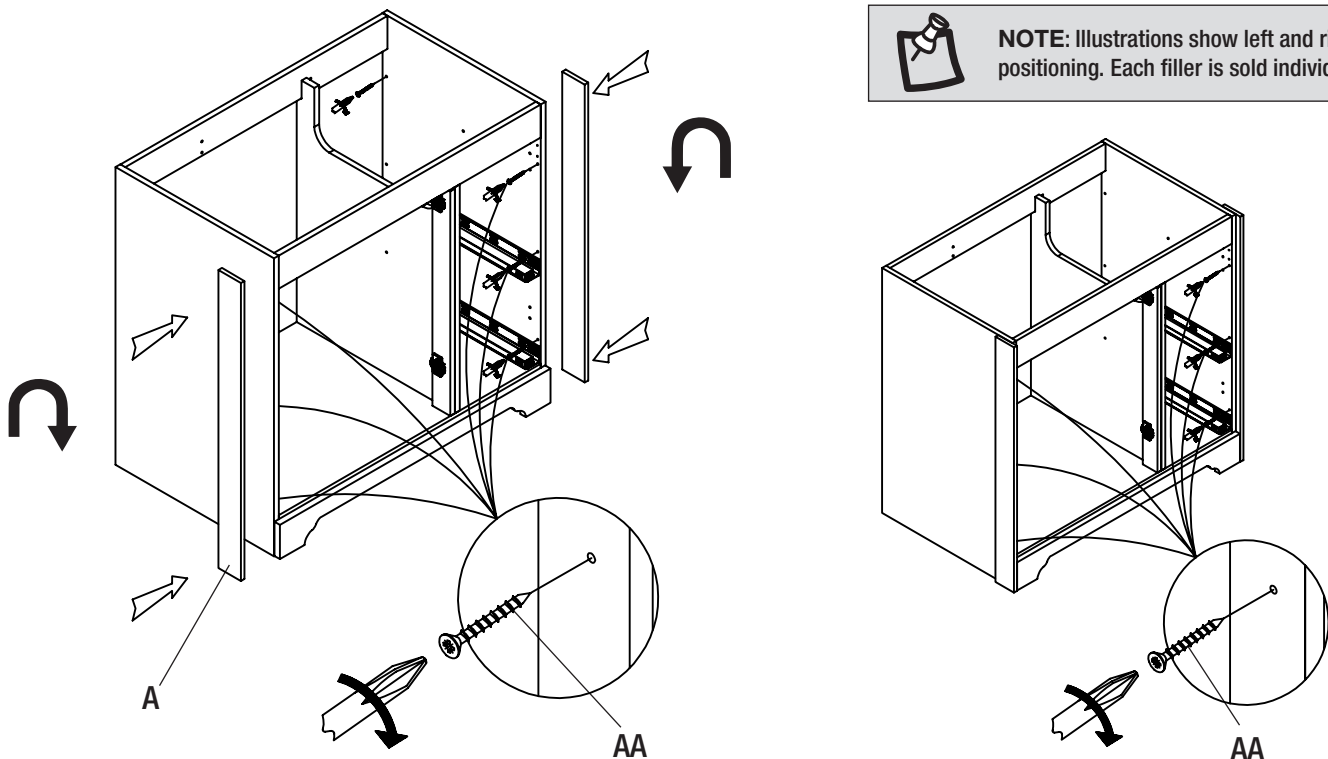


2 Securing the filler to the vanity

- Align the filler (A) to the side of the vanity base.
- Rotate the filler (A) upside down for left/right configurations.
- Using a drill, insert 4x25mm screws (AA) into the pre-drilled holes in the inside of vanity base (as shown in illustrations).



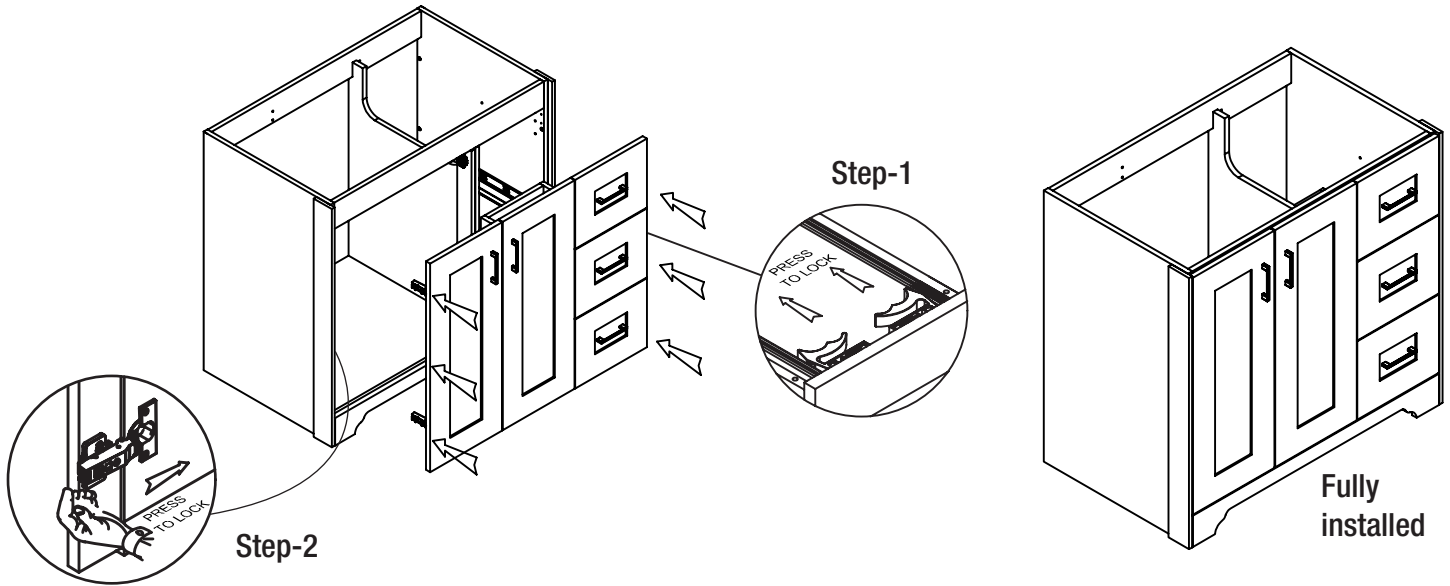
NOTE: Illustrations show left and right positioning. Each filler is sold individually.



Installation (continued)

3 Re-installing the doors and drawers

- To install the drawers, open each drawer slide and place the drawer box on the slide and push forward to lock with the slide.
- To install the doors, position the door to the vanity so its hinge plates align with the cabinet. Press each hinge to the cabinet to lock the door.



Maintenance

- To maintain the beauty of the furniture finish, avoid placing the filler in direct sunlight.
- Avoid exposing the filler to extreme temperatures by installing away from heat and air vents.

Care and Cleaning

- Dust frequently with a clean, soft and dry cloth.
- Wipe away any water or liquid spills on the filler immediately with a clean, soft and dry cloth.

**HOME
DECORATORS
COLLECTION®**

**Questions, problems, missing parts?
Before returning to the store, call Home Decorators Collection Customer Service.
8 a.m. - 7 p.m., EST, Monday - Friday, 9 a.m. - 6 p.m., EST, Saturday**

1-800-998-7021

[HOMEDEPOT.COM/HOMEDECORATORS](https://www.homedepot.com/homedecorators)

Retain this manual for future use.