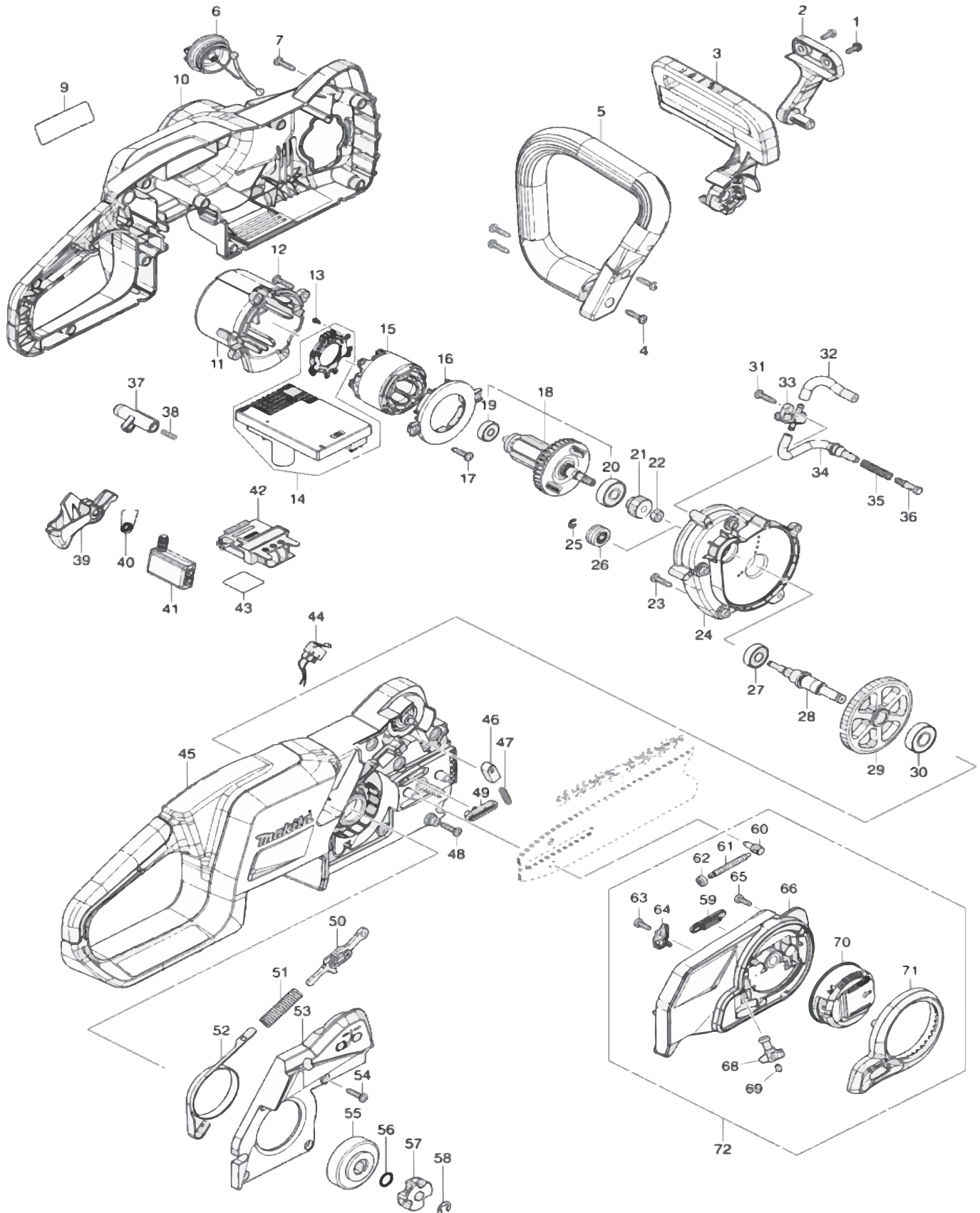




XCU11



Products with multiple versions are listed in subsiding order with the newest version on top not indented.

Section	Fig. No.	Part No.	Description	XCU11	Tech Bulletin	Notes
1	1	911118-1	PAN HEAD SCREW M4X12	2		
1	2	413J87-7	FRONT HAND GUARD RETAINER	1		
1	3	141K81-2	FRONT HAND GUARD COMPLETE	1		
1	4	266326-2	TAPPING SCREW 4X18	4		
1	5	413J75-4	FRONT HANDLE	1		
1	6	162C20-1	TANK CAP COMPLETE	1		
1		213A30-0	O-RING 29.5	1		INC WITH FIG 6
1	7	266326-2	TAPPING SCREW 4X18	9		
1	10	183W83-4	HOUSING SET	1		INC. 45
1		263005-3	RUBBER PIN 6	2		INC WITH FIG 10
1	11	413J76-2	MOTOR HOUSING	1		
1	12	266326-2	TAPPING SCREW 4X18	4		
1	13	652119-7	PAN HEAD SCREW M2X6	6		
1	14	620J78-3	CONTROLLER	1		
1	15	629B62-7	STATOR	1		
1	16	413J86-9	BAFFLE PLATE	1		
1	17	266326-2	TAPPING SCREW 4X18	2		
1	18	519766-6	ROTOR ASS'Y	1		INC. 19,20
1	19	211016-2	BALL BEARING 626LLB	1		
1	20	211092-6	BALL BEARING 629DDW	1		
1	21	227989-9	SPUR GEAR 16	1		
1	22	252186-8	HEX. NUT M6	1		
1	23	266326-2	TAPPING SCREW 4X18	5		
1	24	413J72-0	BEARING HOUSING	1		
1	25	961011-9	STOP RING E-4	1		
1	26	226884-0	WORM GEAR	1		
1	27	211032-4	BALL BEARING 608ZZ	1		
1	28	327A29-0	SPINDLE	1		
1	29	227990-4	SPUR GEAR 73	1		
1	30	211131-2	BALL BEARING 6001DDW	1		
1	31	266326-2	TAPPING SCREW 4X18	1		
1	32	422914-7	OIL TUBE 3-60	1		
1	33	141N25-0	OIL PUMP COMPLETE	1		
1	34	422913-9	OIL TUBE 3-105	1		

Products with multiple versions are listed in subsiding order with the newest version on top not indented.

Section	Fig. No.	Part No.	Description	XCU11	Tech Bulletin	Notes
1	35	231975-4	SPRING	1		
1	36	452666-6	NIPPLE	1		
1	37	413J88-5	LOCK OFF BUTTON	1		
1	38	231469-9	COMPRESSION SPRING 4	1		
1	39	413J84-3	SWITCH LEVER	1		
1	40	233621-5	TORSION SPRING 9	1		
1	41	651083-9	SWITCH C3XA-1PSPM	1		
1	42	643874-2	TERMINAL	1		
1	44	632L48-2	SWITCH UNIT	1		
1	45	183W83-4	HOUSING SET	1		INC. 10
1		263005-3	RUBBER PIN 6	2		INC WITH FIG 45
1	46	313212-9	HAND GUARD GUIDE	1		
1	47	234210-9	COMPRESSION SPRING 3	1		
1	48	266326-2	TAPPING SCREW 4X18	1		
1	49	422915-5	GROMMET	1		
1	50	141E60-4	LINK PLATE COMPLETE	1		
1	51	232452-9	COMPRESSION SPRING 7	1		
1	52	347864-4	BRAKE BAND	1		
1	53	413J85-1	HOUSING R COVER	1		
1	54	266326-2	TAPPING SCREW 4X18	5		
1	55	162B78-4	BRAKE DRUM	1		
1	56	213060-5	O RING 10	1		
1	57	221464-7	SPROCKET 6	1		
1	58	961013-5	STOP RING E-7	1		
1	59	422833-7	GROMMET	1		
1	60	326310-0	ADJUST PIN	1		
1	61	327958-1	ADJUST SCREW	1		
1	62	227496-2	STRAIGHT BEVEL GEAR 14	1		
1	63	266427-6	TAPPING SCREW 4X12	1		
1	64	413F29-7	COVER	1		
1	65	266427-6	TAPPING SCREW 4X12	3		
1	66	413J73-8	SPROCKET COVER	1		
1	68	142665-3	DRIVE GEAR COMPLETE	1		

Products with multiple versions are listed in subsiding order with the newest version on top not indented.

Section	Fig. No.	Part No.	Description	XCU11	Tech Bulletin	Notes
1	69	263002-9	RUBBER PIN 4	1		
1	70	142235-8	NUT COMPLETE	1		
1	71	454819-3	NUT COVER	1		
1	72	136784-5	SPROCKET COVER ASS'Y	1		INC. 59-66,68-71
1	A01	E-00072	14 GUIDE BAR 1	1		
1	A02	413G23-5	GUIDE BAR CASE 360	1		NOT PICTURED
1	A03	E-00228	14 SAW CHAIN	1		