

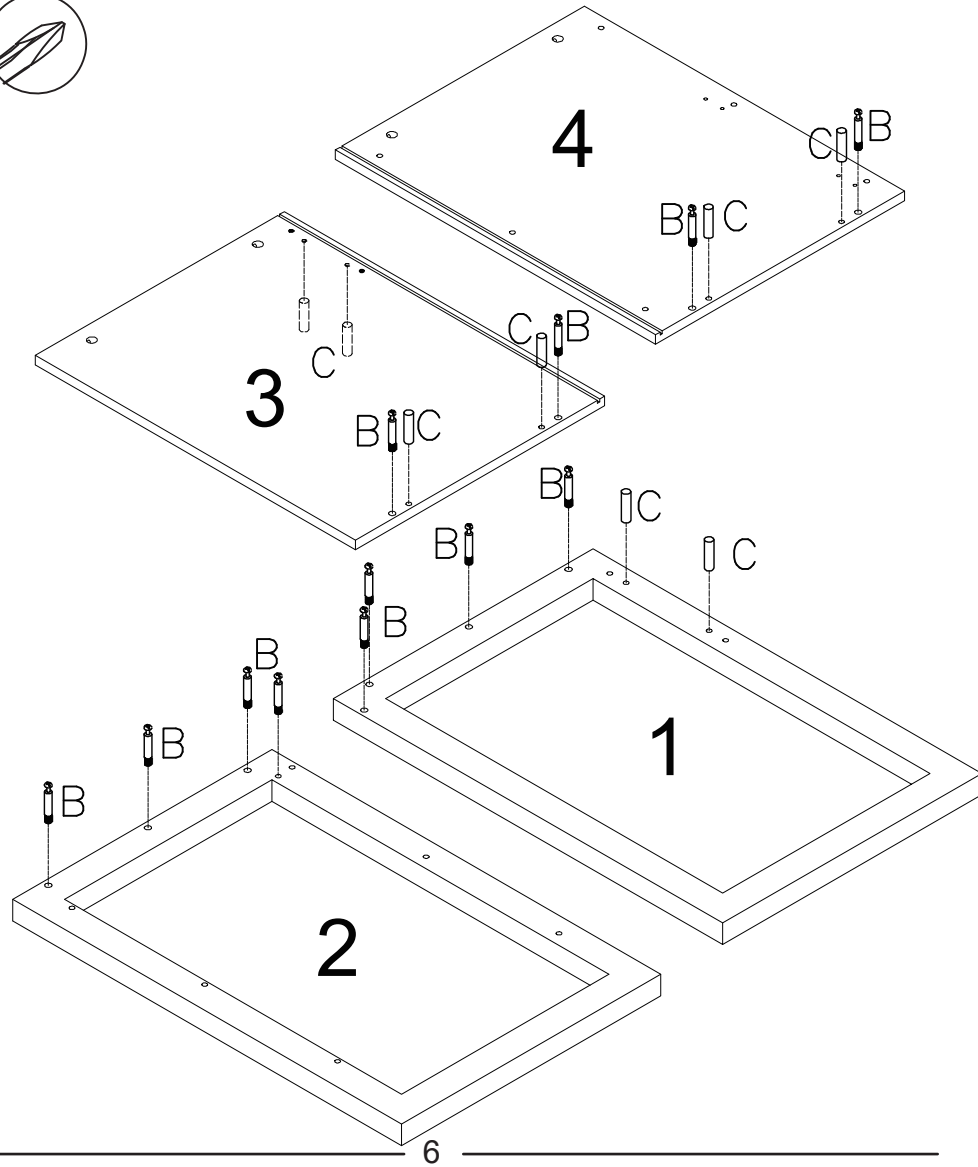
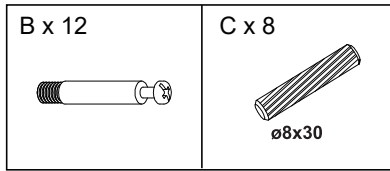






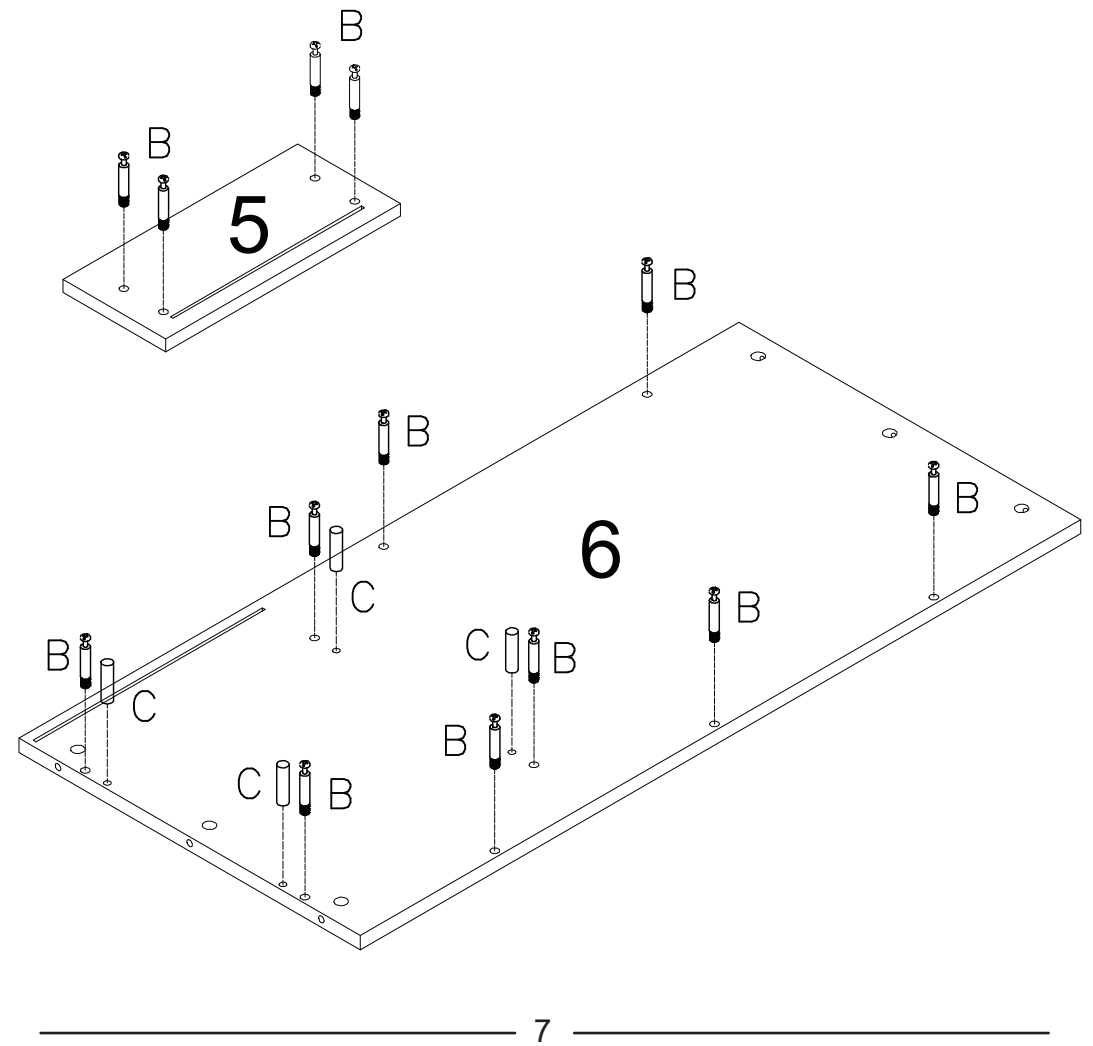
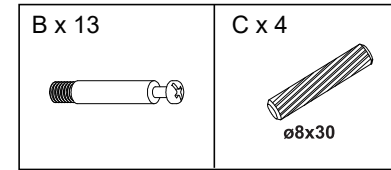
**PRODUCT ASSEMBLY**

**STEP 1**



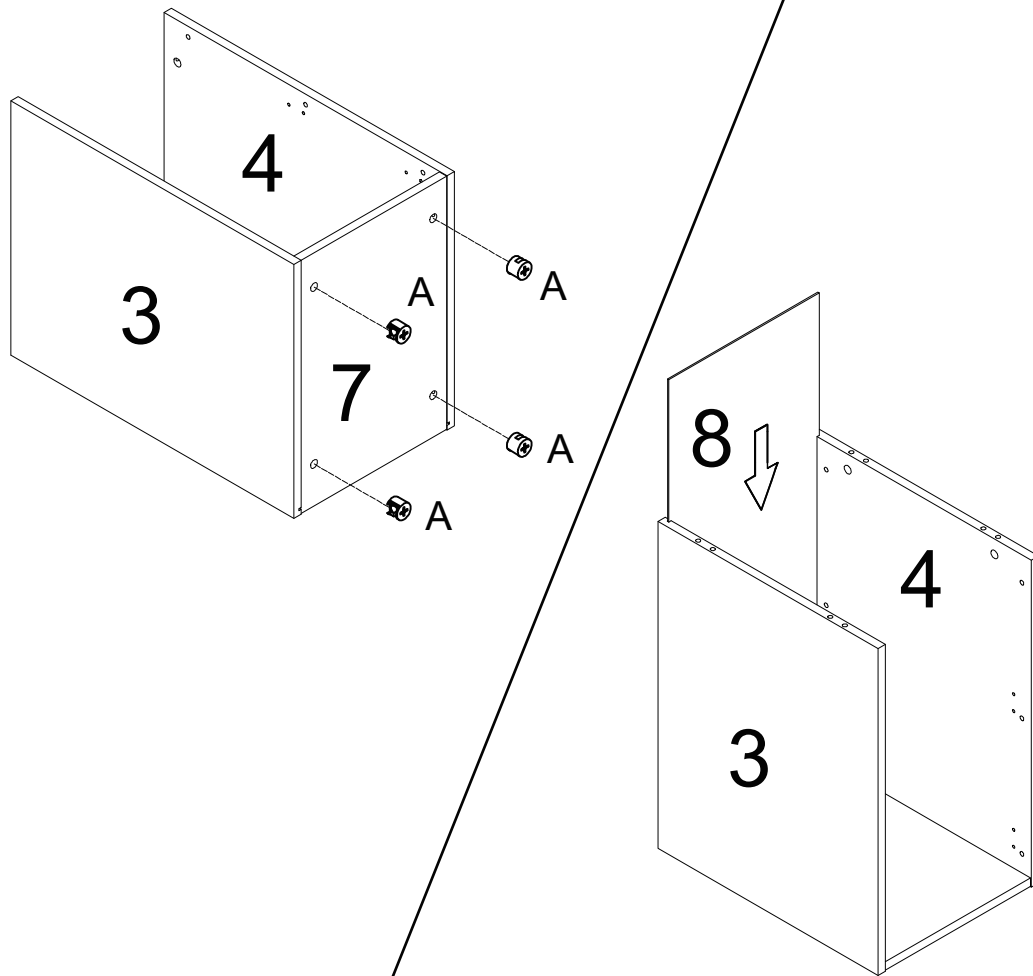
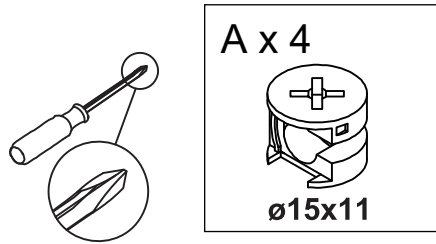
**PRODUCT ASSEMBLY**

**STEP 2**



**PRODUCT ASSEMBLY**

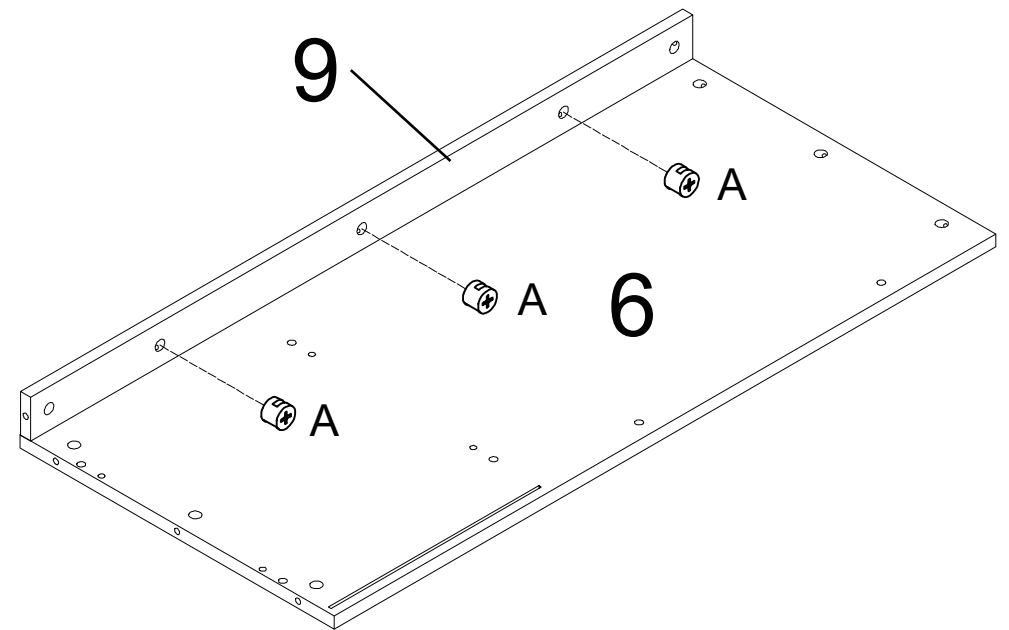
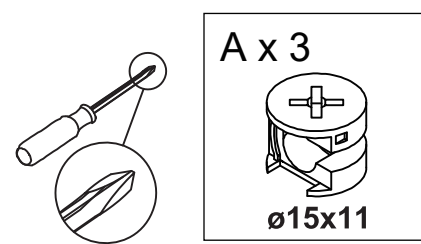
**STEP 3**



8

**PRODUCT ASSEMBLY**

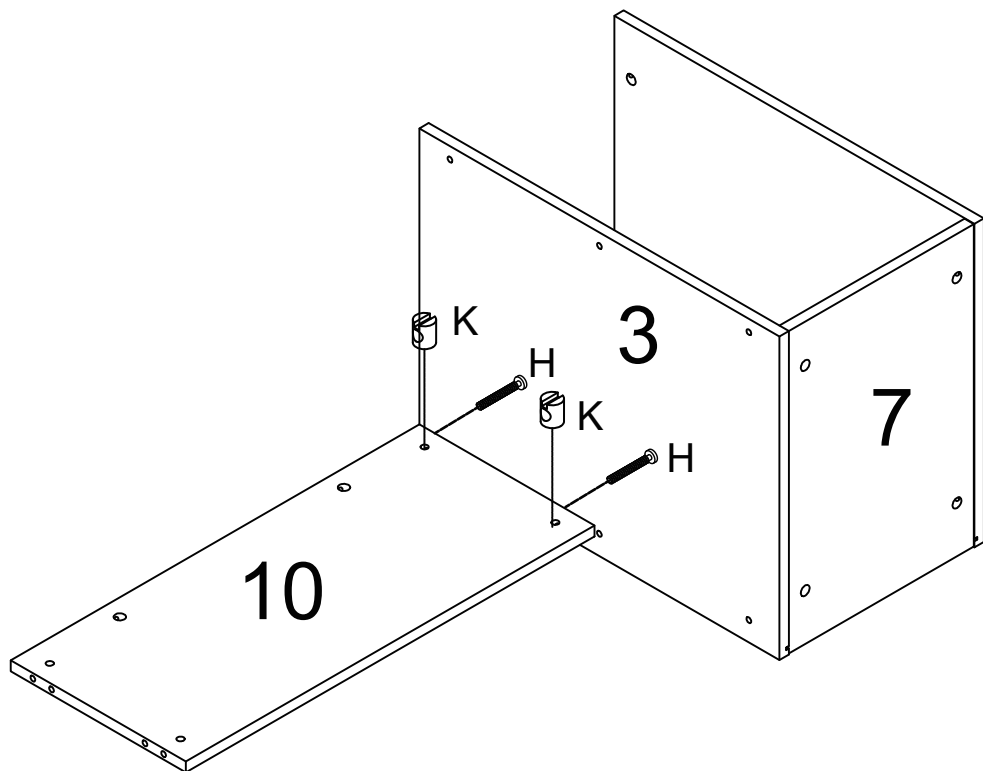
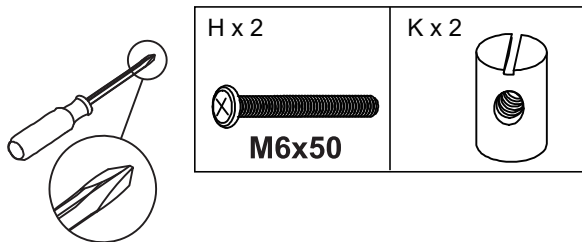
**STEP 4**



9

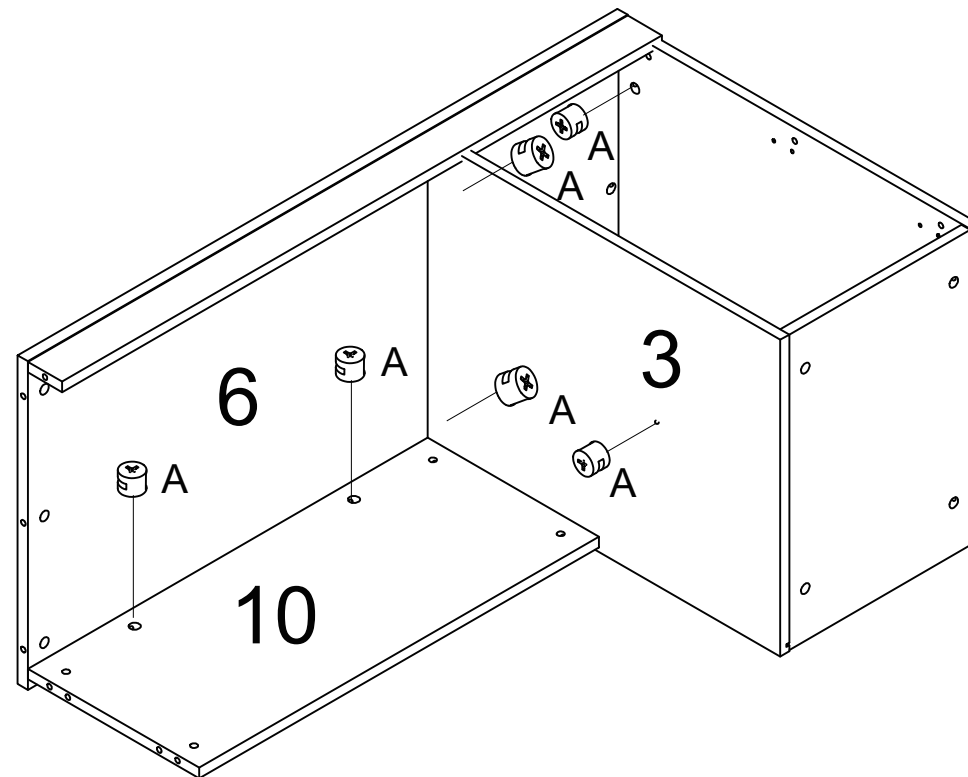
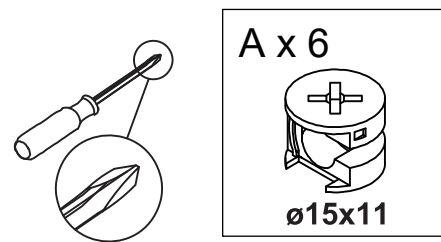
**PRODUCT ASSEMBLY**

**STEP 5**



**PRODUCT ASSEMBLY**

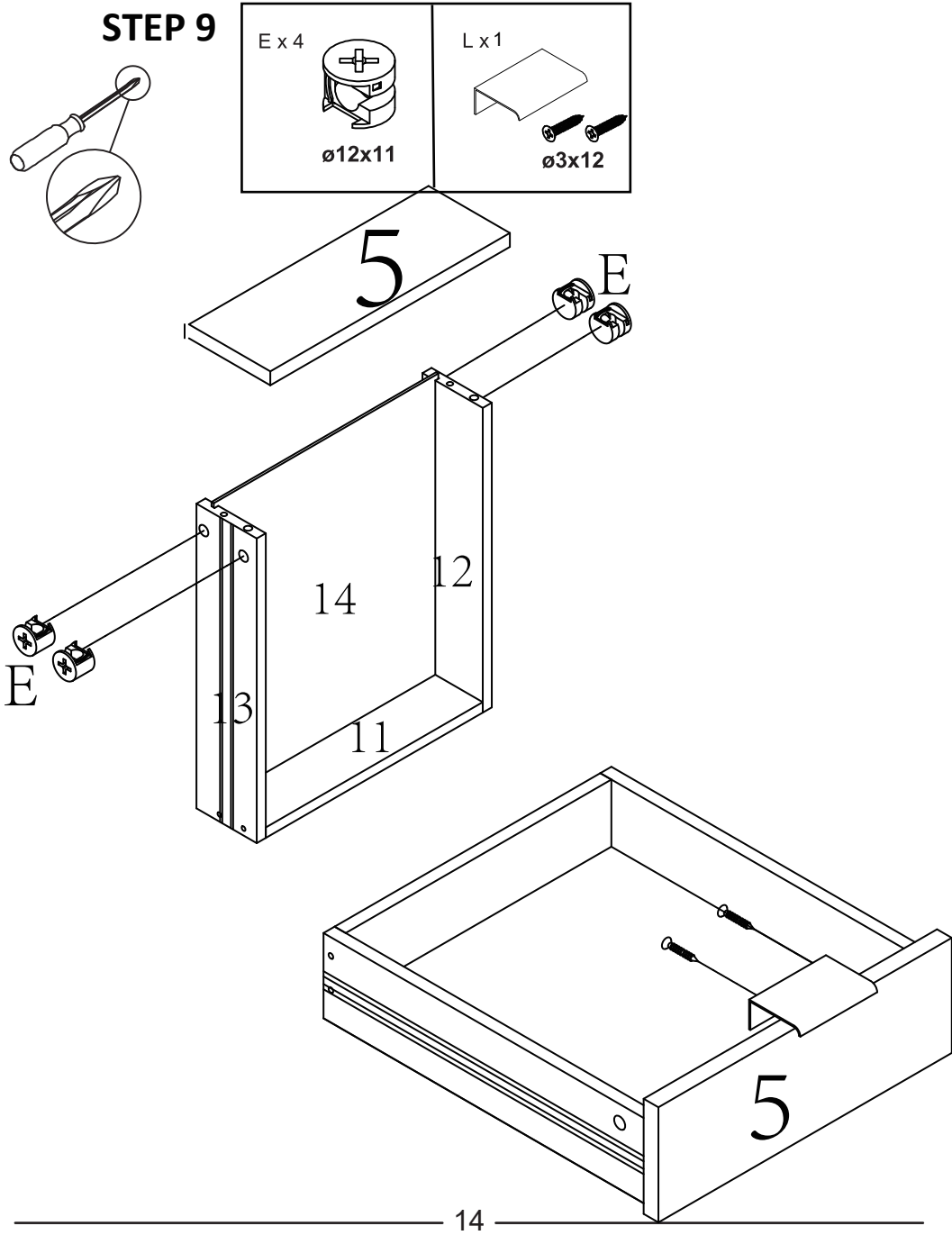
**STEP 6**





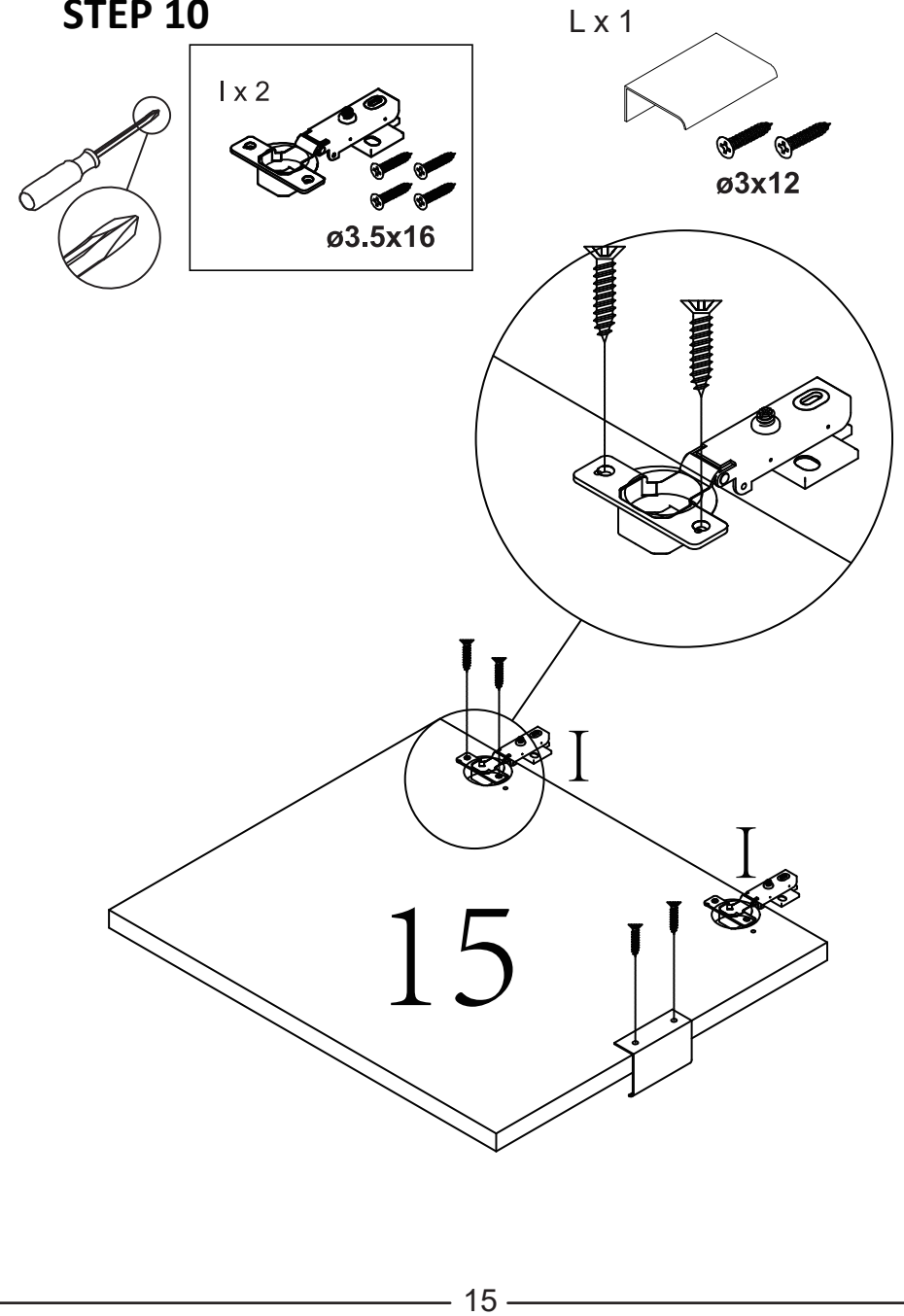
**PRODUCT ASSEMBLY**

**STEP 9**



**PRODUCT ASSEMBLY**

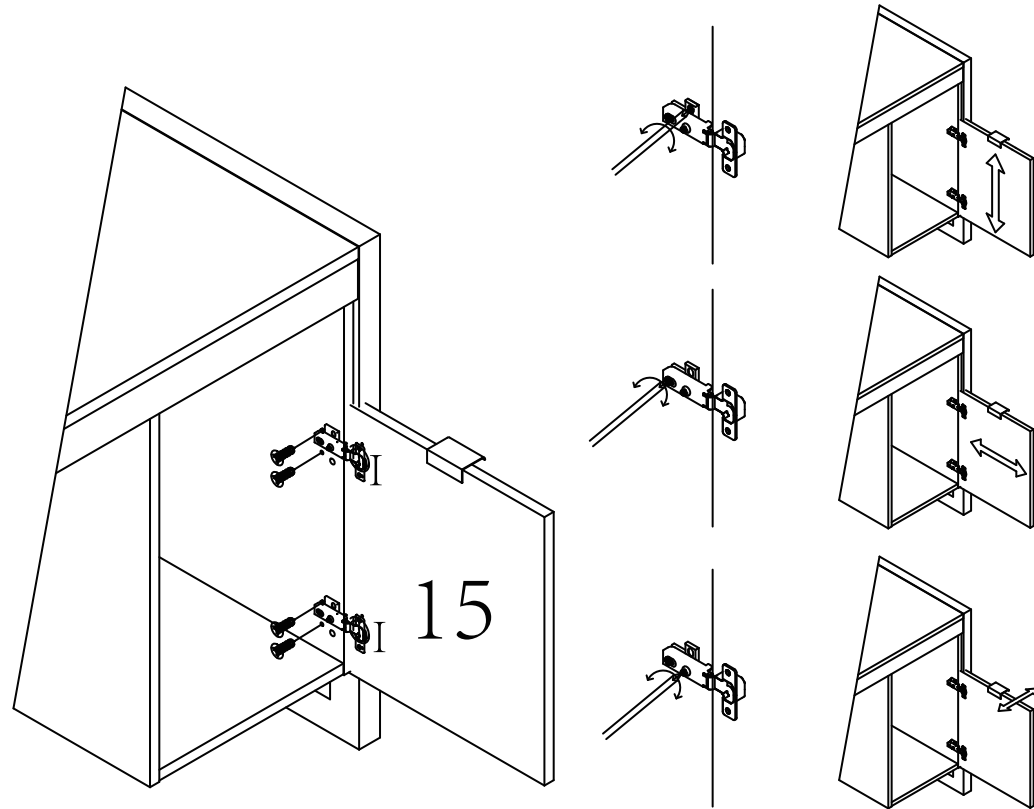
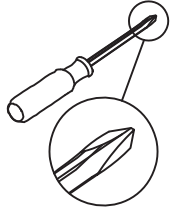
**STEP 10**





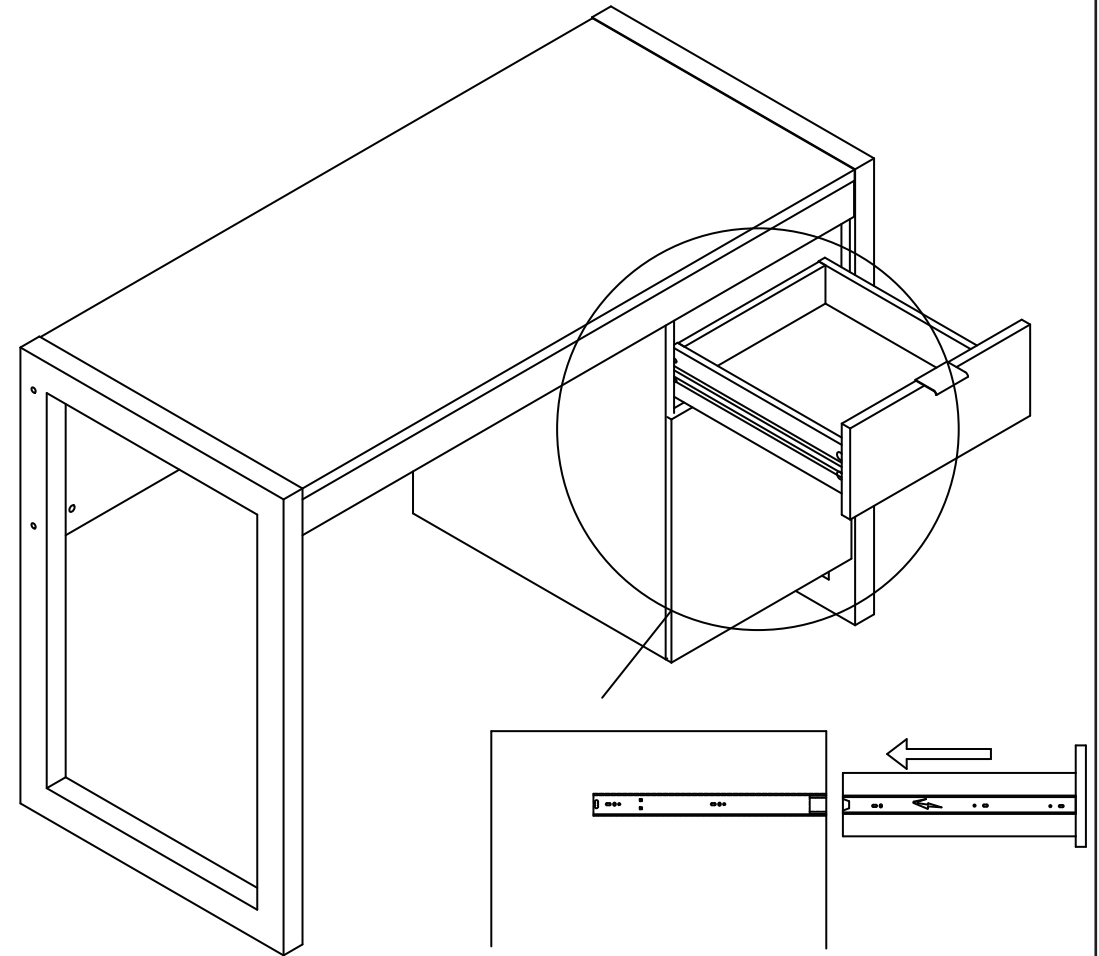
**PRODUCT ASSEMBLY**

**STEP 11**



**PRODUCT ASSEMBLY**

**STEP 12**



## Care and Maintenance

Use a soft, clean cloth that will not scratch the surface when dusting.

Use of furniture polish is not necessary.

Should you choose to use polish, test first in an inconspicuous area.

Using solvents of any kind on your furniture may damage the finish.

Never use water to clean your furniture as it may cause damage to the finish.

Liquid spills should be removed immediately. Using a soft clean cloth, blot the spill gently. Avoid rubbing.

Check bolts/screws periodically and tighten them if necessary.

## Further advice about wood furniture care

It is best to keep your furniture in a climate-controlled environment.

Extreme temperature and humidity changes can cause fading, warping, shrinking and splitting of wood.

It is advised to keep furniture away from direct sunlight as sun may damage the finish.

Proper care and cleaning at home will extend the life of your purchase.

Following these important and helpful tips will enhance your furniture as it ages.

## Welcome to visit our website and purchase our quality products!

Your suggestions and comments for COSTWAY are really important to us!  
We sincerely solicit you to go back to our shop and leave a good rating in just a simple click. It would be quite encouraging if you could kindly do so like below:

★★★★★ Great products so far

February 24, 2019

Great products so far. Fast delivery, easy setup, and working without any issues.

With your inspiring rating, COSTWAY will be more consistent to offer you  
**EASY SHOPPING EXPERIENCE, GOOD PRODUCTS and EFFICIENT SERVICE!**

US office: Fontana, California

UK office: Ipswich



- \* Reward Points
- \* Exclusive Customer Service
- \* Personalized Recommendations
- \* Permanent Shopping Cart
- \* Order History

*5 Star Rating*



We would like to extend our heartfelt thanks to  
all of our customers for taking time to assemble  
this product and giving us valuable feedbacks.

