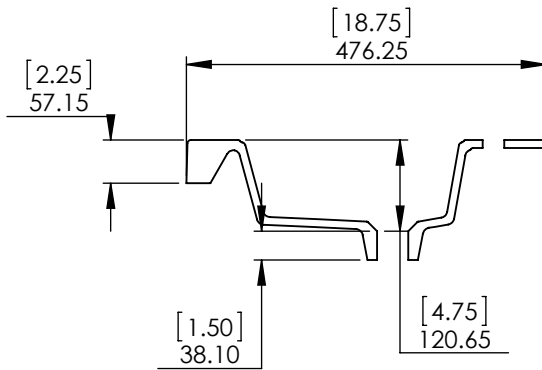
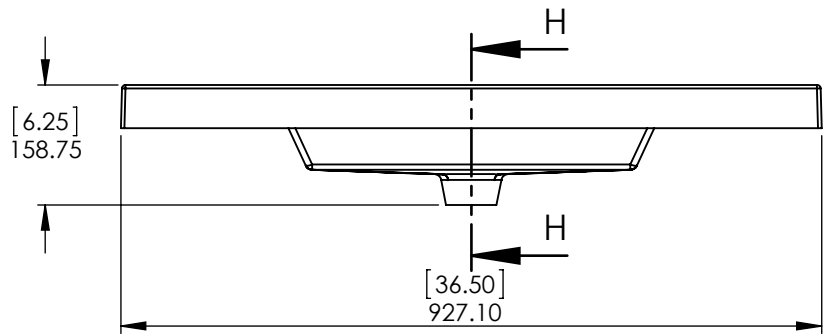
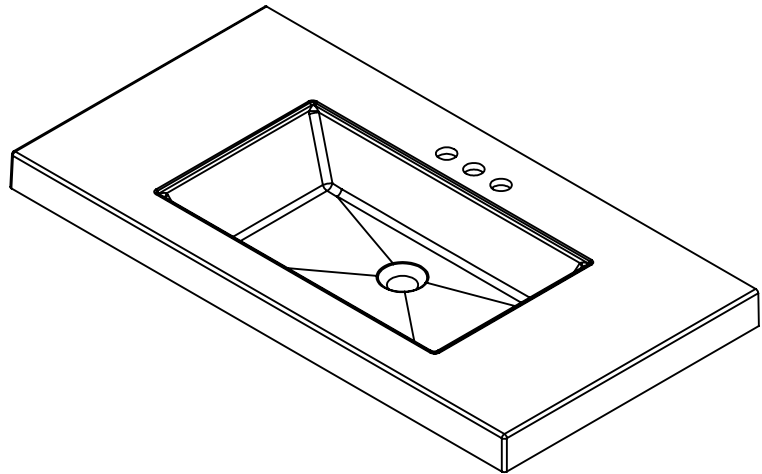
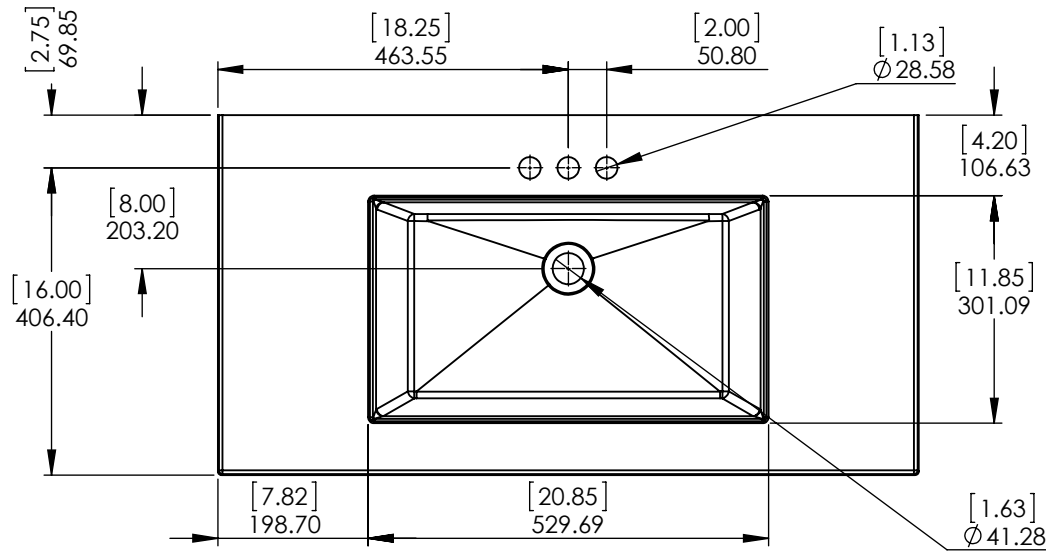


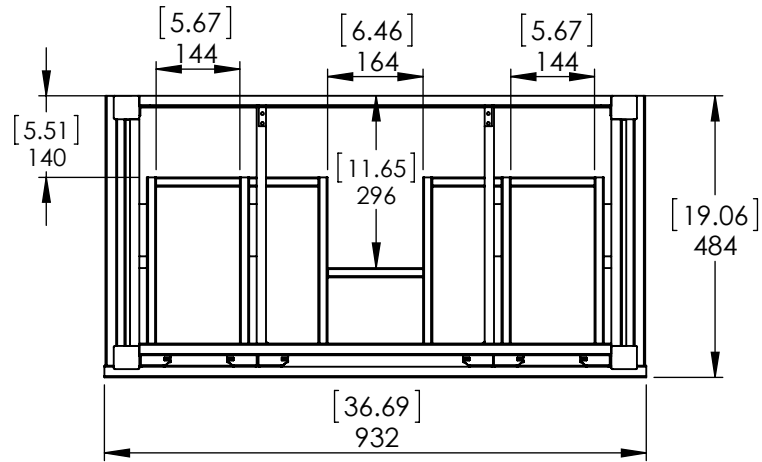
ID	Description	Technology	Status
595426	Vtop Oslo 36.5x18.75 White	Solid White	Approved for production

Rev #	Approved by	Change
0	R. Rubio	Released

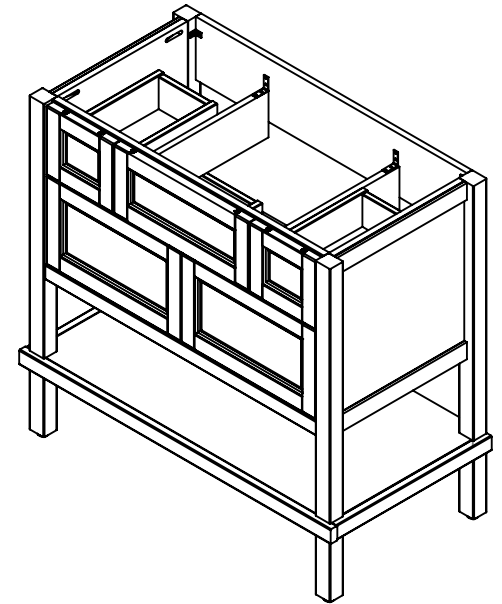


NOTE: MAX. WARPAGE
TOLERANCE 1/8"

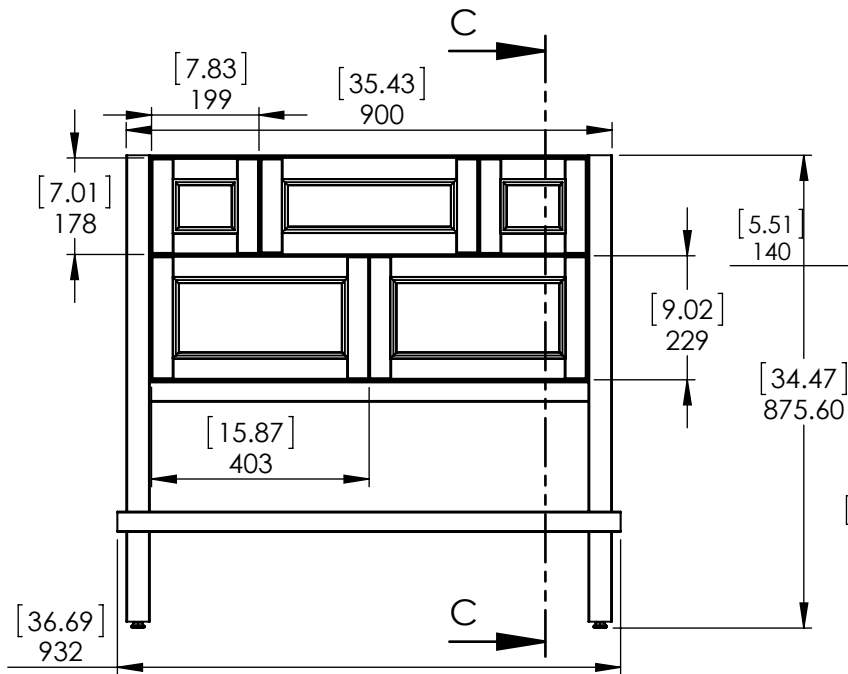
<p>PROPRIETARY AND CONFIDENTIAL</p> <p>THE INFORMATION CONTAINED IN THIS DRAWING IS THE SOLE PROPERTY OF WOODCRAFTERS. ANY REPRODUCTION IN PART OR AS A WHOLE WITHOUT THE WRITTEN PERMISSION OF WOODCRAFTERS IS PROHIBITED.</p>	<p>UNLESS OTHERWISE SPECIFIED</p> <p>DIMENSIONS ARE IN MM. AND (INCHES)</p> <p>TOLERANCES ARE + 0.125 [3.175] - 0.125 [-3.175]</p> <p>SCALE:1:10</p>			<table border="1"> <tr> <th></th> <th>NAME</th> <th>DATE</th> </tr> <tr> <td>DRAWN</td> <td>R. Rubio</td> <td>11/01/16</td> </tr> <tr> <td>CHECKED</td> <td>R. Rubio</td> <td>11/01/16</td> </tr> <tr> <td>ENG APPR.</td> <td>R. Rubio</td> <td>11/01/16</td> </tr> <tr> <td>MFG APPR.</td> <td>C. Leal</td> <td>11/01/16</td> </tr> </table>		NAME	DATE	DRAWN	R. Rubio	11/01/16	CHECKED	R. Rubio	11/01/16	ENG APPR.	R. Rubio	11/01/16	MFG APPR.	C. Leal	11/01/16	
		NAME	DATE																	
	DRAWN	R. Rubio	11/01/16																	
	CHECKED	R. Rubio	11/01/16																	
	ENG APPR.	R. Rubio	11/01/16																	
MFG APPR.	C. Leal	11/01/16																		
<p>NOTE: MAX. WARPAGE TOLERANCE 1/8"</p>	<p>SIZE DWG. NO.</p> <p>A Vtop Oslo 36.5x18.75 4in</p>	<p>SHEET 1 OF 1</p> <p>REV: 0</p>																		



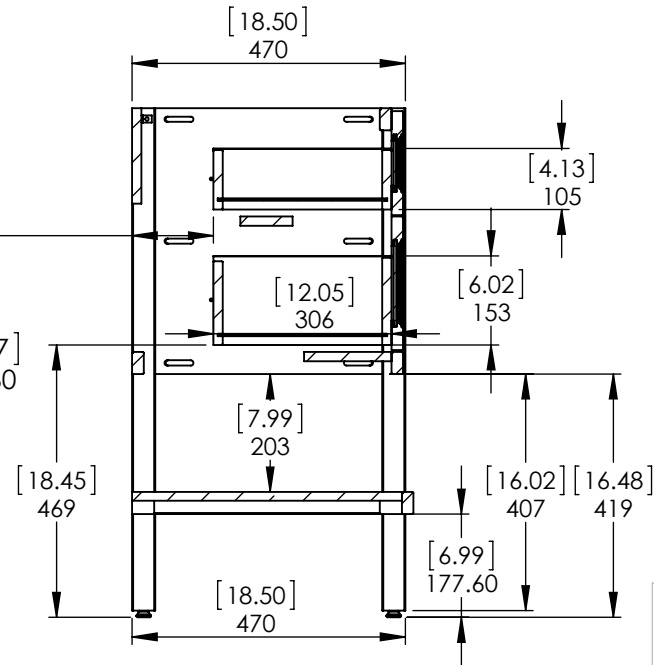
Top View



Isometric View



Front View



SECTION C-C
SCALE 1 : 13

Wood Crafters

ITEM: ALI136P2-CH
ALI136P2-BU
ALI136P2-TG
ALI1P2-WH
ALI1P2C-WH

REV
A

Name: Ashland 36 in

DRW:	AEP	01/02/19
REV:	ING	01/02/19
APP:	R&D	01/02/19
SCALE:	1:15	MODEL:

MATERIAL: German Beech 4/4
Laminated Particle Board

Vanity Ashland 36