



Rolling Ladder Hardware



Rolling Library Ladders Made in the USA!

1A Select an Upper and Lower Hardware Kit

Each kit includes:

- 2 Top Rollers
- 2 Bottom Wheels
- All Necessary Fasteners



Standard Wheel with Standard Roller Kits

SKU	Ladder Width	Color	Kit
QG.200.02	16"	Satin Nickel	
QG.200.03	16"	Hamm. Antique Brass	
QG.200.07	16"	Oil Rubbed Bronze	
QG.200.08	16"	Black	
QG.200-20.02	20"	Satin Nickel	
QG.200-20.03	20"	Hamm. Antique Brass	
QG.200-20.07	20"	Oil Rubbed Bronze	
QG.200-20.08	20"	Black	



Standard Wheel with Rolling Hook Kits

SKU	Ladder Width	Color	Kit
QG.500.02	16"	Satin Nickel	
QG.500.03	16"	Hamm. Antique Brass	
QG.500.07	16"	Oil Rubbed Bronze	
QG.500.08	16"	Black	
QG.500-20.02	20"	Satin Nickel	
QG.500-20.03	20"	Hamm. Antique Brass	
QG.500-20.07	20"	Oil Rubbed Bronze	
QG.500-20.08	20"	Black	

**Rolling Hook kits cannot be used with curved rails*



Standard Wheel with Swivel Roller Kits

SKU	Ladder Width	Color	Kit
QG.700.02	16"	Satin Nickel	
QG.700.03	16"	Hamm. Antique Brass	
QG.700.07	16"	Oil Rubbed Bronze	
QG.700.08	16"	Black	
QG.700-20.02	20"	Satin Nickel	
QG.700-20.03	20"	Hamm. Antique Brass	
QG.700-20.07	20"	Oil Rubbed Bronze	
QG.700-20.08	20"	Black	



Brake Wheel with Standard Roller Kits

NOW AVAILABLE IN CHROME!

SKU	Ladder Width	Color	Kit
QG.210.02	16"	Satin Nickel	
QG.210.03	16"	Hamm. Antique Brass	
QG.210.04	16"	Chrome	
QG.210.07	16"	Oil Rubbed Bronze	
QG.210.08	16"	Black	
QG.210-20.02	20"	Satin Nickel	
QG.210-20.03	20"	Hamm. Antique Brass	
QG.210-20.04	20"	Chrome	
QG.210-20.07	20"	Oil Rubbed Bronze	
QG.210-20.08	20"	Black	



Brake Wheel with Rolling Hook Kits

NOW AVAILABLE IN CHROME!

SKU	Ladder Width	Color	Kit
QG.510.02	16"	Satin Nickel	
QG.510.03	16"	Hamm. Antique Brass	
QG.510.04	16"	Chrome	
QG.510.07	16"	Oil Rubbed Bronze	
QG.510.08	16"	Black	
QG.510-20.02	20"	Satin Nickel	
QG.510-20.03	20"	Hamm. Antique Brass	
QG.510-20.04	20"	Chrome	
QG.510-20.07	20"	Oil Rubbed Bronze	
QG.510-20.08	20"	Black	



Brake Wheel with Swivel Roller Kits

SKU	Ladder Width	Color	Kit
QG.710.02	16"	Satin Nickel	
QG.710.03	16"	Hamm. Antique Brass	
QG.710.07	16"	Oil Rubbed Bronze	
QG.710.08	16"	Black	
QG.710-20.02	20"	Satin Nickel	
QG.710-20.03	20"	Hamm. Antique Brass	
QG.710-20.07	20"	Oil Rubbed Bronze	
QG.710-20.08	20"	Black	



Contemporary Wheel with Standard Roller Kits

SKU	Ladder Width	Color	Kit
QG.220.02	16"	Satin Nickel	
QG.220.03	16"	Hamm. Antique Brass	
QG.220.07	16"	Oil Rubbed Bronze	
QG.220.08	16"	Black	
QG.220-20.02	20"	Satin Nickel	
QG.220-20.03	20"	Hamm. Antique Brass	
QG.220-20.07	20"	Oil Rubbed Bronze	
QG.220-20.08	20"	Black	



Contemporary Wheel with Rolling Hook Kits

SKU	Ladder Width	Color	Kit
QG.520.02	16"	Satin Nickel	
QG.520.03	16"	Hamm. Antique Brass	
QG.520.07	16"	Oil Rubbed Bronze	
QG.520.08	16"	Black	
QG.520-20.02	20"	Satin Nickel	
QG.520-20.03	20"	Hamm. Antique Brass	
QG.520-20.07	20"	Oil Rubbed Bronze	
QG.520-20.08	20"	Black	

**Rolling Hook kits cannot be used with curved rails*



Contemporary Wheel with Swivel Roller Kits

SKU	Ladder Width	Color	Kit
QG.720.02	16"	Satin Nickel	
QG.720.03	16"	Hamm. Antique Brass	
QG.720.07	16"	Oil Rubbed Bronze	
QG.720.08	16"	Black	
QG.720-20.02	20"	Satin Nickel	
QG.720-20.03	20"	Hamm. Antique Brass	
QG.720-20.07	20"	Oil Rubbed Bronze	
QG.720-20.08	20"	Black	



Contemporary Brake Wheel with Standard Roller Kits

SKU	Ladder Width	Color	Kit
QG.240.02	16"	Satin Nickel	
QG.240.07	16"	Oil Rubbed Bronze	
QG.240.08	16"	Black	
QG.240-20.02	20"	Satin Nickel	
QG.240-20.07	20"	Oil Rubbed Bronze	
QG.240-20.08	20"	Black	



Contemporary Brake Wheel with Rolling Hook Kits

SKU	Ladder Width	Color	Kit
QG.540.02	16"	Satin Nickel	
QG.540.07	16"	Oil Rubbed Bronze	
QG.540.08	16"	Black	
QG.540-20.02	20"	Satin Nickel	
QG.540-20.07	20"	Oil Rubbed Bronze	
QG.540-20.08	20"	Black	



Contemporary Brake Wheel with Swivel Roller Kits

SKU	Ladder Width	Color	Kit
QG.740.02	16"	Satin Nickel	
QG.740.07	16"	Oil Rubbed Bronze	
QG.740.08	16"	Black	
QG.740-20.02	20"	Satin Nickel	
QG.740-20.07	20"	Oil Rubbed Bronze	
QG.740-20.08	20"	Black	

1A Select an Upper and Lower Hardware Kit (Continued)

We heard from many customers who wanted a movable library ladder that does not roll, so we designed the single adjustable and the double ladder hooks, as well as rubber non-skid feet. This new hardware allows you to have the movable (but non-rolling) ladder that's perfect for your unique needs!



Non-Skid Foot with Single Adjustable Hook Kits

Comes with 7 step supports (enough for 8' ladder).

SKU	Ladder Width	Color	Kit
QG.330.02	16"	Satin Nickel	
QG.330.07	16"	Oil Rub. Bronze	
QG.330.08	16"	Black	
QG.330-20.02	20"	Satin Nickel	
QG.330-20.07	20"	Oil Rub. Bronze	
QG.330-20.08	20"	Black	



Non-Skid Foot with Double Hook Kits

Comes with 7 step supports (enough for 8' ladder).

SKU	Ladder Width	Color	Kit
QG.130.02	16"	Satin Nickel	
QG.130.07	16"	Oil Rub. Bronze	
QG.130.08	16"	Black	
QG.130-20.02	20"	Satin Nickel	
QG.130-20.07	20"	Oil Rub. Bronze	
QG.130-20.08	20"	Black	

1B Or Select Individual Upper and Lower Hardware Components

If you would prefer to choose individual ladder components instead of an entire kit, go right ahead! Keep in mind that you will need to purchase individual support rods on page 9.



Standard Top Roller Guide SOLD INDIVIDUALLY

- [LL.TRGUIDE.02](#) Satin Nickel
- [LL.TRGUIDE.03](#) Ham. Antique Brass
- [LL.TRGUIDE.04](#) Chrome
- [LL.TRGUIDE.07](#) Oil Rubbed Bronze
- [LL.TRGUIDE.08](#) Black



Rolling Hook Top Guide SOLD INDIVIDUALLY

- [LL.RHGUIDE.02](#) Satin Nickel
- [LL.RHGUIDE.03](#) Ham. Antique Brass
- [LL.RHGUIDE.04](#) Chrome
- [LL.RHGUIDE.07](#) Oil Rubbed Bronze
- [LL.RHGUIDE.08](#) Black



Swivel Top Roller Guide SOLD INDIVIDUALLY

- [LL.SWGUIDE.02](#) Satin Nickel
- [LL.SWGUIDE.03](#) Ham. Antique Brass
- [LL.SWGUIDE.07](#) Oil Rubbed Bronze
- [LL.SWGUIDE.08](#) Black



Double Hook Top Guide SOLD INDIVIDUALLY

- [LL.DHGUIDE.02](#) Satin Nickel
- [LL.DHGUIDE.07](#) Oil Rubbed Bronze
- [LL.DHGUIDE.08](#) Black



Single Adjustable Hook Top Guide SOLD INDIVIDUALLY

- [LL.THGUIDE.02](#) Satin Nickel
- [LL.THGUIDE.03](#) Ham. Antique Brass
- [LL.THGUIDE.07](#) Oil Rubbed Bronze
- [LL.THGUIDE.08](#) Black



Brake Ladder Wheel Assembly SOLD INDIVIDUALLY

- [LL.WHLASSBBK.02](#) Satin Nickel
- [LL.WHLASSBBK.03](#) Hammered Antique Brass
- [LL.WHLASSBBK.04](#) Chrome
- [LL.WHLASSBBK.07](#) Oil Rubbed Bronze
- [LL.WHLASSBBK.08](#) Black



Contemporary Ladder Wheel Assembly SOLD INDIVIDUALLY

- [LL.WHEELASSB01.02](#) Satin Nickel
- [LL.WHEELASSB01.03](#) Hamm. Antique Brass
- [LL.WHEELASSB01.07](#) Oil Rubbed Bronze
- [LL.WHEELASSB01.08](#) Black



Standard Ladder Wheel Assembly SOLD INDIVIDUALLY

- [LL.WHEELASSB.02](#) Satin Nickel
- [LL.WHEELASSB.03](#) Hammered Antique Brass
- [LL.WHEELASSB.07](#) Oil Rubbed Bronze
- [LL.WHEELASSB.08](#) Black



Contemporary Ladder Brake Wheel Assembly SOLD INDIVIDUALLY

- [LL.WHEELASSBBK01.02](#) Satin Nickel
- [LL.WHEELASSBBK01.07](#) Oil Rubbed Bronze
- [LL.WHEELASSBBK01.08](#) Black

Top Roller Styles:



Standard Roller

Has a top and a bottom wheel, keeping the ladder fixed onto the rail.



Rolling Hook

Has only one wheel on the top, so the ladder can be removed easily.



Swivel Roller

Features a built-in swivel, which allows the ladder to be used on curved rails.

Non-Rolling Styles:



Single Adjustable Hook

Has one hook on the top. The base is adjustable for easy storage.



Double Hook

The top hook is for when the ladder is in use, and bottom hook is for storing.

Finishes:



Satin Nickel



Oil Rubbed Bronze



Hammered Antique Brass*



Black



Chrome

* Pattern may vary



Non-Skid Foot Assembly SOLD INDIVIDUALLY

- [LL.NSFOOT.02](#) Satin Nickel
- [LL.NSFOOT.07](#) Oil Rubbed Bronze
- [LL.NSFOOT.08](#) Black

2 Select a Wood Ladder

Each ladder is unassembled, unfinished, sanded to 120-grit, flat-cut, has pre-drilled holes for fasteners, has dadoed sides for steps, and is ready to finish/assemble.



Standard 16" Ladder

Our original Rolling Library Ladder. Great for tight spaces.

SKU	Wood Species	Each
8' Ladder		
QG.6008.CH	Cherry	
QG.6008.MA	Maple	
QG.6008.RO	Red Oak	
9' Ladder		
QG.6009.CH	Cherry	
QG.6009.MA	Maple	
QG.6009.RO	Red Oak	
10' Ladder		
QG.6010.CH	Cherry	
QG.6010.MA	Maple	
QG.6010.RO	Red Oak	

Wide 20" Ladder

A wider ladder for added stability, space, and comfort.

SKU	Wood Species	Each
8' Ladder		
QG.6008-20.CH	Cherry	
QG.6008-20.MA	Maple	
QG.6008-20.RO	Red Oak	
9' Ladder		
QG.6009-20.CH	Cherry	
QG.6009-20.MA	Maple	
QG.6009-20.RO	Red Oak	
10' Ladder		
QG.6010-20.CH	Cherry	
QG.6010-20.MA	Maple	
QG.6010-20.RO	Red Oak	

Custom Wood Ladders

Do none of the above options quite fit your needs? Customize your own library ladder with the exact height and wood species you want! Includes top-turned rung.* Please allow for a 2-3 week lead time.

* Ladders above 8' requires the purchase of additional step supports.



Wood Species	Up to 8'	Up to 9'	Up to 10'	Up to 11'	Up to 12'	Up to 13'	Up to 14'
Alder (16")							
Alder (20")							
Birch-White (16")							
Birch-White (20")							
Cherry (16")							
Cherry (20")							
Hickory (16")							
Hickory (20")							
Maple (16")							
Maple (20")							
African Mahogany (16")							
African Mahogany (20")							
Oak-Red (16")							
Oak-Red (20")							
Oak-White* (16")							
Oak-White* (20")							

* Quarter Sawn

Other wood species available. Call for pricing and lead time.



Steam-Bent Solid Wood Hand Rails

Unfinished, sanded to 120-grit, and has pre-drilled assembly holes. Sold in pairs. Specify for Black or Satin Nickel fasteners (included).

SKU	Wood Species	Pair
QG.6309.CH	Cherry	
QG.6309.HC	Hickory	
QG.6309.MA	Maple	
QG.6309.RO	Red Oak	
QG.6309.WA	Walnut	
QG.6309.WO*	White Oak	

*Quarter Sawn



Additional Step Supports - for Custom Ladders and Ladders over 8'

These additional step support rods are only needed when ordering Quiet Glide ladders over 8' tall. If you're building your own ladder, get one support rod per step. Fasteners are included.

SKU	Finish	Width	Each
QG.620.02	Satin Nickel	16"	
QG.620-20.02	Satin Nickel	20"	
QG.620.04	Chrome	16"	
QG.620-20.04	Chrome	20"	
QG.620.08	Black	16"	
QG.620-20.08	Black	20"	



Top-Turned Rungs

When building your own ladder, these top-turned rungs are a nice addition. Already included with "in-stock" ladders.

SKU	Wood Species	Width	Each
QG.610.AD	Alder	16"	
QG.610-20.AD	Alder	20"	
QG.610.AS	Ash	16"	
QG.610-20.AS	Ash	20"	
QG.610.CH	Cherry	16"	
QG.610-20.CH	Cherry	20"	
QG.610.HC	Hickory	16"	
QG.610-20.HC	Hickory	20"	
QG.610.MG	Mahogany	16"	
QG.610-20.MG	Mahogany	20"	
QG.610.MA	Maple	16"	
QG.610-20.MA	Maple	20"	
QG.610.PN	Pine	16"	
QG.620.PN*	Pine	20"	
QG.610.RO	Red Oak	16"	
QG.620.RO*	Red Oak	20"	
QG.610.WA*	Walnut	16"	
QG.610.WA	Walnut	20"	
QG.610.WO*	White Oak	16"	
QG.610.WO	White Oak	20"	

*Quarter Sawn



Non-Skid Tread For Ladder Steps

Measures 3" x 13" with 1/4" radius corners. Should be installed after the ladder is finished.

SKU	Color	Each
QG.61	Clear	

3 Select Rail Components

Straight Rail - Three Different Lengths

SKU	Rail Length	Finish	Each
QG.4003.02	3'	Satin Nickel	
QG.4003.04	3'	Chrome	
QG.4003.07	3'	Oil Rubbed Bronze	
QG.4003.08	3'	Black	
QG.4004.02	4'	Satin Nickel	
QG.4004.03	4'	Hamm. Antique Brass	
QG.4004.04	4'	Chrome	
QG.4004.07	4'	Oil Rubbed Bronze	
QG.4004.08	4'	Black	
QG.4006.02	6'	Satin Nickel	
QG.4006.03	6'	Hamm. Antique Brass	
QG.4006.04	6'	Chrome	
QG.4006.07	6'	Oil Rubbed Bronze	
QG.4006.08	6'	Black	
QG.4008.02	8'	Satin Nickel	
QG.4008.03	8'	Hamm. Antique Brass	
QG.4008.07	8'	Oil Rubbed Bronze	

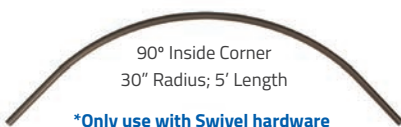
135-Degree Curved Rail*



*Not compatible with Rolling Hook hardware

SKU	Finish	Each
QG.40CRV135.02	Satin Nickel	
QG.40CRV135.03	Hammered Antique Brass	
QG.40CRV135.07	Oil Rubbed Bronze	
QG.40CRV135.08	Black	

90-Degree Curved Rail*



*Only use with Swivel hardware

*Not compatible with Rolling Hook hardware

SKU	Finish	Each
QG.40CRV.02	Satin Nickel	
QG.40CRV.03	Hammered Antique Brass	
QG.40CRV.07	Oil Rubbed Bronze	
QG.40CRV.08	Black	

90-Degree Curved Rail*



*Only use with Swivel hardware

*Not compatible with Rolling Hook hardware

SKU	Finish	Each
QG.40CRV16.02	Satin Nickel	
QG.40CRV16.03	Hamm. Antique Brass	
QG.40CRV16.07	Oil Rubbed Bronze	
QG.40CRV16.08	Black	

Splice Kit for Joining Round Rails Together



SKU	Size	Kit
QG.41	1/2" x 1/8"	bar

Thread Tap Accessory



Accessory used to make threads at the end of rails for end caps.

SKU	Size	Each
QG.TAP1420	1/4"	x 20 tap

Standard End Cap Kit for Round Rails



Made out of solid steel. Each kit includes 2 caps (1 1/4" dia.) and 2 fastening bolts (1/4" #20 x 18mm)

SKU	Finish	Kit
QG.40.02	Satin Nickel	
QG.40.03*	Hammered Antique Brass*	
QG.40.04	Chrome	
QG.40.07	Oil Rubbed Bronze	
QG.40.08	Black	

*Pattern may vary

Ball End Cap Kit for Round Rails



Made out of aluminum. Ball cap measures 1 1/2" dia. and has a 1/4"-20 screw. Each kit includes 2 ball caps.

SKU	Finish	Kit
QG.401.02	Satin Nickel	
QG.401.03*	Hammered Antique Brass*	
QG.401.07	Oil Rubbed Bronze	
QG.401.08	Black	

*Pattern may vary

End Cover Kit for Chrome Rails

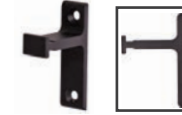


Made with solid steel and plated Chrome. For use when cutting chrome rails to conceal chipping. Each kit includes 2 caps and 2 fastening bolts (1/4" #20 x 18mm)

SKU	Finish	Kit
QG.403.04	Chrome	

Wall-Mounting Bracket for Round Rails

Choose brackets, based on the top roller choice you made (in Step 1). Sold as each. Screws are included.



Vertical Rolling/Swivel Bracket

For use with Standard Top Rollers and Swivel Rollers.

SKU	Finish	Each
QG.201.02	Satin Nickel	
QG.201.03	Hamm. Antique Brass	
QG.201.04	Chrome	
QG.201.07	Oil Rubbed Bronze	
QG.201.08	Black	



Vertical Rolling Hook Bracket

For use with Rolling Hook top rollers.

SKU	Finish	Each
QG.301.02	Satin Nickel	
QG.301.03	Hamm. Antique Brass	
QG.301.04	Chrome	
QG.301.07	Oil Rubbed Bronze	
QG.301.08	Black	



Horizontal Rolling/Swivel Bracket

For use with Standard Top Rollers and Swivel Rollers.

SKU	Finish	Each
QG.202.02	Satin Nickel	
QG.202.03	Hamm. Antique Brass	
QG.202.04	Chrome	
QG.202.07	Oil Rubbed Bronze	
QG.202.08	Black	



Horizontal Rolling Hook Bracket

For use with Rolling Hook top rollers.

SKU	Finish	Each
QG.302.02	Satin Nickel	
QG.302.03	Hammered Antique Brass	
QG.302.04	Chrome	
QG.302.07	Oil Rubbed Bronze	
QG.302.08	Black	

These brackets are used to mount the round rail to the wall. You will need 1 bracket for every 32", or 4 brackets for an 8' rail. Wall brackets must be mounted securely into studs.

Step 1: Rail Installation

Special application notes:

- Leave at least 7” of clearance between the center of the rail and the ceiling, crown moulding or other overhanging protrusions when the ladder is in the stored position (close to the wall/cabinet/bookshelf). In the climbing position, a minimum 3” clearance between the center of the rail and any upper cabinet doors is required to be able to open the upper cabinet doors.
 - Do not mount rail brackets directly onto a drywall surface. Always mount these brackets to solid wood, predrilling the holes in the wood is advisable to avoid splitting the wood.
1. Establish the height of where the center of the rail is to be installed and mark the location where the bottom of the mounting bracket will be located (depending on which type of bracket is used, the distance between the center of the rail and the bottom of the bracket will change, see dimensional specs on the bracket those measurements). Verify with a quality leveling device that the lateral locations of the brackets are level and true.
 2. To splice rails together using the Quiet Glide splice kit (QG.41) complete the following steps:
 - Insert the roll pin halfway the length of the pin into one of the rails
 - Slide the steel bar halfway into the rail and tighten 2 of the set screws to lock the bar and roll pin onto the rail.
 - Line up the roll pin hole and slot for the steel bar on the other rail and slide the rail over the pin and bar till a tight connection is made between rails.
 - Complete the splice by tightening the remaining 2 set screws
 3. Slide all the brackets to be used onto the rail, recommended spacing of the brackets is approximately 32” apart.
 4. Secure each bracket to the wood surface with the screws included.

Step 2: Ladder Assembly (if applicable)

(It is recommended that the ladder rail sides and steps are sanded slightly with a 220 grit sand paper just prior to applying the finish (stain, paint, clear coat sealer) on the ladder. It is also much easier to finish the ladder prior to assembly, taking care to protect the inside of the dados of the side rails and the ends of the steps from the applied finish that would prevent a good strong glue bond between the steps and the side rails)

1. Stand on edge one of the ladder side rails on a flat surface, dados facing away from you.
2. Insert one of the steps into the dado, aligning the compound miter of the step flush with the dadoed surface of the side rail. If not flush, flip and/or rotate the step until it lines up properly with the side rail.
3. Once proper alignment of the step is established, apply a thin film of quality woodworker’s glue to the end of the step and also in the dado.
4. Using the supplied 1-3/4” washer-head screws, secure the step to the side rail through the predrilled holes on the side rails. Assemble the remaining steps in the same manner.

5. Once all the steps are assembled onto one of the side rails, position the side rail on its side with the steps pointing up.
6. Apply a thin film of glue on the ends of each step and in the dado of the other rail, along with the holes in the sides of the rail (for the top turned rung) and the ends of the top turned rung.
7. Properly align each step as well as the top turned rail into its corresponding dado/hole, use the supplied 1-3/4" washer-head screws to fasten the steps into place.
8. To install the step support rods, push a nut cap (used with the step support rods) in the predrilled hole on the side rail. Slide the step support rod through the hole on the opposite side rail and partially thread it into the nut cap. Install the other nut cap and using two 5mm Allen wrenches tighten each side simultaneously so that there is equal amounts of thread on each end of the rod into each nut cap.

Step 3 Ladder Hardware Installation

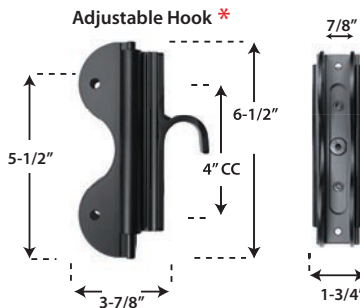
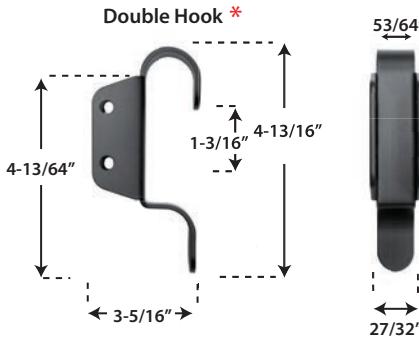
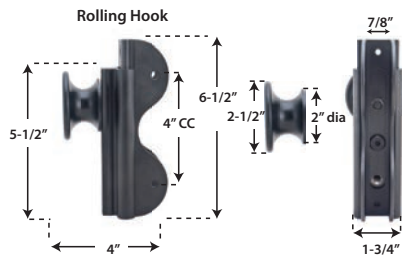
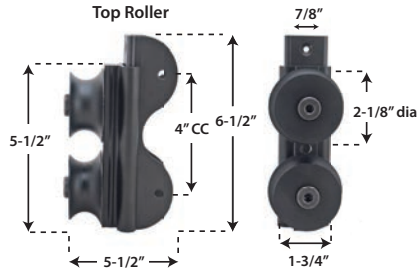
Top Ladder Hardware

1. Align the top roller guide on the beveled portion of the top of the ladder so that the top turned rung is centered between the bolt holes on the side of the hardware.
2. Mark on the beveled flat surface of the ladder, the top of the hardware. Measure from the tip of the ladder to this mark. Scribe a similar mark on the other ladder side rail so that the location of the top roller guide will be identical on both of the ladder side rails.
3. Locate the top roller guide onto the ladder rail, lining up this hardware on the scribed line. Using a Vix bit or similar self-centering drill guide, drill a pilot hole into the edge of the ladder for the (2) #10 x 3/4" Flat-head, Phillips-drive screws, and secure each top roller guides to the top of the ladder.
4. Using a 1/4" drill bit, drill out the holes for the 1/4-20 KD bolts on the sides of the ladder. Recommended procedure for this:
 - Using the holes in the top roller guide as a drill guide, drill a 1/4" hole half way through the thickness of the ladder slide rail.
 - Drill the same hole on the opposite side of the top roller guide, producing a 1/4" through hole in the ladder side rail.
 - Follow this same procedure for all 4 through holes and complete the assembly by securing the top roller guide with the supplied 1/4-20 KD bolts and acorn nuts.

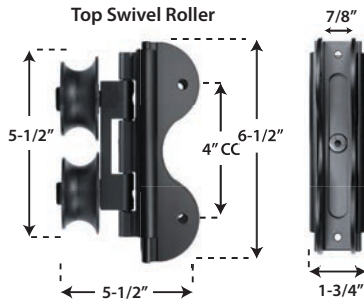
Bottom Ladder Hardware

1. Place the bottom roller housing onto the bottom of the ladder using the "U" bracket portion of the housing. Verify that the bracket is flush with the bottom of the ladder. Because of the 12-degree angle of the bottom of the ladder this will align the housing diagonally across the ladder side rail.
2. Mark the location of the "U" bracket on the bottom of the ladder and at the same time mark on the side of the ladder the location of the top mounting hole of the bottom roller housing. Measure these marks and transfer these measurements to the other ladder side rail so that the hardware will mount identically on both ladder side rails.
3. Using a 1/4" drill bit, drill a through hole in the ladder side rail for the 1/4-20 KD bolt.
4. Predrill the ladder side rail for the #10 x 3/4" screw
5. Install both the bottom roller guides using the included screws and KB bolts and acorn nuts.

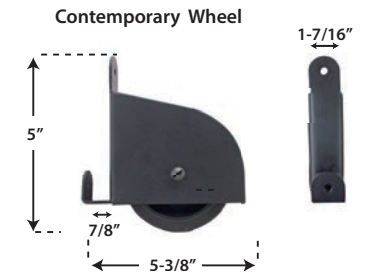
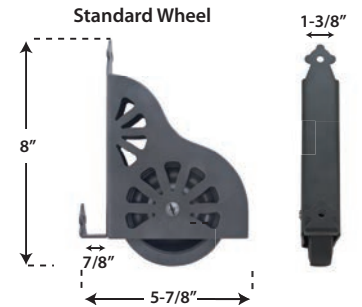
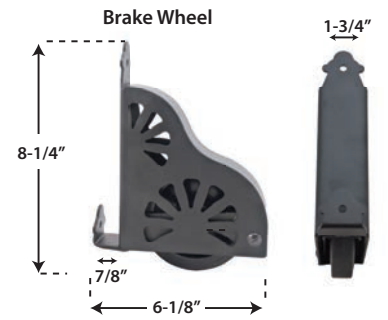
Top Ladder Hardware



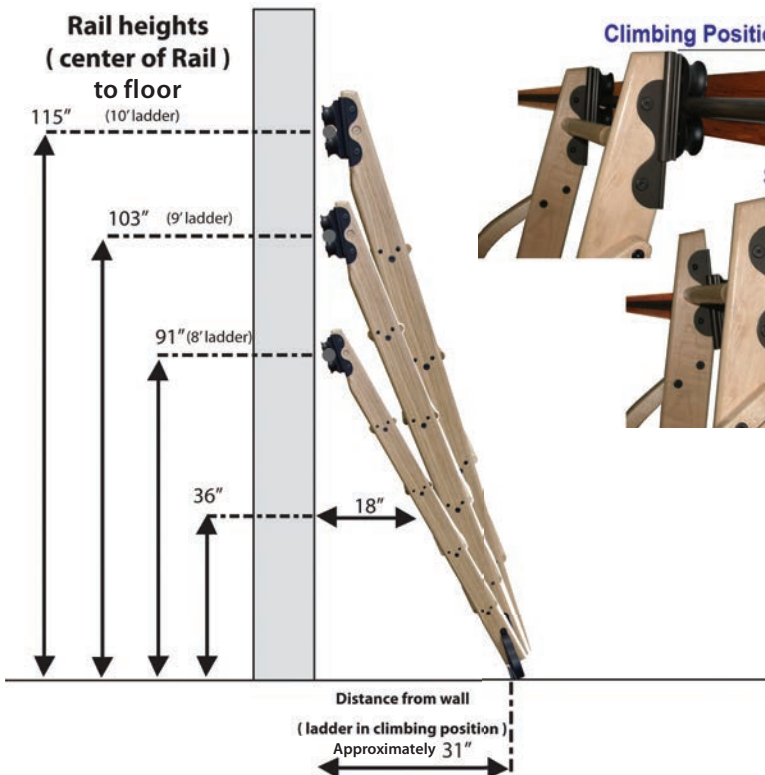
* Designed For Loft Applications



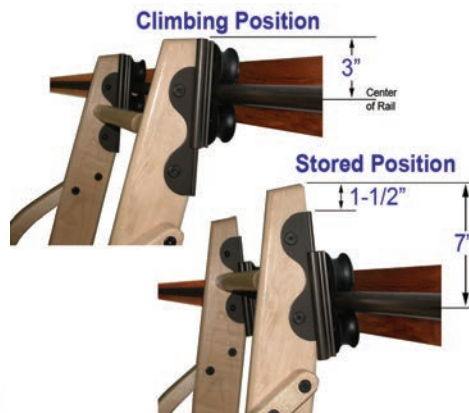
Bottom Ladder Hardware



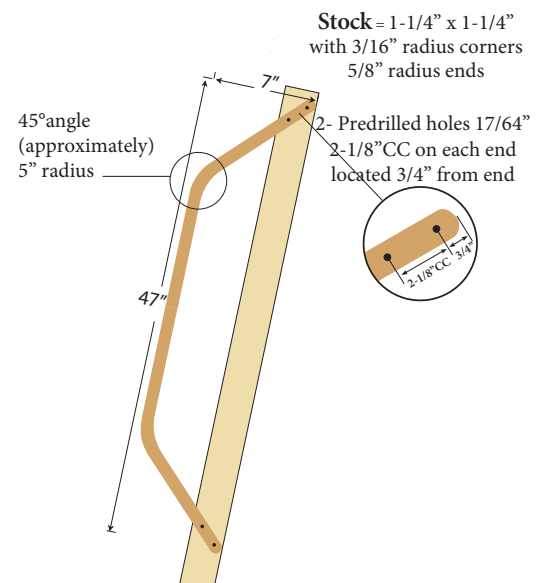
Rail Height and distance for 8', 9', 10' standard ladders



Top Ladder Clearance



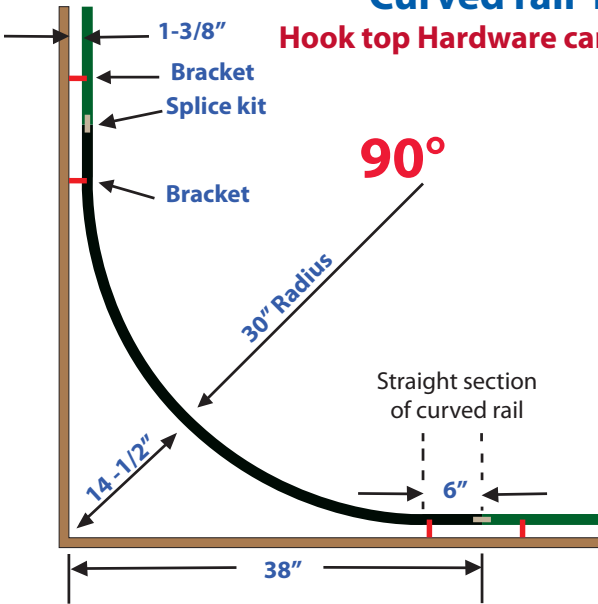
Hand Rail dimensions



Curved rail radius dimensions

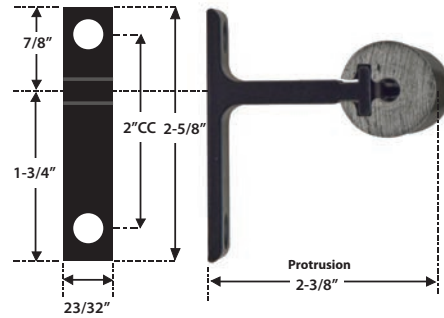
Hook top Hardware cannot be used with curved rails!

Rail Diameter = 1"

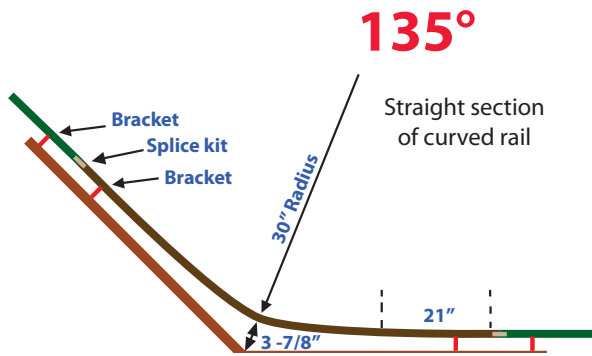
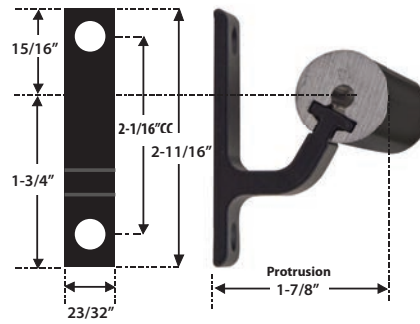


Vertical Rail Brackets

For Roller and Swivel Top Guides

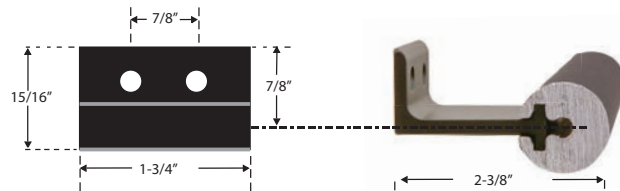


For Hook and Rolling Hook Top Guides

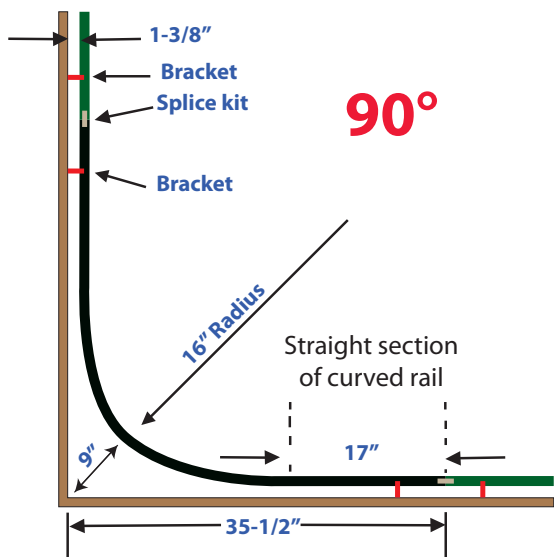
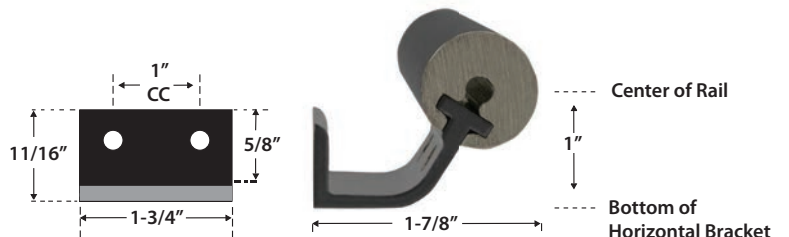


Horizontal Rail Brackets

For Roller and Swivel Top Guides



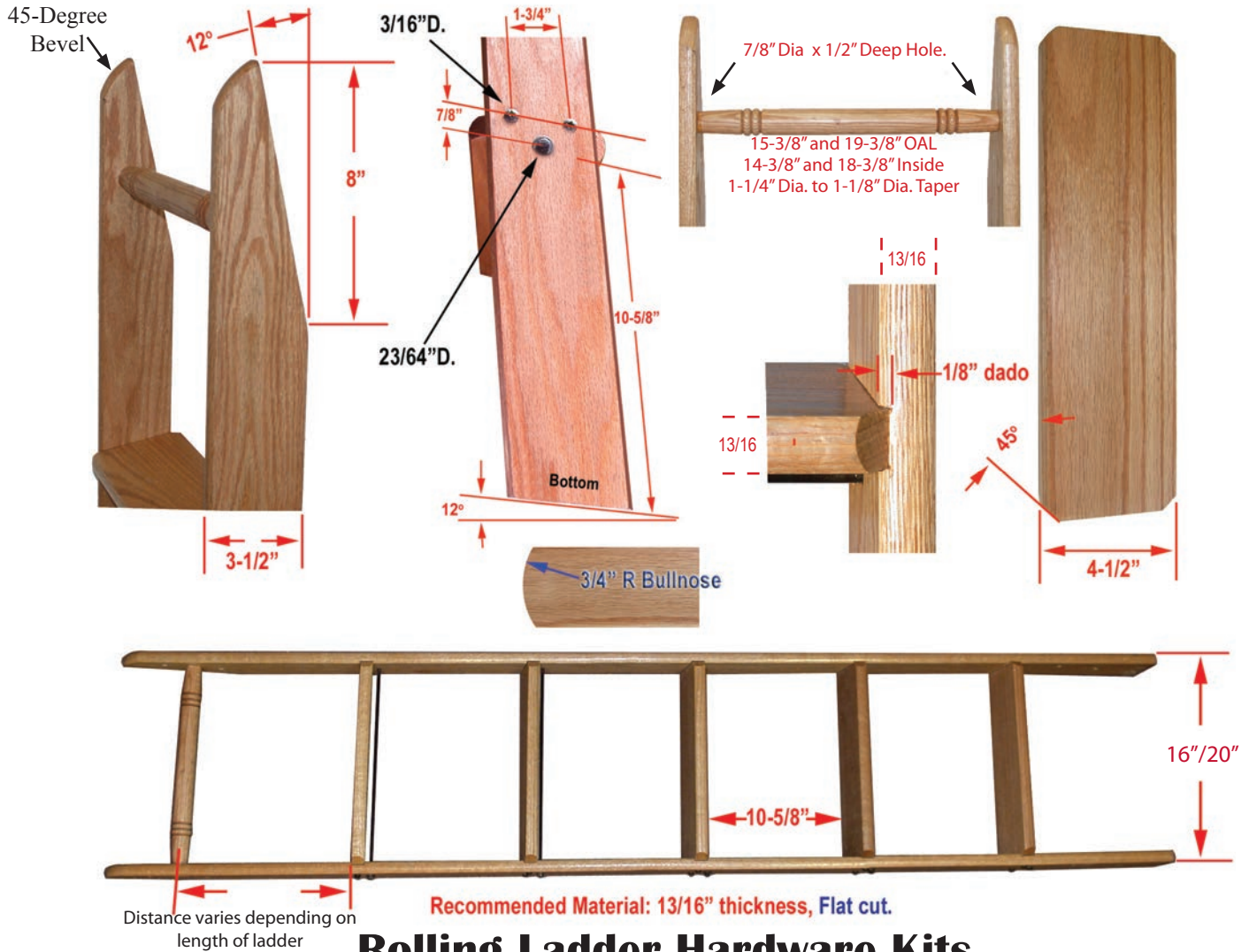
For Hook and Rolling Hook Top Guides





Make your own Ladder

To determine length of ladder: Measure from the center of rail to the floor, then *add five inches* to the measurement.



Rolling Ladder Hardware Kits

Patent Pending - Exclusive Patent on Rolling Hook Top Hardware



Rolling Hook upper guide



Roller upper guide

LIMITED LIFETIME WARRANTY

