



SORBUSTM

5 Drawer Storage



www.sorbushome.com
©Sorbus | Made in China

Package Contents:	A Wood Top 1PC	B Frame 1PC	C Frame 2PCS	D Frame 1PC	E Frame 1PC	F Frame Pole 2PCS
	G Pole 2PCS	H Screw 6PCS I Screw 16PCS	J Frame Screw 4PCS	K Hex Wrench a 1PC b 1PC	L Drawer Insert 3PCS 2PCS	M Drawer 3PCS 2PCS

FOR EACH STEP MAKE SURE THE FRAMES ARE FACING THE CORRECT DIRECTION!

1

Notice placement of these holes on the wood top (A) make sure the frames (B,C,D) are secured in the correct holes (if not the piece will be assembled backwards and the drawers won't fit).

Step 1: Secure frame (B) to wood top (A) as shown above with screws (H) then secure with wrench (K). The drawer stopper should be facing the back.

2

Step 2: Secure frames (C) to wood top (A) as shown above with screws (H) then secure with wrench (K). Please make sure the holes of the drawer top and the frame match the picture above. The drawer stopper should be facing the back.

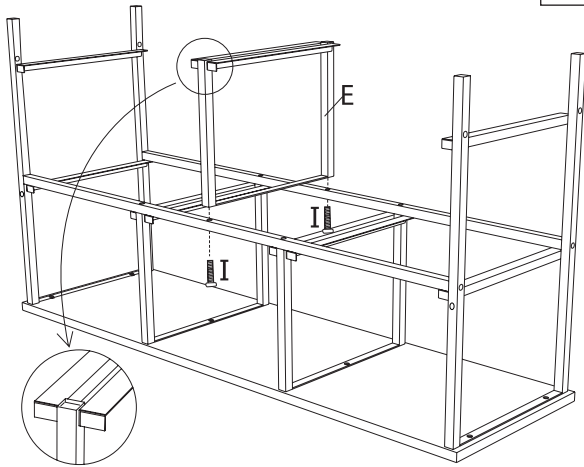
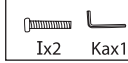
3

Step 3: Secure frame (D) to wood top (A) as shown above with screws (H) then secure with wrench (K). Please make sure the holes of the drawer top and the frame match the picture above. The drawer stopper should be facing the back.

4

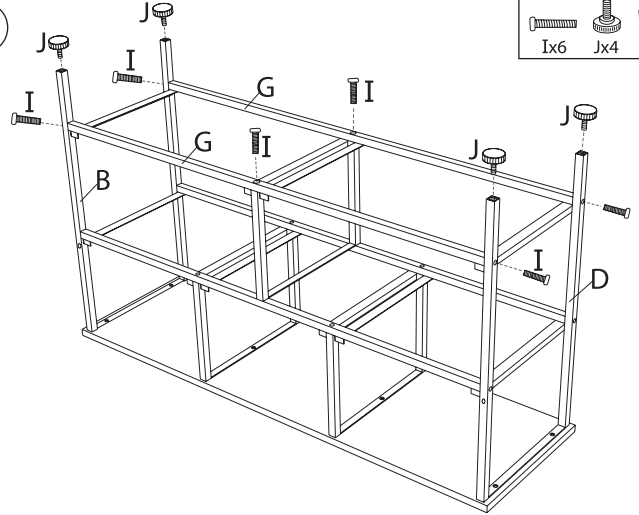
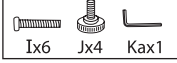
Step 4: Position the frame poles (F) into place and secure with screws (I) as shown. Make sure the holes are facing the right direction. Follow key above.

5



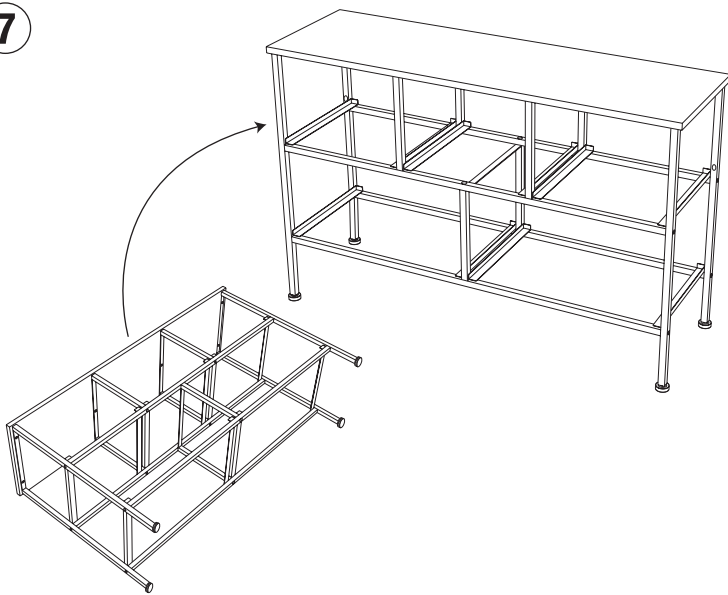
Step 5: Position frame (E) into place and secure with screws (I).

6



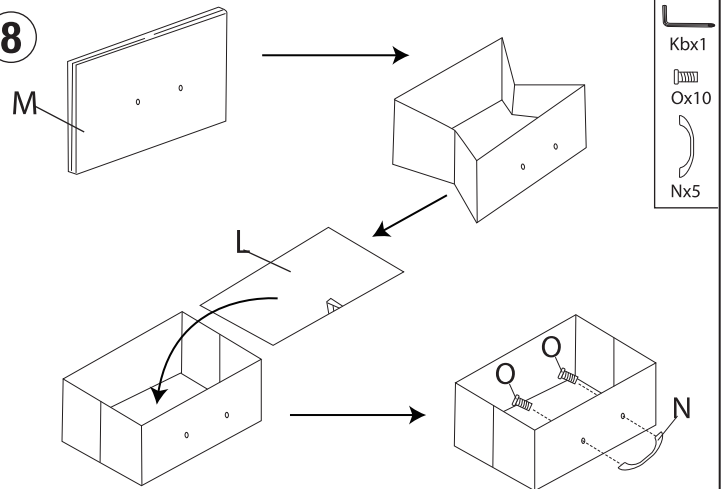
Step 6: Secure poles (G) with screws (I). Insert frame screws (J) into the legs of frames (B,D), twist until tight.

7



Step 7: Flip assembled shelf into position shown above.

8



Step 8: Unfold drawers (M) then place drawer insert (L) inside. Secure handle (N) and handle screws (O) to the drawers (M) using the wrench (K).

9



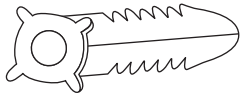
Step 9: Insert drawers within assembled storage dresser, then tighten installed screws.

10



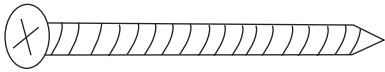
Step 10: Make sure everything is secure. Enjoy!

A Wall Anchor



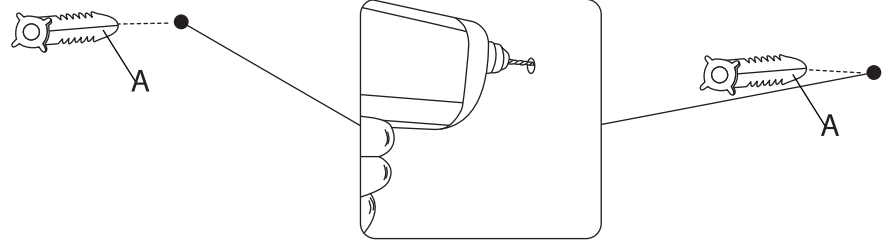
2PCS

B Wall Mount Screw



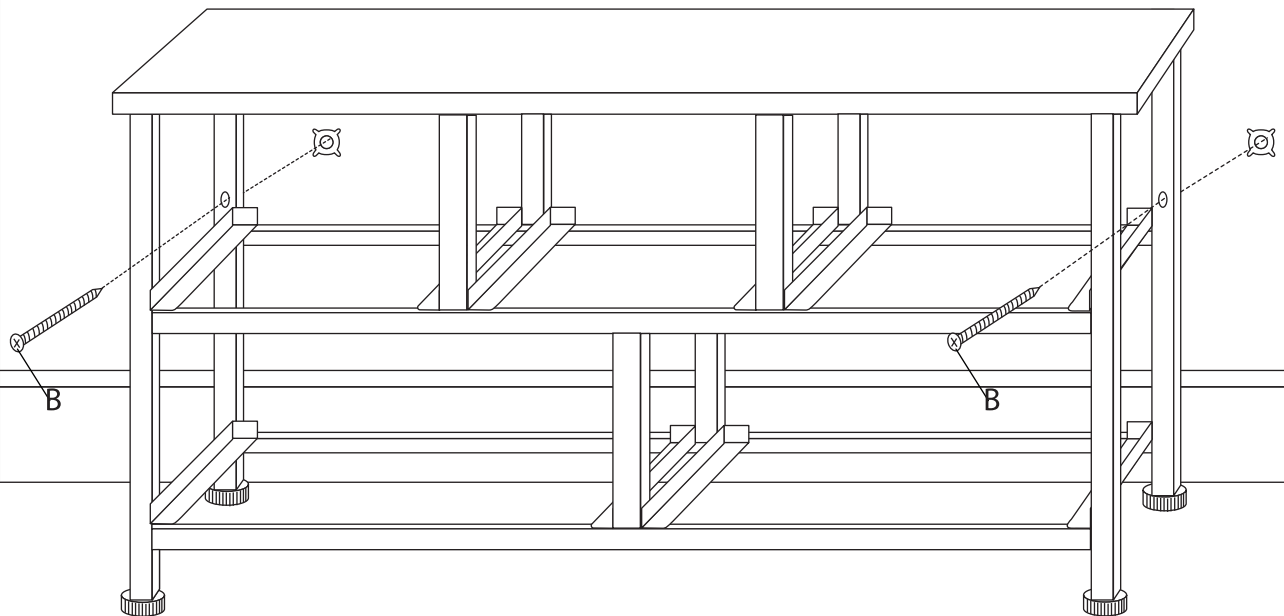
2PCS

1



Step 1: Drill a hole into the wall using a 6mm bit and gently insert the wall anchor (A) with the help of a hammer.

2



Step 2: Place the shelf against the wall, and insert the wall mount screws (B). After making sure everything is secure, feel free to use. Enjoy!