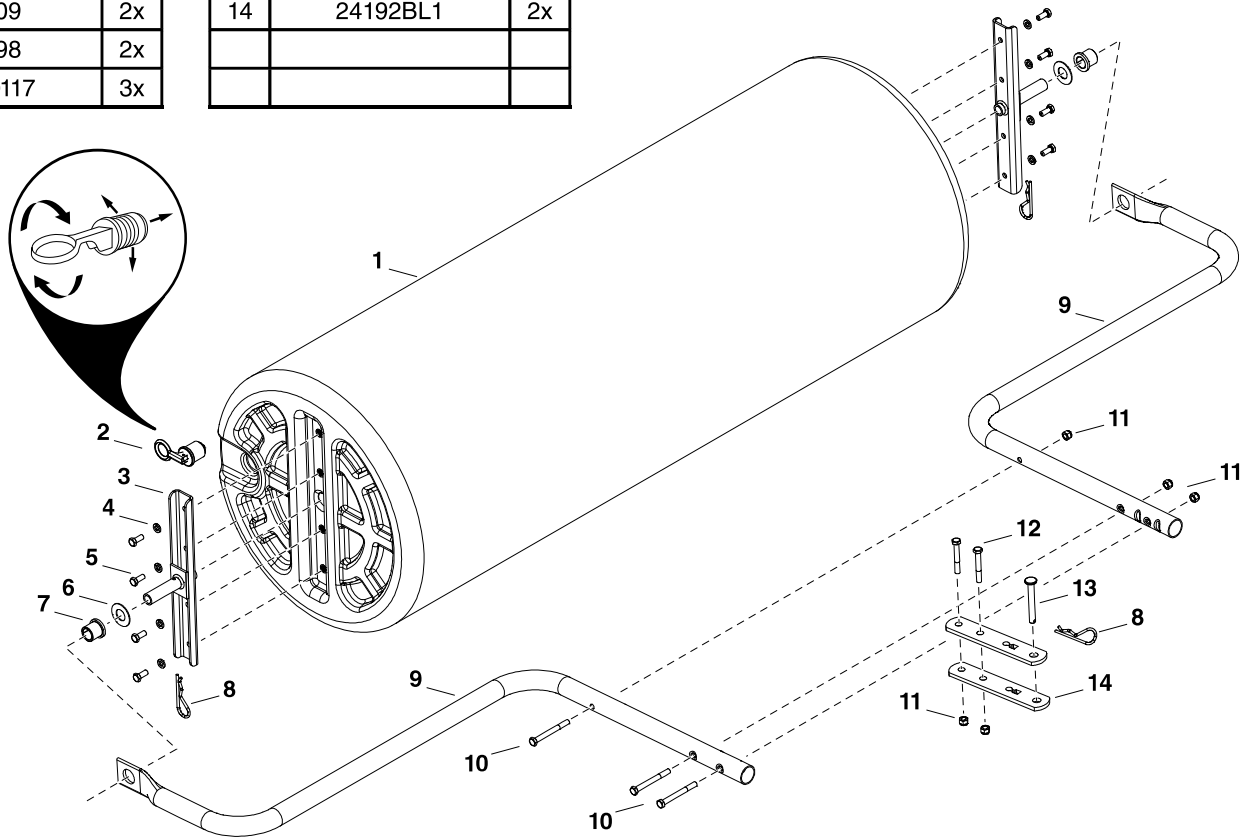


45-0604 / 45-0606

| | | |
|---|-------------|----|
| 1 | Roller drum | 1x |
| 2 | 49467 | 1x |
| 3 | 6-740BL3 | 2x |
| 4 | 43086 | 8x |
| 5 | 43182 | 8x |
| 6 | 43009 | 2x |
| 7 | 44798 | 2x |
| 8 | 714-0117 | 3x |

| | | |
|----|--|----|
| 9 | 2-631BL3 (45-0604) 2-639BL3 (45-0606) | 2x |
| 10 | 46782 | 3x |
| 11 | 47810 | 5x |
| 12 | 43224 | 2x |
| 13 | 47623 | 1x |
| 14 | 24192BL1 | 2x |
| | | |
| | | |



SpeedEPart *the fastest way to purchase parts* www.speedepart.com

REPAIR PARTS
 Agri-Fab, Inc.
 809 South Hamilton
 Sullivan, IL. 61951
 217-728-8388
www.agri-fab.com