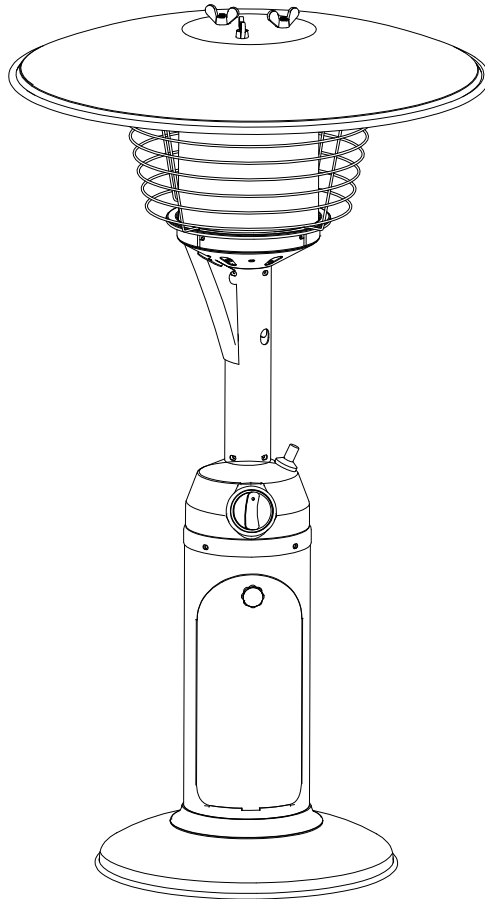


# OWNER'S MANUAL

## PATIO HEATER

MODEL# PHGHT





**ANS Z83.26-2014 • CSA 2.37-2014 Gas-Fired Outdoor Infrared Patio Heaters**



**Precaution!**

The Powder Coating paint process has become the most common widely used application in the outdoor furniture category. Unfortunately powder coating is extremely sensitive to Humidity and Moisture. A simple process to protect your furniture, especially flat surfaces is to apply a simple coat of good quality car wax prior to using. If this process is done every few months it will protect your furniture for years to come.

 <p><b>DANGER</b></p>	<p style="text-align: center;"><b>CARBON MONOXIDE HAZARD</b></p> <p><b>This appliance can produce carbon monoxide which has no odor.</b></p> <p><b>Using it in an enclosed space can kill you.</b></p> <p><b>Never use this appliance in a enclosed space such as a camper, tent, home.</b></p>
	

**WARNING:** Improper installation, adjustment, alteration, services or maintenance can cause injury, death or property damage. Read the installation, operating and maintenance instructions thoroughly before installing or servicing this equipment.

**Tools needed**  
 Adjustable opening wench 8”long  
 Philips head screwdriver  
 Leak detection solution

**WARNING:**  
**FOR OUTDOOR USE ONLY.**  
 Cylinders to be used must be constructed and Marked in accordance with US DOT specifications.

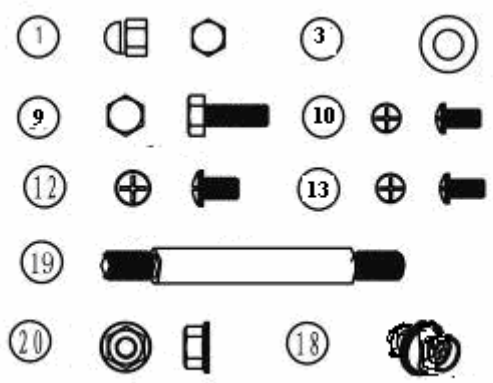
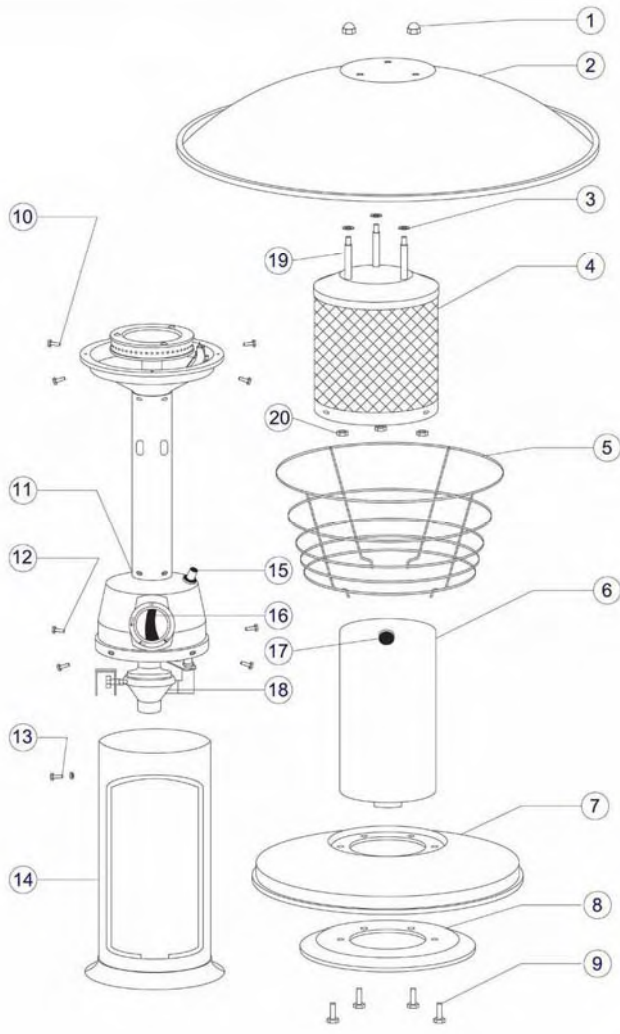
Storage indoors is permissible only if the cylinder is removed.

**CAUTION:**  
 The minimum inlet gas supply pressure for the purpose of input adjustment is 8 inches water column.  
 The maximum inlet gas supply pressure is 13 inches water column.  
 The gas manifold supply pressure must be regulated at 11 inches water column utilizing an approved regulator.

**Note:**  
 Use for lb.LPG tank, but it is not supplied.  
 CSA regulator is provided.

Rate	11000 BTU/hr
Gas	Propane ,LP
Gas cylinder	16.4 OZ
orifice	1.0MM
Manifold pressure	11” W.C
Supply pressure	Max. 150PSI, Min. 5PSI

1. 3xM6 Castle Nut
2. Reflector
3. 3x  $\varnothing$  6mm Washer
4. Emitter Screen
5. Guard
6. Door Plate
7. Base
8. Cast Iron
9. 4xM6x15mm Bolt
10. 4x3/16" Bolt
11. Burner
12. 4x3/16" Bolt
13. M5x10mm Bolt
14. Tank Housing
15. Igniter Button
16. Control Knob
17. Handle
18. Regulator
19. 3x60mm Pin
20. 3xM6 Flange Nut



**WARNING:**

This appliance must only be used outdoors.

Using this product in an enclosed area may cause injury, death, or property damage

Read the instructions before use.

This appliance must be installed in accordance with such regulations as are in force.

Do not use the heater in an explosive atmosphere.

Keep the heater away from areas where gasoline or other flammable liquids or vapors are stored.

Prior to use check for damaged parts such as hoses, regulators, pilot, or burner.

**Disconnect LPG** bottle before moving the heater.

Do not attempt to alter unit in any manner.

**Example:** using the heater without the top canopy reflector or radiant screen.

Do not shorten the burner post assembly.

The appliance shall not be used in basements or below ground level.

It must always be placed on a solid and level surface.

Always ensure there is ample fresh air ventilation.

For outdoor use only.

Maintain at least 50” top clearance to combustible materials surfaces.

Never replace or substitute the regulator with any regulator other than the factory suggested replacement.

Do not clean the heater with cleaners that are combustible or corrosive.

Do not paint radiant screen, control panel or top canopy

tests should be done with a soapy solution. **NEVER**

**USE AN OPEN FLAME TO CHECK FOR LEAKS**

The LP gas cylinder should be turned off when the heater is not in use.

Lubrication of moving parts and the type and amount of lubricant to be used.

At least once a year, the unit should be inspected for the presence of spiders, spider webs or other insects; check the heater immediately if any of the following exist:

- 1.The smell of gas in conjunction with extreme yellow colored tips of the burner flames.
- 2.The heater does not reach temperature
- 3.The burner makes popping noises during use (slight popping noises is normal when the burner is extinguished after using)

- (a).Children and adults should be aware of the hazards of high surface temperature and shall stay away to avoid burns or clothing ignition.**
- (b).Young children should be carefully supervised when they are in the area of the heater.**
- (c).Clothing or other flammable material should not be hung From the heater or placed on or near the heater.**
- (d).Any guard or other protective device removed for servicing the heater must be replaced prior to operation the heater**
- (e).Installation and repair should be done by a qualified service person. The heater should be inspected before use and cleaning may be required at least once a year or as necessary. It is imperative that control compartment burner and circulation air passageways of the heater be kept clean.**

Keep the appliance area clear of combustible materials such as gasoline and other flammable vapors and liquids.

**DO NOT** obstruct the flow of combustion and ventilation air reflector.

Keep the ventilation opening of the cylinder enclosure clear of any obstructions.

**NOTE:PLEASE READ THE FOLLOWING SAFETY RULES.**

The valve outlet must be maintained in good condition.

All gas connections should be checked for leaks utilizing a soap solution.

**Never** use a flame for the purpose.

**A leak test should be performed with soapy water**

Whenever connecting a new cylinder. Never use a match to test for leaks. If disassembly is required, a leak test should be performed with soapy water upon reassembly.

The heater is designed to operate with a standard 1 Lbs. propane cylinder with approved cylinder connection.

The gas manifold supply pressure must be regulated at 11 inches water column utilizing an approved regulator.

The minimum inlet gas supply pressure for the purpose of input adjustment is 8 inches water column. The maximum inlet gas supply pressure 13 inches water column.

- (1). The cylinder supply system must be arranged for vapor withdrawal.
- (2). The cylinder used must include a collar to protect the cylinder valve  
only cylinders marked "propane" must be used.

**Warning:**

**1.Do not** store a spare LP-gas cylinder under or near this appliance

**2.Never** fill the cylinder beyond 80 percent full

**Warning:**

**LP-gas supply cylinder to be used must be:**

1. Constructed and marked in accordance with the specifications for LP-gas cylinders of the U.S. Department of transportation (DOT); or the standard for cylinders, spheres, and tubes for transportation of dangerous goods and commission, CAN/CSA-B339,as appliance;
2. Provided with a listed overfilling prevention device; and
3. Provided with a cylinder connection device compatible with the connection for the appliance.

**Save these instructions! Retain in a safe place for future reference.**

**WARNING:**

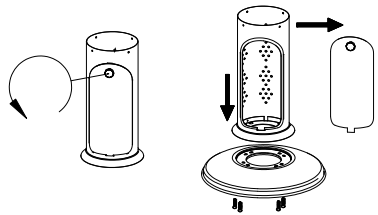
Proper assembly is the responsibility of the installer, Place heater in a well-ventilated space and do not place in a building, garage or any other enclosed area. An appliance must installed with shelter no more inclusive than: 1. With walls on all sides, but with no overhead cover.

2. Within a partial enclosure which includes an overhead cover and no more than two side walls. These side walls may be parallel, as in a breezeway, or at right angles to each other. 3. Within a partial enclosure which includes an overhead cover and three side walls, as long as 30% or more of the horizontal periphery of the enclosure of permanently open.



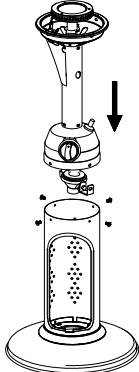
**ASSEMBLY**

**STEP 1**



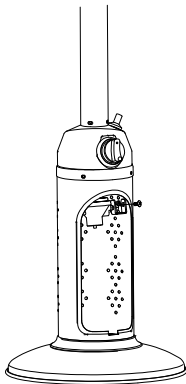
1-1. Use 4 pcs M6x15mm Bolts to fix the Tank Housing to the Base & Cast Iron.  
1-2. Tighten the Bolts as shown above.

**STEP 2**



2-1. Put the Burner on the Tank Housing then fix them with 4 pcs 3/16" Bolts.

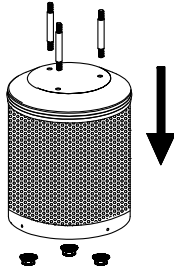
**STEP 3**



3-1. Fix the Regulator to the Tank Housing with the M5x10mm Bolt & M5 Nut.



**STEP 4**



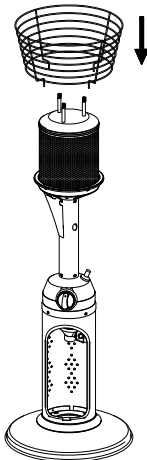
4-1. Fix 3 pcs Pins of 60mm length to the Emitter Screen with 3 pcs Flange Nuts then tighten them.

**STEP 5**



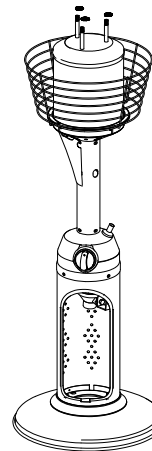
5-1. Put the Emitter Screen on the Burner.  
5-2. Use 4 pcs 3/16" Bolts to connect the Emitter Screen to the Burner. Tighten the Bolts.

**STEP 6**



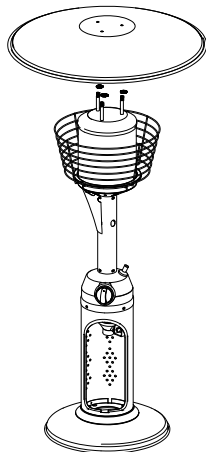
6-1. Put the Guard on the Burner through the Emitter Screen.  
6-2. Put the ends of the Guard into the holes of the Burner.

**STEP 7**



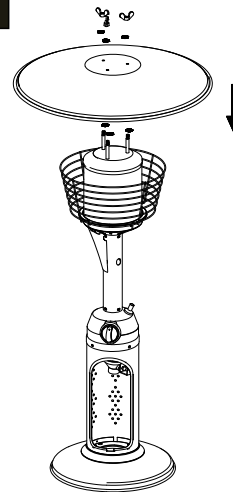
7-1. Put 3 pcs Washers on each Pins of the 60mm length.

**STEP 8**



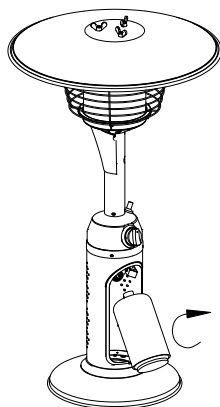
8-1. Put the Reflector through the Pins and on the Washers.

**STEP 9**



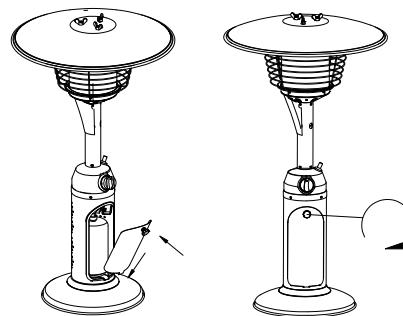
9-1 . Fasten the Reflector with 3 pcs M6 Castle Nuts.

**STEP 10**



10-1. Turn off the Control Knob of the Burner.  
10-2. Fix the 1.02 lbs. Gas Tank (not included) to the Regulator (rotate the Gas Tank clockwise toward the Regulator until tighten it).

**STEP 11**



11-1. Close the Door Plate and lock it with the Handle (rotate the Handle 90 degrees)

**Warning:**

The cylinder uses must include a collar to protect the cylinder valve.

Do not store a spare LP-gas cylinder under or near this appliance.

Never fill the cylinder beyond 80percent full.



**WARNING: DO NOT attempt to operate heater until you have read and understood all precautions.**

**Failure to do so can result in serious personal injury, death and/or property damage.**

**Before turning gas supply ON**

Your heater was designed and approved for **OUTDOOR USE ONLY**.

Do Not use it inside a building ,or any other enclosed area.

Make sure surrounding areas are free of combustible materials, gasoline And other flammable vapors or liquids.

Ensure that there is no obstruction to air ventilation.

Be sure all gas connections are tight and there are no leaks.

Be sure that access panels clear of debris.

Be sure any component removed during assembly or servicing is replaced and fastened prior to starting.

**Before Lighting**

Heater should be thoroughly inspected before each use, and by a qualified service person at least annually.

If relighting a hot heater, always wait at least 5mins.

Our heater is tested for quality assurance.

Ignition attempts should succeed 8 out of 10 attempts.

**LIGHTING INSTRUCTIONS**

1. Turn the control knob to “OFF” position
2. Open base assembly door
3. Turn gas supply “ON” by connecting propane cylinder to regulator inlet.  
Check for leaks by applying soap solution to cylinder and regulator connection.
4. Push in gas control knobs lightly and turn counterclockwise to “ON” this will light the burner. If needed, keep depressing and turn control knob counterclockwise until the burner lights.
- 5.Keep the control knob depressed or at least 30 seconds after lighting burner. After 30 seconds release the control knob.
- 6.If burner does not stay lit, repeat steps 4 to 5
- 7.When burner is lit, turn gas control knob counterclockwise to desired higher setting.
- 8.Close base assembly door.

Note: The flame pattern at the emitter grid should be visually checked whenever heater is operated. Normally the burner flame is blue, but a little yellow flame is acceptable.

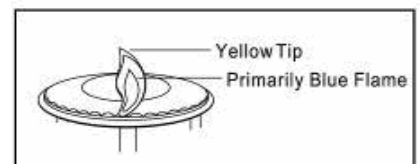
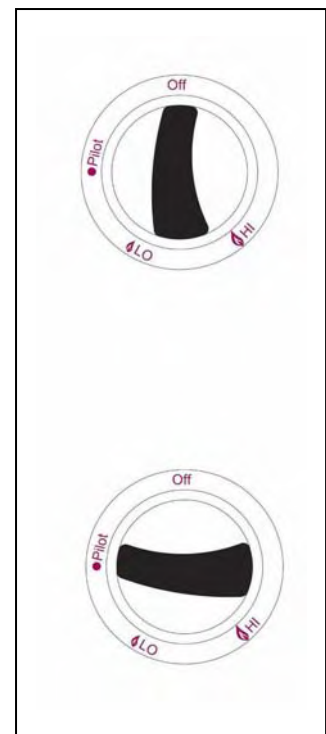
If flames extend beyond the emitter grid or there are black spots that have accumulated on the emitter grid or reflector, immediately turn off the patio heater, the heater should not be operated again until it has been serviced and repaired by a qualified gas technician.

**WARNING FOR YOU SAFETY:**

If at any time you are unable to light burner and smell gas, wait 5 minutes to allow gas to dissipate before attempting to light heater. If after 1 minute, you are unable to light burner, wait 5 minutes and allow flammable vapors to dissipate before attempting to light heater again.

**WARNING FOR YOUR SAFETY**

**DO NOT** touch or move heater for at least 45 minutes after use. Allow emitter and dome to cool before touching.



**CAUTION: Avoid inhaling fumes emitted from the heater's first use. Smoke and odor from the burning of oils used in manufacturing will appear. Both smoke and odor will dissipate after approximately 30 minutes. The heater should NOT produce thick black smoke.**

**Note:**

The burner may be noisy when initially turned on. To eliminate excessive noise from the burner, turn the control knob to the "LOW" position, then turn the knob to the level of heat desired.

**When heater is ON:**

Emission screen will become bright red due to intense heat.

Burner will display tongues of blue flame. These flames should NOT be yellow or produce thick black smoke. This indicates an obstruction of airflow through the burners

**Operation Pressure Checked**

If the flame is very small, this is because the supply pressure is not enough to light.

1. Turn the control knob to "OFF" position.
2. Wait five minutes before attempting to relight pilot.
3. Repeat steps beginning with step 2 on page 9.

**Before Leaving**

1. Turn the control knob to "OFF" position.
2. Never leave the patio heater unattended while in use.

**Shut down instructions**

1. Push in and turn control knob clockwise to "OFF" position.
2. Disconnect the LP cylinder when heater is no in use.

**Note: after use, some discoloration of the emitter screen is normal**

**The event of gas leakage**

1. Turn the control knob to "OFF" position
2. Wait 5 minutes to allow gas to dissipate
3. If odor continues, immediately call gas supplier

**WARNING:**

Heater will be hot after use; handle with extreme care.

**BE CAREFUL: WHEN CERTAIN MATERIALS OR ITEMS ARE LEFT ABOVE, BESIDE OR UNDER THIS HEATER WHILE IN USE, THEY WILL BE SUBJECT TO RADIANT HEAT AND COULD BE SERIOUSLY DAMAGED.**

This heater is primarily used for the heating of outdoor patios, decks, spas, pool and open working areas.

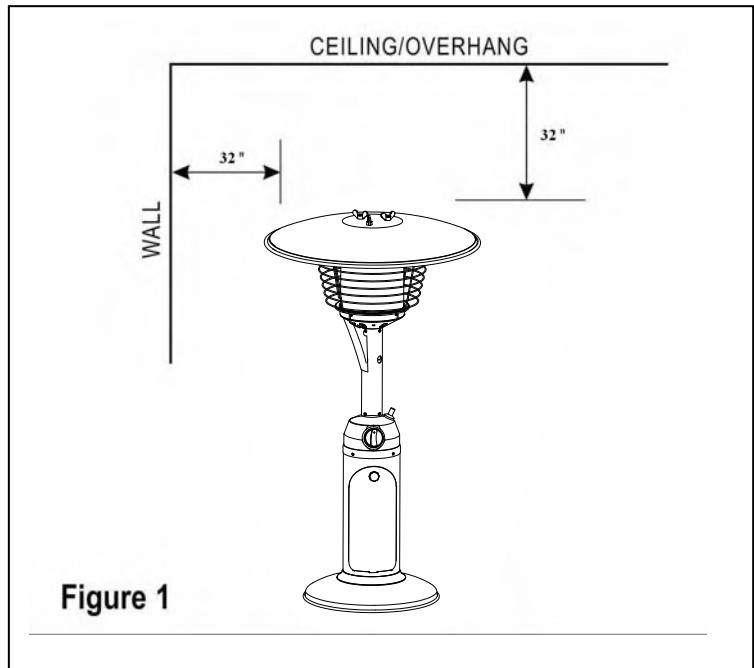
Always make sure that adequate fresh air ventilation is provided. Follow the spacing tolerances shown in Figure 1.

The minimum clearances, shown in Figure 1, must be maintained at all times.

The installation must conform to local codes or in the absence of local codes, with the standard for the storage and handling of liquid petroleum gases, ANS/NFPA 58-1986. Or most recent addition. For Canada, with the current CAN1-B149.

The heater must be placed on level firm ground.

Never operate in an explosive atmosphere. Keep away from areas where gasoline or other flammable liquids or vapors are stored or used.



**Check your hose assembly:**

The installation shall only be carried out by competent persons and be in accordance with the relevant codes of practice.

Warning: This appliance requires regulator. Check with your gas supplier and or products supplier.

Prior to use, check for damaged parts such as regulator, pilot or burner. Never replace or substitute the regulator with any regulator other than the factory suggested replacement.

**Check you flame:**

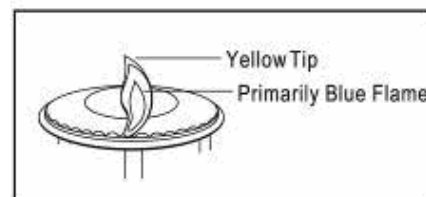
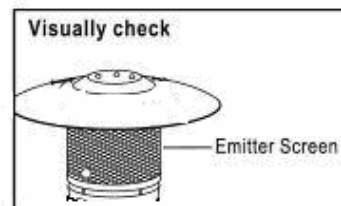
The flame pattern at the emitter screen should be visually checked whenever heater is operated.

Normally the burner flame is blue, but little yellow flame is acceptable. If flame extend beyond the emitter grid or there are black spots that have accumulated on the emitter grid or reflector, immediately turn off the patio heater. The heater should not be operated again until it has been serviced and repaired by a qualified gas technician.

**Clean:**

To enjoy years of outstanding performance from your heater make sure You perform the following maintenance activities a regular basis:

1. Keep exterior surfaces clean:
  - Use warm soapy water for cleaning. Never use flammable or corrosive cleaning agents.
  - While washing your unit, be sure to keep the area around the burner and pilot assembly dry at all times. If the gas control is exposed to water in any way: do not try to use it. It must be replaced.
2. Air flow must be unobstructed. Keep controls, burner, and circulating air passageways clean. Signs of possible blockage include:
  - Gas odor with extreme yellow tipping of flame.
  - Heater does not reach the desired temperature.
  - Heater glow is excessively uneven.
  - Heater makes popping noises.
3. Spiders and insects can nest in burner or orifices. This dangerous condition can damage heater and render it unsafe for use. Clean burner holes by using a heavy-duty pipe cleaner. Compressed air may help clear away smaller particles.
4. Carbon deposits may create a fire hazard. Clean dome and emitter screen with warm soapy water if any carbon deposits develop.



**WARNING**  
**FOR YOUR SAFETY:**  
 DO NOT touch or move heater for at least 45 minutes after use  
 Allow all burner elements to cool before touching

**NOTE:**  
 In a salt-air environment (such as near an ocean) corrosion occurs more quickly than normal. Frequently check for corroded areas and repair them promptly

**STORAGE:****Between uses:**

Turn the control knob to “OFF” position.

Open the door, and disconnect the cylinder.

Store heater upright in an area sheltered from direct contact with inclement weather (such as rain, sleet, hail, snow, dust and debris).

If desired, cover heater to protect exterior surfaces and or help prevent debris in air passages.

**During periods of extended inactivity or when transporting:**

Turn the control knob to “OFF” position.

Disconnect LP cylinder and move to a secure, well-ventilated location outdoors. **Do NOT** store in a location that will exceed 125 degrees F.

The propane cylinder must be stored outdoors in well-ventilated area, and it must be out of reach of children, and not in a building, garage or any other enclosed area.

**NOTE:**

Wait until heater is cool before covering

<b>PROBLEM</b>	<b>PROBABLE CAUSE</b>	<b>SOLUTION</b>
<b>Pilot will not light</b>	<b>Gas valve may be OFF</b>	<b>Turn the gas valve ON</b>
	<b>Fuel tank empty</b>	<b>Refill LP gas tank</b>
	<b>Orifice blocked</b>	<b>Clean or replace orifice</b>
	<b>Air in supply system</b>	<b>Purge air from lines</b>
	<b>Loose connection</b>	<b>Check all fittings</b>
<b>Pilot will not stay on</b>	<b>Debris around pilot</b>	<b>Clean dirty area</b>
	<b>Loose connection</b>	<b>Tighten connection</b>
	<b>Thermocouple bad</b>	<b>Replace thermocouple</b>
	<b>Gas leak in line</b>	<b>Check connection</b>
	<b>Lack of fuel pressure</b>	<b>Fuel tank is near empty</b>
<b>Burner will not light</b>	<b>Pressure is low</b>	<b>Fuel tank is near empty</b>
	<b>Orifice blocked</b>	<b>Remove, clean and replace</b>
	<b>Control valve no ON</b>	<b>Turn valve to ON</b>
	<b>Thermocouple bad</b>	<b>Replace thermocouple</b>
	<b>Pilot light assembly bent or not in correct location</b>	<b>Place pilot in proper position and retry</b>