

DESCRIPTION :

• **SELF-CLOSING BASIN FAUCET**

OPERATION :

- Single Handle

FLOW :

- Flow is limited to 1.2 GPM (4.52 LPM) at 60 PSI

CARTRIDGE :

- Compression cartridge

STANDARDS & CERTIFICATIONS :

- ASME A112.18.1/CSA B-125.1 and all applicable requirements referenced therein
- cUPC, NSF 61-9 and Lead Free Certified by IAPMO
- Contains no more than 0.25% weighted average lead content
- NSF/ANSI 372 Compliant

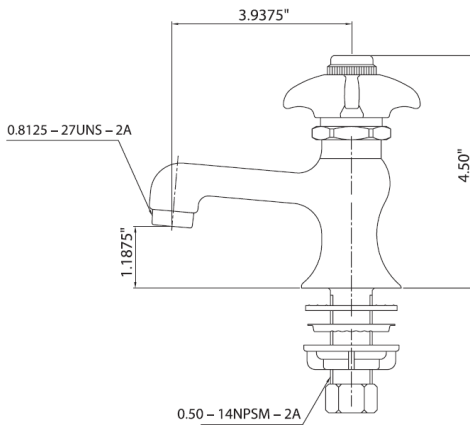


SELF-CLOSING BASIN FAUCET

3210-151-CH-BC-Z – Chrome

The following certification files can be found on www.iapmo.org under model **3210-151-CH-BC-Z**

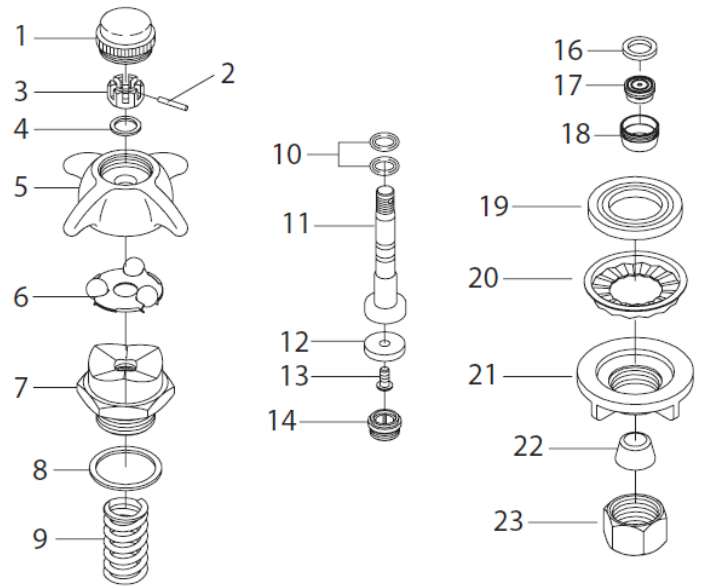
- cUPC – File 3605
- Lead Free – File 5942
- NSF61 – File N-6772



WARRANTY :

- Lifetime limited warranty against leaks, drips and finish defects to the original consumer purchaser
Unit: INCH

PART	DESCRIPTION	PART #
1	Top nut	RP 01440
2	Pin	
3	Adjusting nut	
4	Washer	
5	Handle	RP 01441
6	Ball plate	
7	Bonnet	
8	Packing nut	RP 01442
9	Spring	
10	O-ring	
11	Stem	
12	Seat washer	RP 01415
13	Screw	
14	Seat	RP 00418
15	Aerator washer	
16	Aerator	
17	Aerator shell	
18	Rubber washer	
19	Metal washer	RP 00418
20	Mounting nut	
21	Cone washer	
22	Coupling nut	



Homewerks product specifications in U.S. customary units and metric are approximate and are provided for reference only. For precise measurements, please contact Homewerks Technical service. Homewerks reserve the right to change or modify product design, construction, specifications or materials without prior notice and without incurring any obligation to make such changes and modifications on Homewerks products previously or subsequently sold.