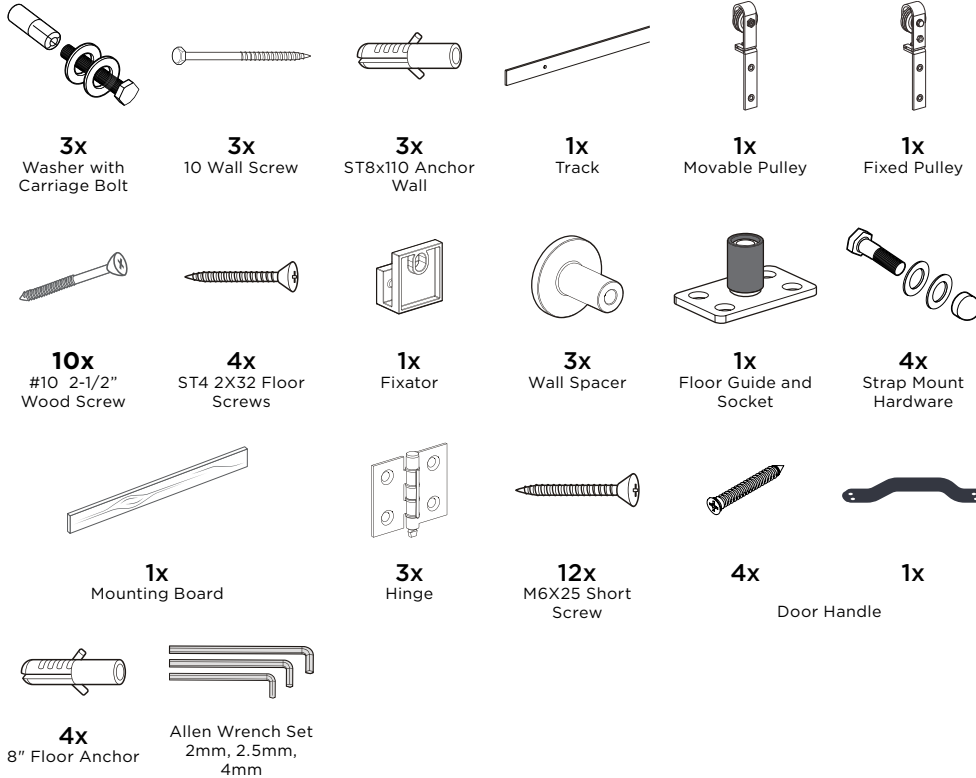


Bifold Barn Door Installation Guide



WITH STRAIGHT STRAP HARDWARE KIT

HARDWARE INCLUDED



Before You Begin

Read instructions fully. Not following installation instructions can cause the unit to work in an unsafe manner and cause injury.

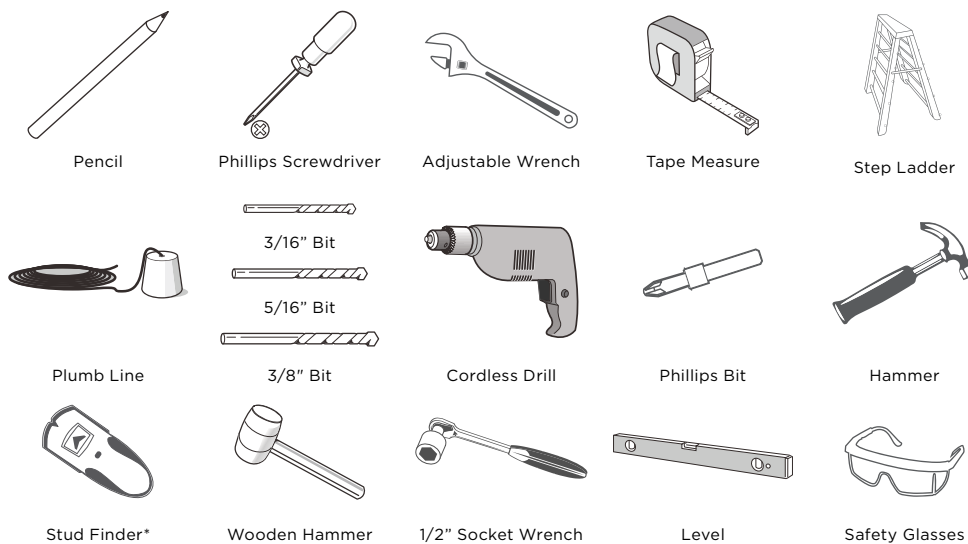
The bifold barn door kit has been designed to work as a total system. Any modification to the door or the hardware will void the warranty and may cause the unit to work improperly.

The weight of the barn door requires two people during installation.

Always wear appropriate personal protection equipment when using tools and follow manufacturer's operating instructions.

When installing directly into a non-concrete wall, the provided **wood mounting board** must be securely attached to wall studs using a stud finder and included hardware before installing track.

TOOLS REQUIRED

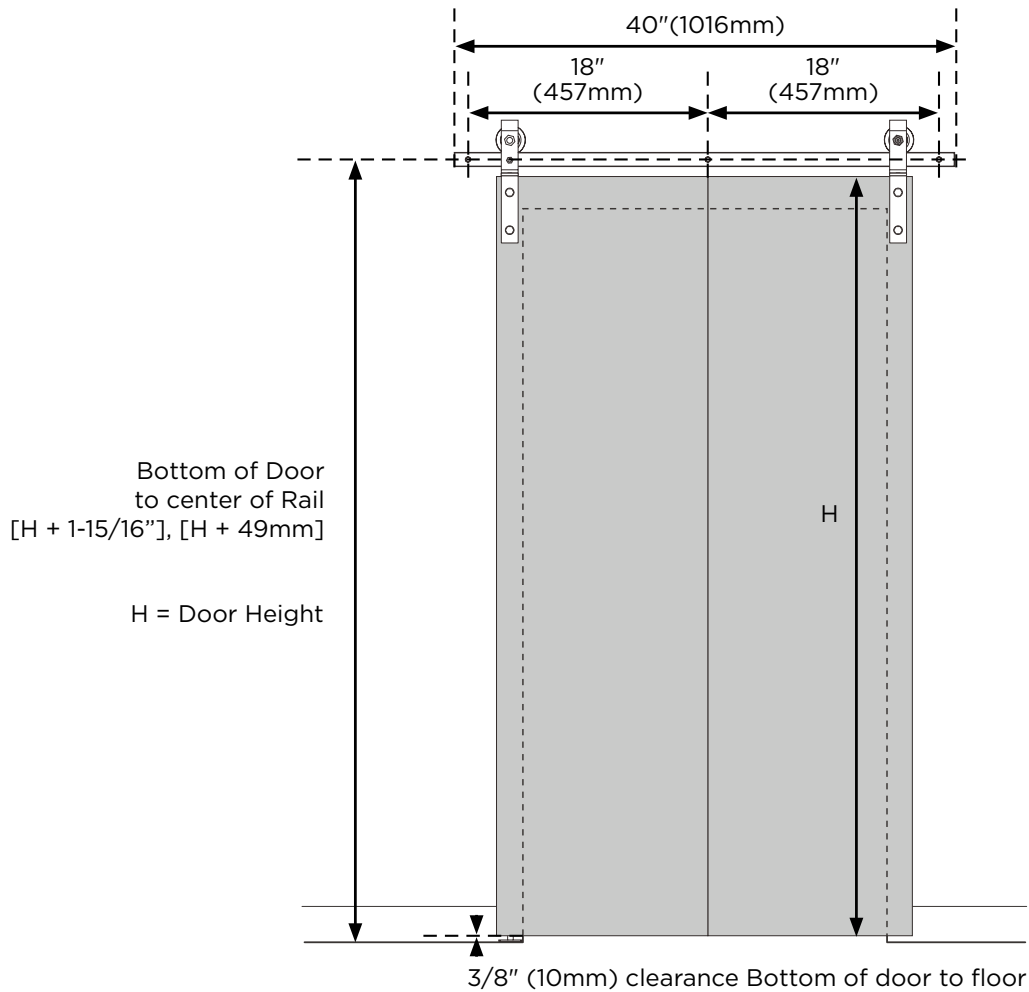


*Depending on door model and mounting application
NOTE: if installing in concrete, a 5/16" masonry bit will be needed

Bifold Barn Door Installation Guide



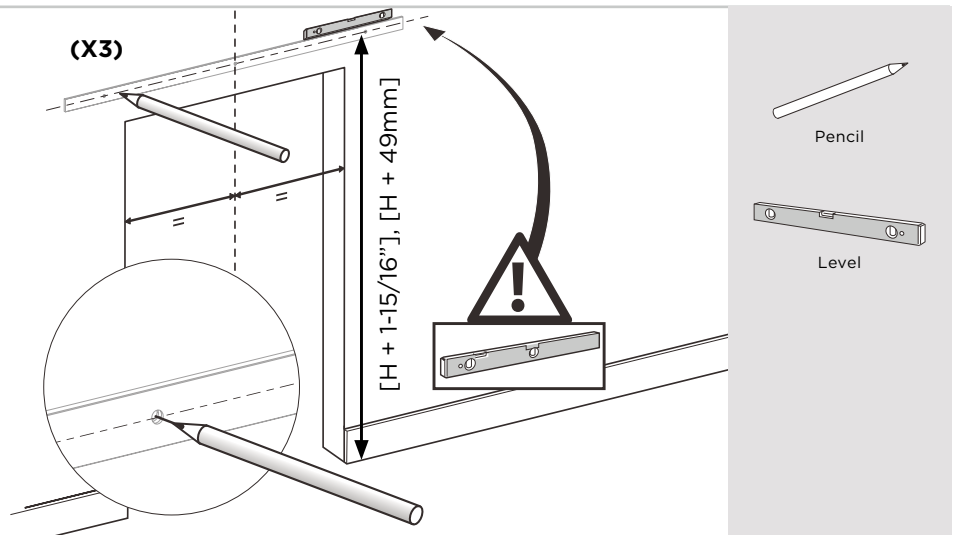
WITH STRAIGHT STRAP HARDWARE KIT



1 LOCATE SPACER HOLES

1.1. Location of track = [H + 1-15/16\"], [H + 49mm]. Mounting board is centered above opening.

1.2. Use your guide marks to position the tracks in place, ensuring that it is level.



Bifold Barn Door Installation Guide



WITH STRAIGHT STRAP HARDWARE KIT

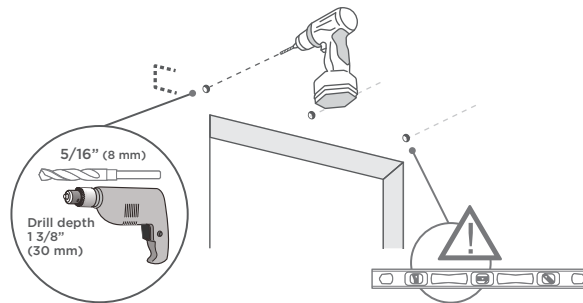
2 WALL PREPARATION (FOR CONCRETE INSTALLATION ONLY)

IF INSTALLING INTO DRYWALL, PLEASE PROCEED TO STEP 4.

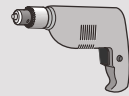
Ensuring the track is level and using it as a template, mark mounting hole locations for the track using a pencil. (FIGURE 1) See installation tip below.

For Concrete: Predrill the concrete at marked locations using 5/16" masonry drill bit.

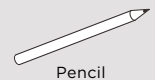
FIGURE 1. Drill mounting holes in concrete



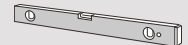
Hammer



Cordless Drill



Pencil



Level



5/16" Bit

3 WALL PREPARATION (FOR CONCRETE INSTALLATION ONLY)

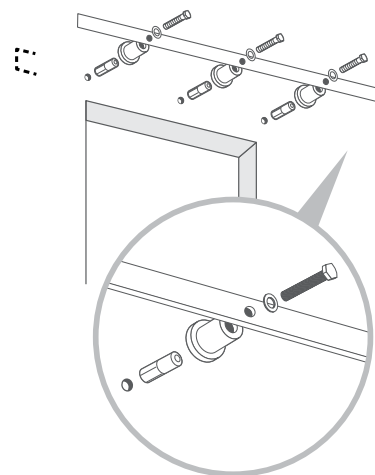
Install track with bolts, washers and spacers using 1/2" wrench. (FIGURE 2)

For Concrete: After completing this step, proceed to Step 11.

Remove metal anchors from bolts and install into holes using a hammer. (FIGURE 2)

INSTALLATION TIP: Locate and temporarily install track with one end bolt without spacer. This will hold one end of the track up so you can move the free end to ensure the track will be level then proceed to mark the other locations of mounting holes.

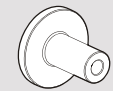
FIGURE 2. Track mount



3x
Washer with
Carriage Bolt



1/2" Socket
Wrench



3x
Wall Spacer

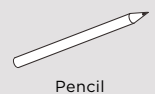
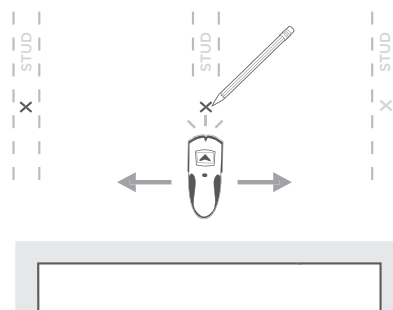
4 LOCATE WALL STUDS (FOR DRY WALL INSTALLATION ONLY)

Use a **stud finder** to locate wall studs above door and in direction of door travel.

Mark locations of three studs onto the wall where you will be installing your mounting board.



To ensure secure installation, review stud finder user instructions.



Pencil



Stud Finder

Bifold Barn Door Installation Guide

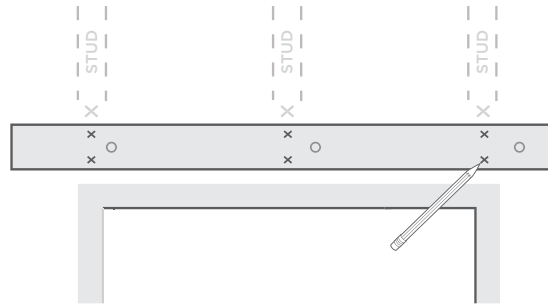


WITH STRAIGHT STRAP HARDWARE KIT

5 MARK STUD LOCATIONS ONTO MOUNTING BOARD (FOR DRY WALL INSTALLATION ONLY)

With an **assistant** holding mounting board in place, mark stud locations onto **mounting board**, with two marks per stud, above and below center.

Make sure stud marks do not interfere with track mounting hole marks drawn in Step 1.



Pencil



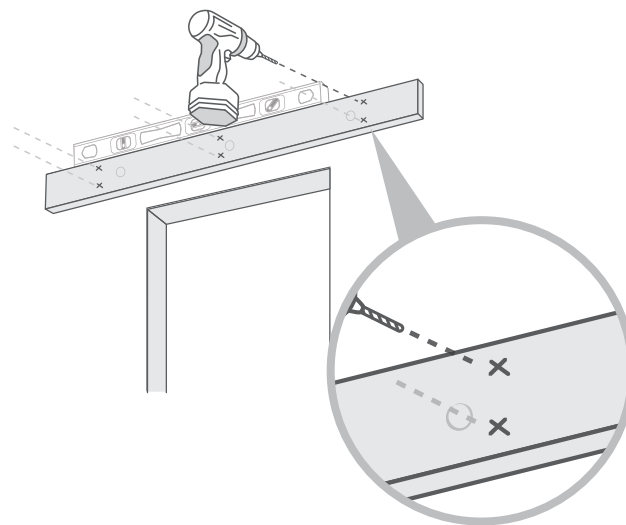
Mounting Board

6 DRILL PILOT HOLES THROUGH MOUNTING BOARD INTO WALL STUDS (FOR DRY WALL INSTALLATION ONLY)

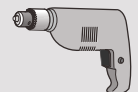
With an **assistant** holding mounting board in place, use a **3/16" bit** to drill pilot holes through mounting board and into wall studs at marked locations.



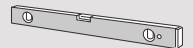
The use of a level is recommended to ensure a level mounting board and track.



3/16" Bit



Cordless Drill



Level

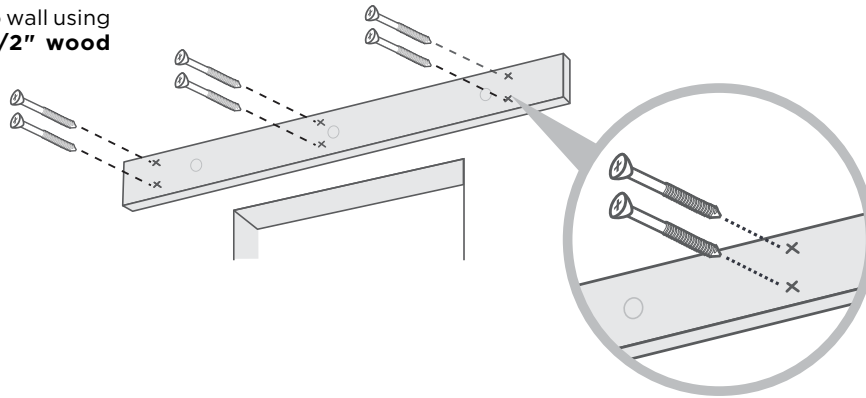
Bifold Barn Door Installation Guide



WITH STRAIGHT STRAP HARDWARE KIT

7 ATTACH MOUNTING BOARD TO WALL (FOR DRY WALL INSTALLATION ONLY)

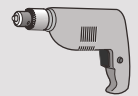
Attach mounting board to wall using Phillips bit and **#10 2-1/2" wood screws**.



10x
#10 2-1/2"
Wood Screw



Phillips Bit

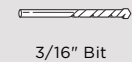
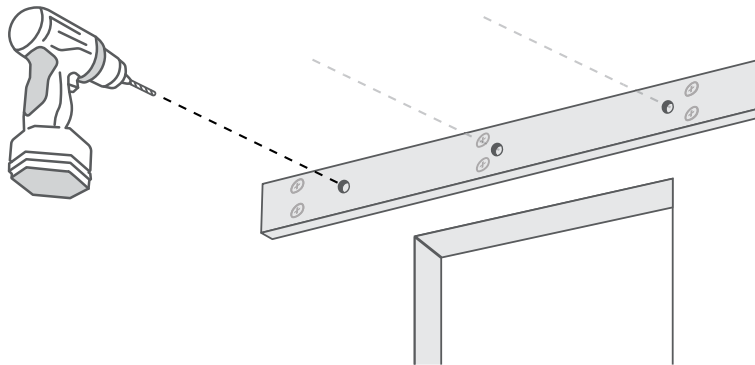


Cordless Drill

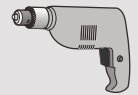
8 DRILL HOLES INTO MOUNTING BOARD FOR TRACK (FOR DRY WALL INSTALLATION ONLY)

Once the mounting board is installed, center the track above the door opening and mark the track holes on the mounting board with a pencil.

Use a **3/16" bit** to drill pilot holes through mounting board and into drywall.



3/16" Bit

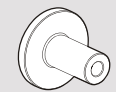
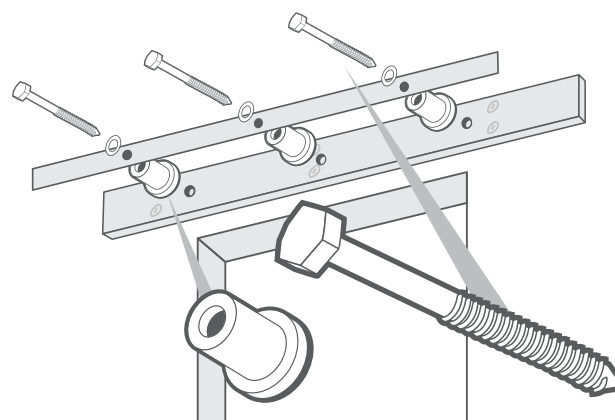


Cordless Drill

9 ATTACH TRACK TO MOUNTING BOARD (FOR DRY WALL INSTALLATION ONLY)



The use of wall anchors are recommended if not installing a header board.



3x
Wall Spacer



3x
10 Wall Screw



1/2" Socket
Wrench



Track

Bifold Barn Door Installation Guide



WITH STRAIGHT STRAP HARDWARE KIT

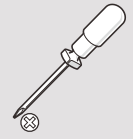
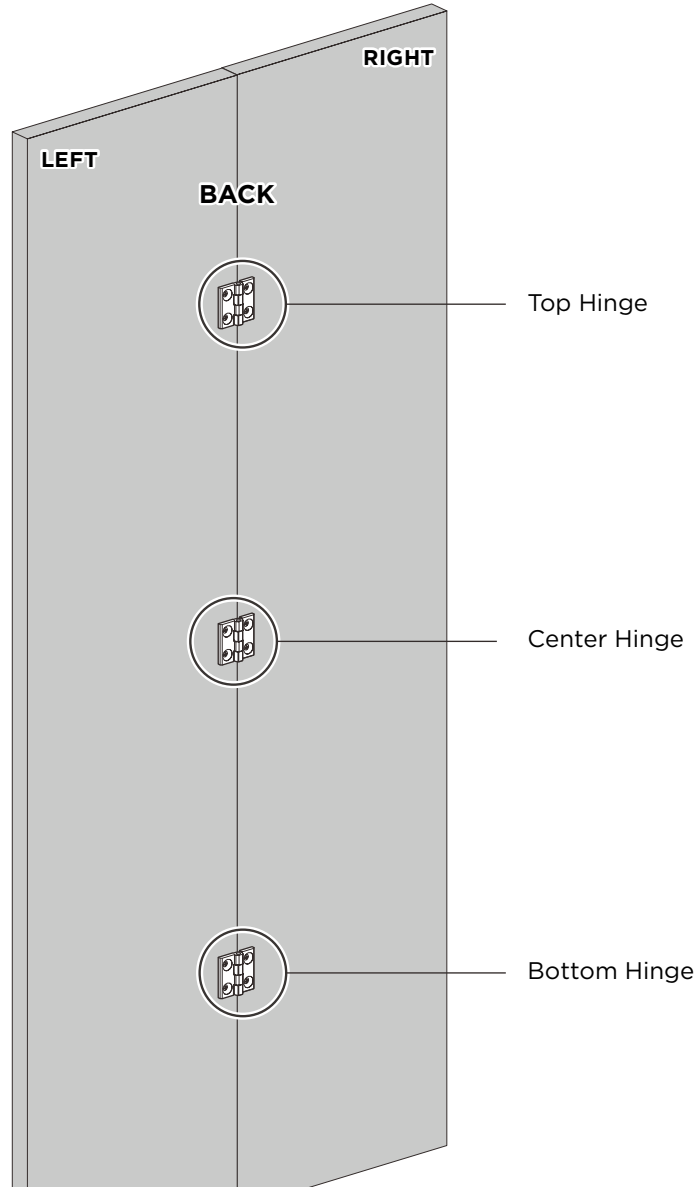
10 INSTALL HINGES

Lay Panels side by side on a flat, clean, sturdy surface. Put the socket on the hole at the bottom of the door panel, and knock it in with a wooden hammer. Push the Panels together and mount hinges in pre-drilled pilot holes. Mount Top Hinge/Center Hinge/Bottom Hinge at the door as shown.

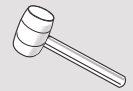
Note: Use short screws. Refer to the visual in this step for slab orientation. For a left swing, install the sheath on the right slab. For a right swing, install the sheath on the left slab.



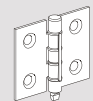
Once the doors are attached, please avoid the pinch points in the bi-fold mechanism



Phillips Screwdriver



Wooden Hammer



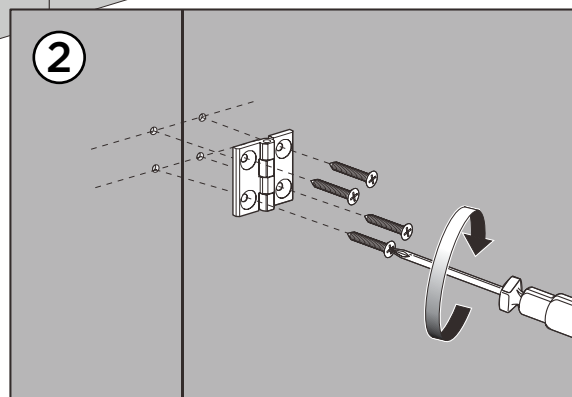
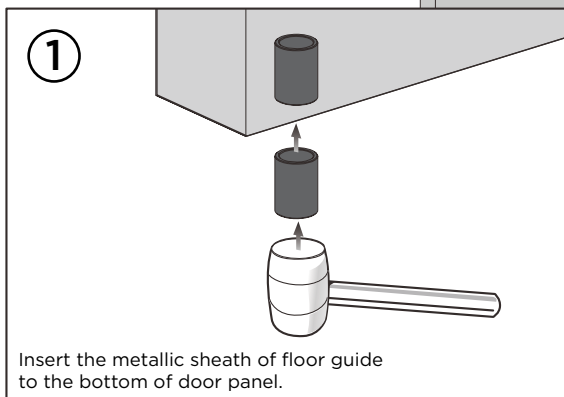
3x Hinge



12x M6X25 Short Screw



Socket



Bifold Barn Door Installation Guide

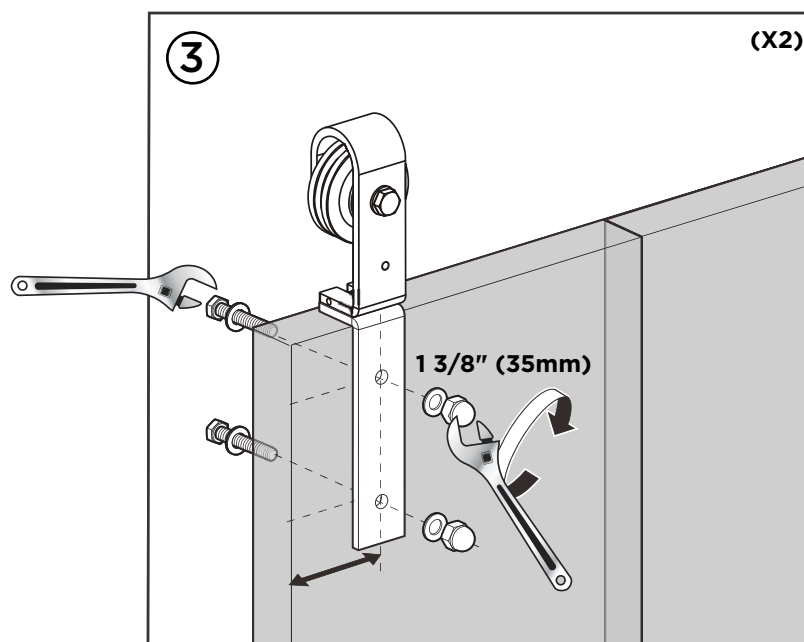
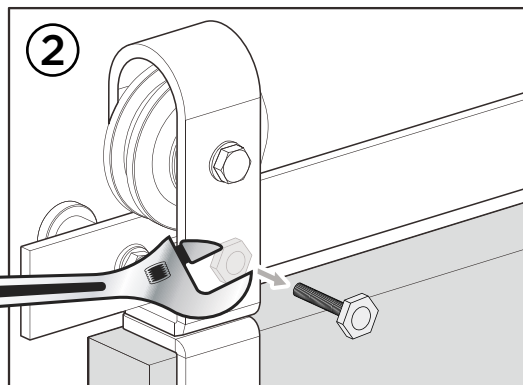
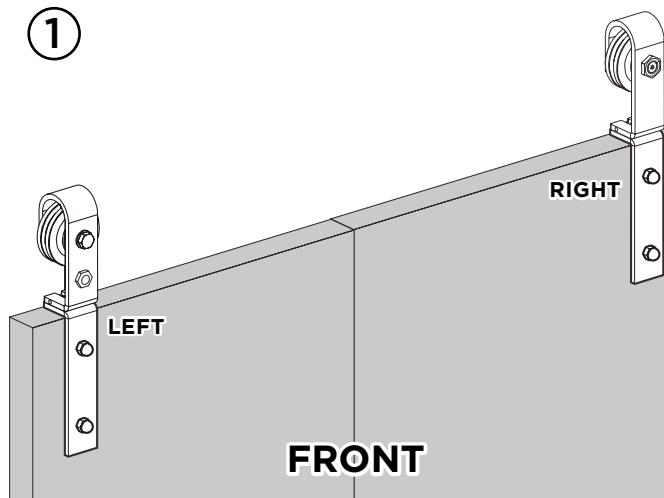


WITH STRAIGHT STRAP HARDWARE KIT

11 INSTALL PULLEY BASE

Your door panel arrives with holes for the hanging straps pre-drilled. Use the included strap mount hardware to attach the straps to the door. Tighten slightly to secure in place. Remove the fixator screw in 2 from the fixed pulley and set aside.

Note: Visual depicts a left swing. For a right swing, instead place the fixed pulley on the right slab.



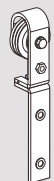
2x
Adjustable
Wrench



4x
Strap Mount
Hardware



Movable Pulley



Fixed Pulley

Bifold Barn Door Installation Guide



WITH STRAIGHT STRAP HARDWARE KIT

12 INSTALL FLOOR GUIDE

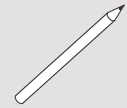
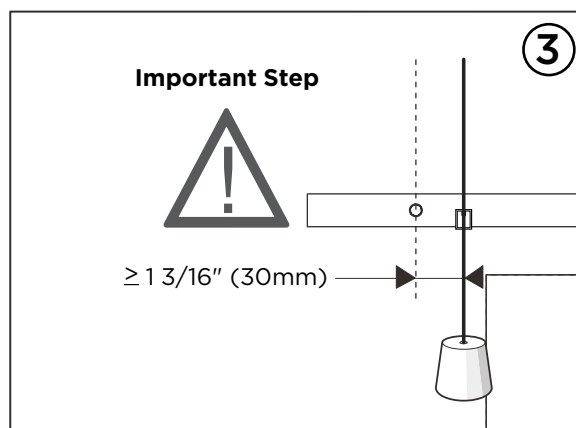
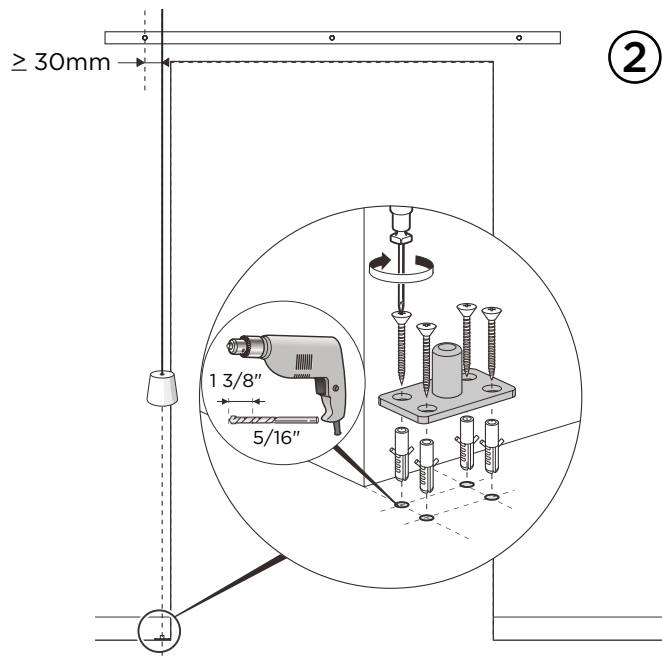
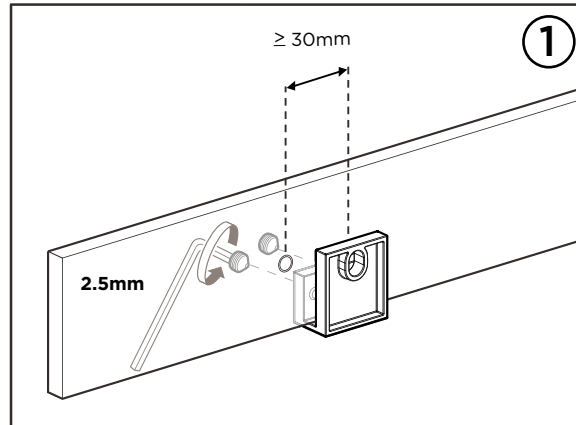
Secure the fixator to the track by using a 2.5mm Allen wrench to tighten it into position. Position the midpoint of the fixator to align vertically with the pivot point.

Note: For a left swing, install the fixator on the left side of the track bar. For a right swing, position it on the right side.

Position the floor-guide just outside the opening of the door frame. Adjust with a plumb line so as to ensure vertical positioning with the pivot point. Mark the holes with a pencil and punch a hole with diameter $\frac{5}{16}$ " (8mm) depth $1\frac{3}{8}$ " (35mm) and install the floor guide with the floor screws.

Note: Visual depicts a left swing. For a right swing, instead place floor guide on the right side of the door opening.

The fixator may need to be adjusted to ensure it is vertical with the pivot point.



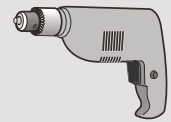
Pencil



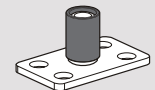
Phillips Screwdriver



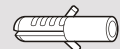
Plumb Line



Cordless Drill



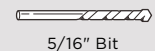
Floor Guide and Socket



4x 8" Floor Anchor



4x ST4 2X32 Floor Screws



$\frac{5}{16}$ " Bit



Fixator



2.5mm Allen Wrench



Important step: The minimum spacing from central position of the fixator to spacer is $\geq 1\frac{3}{16}$ " (30mm).

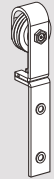
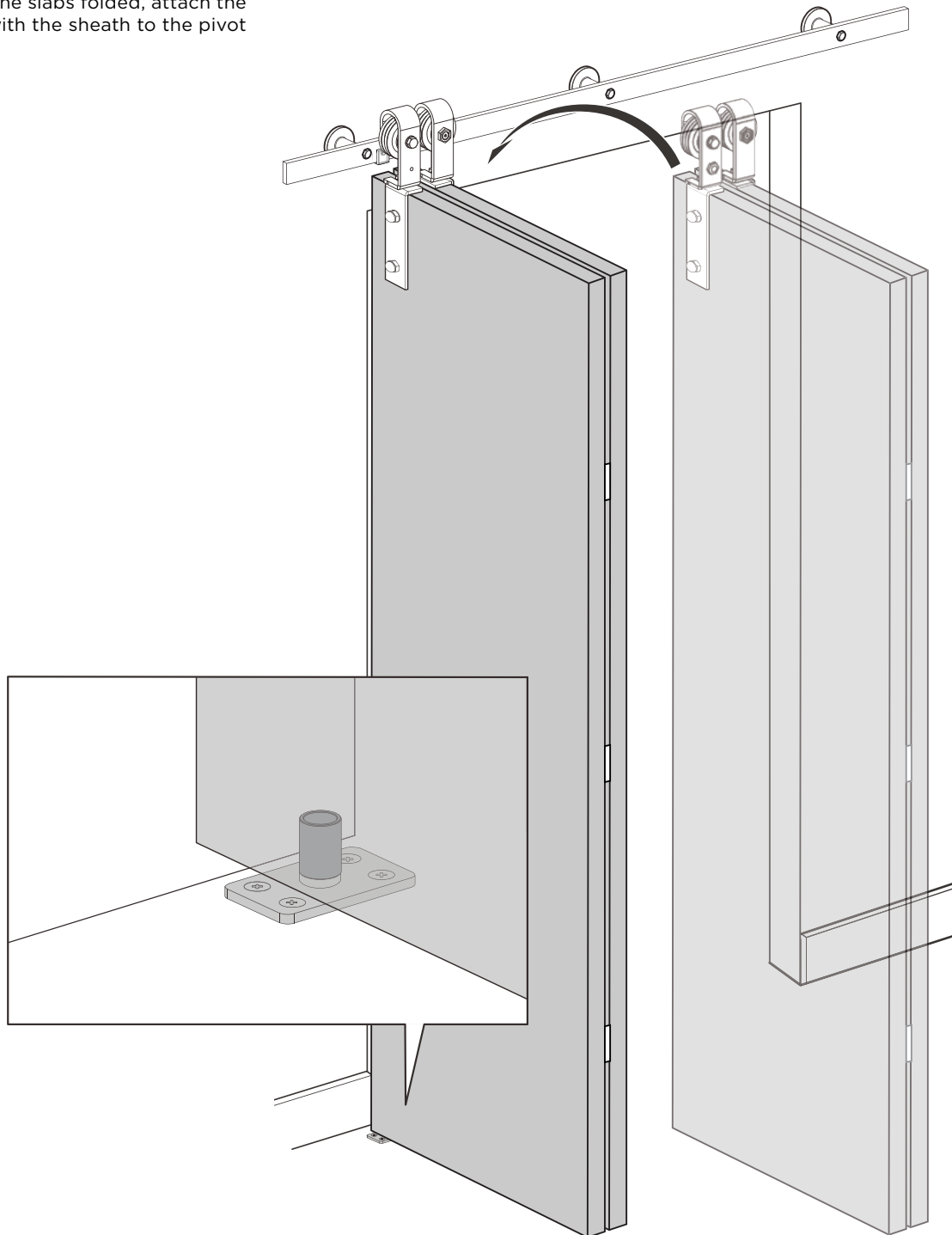
Bifold Barn Door Installation Guide



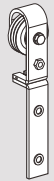
WITH STRAIGHT STRAP HARDWARE KIT

13 INSTALLING SLAB ON PIVOT POINT

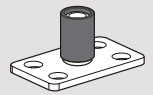
With the slabs folded, attach the slab with the sheath to the pivot point.



Movable Pulley



Fixed Pulley



Floor Guide and Socket

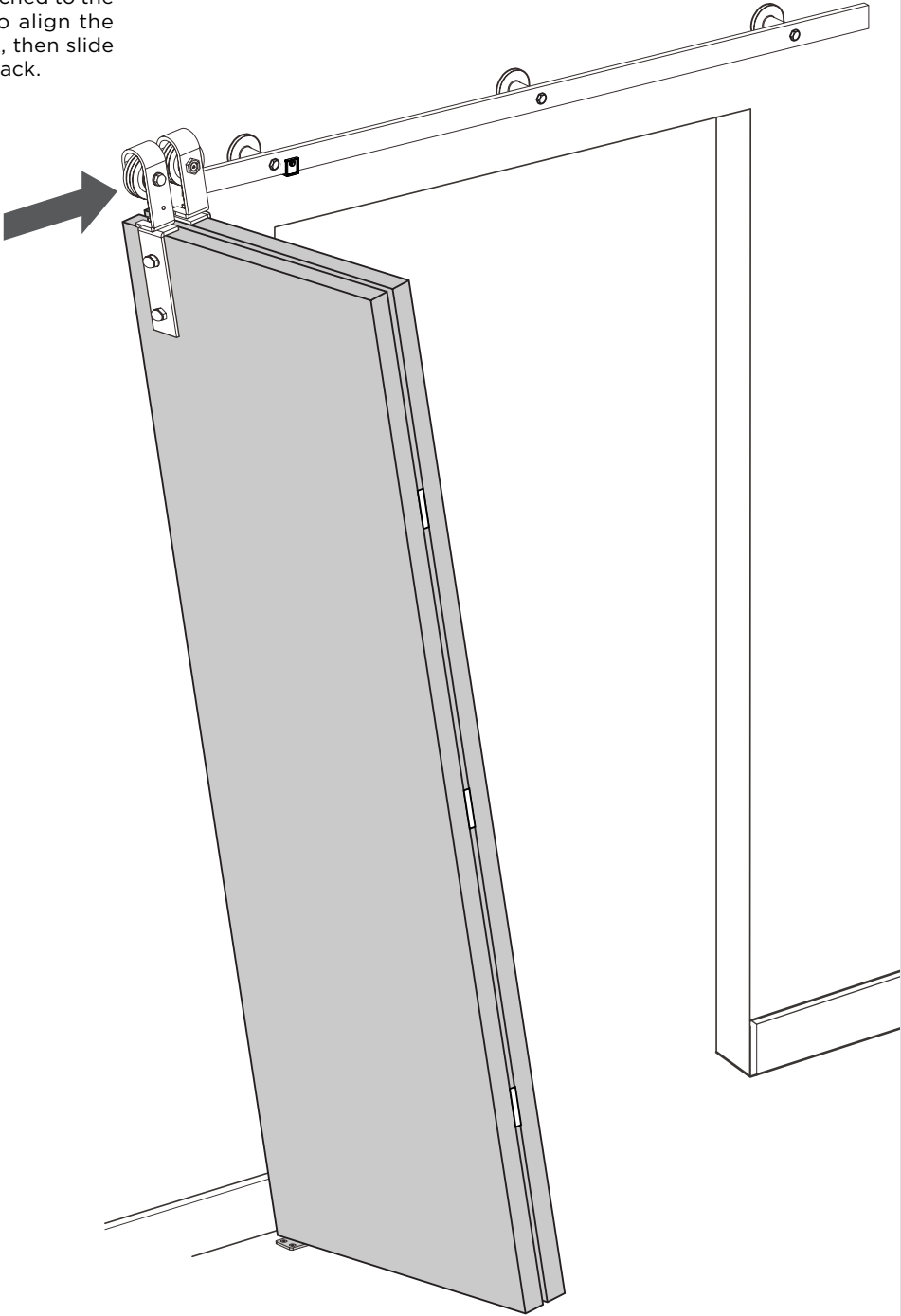
Bifold Barn Door Installation Guide



WITH STRAIGHT STRAP HARDWARE KIT

14 SLIDING SLAB ONTO TRACK AND INSTALLING THE FIXATOR OF THE HANGING PULLEY

With the slab still attached to the pivot point, lean it to align the pulleys with the track, then slide the pulleys onto the track.



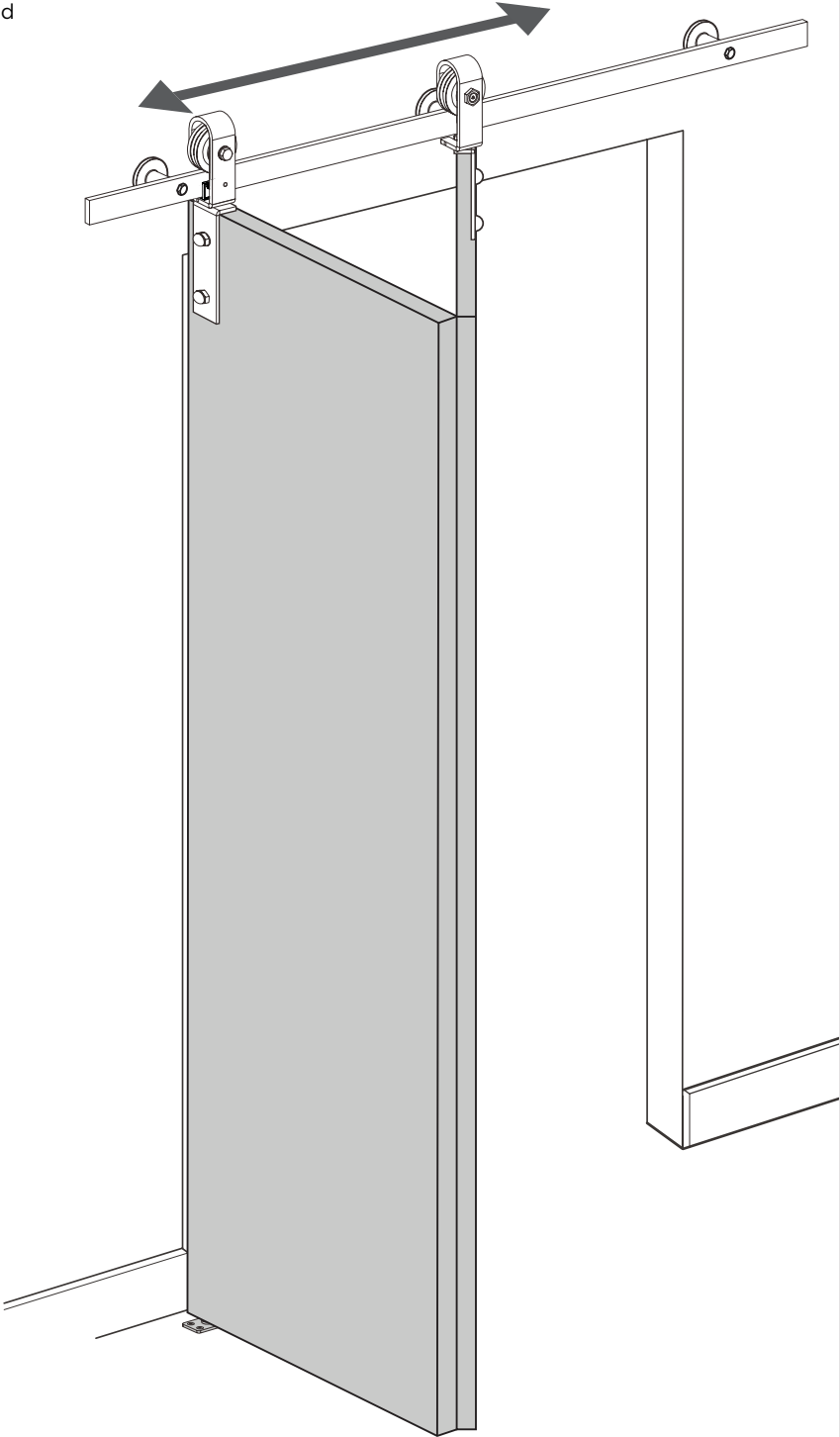
Bifold Barn Door Installation Guide



WITH STRAIGHT STRAP HARDWARE KIT

15 SETTING THE BIFOLD IN A CLOSED POSITION

Slide the barn door into the closed position.



Bifold Barn Door Installation Guide



WITH STRAIGHT STRAP HARDWARE KIT

16 FINAL ADJUSTMENTS FOR FIXED PULLEY

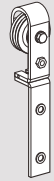
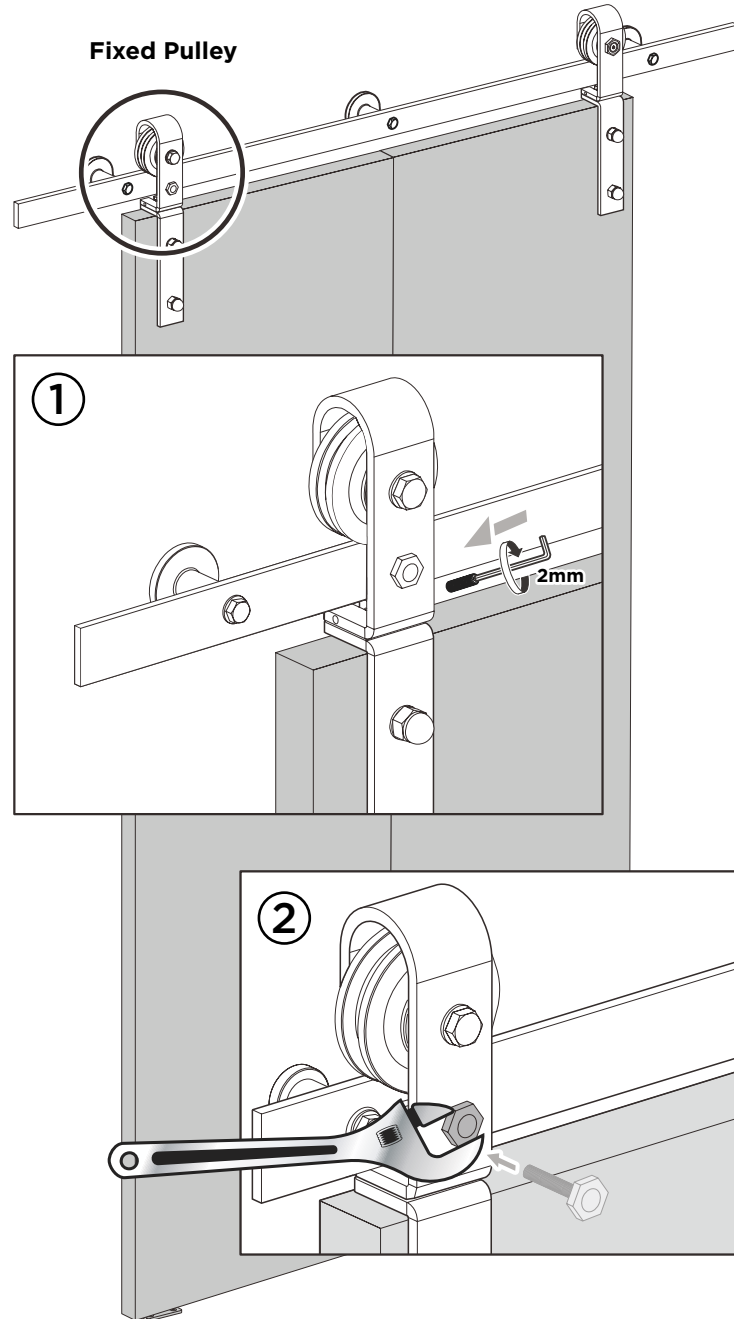
Tighten the screw fully until it is properly torqued. Failing to tighten the pin completely may cause it to loosen over time. Additionally, ensure the pin is securely screwed in so that the screw holds the latch of the front strap in place.

Note: The pulley should have the screw pre-installed, but it still needs to be tightened.



Important: Make sure screw in visual 1 is fully screwed in. Failing to screw the pin all the way in may cause it to loosen over time, potentially leading to the slab detaching from the pulley.

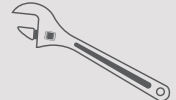
Align the hole of the fixator piece with the lower hole of the hanger roller plate. Use an adjustable wrench to reinstall the fixator screw into the fixed pulley.



Fixed Pulley



2mm Allen Wrench



Adjustable Wrench



Fixator

Bifold Barn Door Installation Guide



WITH STRAIGHT STRAP HARDWARE KIT

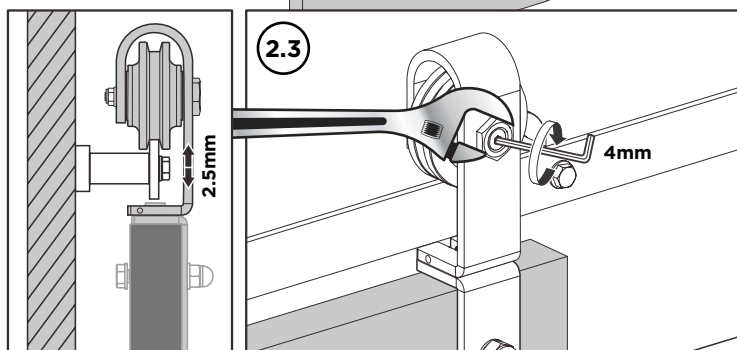
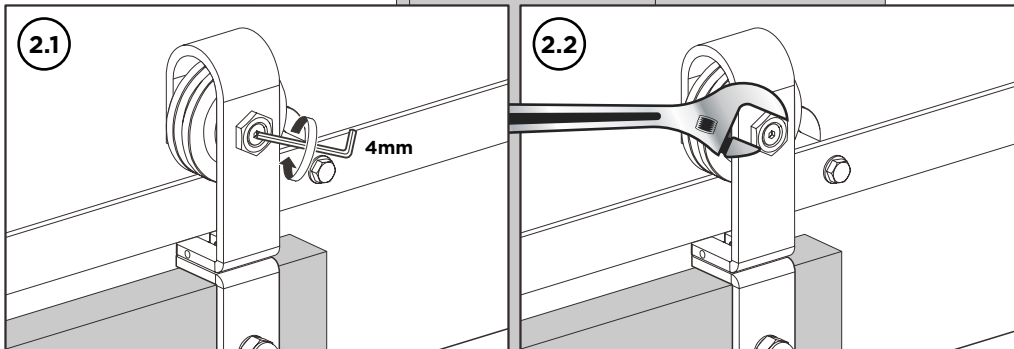
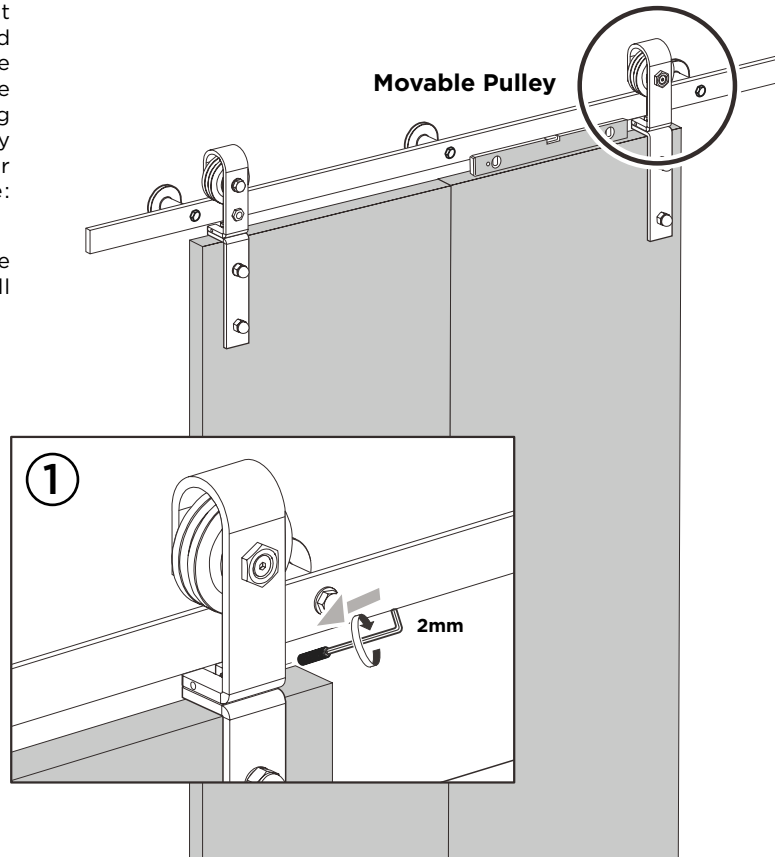
17 FINAL ADJUSTMENTS FOR MOVABLE PULLEY

Use a wrench to adjust the height of the hanger roller to the desired position, then tighten it. If the heights of the two doors are uneven, align them by adjusting the height of the movable pulley with a hex wrench and regular wrench (adjustment range: 2.5mm).

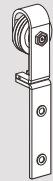
Note: The pulley should have the screw pre-installed, but it still needs to be tightened



Important: Screw in **1** must be screwed in all the way. Failure to screw pin all the way in may cause it to loosen over time, resulting in slab detaching from pulley.



Adjustable Wrench



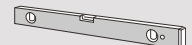
Movable Pulley



2mm Allen Wrench



4mm Allen Wrench



Level

Bifold Barn Door Installation Guide



WITH STRAIGHT STRAP HARDWARE KIT

18 ATTACH DOOR HANDLE

At the suggested handle position, the two bottom holes will be 40" from the bottom of the door, with the far edge of the handle a minimum of 1.5" from the door edge.

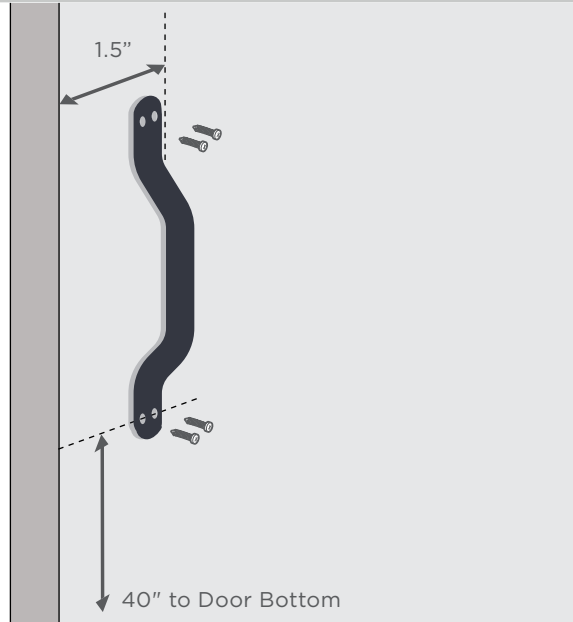
Position handle at desired location and mark holes onto door.

Use a **1/8" drill bit** to drill four 1" deep pilot holes.



Ensure pilot hole depth does not exceed 1" to avoid drilling through door.

Attach handle to door using a Phillips screwdriver and provided screws.



Phillips
Screwdriver



Door Handle



4x
Door Handle
Screw