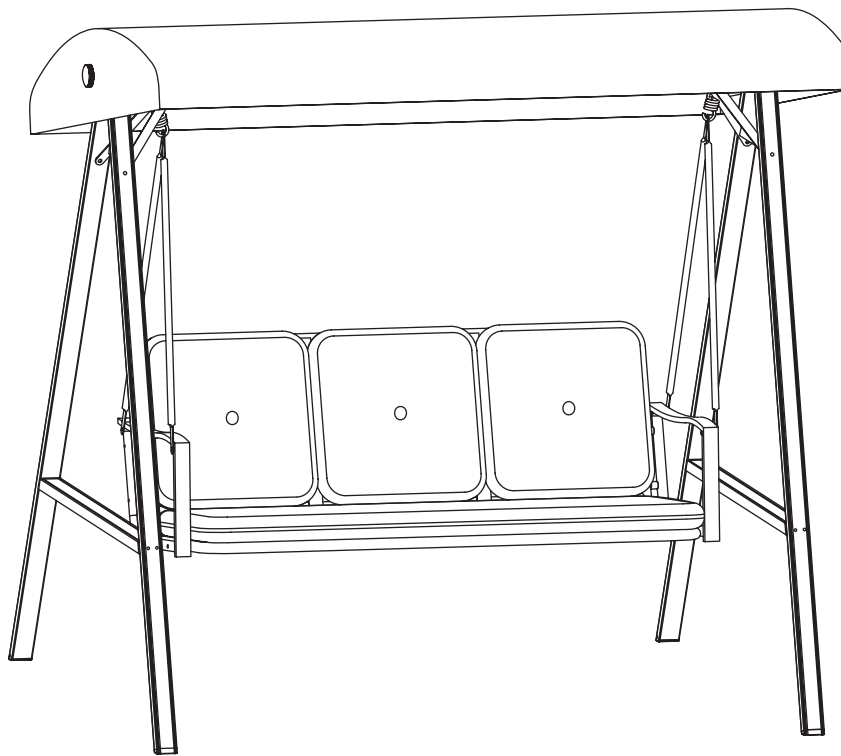


Item #1001 868 823
Model #GSS00132D

HAMPTON BAY®

USE AND CARE GUIDE

3 PERSON SWING WITH CANOPY



Questions, problems, missing parts? Before returning to the store,
call Hampton Bay Customer Service.

8 a.m. - 7 p.m., EST, Monday - Friday, 9 a.m. - 6 p.m., EST, Saturday

1-855-HD-HAMPTON

HAMPTONBAY.COM

THANK YOU


We appreciate the trust and confidence you have placed in Hampton Bay through the purchase of this swing. We strive to continually create quality products designed to enhance your home. Visit us online to see our full line of products available for your home improvement needs. Thank you for choosing Hampton Bay!


Table of Contents

Table of Contents.....	2	Pre-Assembly	3
Important Safety Instructions	2	Planning Assembly	3
Save These Instructions	2	Hardware Included.....	3
Read All Instructions Before Use	2	Package Contents.....	4
Warranty	3	Assembly.....	5
What is Covered	3	Care and Cleaning.....	11
What is Not Covered	3		

Important Safety Instructions

SAVE THESE INSTRUCTIONS


 **WARNING:** This swing was made for the explicit purpose of providing outdoor functions and is not to be used as a toy. This product is intended for normal outdoor use. However, the manufacturer recommends storing and / or covering this product when any formidable / severe weather is approaching.


 **WARNING:** Do not locate this product near open flames. Do not use this product as a support. Do not shake, lean or climb on the product. Children under the age of 10, near the product, should be supervised by a competent adult at all times. This product is NOT intended for commercial use and will void the warranty.


READ ALL INSTRUCTIONS BEFORE USE


To reduce the risk of injury to persons:


1. Close supervision is necessary when this product is used by or near children, or disabled persons, if applicable.
2. Use this product only for its intended use as described in these instructions. Do not use attachments not recommended by the manufacturer.
3. Please keep children out of the assembly area before assembly.

 **WARNING:** Weight limit for the swing is 250 lbs (113.39 kg) for each seat.

 **WARNING:** This swing unit is heavy, and may require two adults for safe assembly.

 **WARNING:** Do not shake from side to side when using the product.

 **CAUTION:** Do not locate the product near any heat source.

 **CAUTION:** Do not place heavy objects on the swing.

Warranty

2 YEAR FRAME AND 2 YEAR FABRIC LIMITED WARRANTY

WHAT IS COVERED

We warrant the frames to be free of manufacturing defects to the original purchaser for two years, and a two year limited warranty for the fabric.

WHAT IS NOT COVERED

It remains the customer's responsibility for freight and packaging charges to and from our service center. This warranty does not cover commercial use, hardware, acts of nature, fire, freezing and abusive use. In addition, purchased parts are not covered under this warranty. We reserve the right to make substitutions with similar merchandise, if the model in question is no longer in production.

Contact the Customer Service Team at 1-855-HD-HAMPTON or visit www.HamptonBay.com.

Pre-Assembly

PLANNING ASSEMBLY

Read all instructions before assembly.

To avoid damaging this product, assemble it on a soft, non-abrasive surface such as carpet or cardboard.

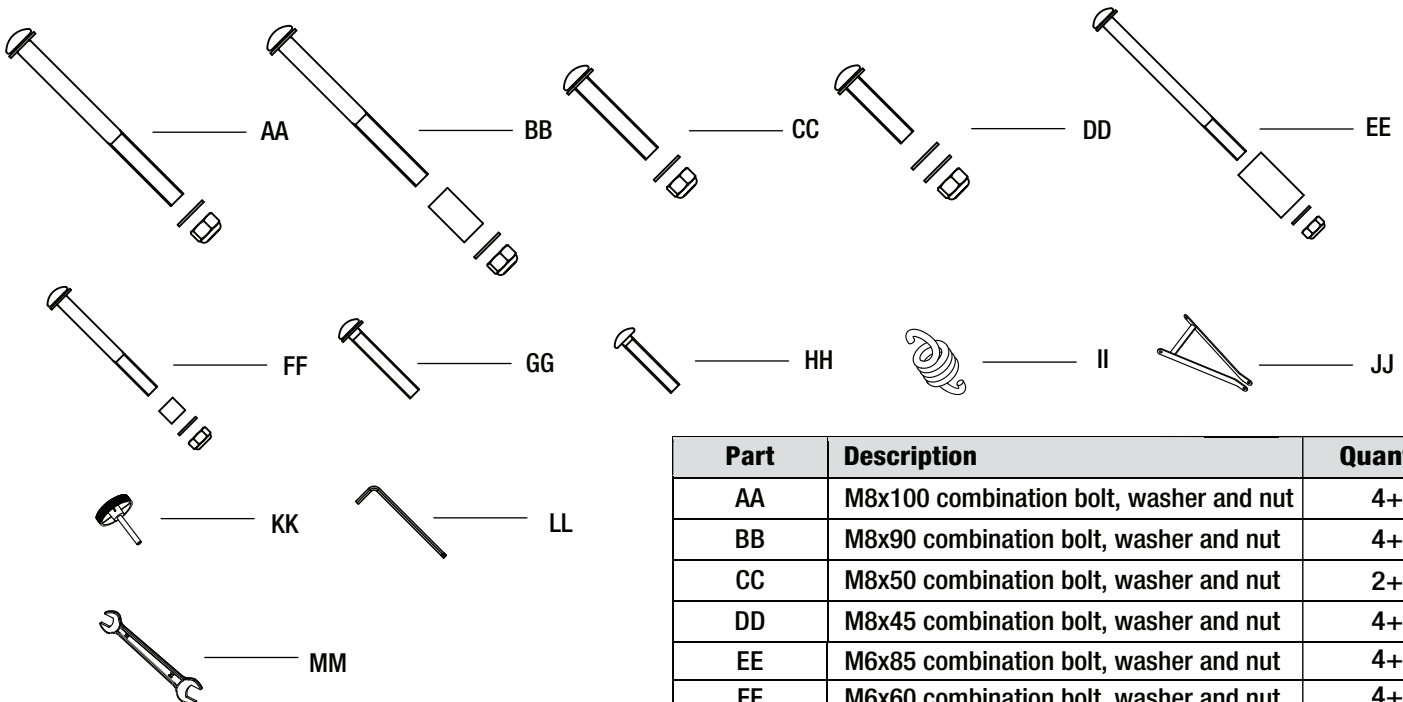


NOTE: More than one person may be required to assemble this product.

HARDWARE INCLUDED



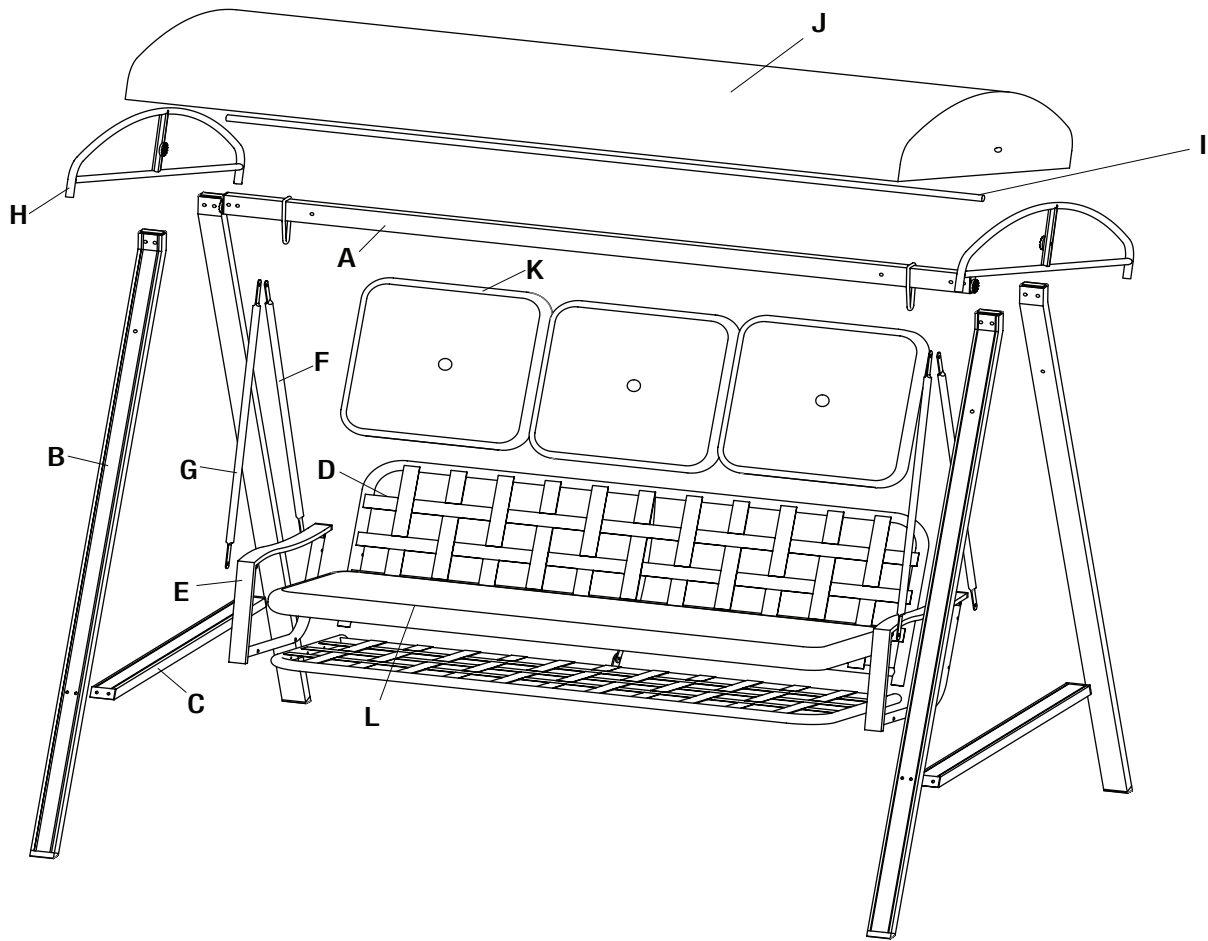
NOTE: Hardware not shown to actual size.



Part	Description	Quantity
AA	M8x100 combination bolt, washer and nut	4+1
BB	M8x90 combination bolt, washer and nut	4+1
CC	M8x50 combination bolt, washer and nut	2+1
DD	M8x45 combination bolt, washer and nut	4+1
EE	M6x85 combination bolt, washer and nut	4+1
FF	M6x60 combination bolt, washer and nut	4+1
GG	M6x40 combination bolt	8+1
HH	M6x30 bolt	2+1
II	Hook	2
JJ	Support bar	2
KK	Screw knob	2
LL	Hex wrench	1
MM	Wrench	1

Pre-Assembly (continued)

PACKAGE CONTENTS

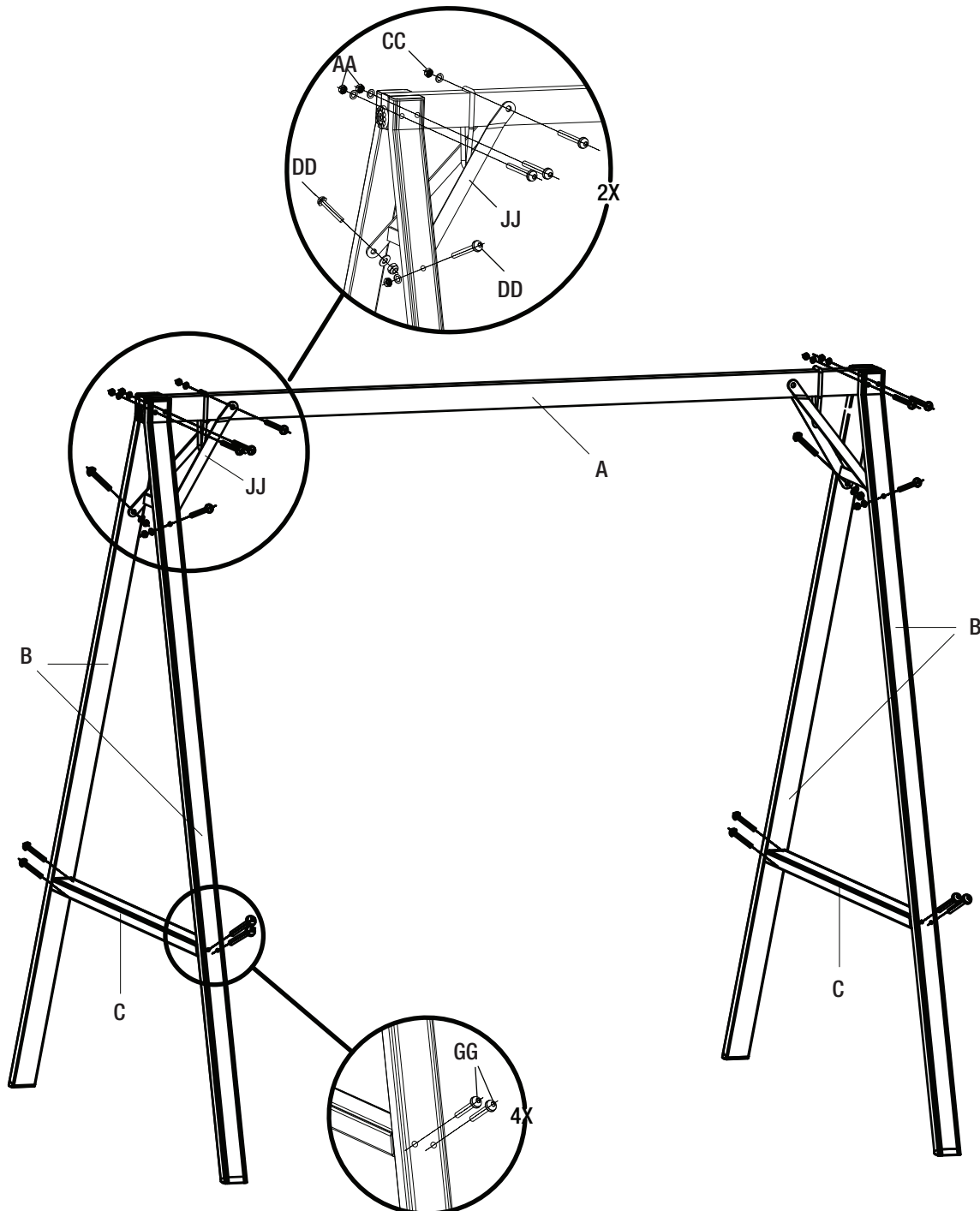


Part	Description	Quantity
A	Top bar	1
B	Leg	4
C	Side bar	2
D	Seat	1
E	Arm	2
F	Long swing pipe	2
G	Short swing pipe	2
H	Curved bar	2
I	Support bar	1
J	Canopy	1
K	Back cushion	3
L	Seat cushion	1

Assembly

1 Assembling the swing frame

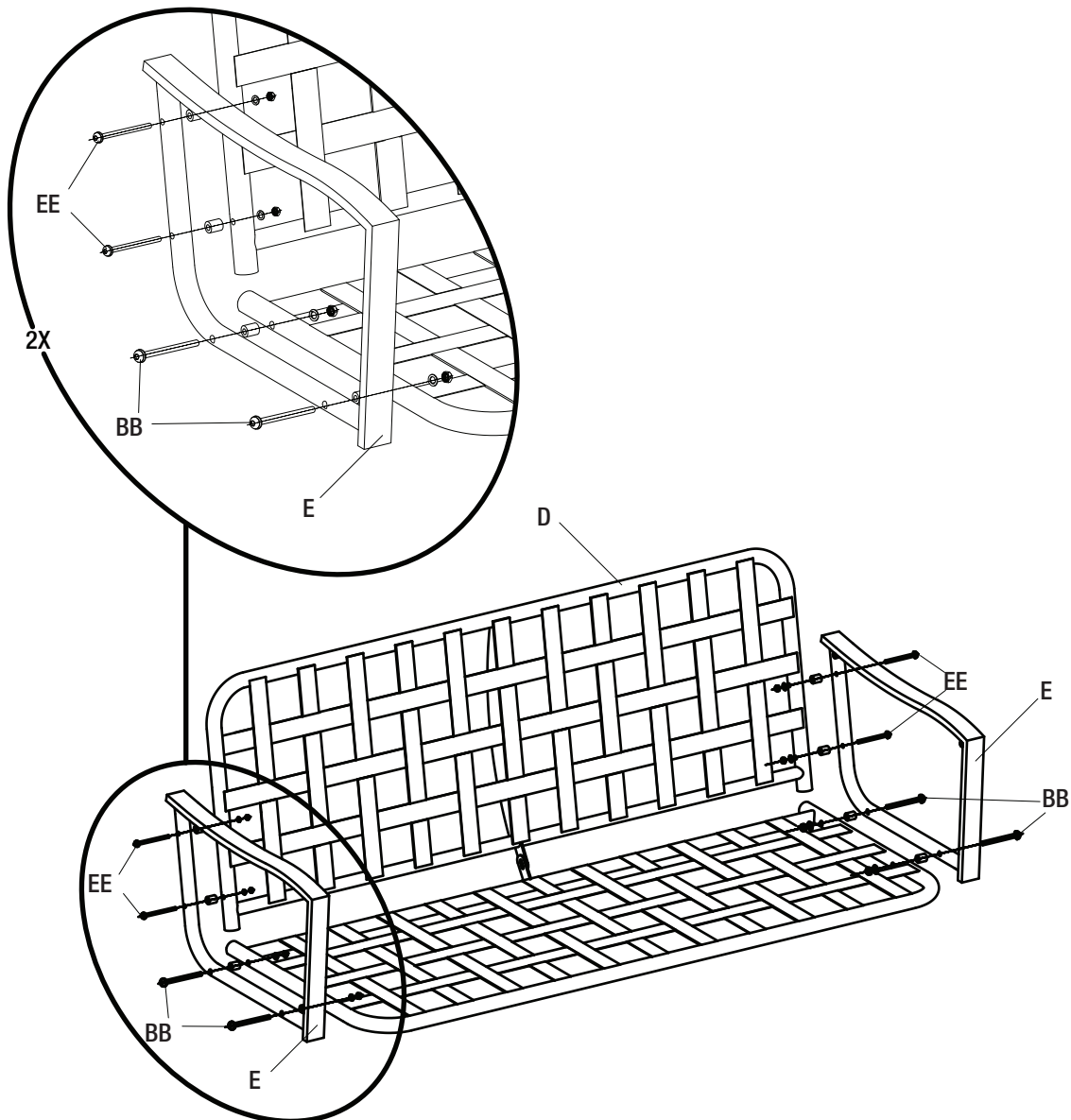
- Attach two sets of the legs (B) to the top bar (A) using M8x100 combination bolts, washers and nuts (AA).
- Attach the support bars (JJ) to the legs (B) and the top bar (A) using M8x50 combination bolts, washers and nuts (CC) and M8x45 combination bolts, washers and nuts (DD).
- Attach the two side bars (C) to the legs (B) using M6x40 combination bolts (GG).
- Once all of the bolts are in place, fully tighten the bolts.



Assembly (continued)

2 Attaching the arms to the seat

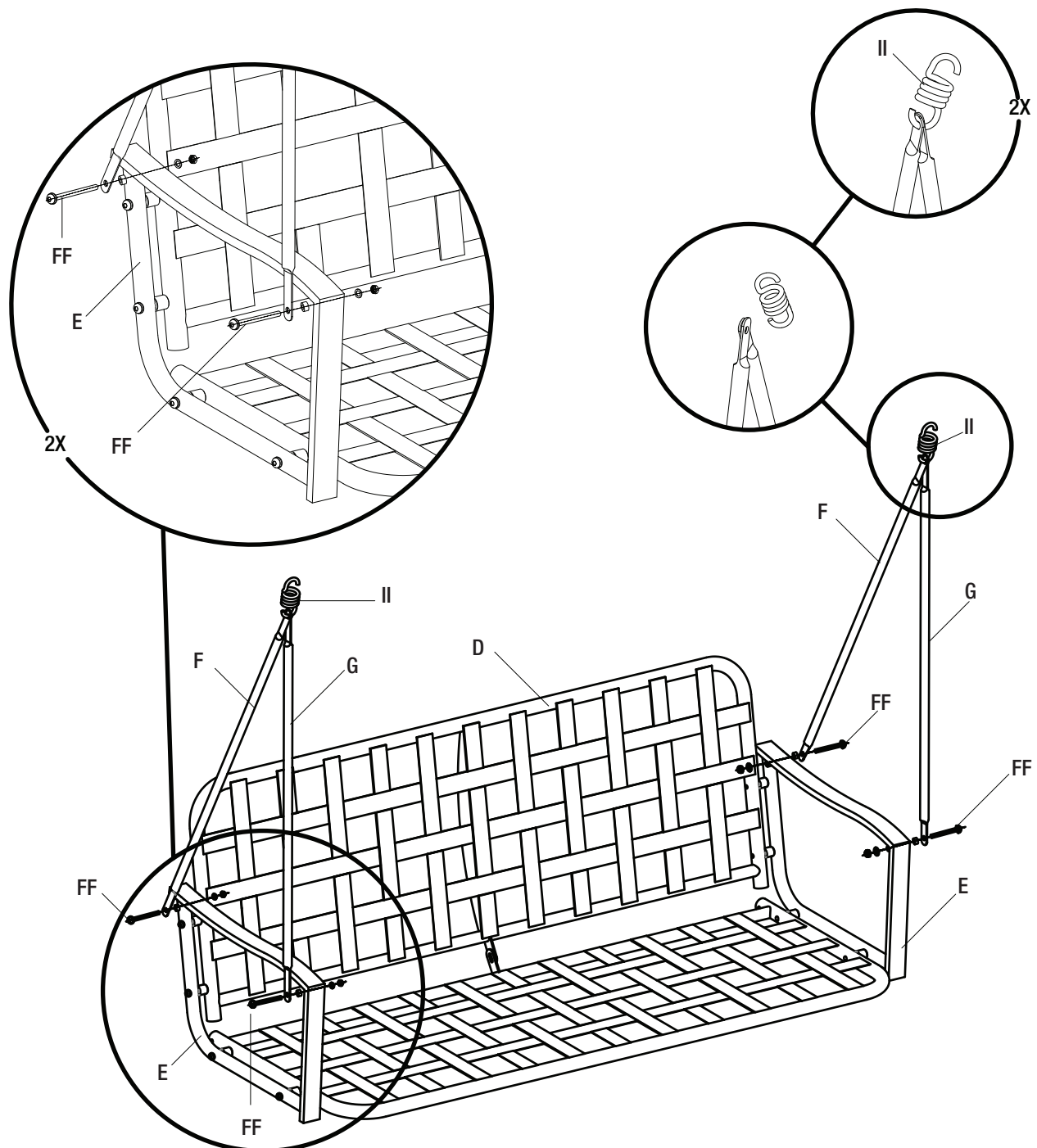
- Attach the arms (E) to the seat (D) using M8x90 combination bolts, washers and nuts (BB) and M6x85 combination bolts, washers and nuts (EE).
- Once all of the bolts are in place, fully tighten the bolts.



Assembly (continued)

3 Attaching the long swing pipes and the short swing pipes to the arms

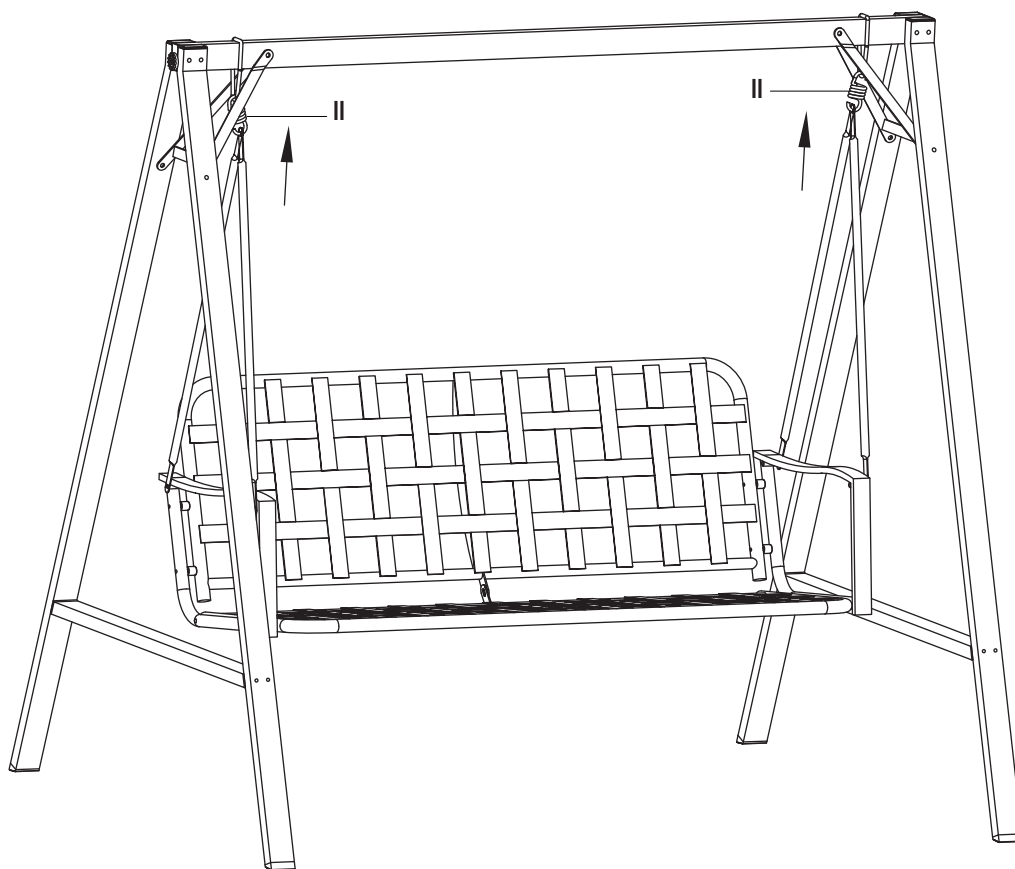
- Attach the long swing pipes (F) and the short swing pipes (G) to the arms (E) using M6x60 combination bolts, washers and nuts (FF).
- Connect the top of the two swing pipes (F and G) using the hooks (II).
- Once all of the bolts are in place, fully tighten the bolts.



Assembly (continued)

4 Attaching the seat to the swing frame

- Attach the assembled seat to the swing frame using the hooks (II).



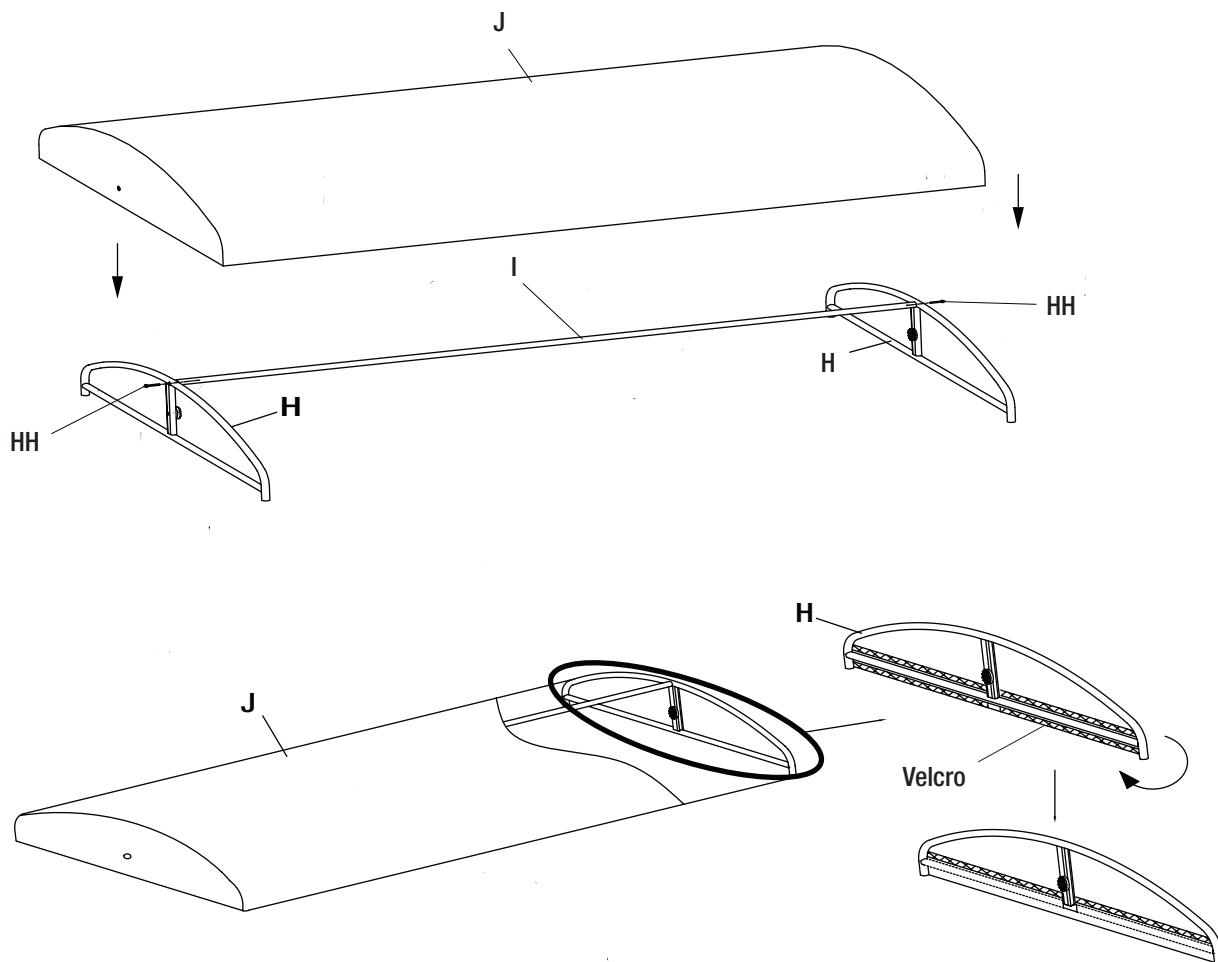
Assembly (continued)

5 Assembling the top frame

- Attach the support bar (I) to the curved bars (H) using M6x30 bolts (HH).
- Fully tighten all of the bolts on the top frame using the hex wrench (LL) before placing the canopy.
- Place the canopy (J) on the assembled top frame and tie the canopy (J) to the curved bars (H) by affixing the Velcro.



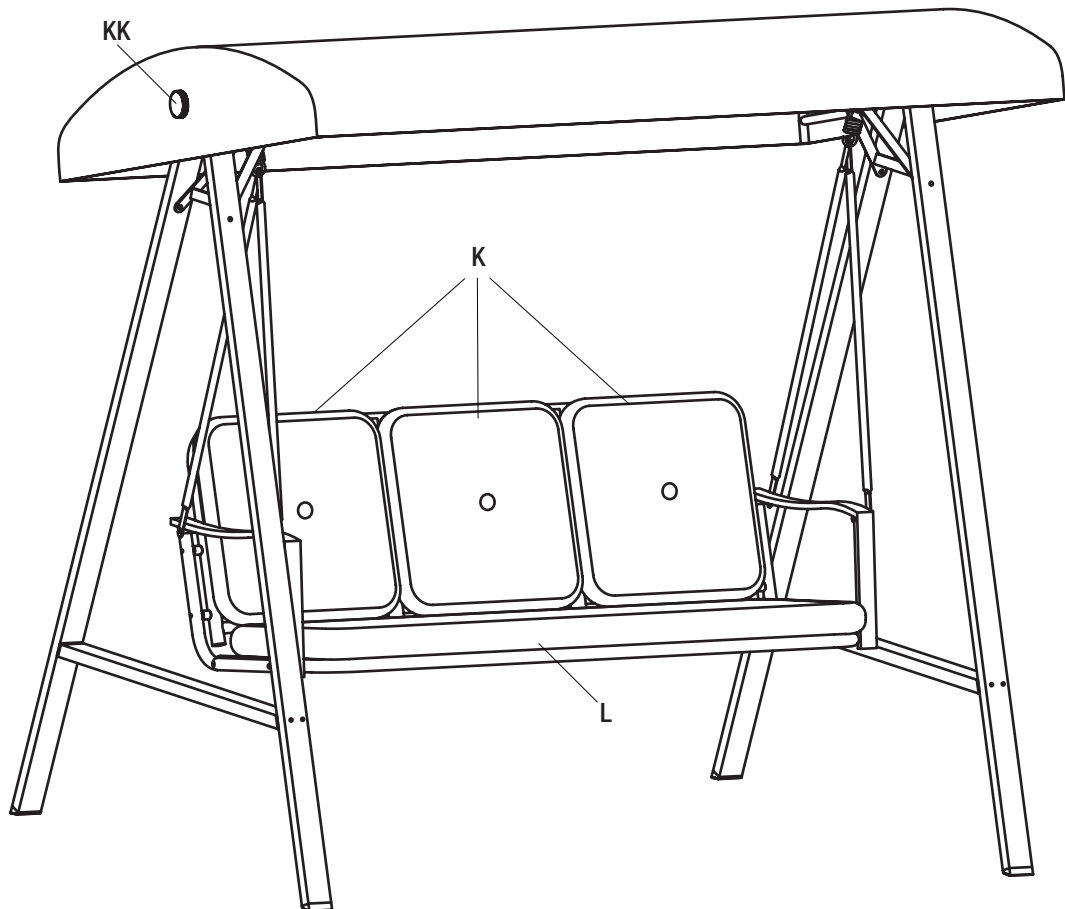
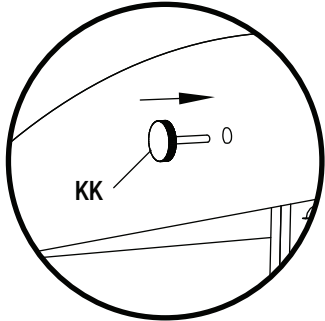
NOTE: Pay attention to the direction of the curved bars (H).



Assembly (continued)

6 Attaching the top frame to the top bar

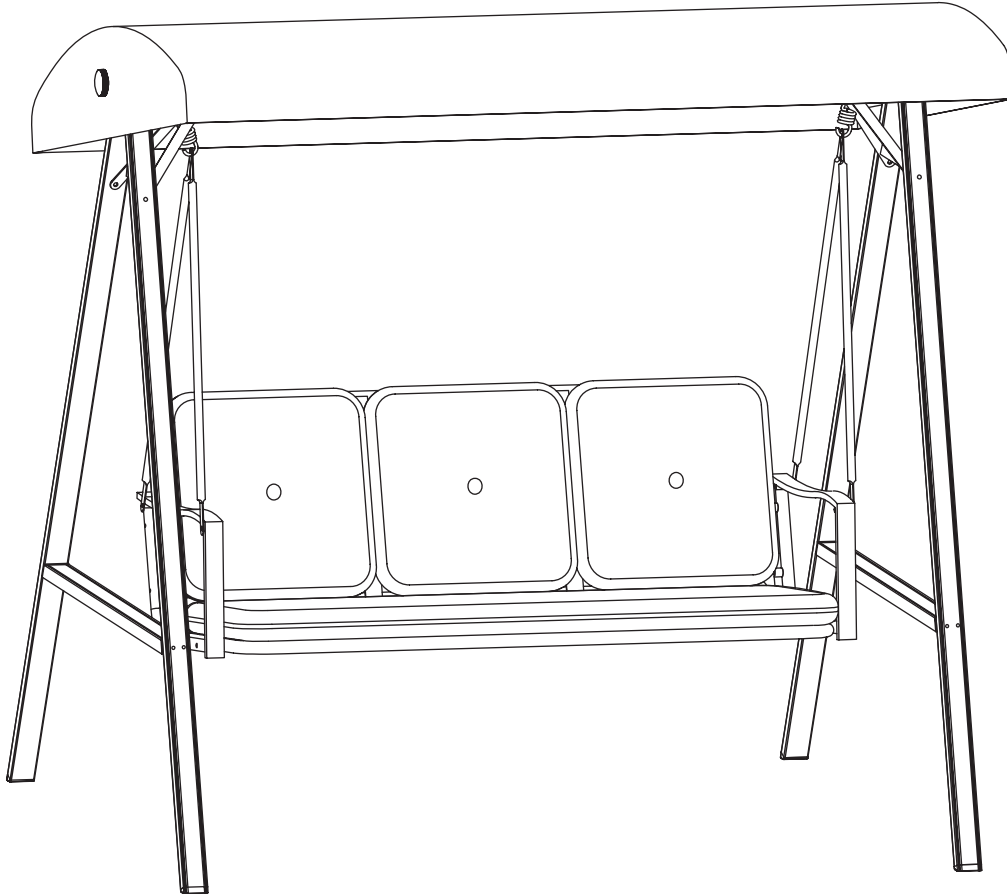
- Attach the top frame to the top bar (A) using the screw knobs (KK) on both sides.
- Adjust the angle of the top frame and fully tighten the screw knobs (KK) in the clockwise direction.
- Place the back cushions (K) and the seat cushion (L) on the seat.



Assembly (continued)

7 Tightening the bolts

- Ensure the swing is tightly assembled and stable before use.



Care and Cleaning

- For best results, clean the swing with a damp cloth and dry thoroughly. This will help prevent mildew by removing dirt particles that may accumulate.
- Do not clean with abrasive materials, bleach, or solvents.
- Store the swing in a dry, sheltered place when not in use.
- Keep the swing away from fire, extreme heat, freezing conditions, and inclement weather such as rain, hail, sleet, snow, or wind.

HAMPTON BAY[®]

Questions, problems, missing parts? Before returning to the store,
call Hampton Bay Customer Service.
8 a.m. - 7 p.m., EST, Monday - Friday, 9 a.m. - 6 p.m., EST, Saturday

1-855-HD-HAMPTON

HOMEDEPOT.COM

Retain this manual for future use.

For certification use only

Factory swing ID # GSS00132D
