



Store SKU # 1006636633  
Internet SKU # 1006581370  
Model # HPRO72MWC20BLK

## USE AND CARE GUIDE

### Husky Professional Duty 72 in. 20-Drawer Mobile Work Bench

Questions, problems, missing parts?

Before returning to the store, call

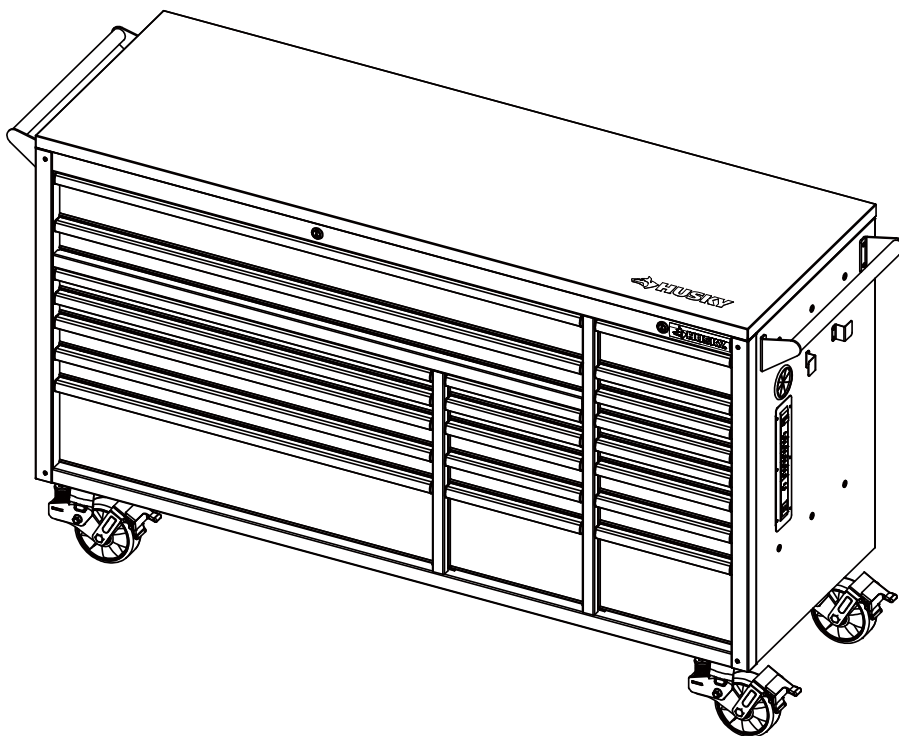
Husky Customer Service

8 a.m – 7 p.m., EST, Monday-Friday

9 a.m – 6 p.m., EST, Saturday

1-888-HD-HUSKY

HUSKYTOOLS.COM



---

#### **THANK YOU**

*We appreciate the trust and confidence you have placed in Husky through the purchase of this cabinet. We strive to continually create quality products designed to enhance your home. Visit us online to see our full line of products available for your home improvement needs. Thank you for choosing Husky!*

# Table of Contents

Table of Contents.....	2	Assembly .....	6
Safety Information .....	2	Operation .....	7
Warranty.....	4	Cordless Power Tool Battery Chargers .....	8
Specifications .....	4	Maintenance.....	8
Package Contents.....	4	Replacement Parts .....	9
Hardware Included.....	4		

# Safety Information

1. Do not pull this unit, push it when moving.
2. Use the brakes when this product is not being moved. This prevents the product from rolling.
3. Secure this product properly before moving it with a forklift.
4. Do not tow the product with power equipment.
5. Do not alter this product in any manner. For example, do not weld external lock bars or attach electrical equipment.
6. Before locking the cabinet, ensure the drawers are completely closed in order for the lock bars to work properly.



**CAUTION:** Do not attach or mount this product to a vehicle or mobile trailers. This may cause personal injury or product damage. Mounting this product to any vehicle or mobile trailers in any manner will void warranty.



**CAUTION:** Do not stand, sit or climb on this product. You may fall which may cause personal injury or product damage.



**CAUTION:** Be careful when opening more than one drawer. The product may become unstable and tip, which may cause personal injury or product damage.



**CAUTION:** Keep the product on level surfaces. The product may become unstable and tip if stored or moved on an unlevel surface, which may cause personal injury or product damage.



**CAUTION:** Lock the drawers before moving this product. The drawers could come open and make the product unstable and tip, which may cause personal or product damage.



**CAUTION:** To reduce the risk of product damage or personal injury, do not exceed the specified loading capacities



**CAUTION:** Load unit starting with bottom drawers. Overloading the top of the unit may result in the product becoming unstable and creating a tipping hazard, which may cause personal injury or product damage.



**CAUTION:** Do not use the side handle as a point of leverage to lift the unit off of the ground. Handle is not intended to withstand the force of vertical lifting, and is only designed to aid in the movement of unit around on casters. Failure to adhere to this warning may cause handle to break and cause personal injury and/or product damage.

**!Save these instructions.**

## 7. Extension cord

- Follow all manufacturers' Warnings and Operating Instructions for your extension cord.
- Do not insert extension cord through hole without grommet in place.
- Only use a three-wire extension cord with all three prongs intact. Never remove the round grounding prong.
- Extension cord must be connected to a 125 Volt GFCI protected outlet with proper ground. If GFCI outlet is not available, use an extension cord with GFCI protection built in.
- Check the insulation and plugs of extension cord before using. Do NOT use cord if it is worn or damaged.
- Do NOT overload extension cord.
- Remove extension cord from the hole before moving or transporting storage cabinet.
- Only use an extension cord that is rated for outdoor use.
- Do NOT connect extension cord to outlet that also supplies critical safety equipment with power.

## 8. Electrical Shock Hazard

- Do not plug cord into outlet with wet hands.
- Do not use this cabinet near a bathtub, a shower, or a swimming pool.
- Cabinet plugs must match the outlet.
- Never modify the plug in any way.
- Do not use any adapter plugs with earth (grounded) cabinet power strips.
- Unmodified plugs and matching outlets will reduce the risk of electric shock.
- Avoid body contact with earthed or grounded surfaces. There is an increased risk of electric shock if your body is earthed or grounded.



**WARNING:** Changes or modifications to this unit not expressly approved by the party responsible for compliance could void the user's authority to operate the equipment.



**NOTE:** This device complies with Part 15 of the FCC Rules. Operation is subject to the following two conditions: (1) this device may not cause harmful interference, and (2) this device must accept any interference received, including interference that may cause undesired operation.



**NOTE:** This equipment has been tested and found to comply with the limits for a Class B digital device, pursuant to Part 15 of the FCC Rules. These limits are designed to provide reasonable protection against harmful interference in a residential installation. This equipment generates, uses and can radiate radio frequency energy and, if not installed and used in accordance with the instructions, may cause harmful interference to radio communications. However, there is no guarantee that interference will not occur in a particular installation.

If this equipment does cause harmful interference to radio or television reception, which can be determined by turning the equipment off and on, the user is encouraged to try to correct the interference by one or more of the following measures:

- Reorient or relocate the receiving antenna.
- Increase the separation between the equipment and receiver.
- Connect the equipment into an outlet on a circuit different from that to which the receiver is connected.
- Consult the dealer or an experienced radio/TV technician for help.



**CAUTION:** RISK OF ELECTRICAL SHOCK: This unit has one power supply cord. Make sure the cord is unplugged before any servicing or cleaning.

# Warranty

This Husky Professional Grade product includes a Limited Lifetime Warranty, whereas the manufacturer warrants the product to be free from defects in materials and workmanship for the product's useful life. If any part of this product is found to be defective, the manufacturer's only obligation, and purchaser's exclusive remedy, is to provide replacement parts at the manufacturer's discretion, provided that the product has not been damaged through misuse, abuse, accident, modifications, alterations, neglect or mishandling.

This warranty shall not apply to any product that is found to have been improperly installed, setup, or used in any way not in accordance with the instructions supplied with the product. This warranty shall not apply to normal wear and tear or lack of maintenance, or a failure of the product as a result of use in a highly corrosive environment, improper storage, misuse, abuse, negligence, alteration, faulty installation, or any other failure not relating to faulty material or workmanship. This warranty shall not apply to the finish on any portion of the product such as surface and/or weathering, as this is considered normal wear and tear.

The manufacturer does not warrant and specifically disclaims any warranty, whether express or implied, of fitness for a particular purpose, other than the warranty contained herein. The manufacturer specifically disclaims any liability and shall not be liable for any consequential or incidental loss or damage, including but not limited to any labor/expense costs involved in the replacement or repair of said product.

Contact the Customer Service Team at 1-888-HD-HUSKY or visit [www.huskytools.com](http://www.huskytools.com).

# Specifications

<b>Maximum Drawer Load Capacity (evenly distributed)</b>	220 lbs. for single pair 400 lbs. for double pairs
<b>Maximum Cabinet Load Capacity (evenly distributed)</b>	6,000 lbs. per 4 casters

# Package Contents

## HARDWARE INCLUDED



**NOTE:** Hardware not shown to actual size.



AA



BB



CC



DD



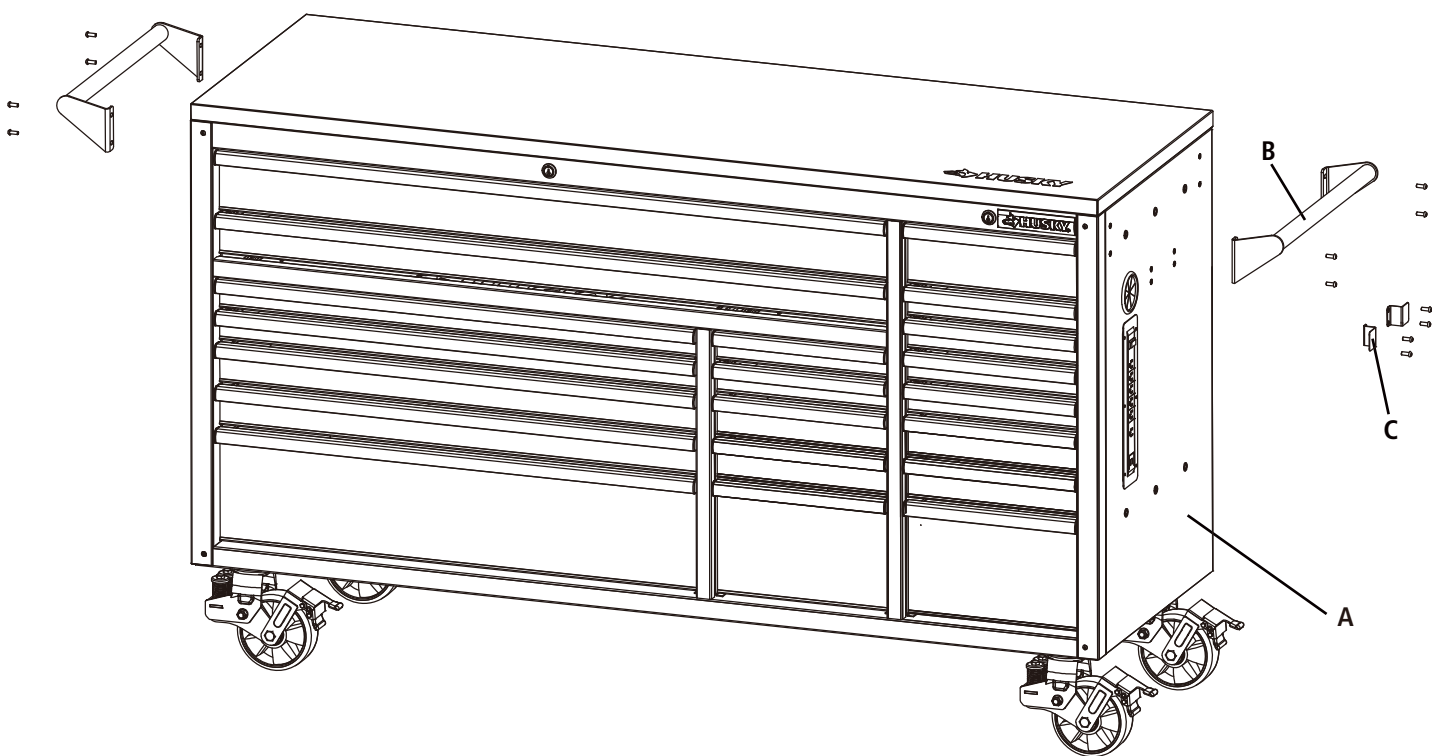
EE

Part	Description	Quantity
AA	M6 x 16 bolt	12
BB	Hex key	1
CC	Plastic plug (M6)	8
DD	Plastic plug (M8)	12
EE	Drawer liner adhesive tape	80

# Package Contents (continued)



**NOTE:** The keys are inside top drawer.



Part	Description	Quantity
A	Cabinet	1
B	Cabinet handle	2
C	Storage hook	2

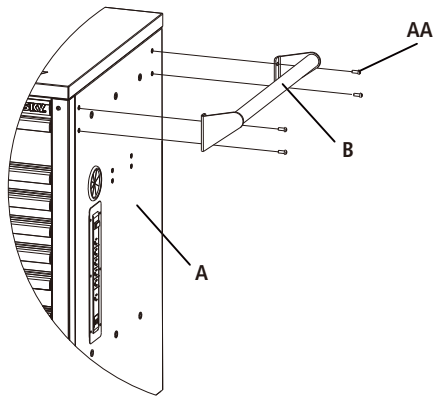
# Assembly



**CAUTION:** Two people are recommended for assembly.

## 1 Attaching the Cabinet Handles

- Position the Cabinet handle (B) over the holes on the Cabinet (A).
- Attach with the Bolts (AA) and tighten with supplied Hex key (BB).
- Repeat this process on the opposite side of Cabinet (A).



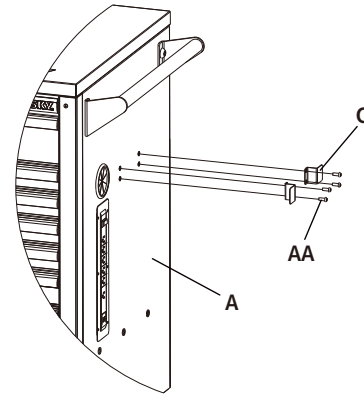
**CAUTION:** after removing the wood pallet and all packaging, use the Hex key (BB) or a 12mm socket wrench to tighten all 16 caster bolts, which may have become loose during shipment.

## 2 Attaching the Storage Hook

- Position the Storage hook (C) over the holes on the Cabinet (A).
- Attach Hook (C) using Bolts (AA) and tighten with supplied Hex key (BB).

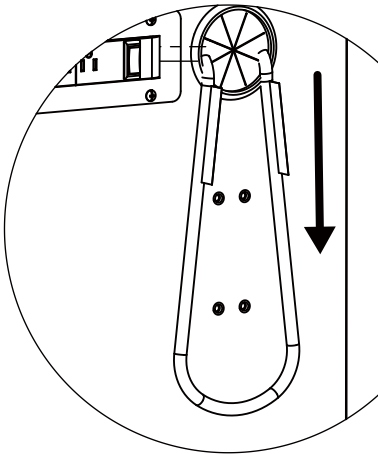


**CAUTION:** Do not over tighten the bolts.



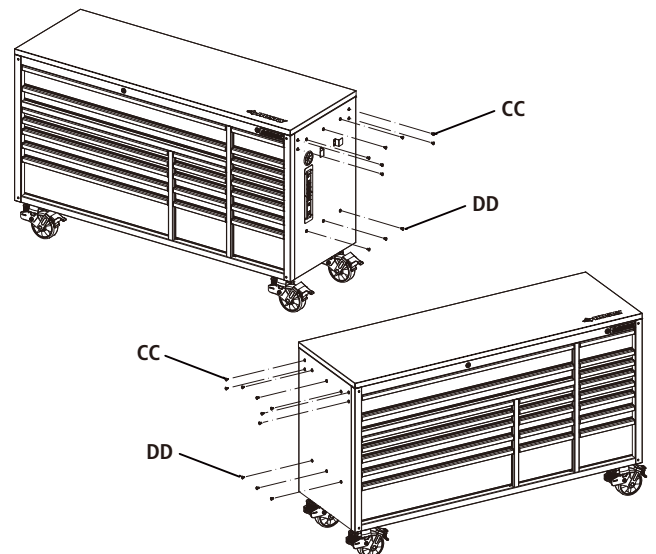
## 3 Installation of Power Cord

- Untie power cord located inside drawer.
- Gently pull cord plug through grommet.
- Wrap any loose or excess cord around the Cord Storage Hooks (C).



## 4 Plastic Plugs

- Insert the Plastic Plugs (CC&DD) into the remaining open holes on the side walls of the Cabinet (A) per the diagram below.



# 5 Adding drawer liner adhesive tape

- Use 4 pcs. of Drawer Liner Adhesive Tape (EE) to help secure the drawer liners in each drawer. The tape helps prevent shifting of the drawer liner during normal use.

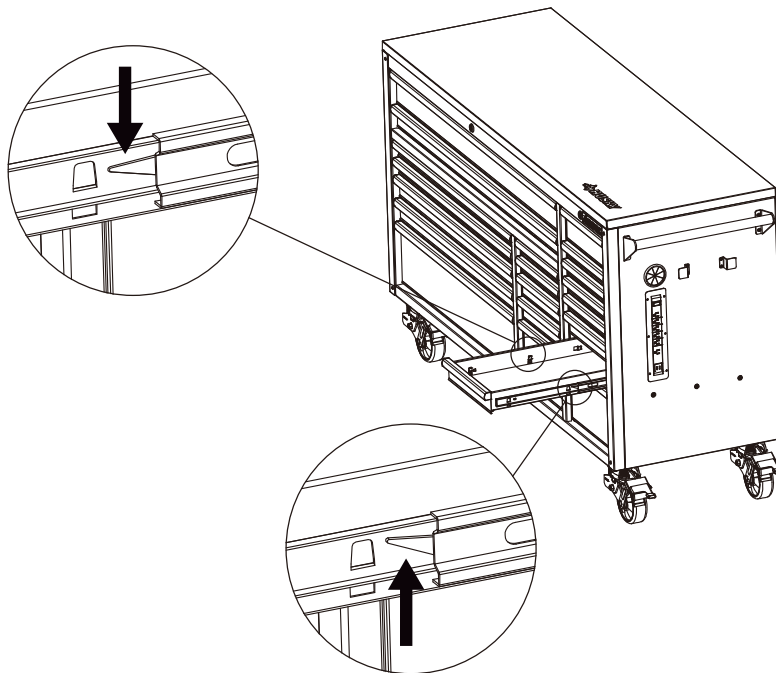
## Operation

### 1 Removing the drawers

- Fully extend the empty drawer.
- Push up on one release lever while pulling down on the other release lever.
- Gently pull the drawer outward until it is released from the drawer slide.

### 2 Re-inserting the drawers

- Extend the drawer slides.
- Insert the brackets on each side of the drawer into the slots in the slides, being careful that they are properly positioned.
- Once properly inserted, completely close the drawer to set the slides in their proper positions.



### 3 Kwikset Smartkey® Lock Operation

- This product has been equipped with the Kwikset Smartkey® locks which allow you to easily program each lock cylinder to a specific key code to match other Kwikset keyed products.
- The lock cylinders have been factory keyed to the corresponding alphabetic lettering found on the Kwikset Smartkey® label located on the back of the key chain, as well as affixed to the product itself.



- Please see the Kwikset Smartkey® supplemental instructions for keying and re-keying the locks.

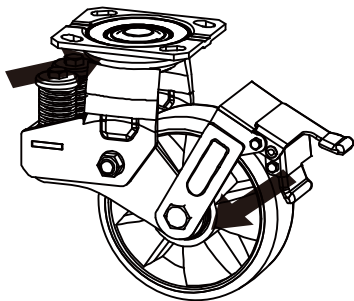
# Cordless Power Tool Battery Chargers

- See Charger's Owner's Manual for proper use and care of charger and batteries. Follow all Warnings and Instructions provided with your battery charger.
- Place chargers and electrical connections in till.
- Chargers are for use in dry locations only. Do NOT expose to liquid, vapor, or rain. Should your charger become wet, Do NOT attempt to use. Unplug extension cord from supply before handling wet charger or cords.
- Only use chargers and batteries that are intact and operating properly.
- Do NOT touch metal prongs when plugging charger into extension cord.
- Keep flammable materials like paper or rags away from charger, cords or connections.
- Do NOT place or attempt to charge lead acid, car type batteries in storage cabinet.

## Maintenance

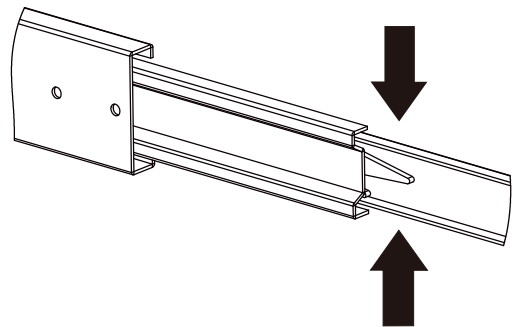
### 1 Caster maintenance

- Grease the casters annually using high-quality bearing grease.



### 2 Drawer maintenance

- Lubricate the slides semi-annually with high-quality bearing grease.

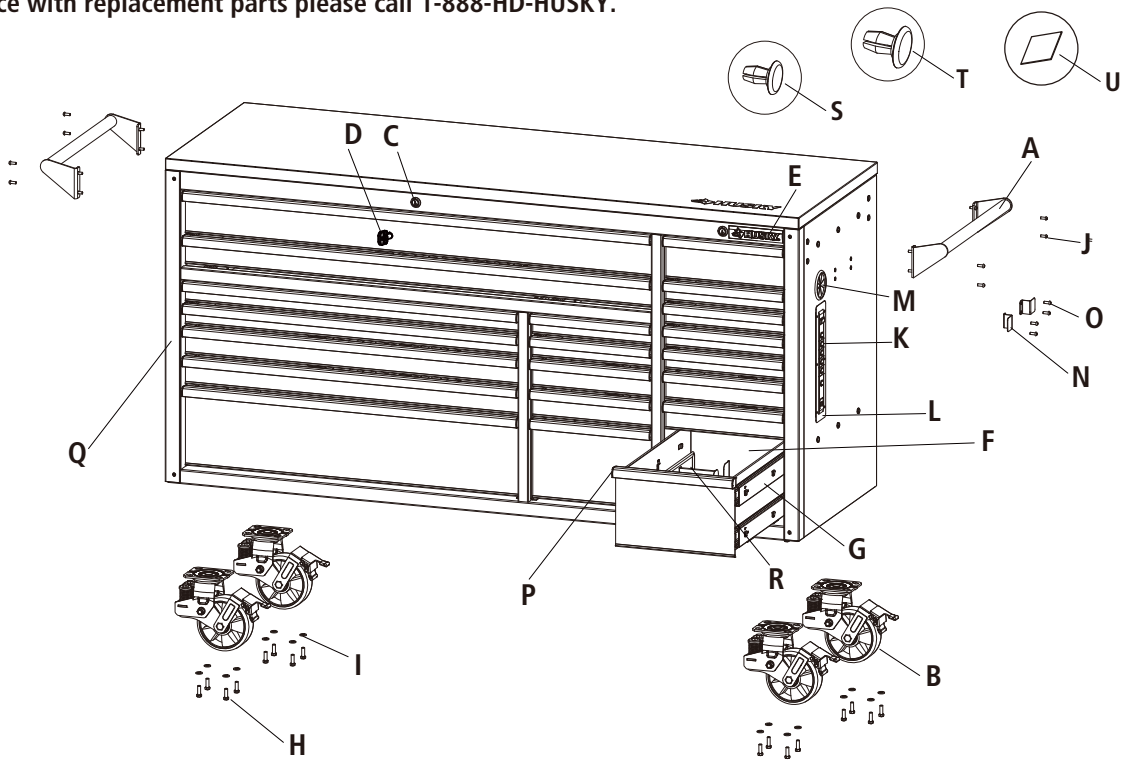


- Periodically clean the drawer fronts, drawer trim, and other surfaces with a mild detergent and water.
- Remove grease and oil with a standard nonflammable cleaning fluid.
- This product has been coated with an industrial UV-resistant power coating for a durable and long lasting finish. To help protect the coating, do not allow harsh chemicals to remain on the surface for extended periods of time.



# Replacement Parts

For assistance with replacement parts please call 1-888-HD-HUSKY.



Part	Part#	Description	Quantity
A	MC08515700	Cabinet Handle	2
B	AD03043400	Swivel Caster	4
C	AY04016500	Kwikset Smartkey® Lock	2
D	MB15003500	Key	4
E	PA18022600	Badge	1
F	PA06103600	Drawer Liner	20
G	AJ02027400	Drawer Slide (pairs)	24
H	MB05023100	Caster Bolt	16
I	MJ06000100	Caster Washer	16
J	MF05018900	Handle Bolt	8
K	AA99014600	Outlet	1
L	DB126478R5	Outlet Panel Cover	1
M	RA99012700	Rubber Grommet	1
N	ML990558R5	Storage Hook	2
O	MF05018900	Storage Hook Bolt	4
P	RA05007000	Drawer End Cap	40
Q	FAM00F3000	Aluminum Edge Guard	2
R	SNTE2055R5	Tool Holder	1
S	RA05009200	Plastic Plug (M6)	8
T	RA05009100	Plastic Plug (M8)	12
U	PA21002700	Drawer Liner Adhesive Tape	80



Questions, problems, missing parts? Before returning to the store call  
Husky Customer Service  
8 a.m. - 7 p.m., EST, Monday-Friday  
9 a.m. - 6 p.m., EST, Saturday

**1-888-HD-HUSKY**

**HUSKYTOOLS.COM**

Retain this manual for future use.



Store SKU # 1006636635  
Internet SKU # 1006581289  
Model # HPRO72HUTCHBLK

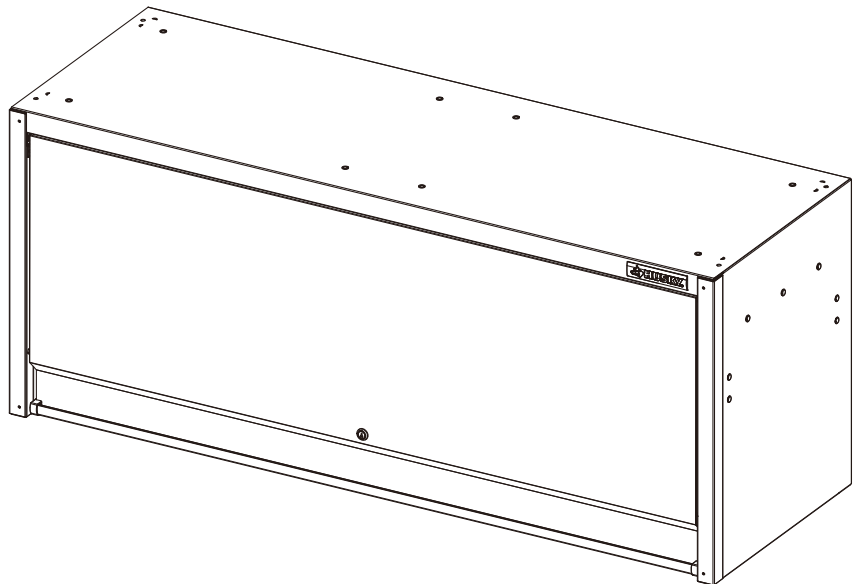
## USE AND CARE GUIDE

Husky Professional Duty 72 in. Hutch

Questions, problems, missing parts?  
Before returning to the store, call  
Husky Customer Service  
8 a.m – 7 p.m., EST, Monday-Friday  
9 a.m – 6 p.m., EST, Saturday

1-888-HD-HUSKY

HUSKYTOOLS.COM



---

### **THANK YOU**

*We appreciate the trust and confidence you have placed in Husky through the purchase of this hutch . We strive to continually create quality products designed to enhance your home. Visit us online to see our full line of products available for your home improvement needs. Thank you for choosing Husky!*

# Table of Contents

Table of Contents.....	2	Assembly .....	6
Safety Information .....	2	Cordless Power Tool Battery Chargers .....	11
Warranty.....	4	Maintenance.....	11
Specifications .....	4	Replacement Parts .....	12
Package Contents.....	4		
Hardware Included.....	4		
Tools For Assembly (Not Included) .....	4		

## Safety Information

1. To reduce the risk of injury, please read and follow the safety instructions below before assembling and using this product.
2. Two or more people are required for the assembly of this product.
3. Secure this product properly before moving it with a forklift.
4. Do not tow the product with power equipment.
5. Do not alter this product in any manner. For example, do not weld external lock bars or attach electrical equipment.
6. Before locking the hatch, ensure there are no obstructions in order for the door to completely close and lock bars to work properly.



**CAUTION:** Keep the product on level surfaces. The product may become unstable and tip if stored or moved on an unlevel surface, which may cause personal injury or product damage.



**CAUTION:** Lock the door before moving this product. The door could come open and make the product unstable, which may cause personal or product damage.



**CAUTION:** Do not attach or mount this product to a vehicle or mobile trailers. This may cause personal injury or product damage. Mounting this product to any vehicle or mobile trailers in any manner will void warranty.



**CAUTION:** Do not stand, sit or climb on this product. You may fall which may cause personal injury or product damage.

## !Save these instructions.

## 7. Extension cord

- Follow all manufacturers' Warnings and Operating Instructions for your extension cord.
- Do not insert extension cord through hole without grommet in place.
- Only use a three-wire extension cord with all three prongs intact. Never remove the round grounding prong.
- Extension cord must be connected to a 125 Volt GFCI protected outlet with proper ground. If GFCI outlet is not available, use an extension cord with GFCI protection built in.
- Check the insulation and plugs of extension cord before using. Do NOT use cord if it is worn or damaged.
- Do NOT overload extension cord.
- Remove extension cord from the hole before moving or transporting Hutch.
- Only use an extension cord that is rated for outdoor use.
- Do NOT connect extension cord to outlet that also supplies critical safety equipment with power.

## 8. Electrical Shock Hazard

- Do not plug cord into outlet with wet hands.
- Do not use this Hutch near a bathtub, a shower, or a swimming pool.
- Hutch plugs must match the outlet.
- Never modify the plug in any way.
- Do not use any adapter plugs with earth (grounded) Hutch power strips.
- Unmodified plugs and matching outlets will reduce the risk of electric shock.
- Avoid body contact with earthed or grounded surfaces. There is an increased risk of electric shock if your body is earthed or grounded.



**WARNING:** Changes or modifications to this unit not expressly approved by the party responsible for compliance could void the user's authority to operate the equipment.



**NOTE:** This device complies with Part 15 of the FCC Rules. Operation is subject to the following two conditions: (1) this device may not cause harmful interference, and (2) this device must accept any interference received, including interference that may cause undesired operation.



**NOTE:** This equipment has been tested and found to comply with the limits for a Class B digital device, pursuant to Part 15 of the FCC Rules. These limits are designed to provide reasonable protection against harmful interference in a residential installation. This equipment generates, uses and can radiate radio frequency energy and, if not installed and used in accordance with the instructions, may cause harmful interference to radio communications. However, there is no guarantee that interference will not occur in a particular installation.

If this equipment does cause harmful interference to radio or television reception, which can be determined by turning the equipment off and on, the user is encouraged to try to correct the interference by one or more of the following measures:

- Reorient or relocate the receiving antenna.
- Increase the separation between the equipment and receiver.
- Connect the equipment into an outlet on a circuit different from that to which the receiver is connected.
- Consult the dealer or an experienced radio/TV technician for help.



**CAUTION:** RISK OF ELECTRICAL SHOCK: This unit has one power supply cord. Make sure the cord is unplugged before any servicing or cleaning.

# Warranty

This Husky Professional Grade product includes a Limited Lifetime Warranty, whereas the manufacturer warrants the product to be free from defects in materials and workmanship for the product's useful life. If any part of this product is found to be defective, the manufacturer's only obligation, and purchaser's exclusive remedy, is to provide replacement parts at the manufacturer's discretion, provided that the product has not been damaged through misuse, abuse, accident, modifications, alterations, neglect or mishandling.

This warranty shall not apply to any product that is found to have been improperly installed, setup, or used in any way not in accordance with the instructions supplied with the product. This warranty shall not apply to normal wear and tear or lack of maintenance, or a failure of the product as a result of use in a highly corrosive environment, improper storage, misuse, abuse, negligence, alteration, faulty installation, or any other failure not relating to faulty material or workmanship. This warranty shall not apply to the finish on any portion of the product such as surface and/or weathering, as this is considered normal wear and tear.

The manufacturer does not warrant and specifically disclaims any warranty, whether express or implied, of fitness for a particular purpose, other than the warranty contained herein. The manufacturer specifically disclaims any liability and shall not be liable for any consequential or incidental loss or damage, including but not limited to any labor/expense costs involved in the replacement or repair of said product.

Contact the Customer Service Team at 1-888-HD-HUSKY or visit [www.huskytools.com](http://www.huskytools.com).

# Specifications

Maximum weight (shelf)	150 lbs.
------------------------	----------

# Package Contents

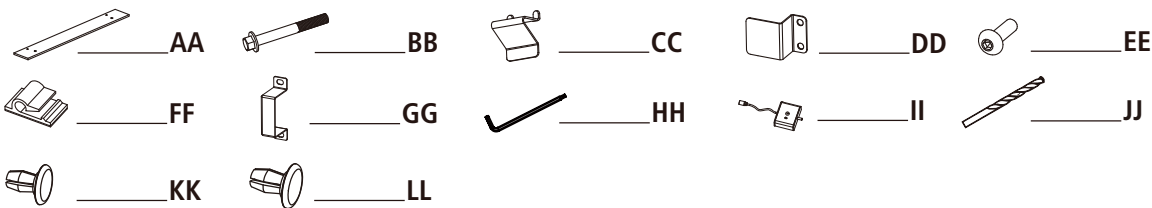
## HARDWARE INCLUDED



**NOTE:** Hardware not shown to actual size.

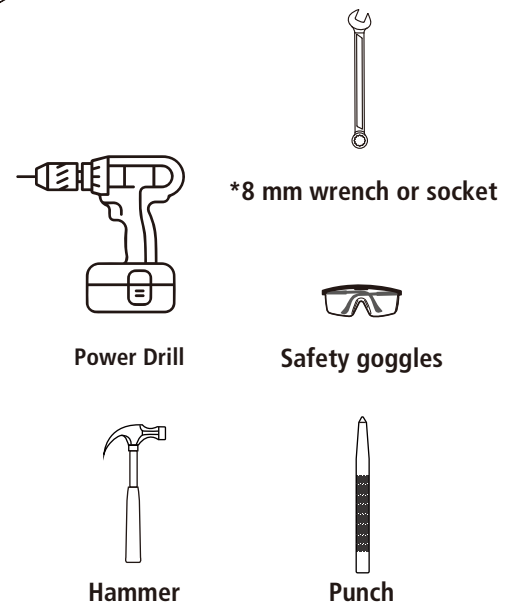


**NOTE:** Begin product assembly close to the final intended location of your hutch. The product is heavy and may be difficult to move after assembly.



Part	Description	Quantity
AA	Drill template	1
BB	Hexagon head flange bolt (M6*48mm)	8
CC	Shelf clip	5
DD	Storage hook	6
EE	Hex socket button cap bolt	16
FF	Cable clip	6
GG	Transformer holder	2
HH	Hex key	1
II	Motion sensor	1
JJ	Stop drill bit	1
KK	Plastic plug (M6)	8
LL	Plastic plug (M8)	6

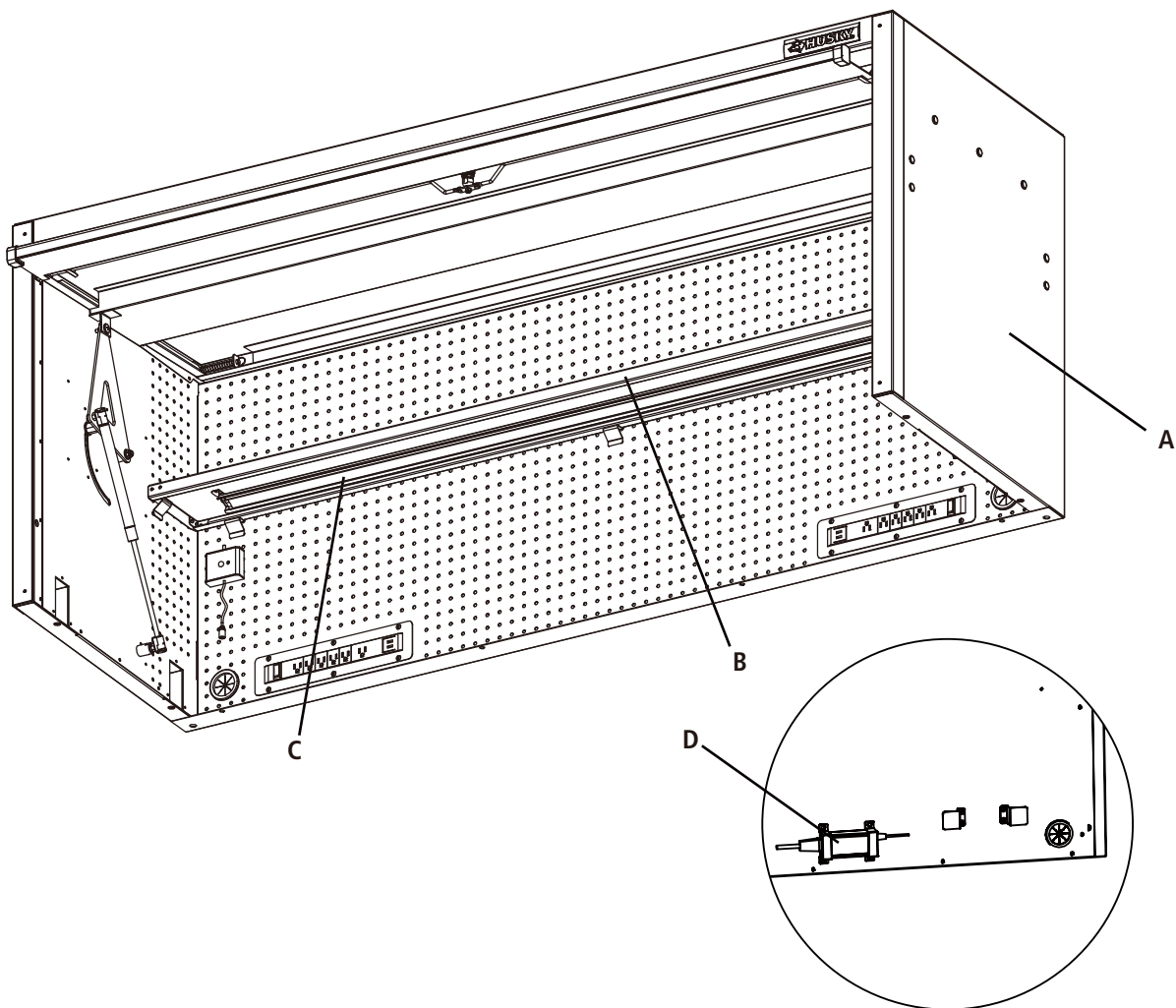
## TOOLS FOR ASSEMBLY (Not Included)



# Package Contents (continued)



**NOTE:** Hutch keys are attached to door.



Part	Description	Quantity
A	Hutch	1
B	Shelf	1
C	LED Light (YLED 301-S)	1
D	Transformer	1

# Assembly

The 72 in. Hutch is designed to specifically fit only on the Husky Professional Duty 72 in. 20-Drawer Workbench , which includes the following products:

72 in. 20-Dr. Professional Duty Workbench	Model # HPRO72MWC20BLK	SKU # 1006636633 / 1006581370
27.5 in. Professional Duty Side Locker	Model # HPRO27SLOCKERBL	SKU # 1006636654 / 1006581373
63.5 in. Professional Duty Top Locker	Model # HPRO63TLOCKERBL	SKU # 1006636637 / 1006581369
72 in. Professional Duty Top Locker	Model # HPRO72TLOCKERBL	SKU # 1006636636 / 1006581287

## 1 Drill attachment holes

- Align and fix the Drill template (AA) on the back left corner of the stainless steel top of the Husky Professional 72in Workbench, flush with the left edge. Figure 1:1.
- Use a marker to mark hole locations A, B, C. Figure 1:2.
- Align the Template (AA) on the back right corner, flush with the right edge and mark hole locations B, C, D. Figure 1:3.
- Flip the Template (AA) over and align with the front right corner, flush with the right edge and mark hole location A. Figure 1:4.
- Align the Template (AA) on the front left corner, and mark only hole location D. Figure 1:5.
- There should be a total of 8 marked hole locations on the steel work top. Ensure correct, per Figure 1:6.
- Use a hammer and punch to create a small divot in the steel top at each of the marked locations for the drill bit to align.

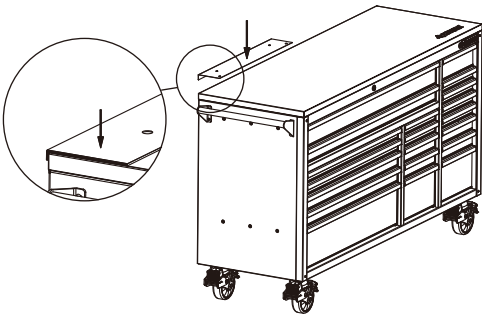


Figure 1:1

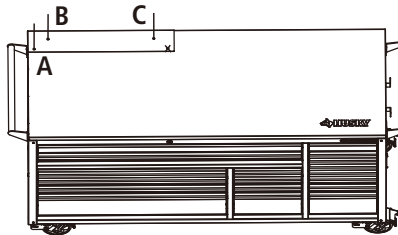


Figure 1:2

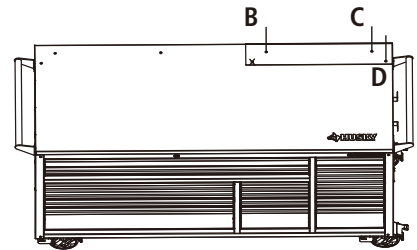


Figure 1:3

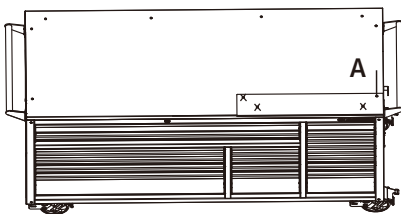


Figure 1:4

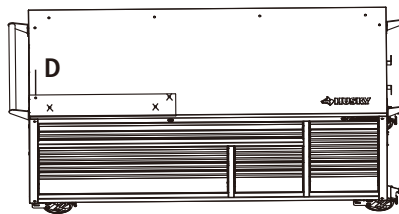


Figure 1:5

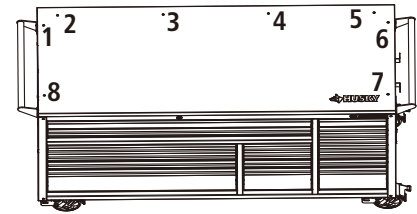
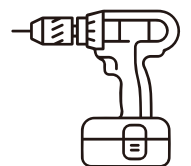


Figure 1:6



**CAUTION:** Use caution when drilling the attachment holes through the steel top.



Power Drill

- Using a power drill and the Stop drill bit (JJ), carefully drill the 8 connection holes. Ensure holes are drilled clean and perpendicular to the surface to properly expose the press nuts beneath.

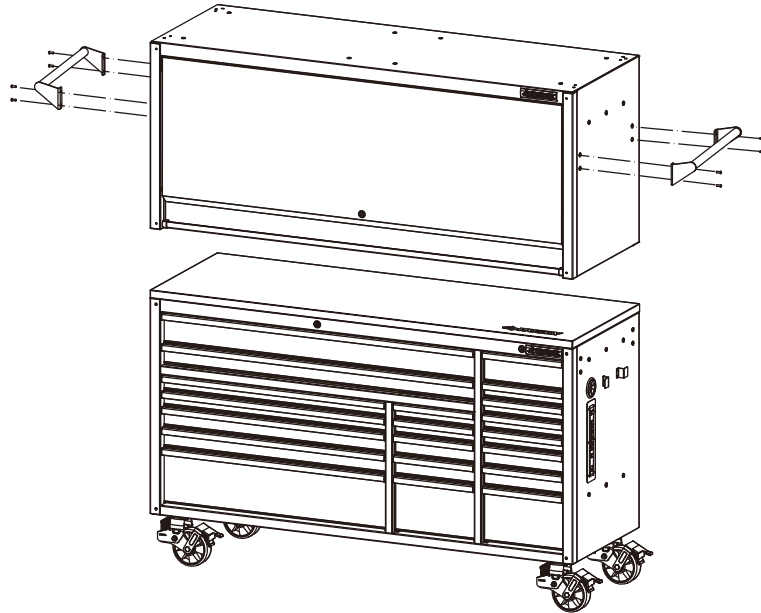


## 2 Attach the Hutch to the Workbench

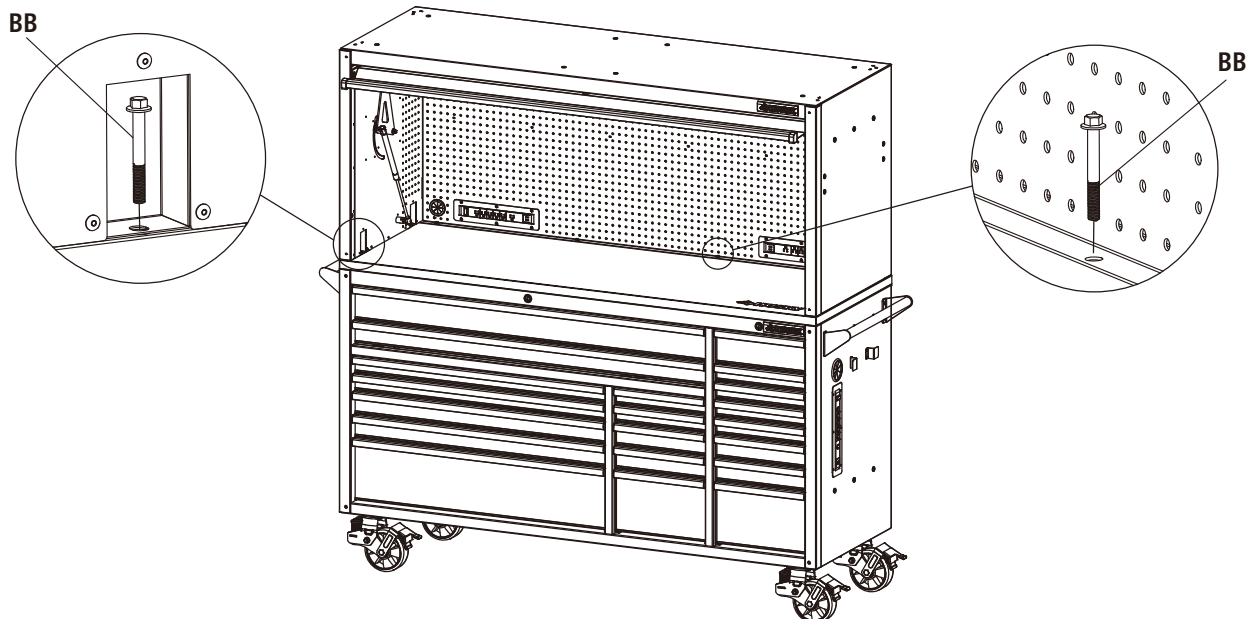


**CAUTION:** Two people are required for assembly.

- Remove the 2 side handles and 8 bolts (not included with Hutch) from the existing 72 in. 20-Dr. Workbench and temporarily attach to the Hutch to help with lifting for assembly. The handles can be re-installed on the 72 in. 20-Dr. Workbench once the Hutch assembly is complete.
- Carefully lift the Hutch (A) and gently place on the Workbench.
- Open the Hutch door and check for proper alignment of the connection holes through the steel work surface. Ensure the Hutch is flush with the front and sides of the Workbench.

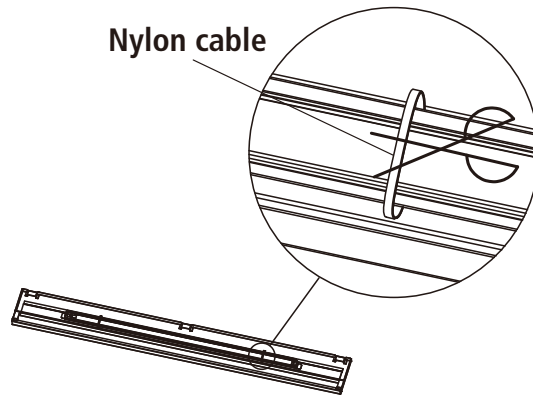


- Use 8 pcs M6\*48mm flange bolts (BB) to secure the Hutch along the sides and back to the Workbench. Tighten with a 8mm socket or wrench.
- Be careful not to over tighten.

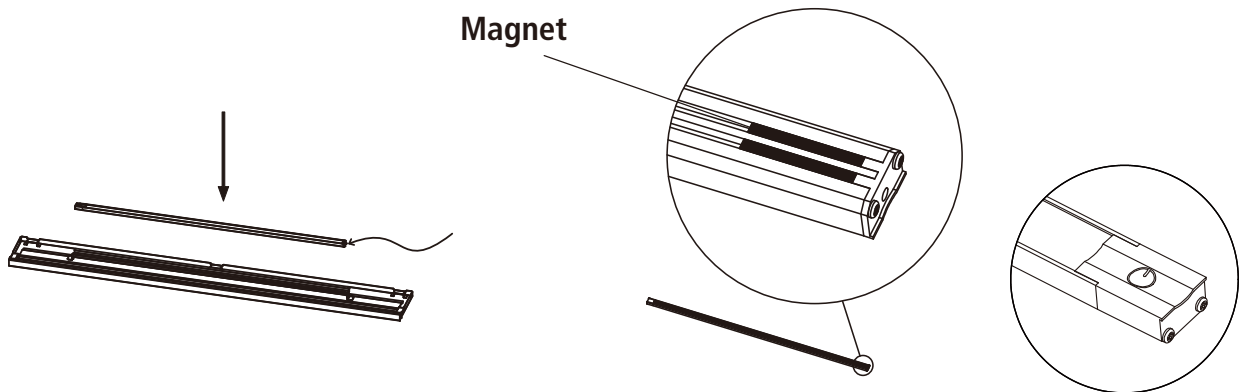


# 3 Attach the LED light

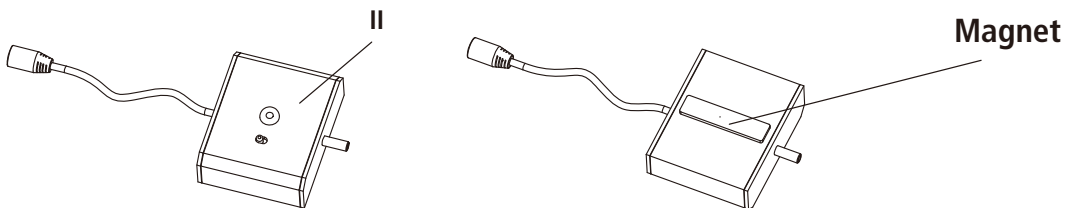
- The LED light has been pre-installed on the shelf. Remove any packing materials and the nylon cable ties bundled at both ends of the LED light.



- Insert the power cable into the end of the LED fixture, and reposition so it's centered on the shelf.  
Note: The back of the LED fixture is magnetic and attaches directly to the articulating holder under the shelf.

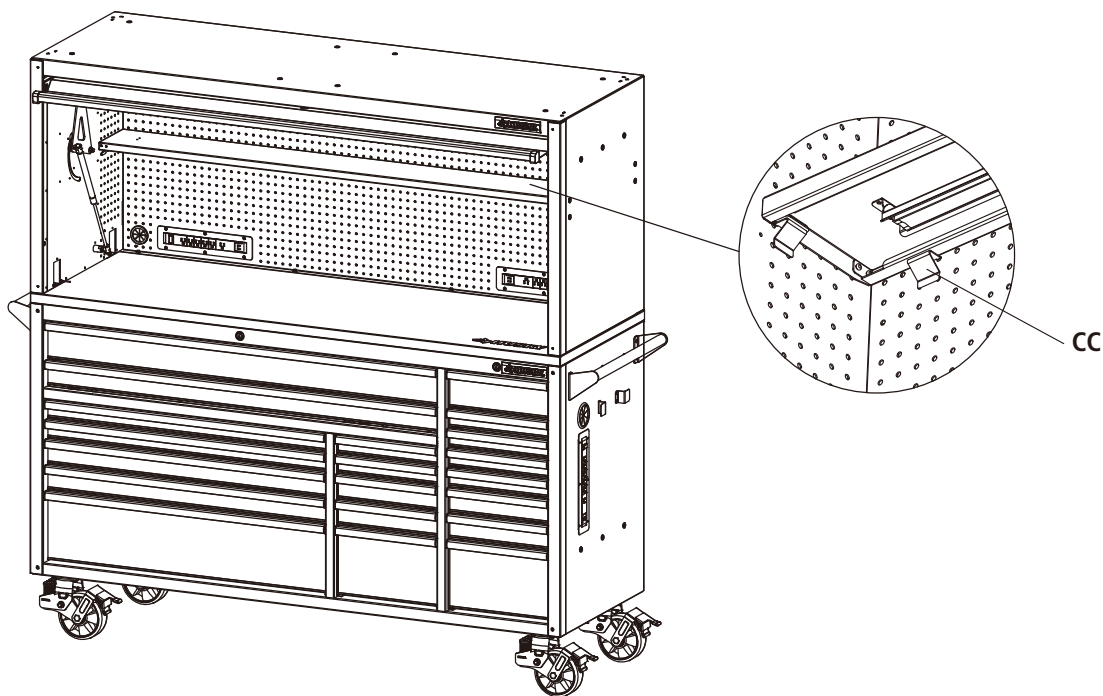


- The LED is equipped with a dimmer function built into the power switch.
- Touch the power switch button once for 20% output. Touch again for 50%, again for 100%, and again for OFF.
- The Motion Sensor (II) is magnetic and can be installed where best suited according to your preference.
- It is equipped with an On/Off switch indicated by the blue light in the sensor. The LED can work with or without the Motion sensor. Once motion is detected, the LED stays on for approximately 150 seconds and will turn off if no motion is further detected.
- The dimmer setting (20%, 50% or 100%) is saved each time the Motion sensor turns the LED on and off.
- Plug the transformer cable into the motion sensor and route the cable through the access grommet to a power source.



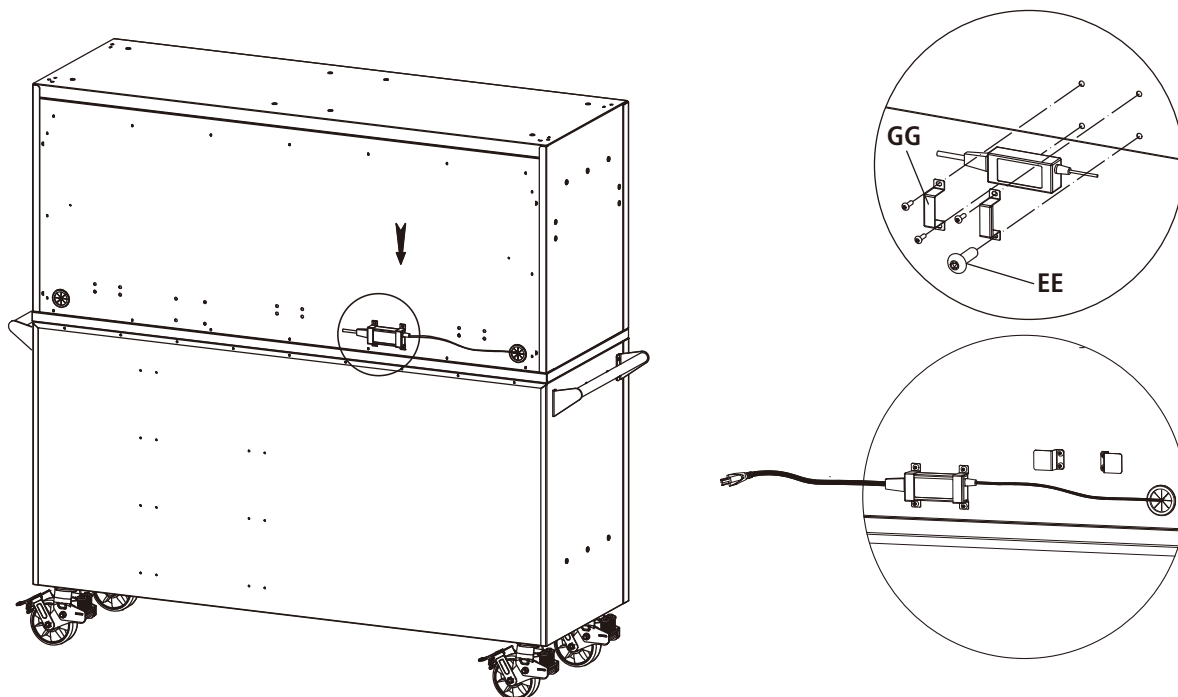
## 4 Attach the Shelf in the Hutch

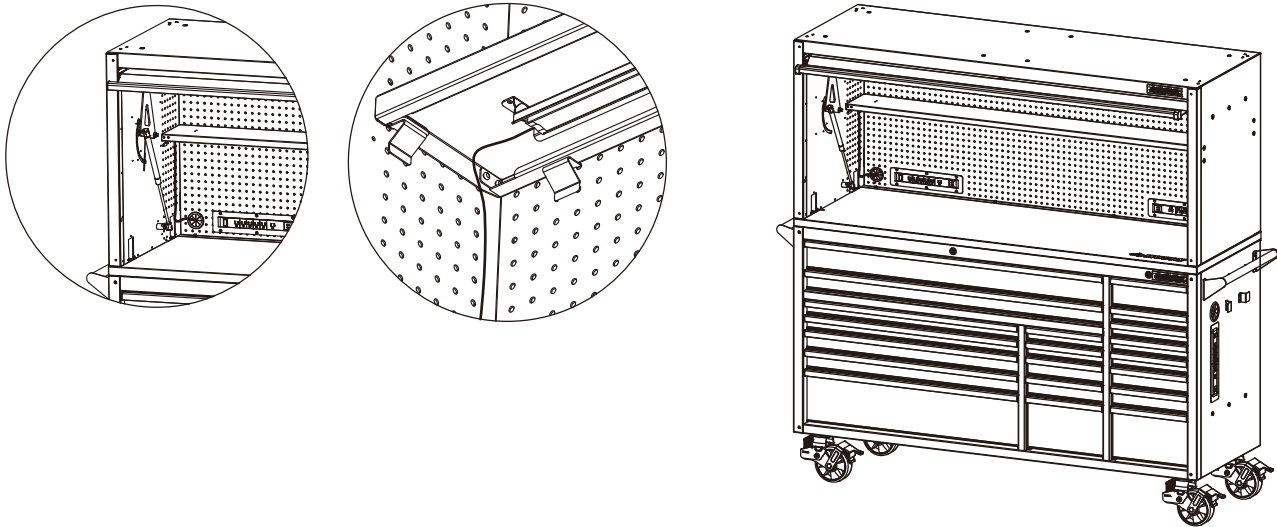
- Put the Shelf (B) into the inner cavity of Hutch (A) at the desired height and install the 5 pcs Shelf Clips (CC) to the pegboard to align with the notches in the Shelf.



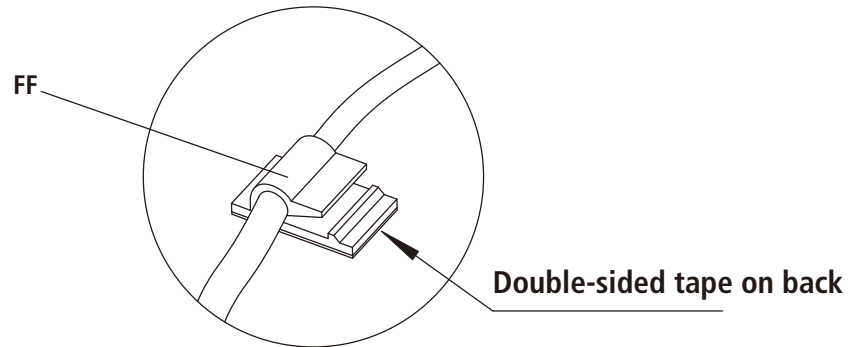
## 5 Attach the Transformer Holders

- Secure the LED Transformer (D) to the back of the Hutch using the 2 the Transformer Holders (GG) with 4 pcs Hex socket button cap bolt (EE).
- Tighten with Hex Key (HH).



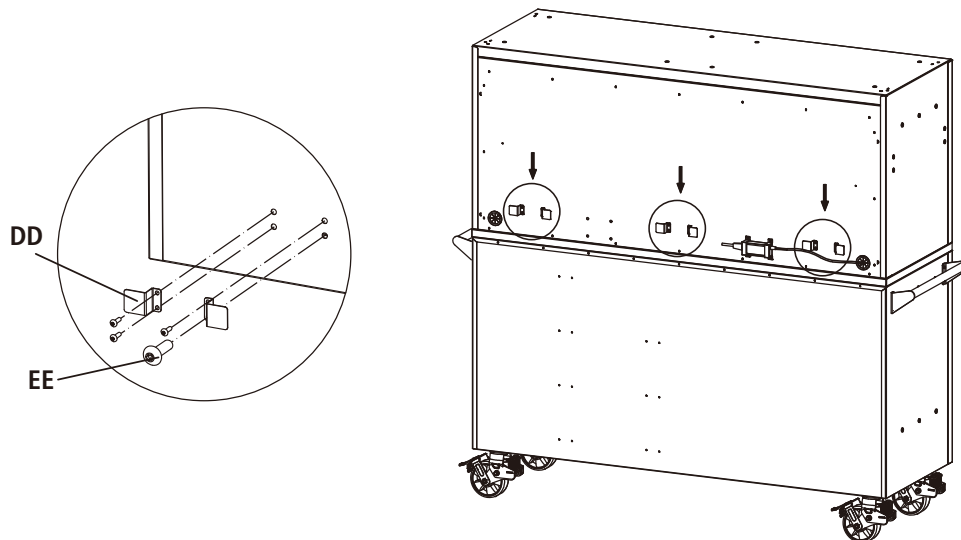


- Use the Cable clips (FF) to attach the power cord from the LED light and route the wire along the backwall to connect to the Motion Sensor(II).



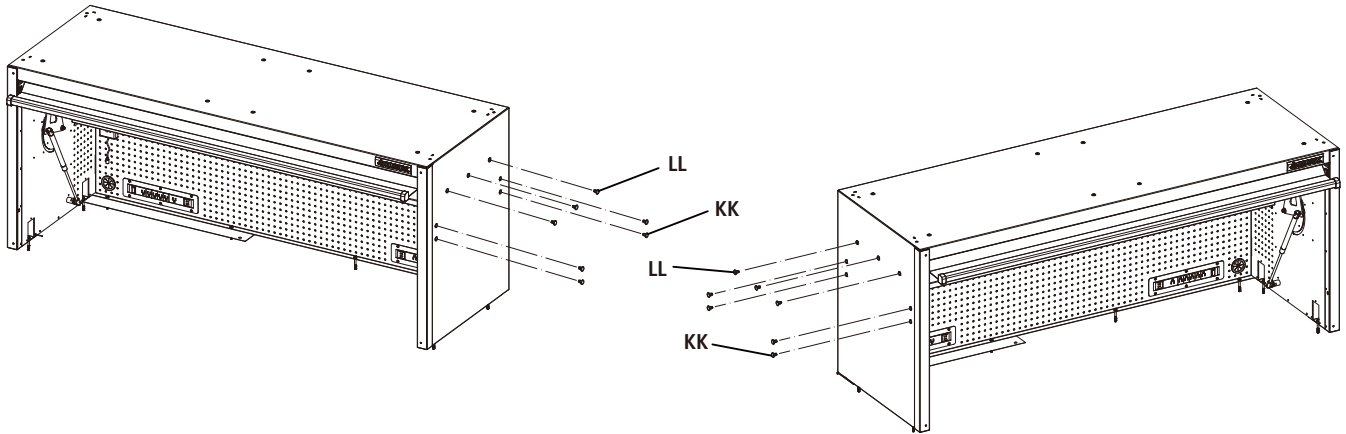
## 6 Attach the Storage Hooks

- Attach the Storage Hooks (DD) for the power cord on the back of the Hutch with 12 pcs Hex button bottom cap bolt (EE).
- Tighten with Hex Key (HH).



# 7 Plastic Plugs

- Insert the Plastic Plugs (KK&LL) into the remaining open holes on the side walls of the Hutch (A) per the diagram below.



# 8 Kwikset Smartkey® Lock Operation

- This product has been equipped with the Kwikset Smartkey® locks which allow you to easily program each lock cylinder to a specific key code to match other Kwikset keyed products.
- The lock cylinders have been factory keyed to the corresponding alphabetic lettering found on the Kwikset Smartkey® label located on the back of the key chain, as well as affixed to the product itself.



- Please see the Kwikset Smartkey® supplemental instructions for keying and re-keying the locks.

## Cordless Power Tool Battery Chargers

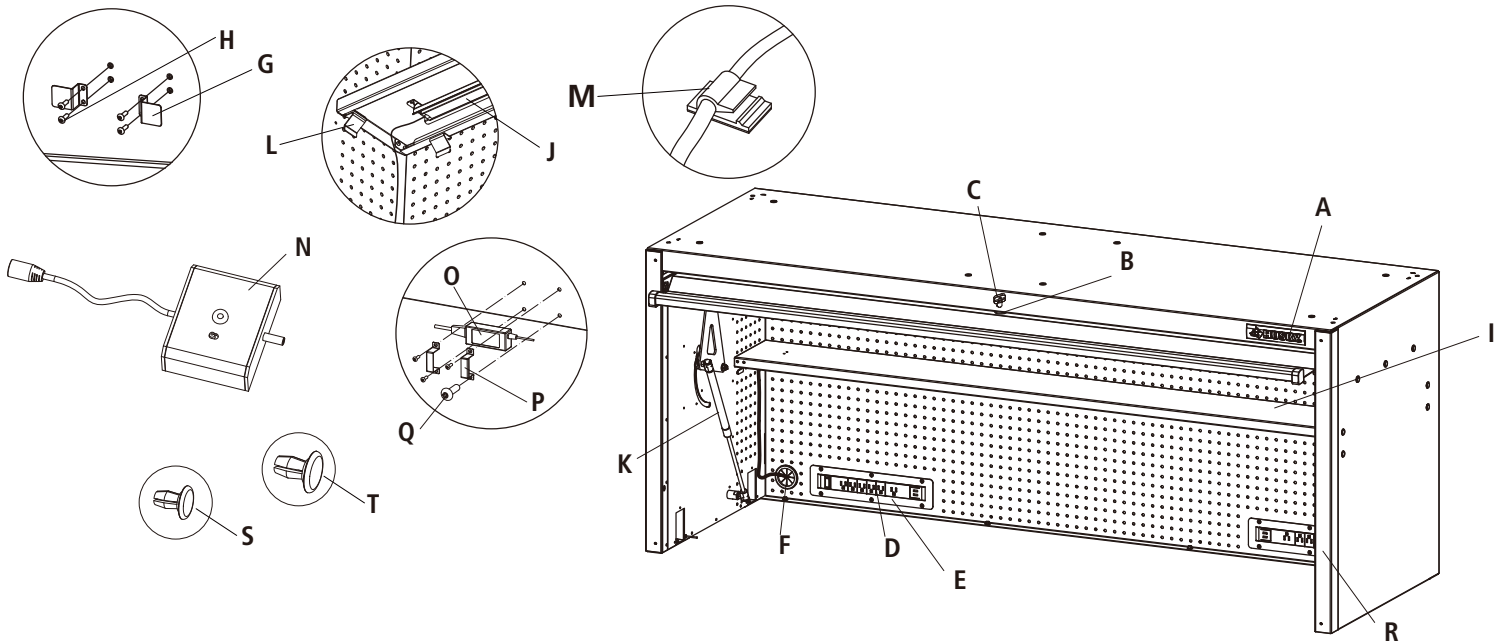
- See Charger's Owner's Manual for proper use and care of charger and batteries. Follow all Warnings and Instructions provided with your battery charger.
- Place chargers and electrical connections in till.
- Chargers are for use in dry locations only. Do NOT expose to liquid, vapor, or rain. Should your charger become wet, Do NOT attempt to use. Unplug extension cord from supply before handling wet charger or cords.
- Only use chargers and batteries that are intact and operating properly.
- Do NOT touch metal prongs when plugging charger into extension cord.
- Keep flammable materials like paper or rags away from charger, cords or connections.
- Do NOT place or attempt to charge lead acid, car type batteries in Hutch.

## Maintenance

- Periodically clean the front, trim, and other surfaces with a mild detergent and water.
- Remove grease and oil with a standard nonflammable cleaning fluid.
- This product has been coated with an industrial UV-resistant power coating for a durable and long lasting finish. To help protect the coating, do not allow harsh chemicals to remain on the surface for extended periods of time.

# Replacement Parts

For assistance with replacement parts please call 1-888-HD-HUSKY.



Part	Part#	Description	Quantity
A	PA18022600	Badge	1
B	AY04016400	Kwikset Smartkey® Lock	1
C	MB15003600	Key	2
D	AA99014600	Outlet	2
E	DB12746700	Outlet Panel Cover	2
F	RA99020100	Rubber Grommet	4
G	ML990558R5	Storage Hook	6
H	MF05018900	Storage Hook Bolt	12
I	DB12745300	Shelf	1
J	AA99017400	LED Light (YLED 301-S) and Cord	1
K	MY11022000	Gas Strut	2
L	MY99080400	Shelf Clip	5
M	RA99023800	Cable Clip	6
N	AA99017400	Motion Sensor	1
O	AA99017400	Transformer	1
P	ML990810R5	Transformer Holder	2
Q	MF05018900	Transformer Holder Bolt	4
R	TAM00F2800	Aluminum Edge Guard	2
S	RA05009200	Plastic Plug (M6)	8
T	RA05009100	Plastic Plug (M8)	6



Questions, problems, missing parts? Before returning to the store call  
Husky Customer Service  
8 a.m. - 7 p.m., EST, Monday-Friday  
9 a.m. - 6 p.m., EST, Saturday

**1-888-HD-HUSKY**

**HUSKYTOOLS.COM**

Retain this manual for future use.