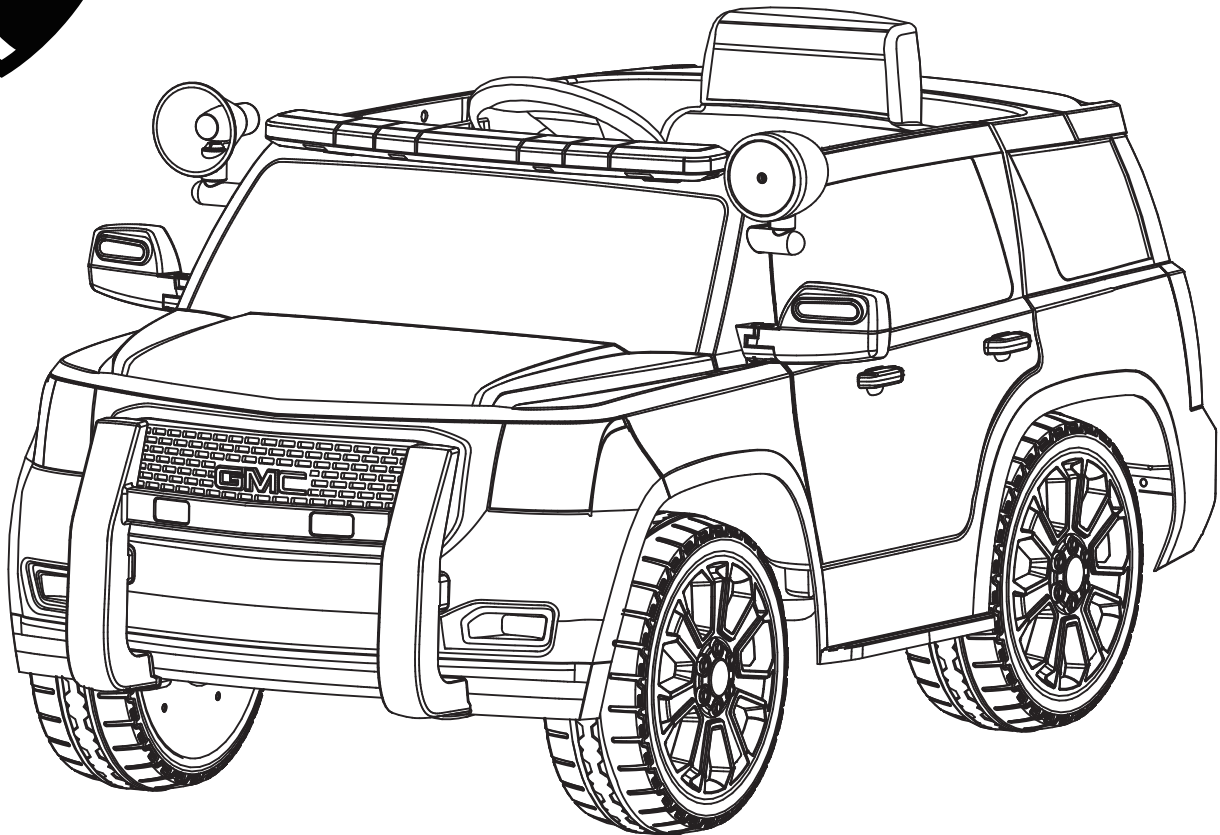




6V GMC Yukon Denali Fire



Owner's Manual and Assembly Instructions

Model #: W510AC-YD

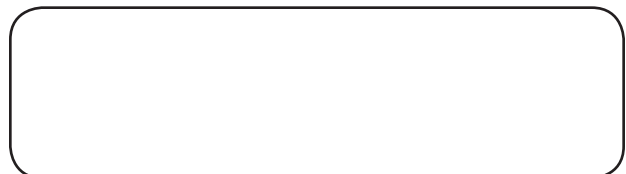
Read and understand the entire manual before assembly and operation. The vehicle must be assembled by an adult who has read and understands the instructions.

Made in China.

Styles and colours may vary. Do not return to store. Call 1-888-982-9309 for assistance and replacement parts.

IMPORTANT:

Save this manual with your sales receipt.



Introduction

Thank you for purchasing this RollPlay vehicle from Rollplay. We hope the rider enjoys it for miles to come. Please read this instruction guide carefully before assembling and operating the vehicle. Please have your model number and serial number ready before calling. Please have proof of purchase. Keep your sales receipt or register your product at www.rollplay.net.

Please contact Rollplay Customer Service with any questions.

Hours: 9 AM - 5 PM (CST), Monday - Friday

Phone: 1-888-982-9309

Email: customerservice@rollplay.net

Web: www.rollplay.net

Specifications:

BATTERY	6V 7AH
MOTOR	6V 15W
AGE	3 Years and Up
MAX WEIGHT	35 kg (77 lbs)
PRODUCT SIZE	121 x 47 x 65 cm (47.6" x 18.5" x 25.6")
SPEED	4 km/h (2.5 MPH)
RECHARGE TIME	8-12 Hours
TYPICAL RUN TIME	1-2 Hours
CHARGER OUTPUT	DC 7.0V0.7A

IMPORTANT!

YOU MUST CHARGE THE BATTERY FOR 24 HOURS BEFORE FIRST USE!

Charge the battery after each use.

Charge the battery at least once a month, even if the vehicle is not in use.

DO NOT RETURN THIS ITEM TO THE STORE!

Call Customer Service if you need assistance or replacement parts. Please have your model number and serial number ready before calling. Please have proof of purchase. Keep your sales receipt or register your product at www.rollplay.net as we may require proof of purchase.

1-888-982-9309

Read this entire manual to ensure proper assembly and safe operation of the vehicle.

This page is intentionally left blank.

Safety	6
Parts	8
Charging Instructions	9
Assemble the Wheels	10
Assemble the Right Rear Wheel	11
Assemble the Mirrors	12
Attach the Megaphone/Searchlight	13
Assemble the Steering Wheel	14
Assemble the Front Bumper	15
Assemble the Seat	16
Operation Instructions	17
Battery Removal	18
Maintenance	19
General Care	20
Troubleshooting Guide	21
FCC Information	23
Service and Repairs	24
Warranty	25
Product Registration	26



WARNING: SAFETY RIDING RULES

The user must follow all safety rules and guidelines, or serious injury or death may occur to the user.

- Always use common sense and safe practices when using the vehicle. The user must be at least 3 years old and weigh no more than 35 kg (77 lbs).
- This product contains small parts that are for adult assembly only. Keep small children away when assembling. Remove and dispose of all protective material and plastic bags before assembly.
- Riders must always wear a fitted helmet that complies with U.S. Consumer Product Safety Commission (CPSC) Standard 16 CFR 1203.
- Only sit on the seat in the vehicle.
- Do not allow more than one rider.
- Do not overload the vehicle. Do not remove the weight restriction decals.
- Do not pull the vehicle with another vehicle or similar device.
- Keep body parts such as hands, legs, hair and clothing away from moving parts. Moving parts can cause serious injury.
- Always wear shoes in the vehicle.
- Do not operate near streets or motor vehicles.
- Do not operate near drop-offs such as steps, steep inclines or hills. Operate on relatively level ground.
- Do not operate near water, swimming pools or other fluids.
- Do not operate in dangerous weather conditions such as rain or snow.
- Do not operate near loose dirt, mud, sand or fine gravel.
- Do not operate near flammable vapors (gasoline, paint thinner, acetone, etc.).
- Always use the vehicle in a safe, secure environment with adult supervision.

PREVENT INJURIES AND DEATHS:

NEVER LEAVE CHILD UNATTENDED. ALWAYS keep child in view when child is in vehicle. Direct adult supervision is **REQUIRED**.

NEVER use in roadways, near cars, on or near steep inclines or steps, swimming pools or other bodies of water.

ALWAYS wear shoes

ALWAYS sit on the seat

RISK OF FIRE. Do not bypass.

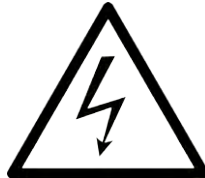


WARNING: BATTERY SAFETY

- Battery posts, terminals and related accessories contain lead and lead compound (acid) chemicals known to the state of California to cause cancer, reproductive harm, and are toxic and corrosive. DO NOT open the battery.



- Contact exposure to battery leakage (lead acid) may cause serious injury. Immediately contact your doctor if exposure occurs. If the chemical is on the skin, flush immediately with cool water for 15 minutes. If the chemical is swallowed, immediately give the person water or milk. Do not give water or milk if the person is vomiting or has decreased alertness. Do not induce vomiting.



- Tampering with or modifying the electric circuit system may cause shock, fire or explosion. It could permanently damage the system. Keep the charger housing closed to prevent exposed wiring, which may cause electric shock.

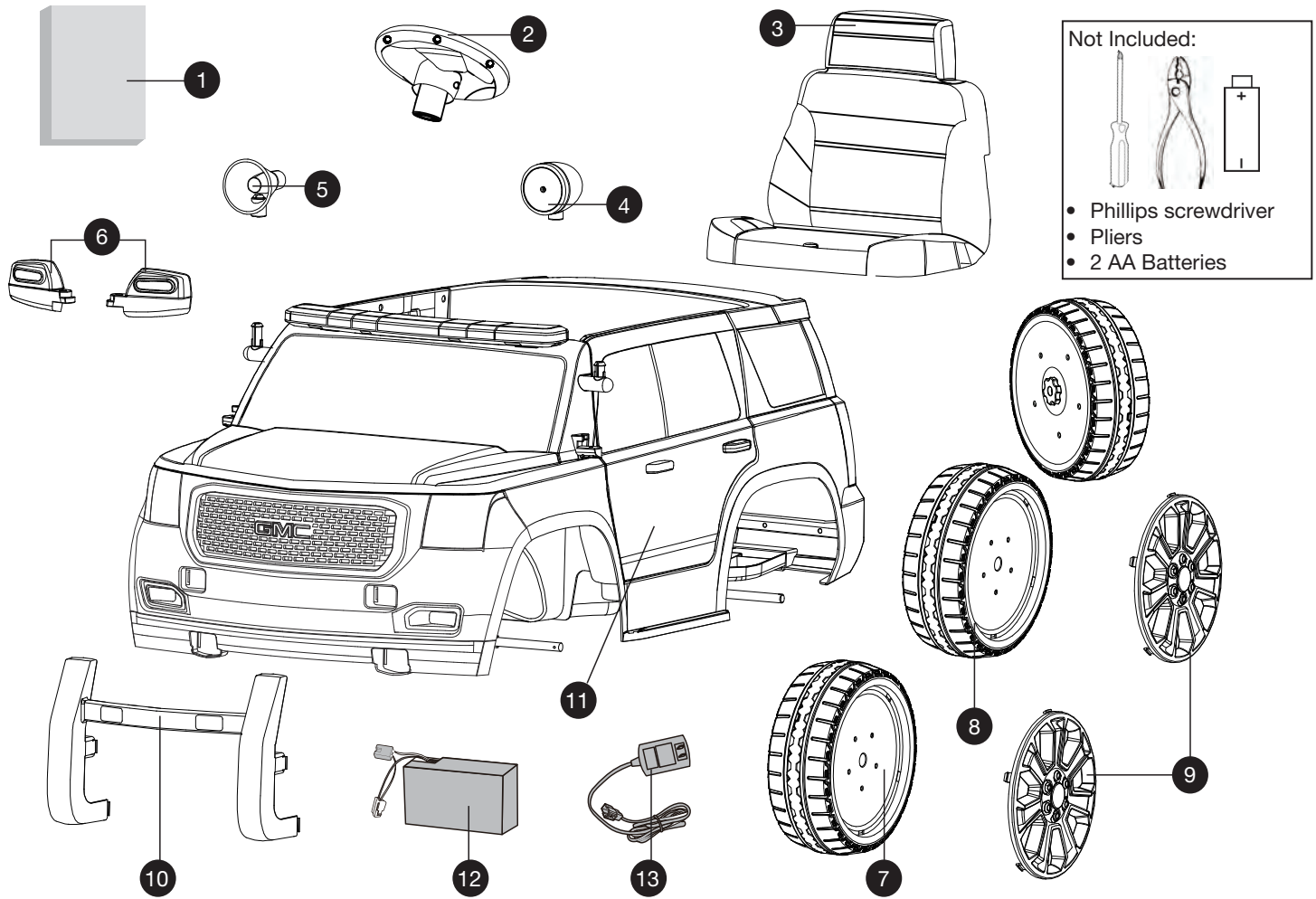
IMPORTANT: Before using the vehicle for the first time, the battery must be charged for a full 24 hours (no more than 30 hours).



WARNING: ADULT SUPERVISION REQUIRED

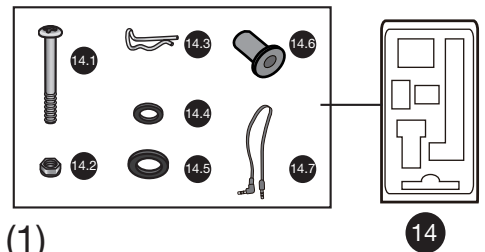
- Before using the vehicle, the rider must understand the vehicle controls and safety issues.
- It is the responsibility of the adult to educate the child and to determine if the child is capable of understanding the vehicle controls.
- An adult must ALWAYS directly supervise the use of this vehicle.
- NEVER leave a child unsupervised in the vehicle.

8 Parts



- 1. Manual
- 2. Steering Wheel
- 3. Seat
- 4. Searchlight
- 5. Megaphone
- 6. Left and Right Mirrors
- 7. Front Wheels (2)
- 8. Rear Wheels (2)
- 9. Rims (4)
- 10. Front Bumper
- 11. Car Body

- 12. Battery
- 13. Battery Charger
- 14. Blister Pack
- 14.1. Steering Wheel Screw (1)
- 14.2. Steering Wheel Nut (1)
- 14.3. Snap pin (4)
- 14.4. $\Phi 10$ Small Washer (4)
- 14.5. $\Phi 12$ Large Washer (3)
- 14.6. Inner Wheel Spacer
- 14.7. MP3 Cable



Helpful Tip:

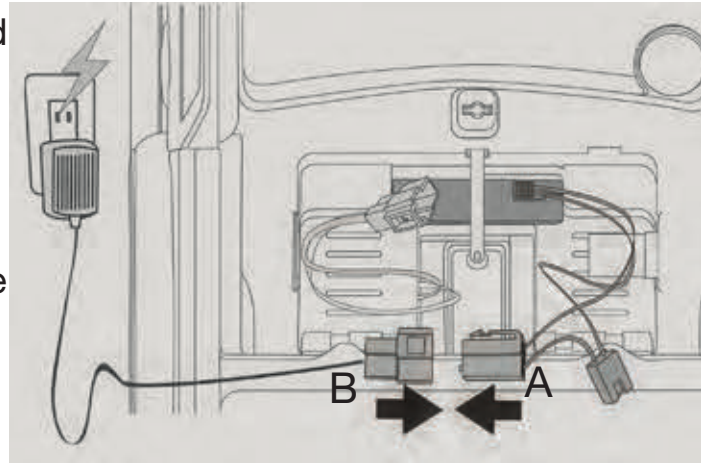
- 1. Parts 14.1-14.7 are located in the blister pack
- 2. Spare parts:
Small washer 1
Large washer 1
Snap pin 2

YOU MUST CHARGE THE BATTERY FOR 24 HOURS BEFORE THE FIRST USE!

ONLY AN ADULT SHOULD HANDLE THE BATTERY AND CHARGER.

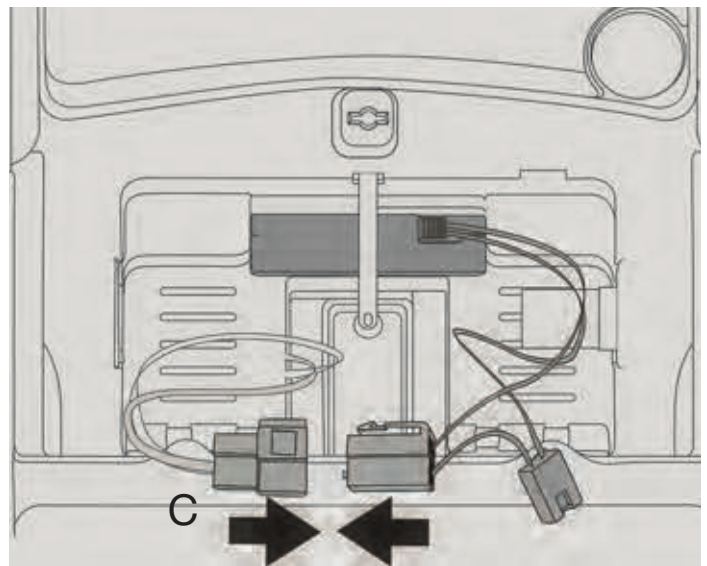
To Charge the Battery:

1. Ensure the vehicle is stopped and turned off.
2. Unlock and remove the seat.
3. Locate the red battery connector (A) that attaches directly to the battery.
4. Connect the red battery connector to the red battery charger connector (B).
5. Plug into a 120 V outlet.



To Reconnect the Battery:

6. Unplug the battery charger from the outlet.
7. Unplug the red battery connector from the red charger connector (B).
8. Connect the red battery connector (A) to the red engine connector (C).
9. Replace the seat and tighten lock.

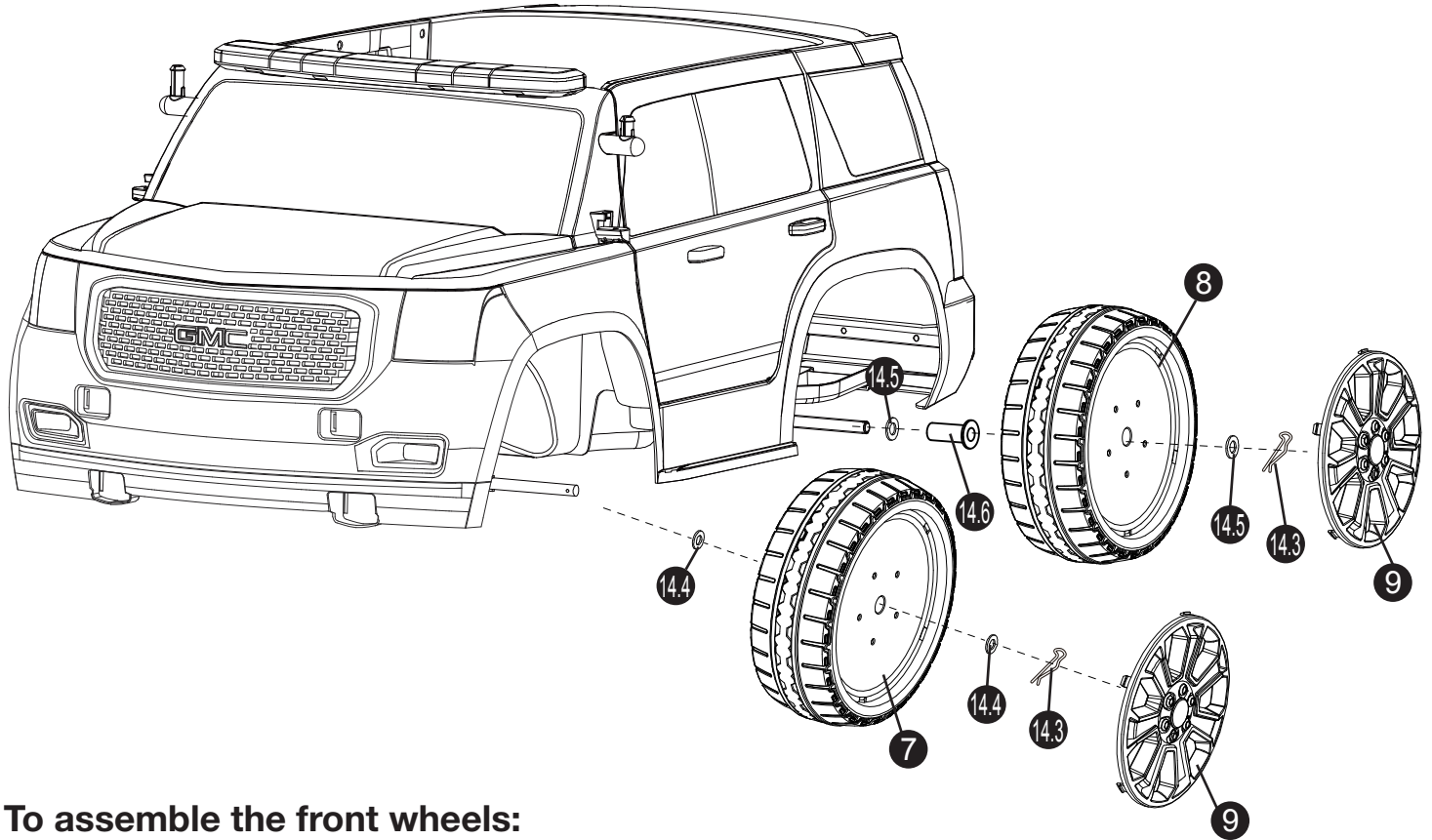


Note: It is not necessary to remove the battery for charging. However, if the battery does not reach the outlet, it can be removed for charging. For Battery Removal instructions, see Page 18.

Helpful Tip:

1. Ensure the red battery connector is connected to the red engine connector
2. Ensure the white gear box connector is connected to the white engine connector
3. NEVER connect a red connector to a white connector

10 Assemble the Wheels



To assemble the front wheels:

1. Locate the snap pins (14.3) and small washers (14.4) from the blister box.
2. Slide the front small washer (14.4) onto the axle.
3. Slide the front wheel (7) onto the axle.
4. Slide the front small washer (14.4) onto the axle, and then insert the straight end of the snap pin through the hole on the front axle.
5. Snap the wheel rim (9) onto the front wheel.
6. Repeat steps 1-5 for the other front wheel.

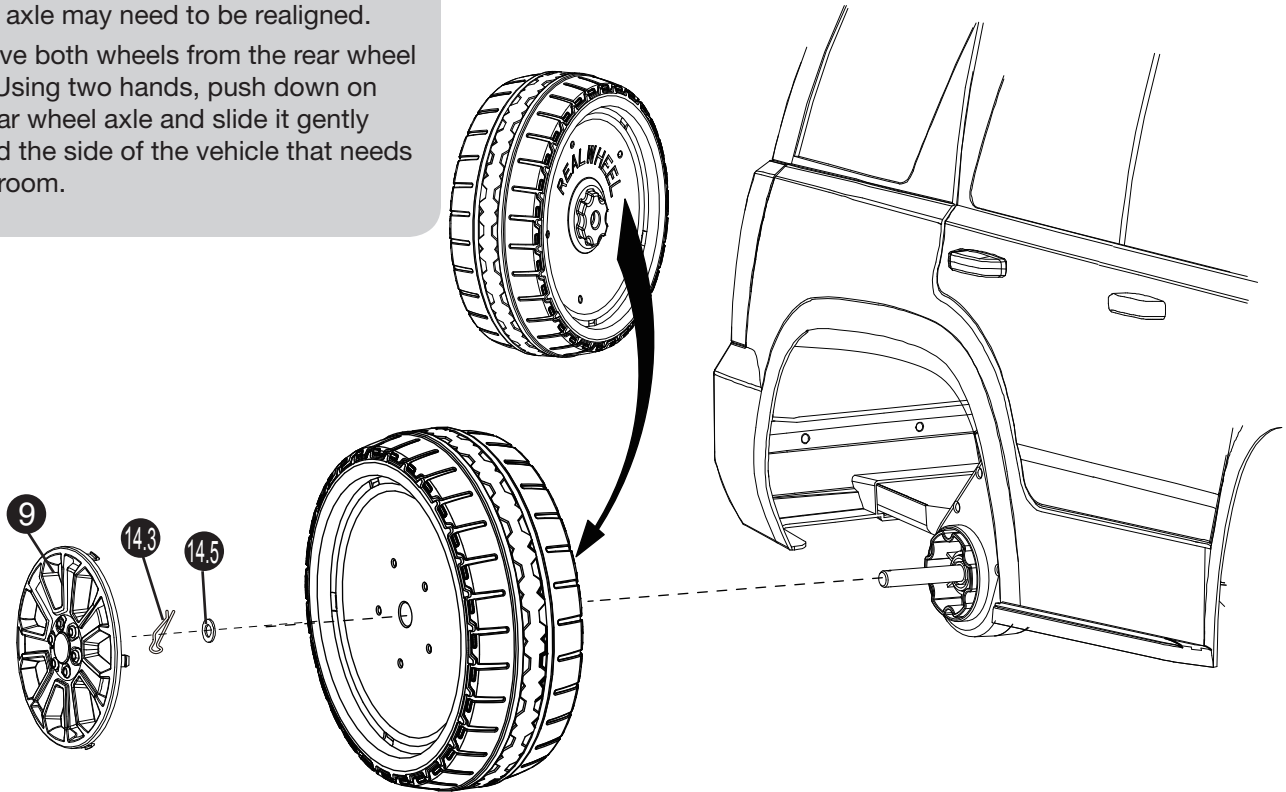
To assemble the left rear wheel:

1. Locate the snap pins (14.3), inner wheel spacer (14.6) and large washers (14.5) from the blister box.
2. Slide the rear large washer (14.5) onto the axle.
3. Slide the inner wheel spacer (14.6) onto the axle.
4. Slide the rear wheel (8) onto the axle with the gear teeth facing inward.
5. Slide the rear large washer (14.5) onto the axle, and then insert the straight end of the snap pin through the hole on the rear axle.
6. Snap the wheel rim (9) onto the rear wheel.

Assemble the Right Rear Wheel 11

Helpful Tip:

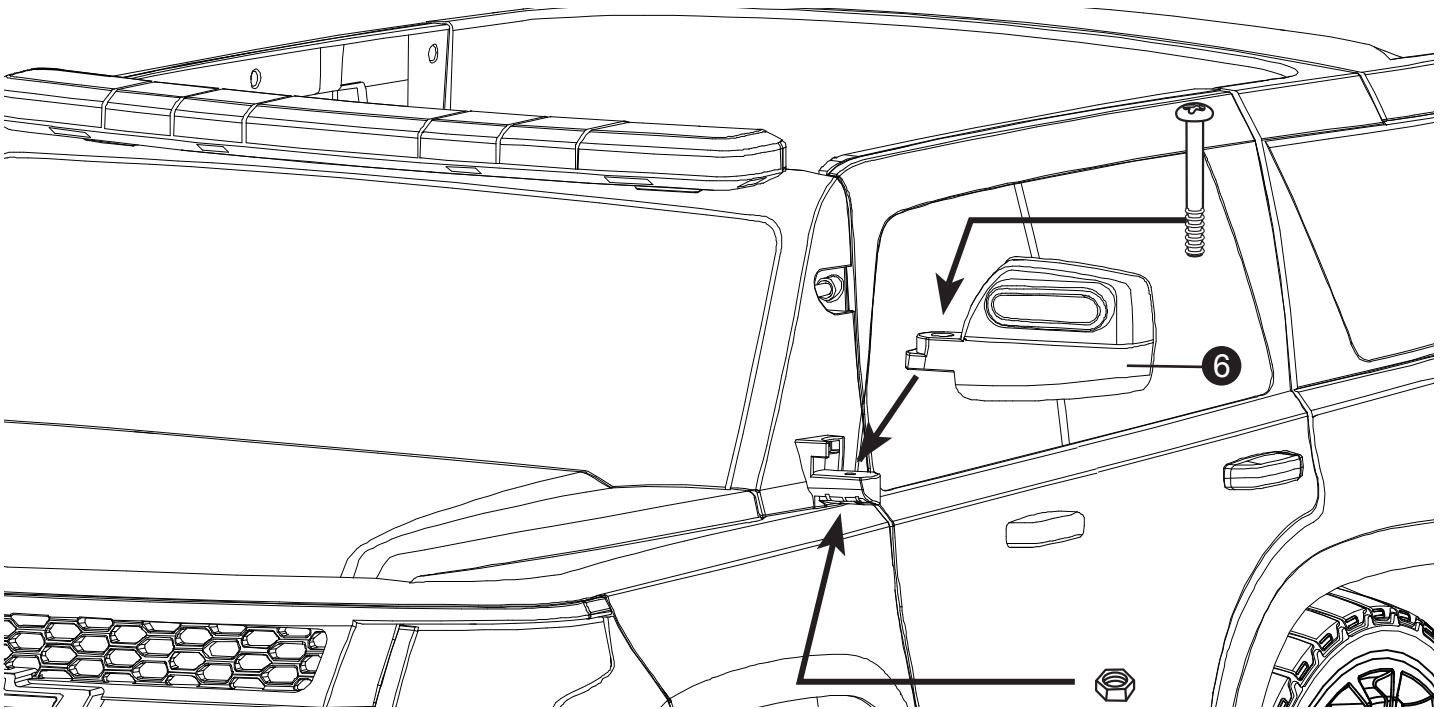
1. If you encounter trouble fitting both wheels onto the rear axle, then your rear wheel axle may need to be realigned.
2. Remove both wheels from the rear wheel axle. Using two hands, push down on the rear wheel axle and slide it gently toward the side of the vehicle that needs more room.



To assemble the right rear wheel:

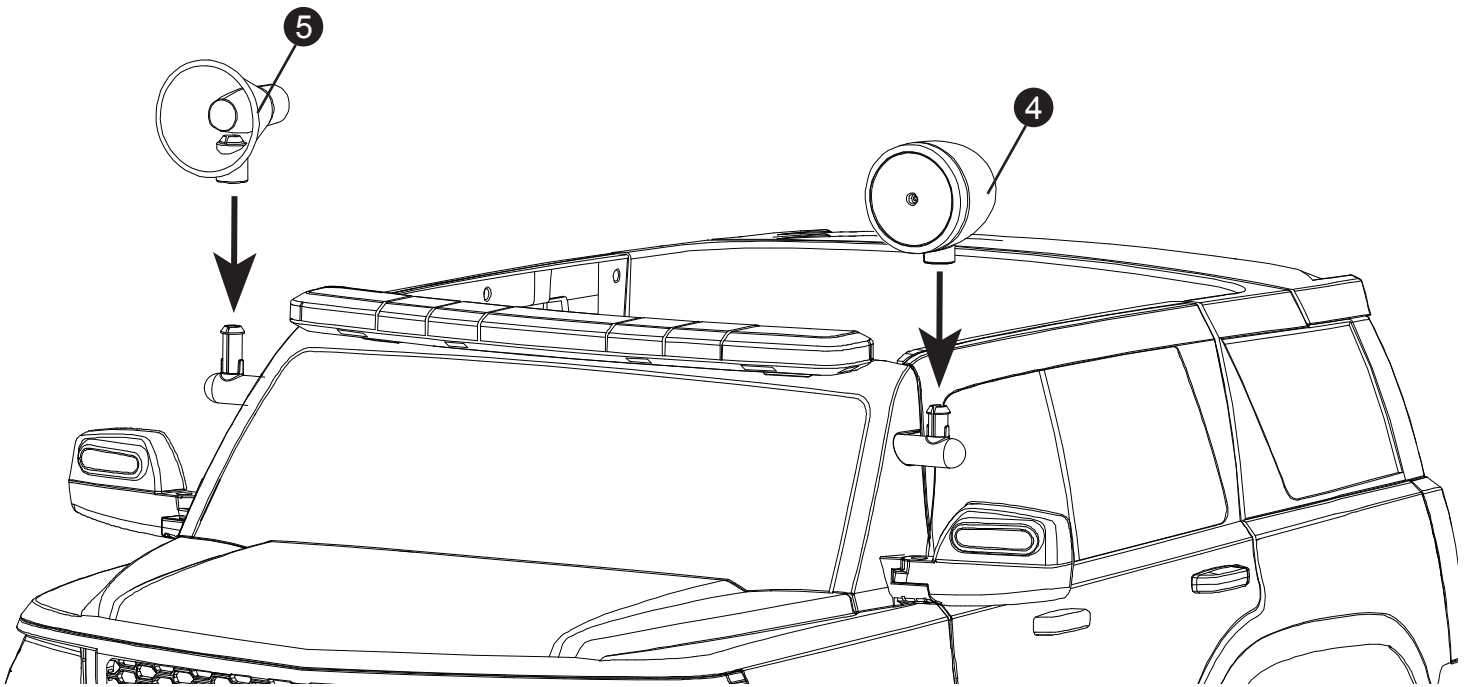
1. Locate the snap pins (14.3) and large washers (14.5) from the blister box.
2. Slide the rear wheel onto the axle with the gear teeth facing in. Ensure the gear teeth fully engage with the pre-installed gearbox.
3. Slide the rear large washer (14.5) onto the axle, and then insert the straight end of the snap pin through the hole on the rear axle.
4. Snap the wheel rim (9) onto the rear wheel.

12 Assemble the Mirrors



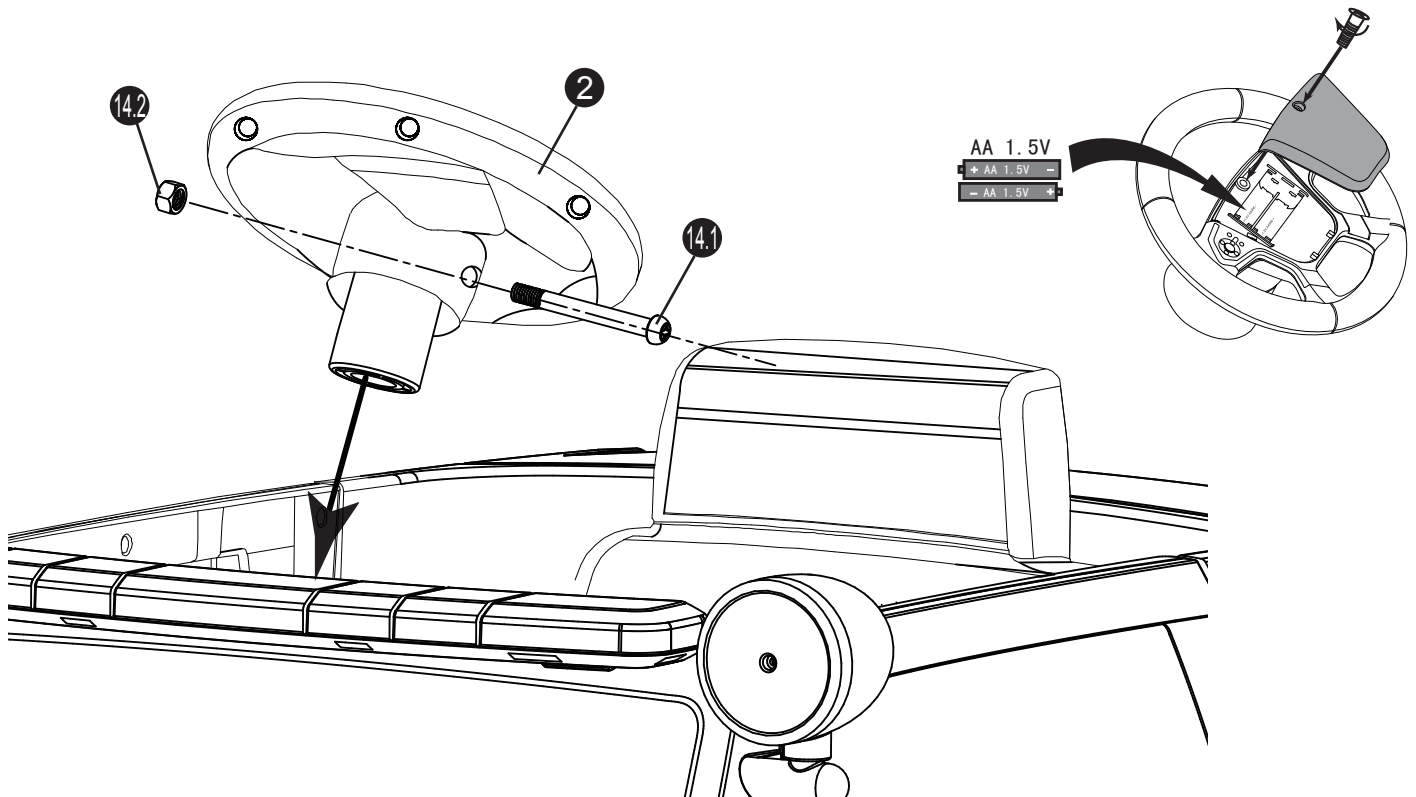
1. Remove the screw and nut from the mirror (6).
2. Align the hole on the mirror with the hole on the car.
3. Insert the screw into the hole, and insert the nut underneath the mirror slot.
4. Fasten the screw with a screwdriver to secure.
5. Repeat steps 1-4 for the other mirror.

Attach the Megaphone/Searchlight 13



1. Locate the searchlight (4) in the packaging.
2. Insert the searchlight into the slot near the left door.
3. Gently push until it clicks into place.
4. Repeat steps 1-3 for the megaphone (5).

14 Assemble the Steering Wheel

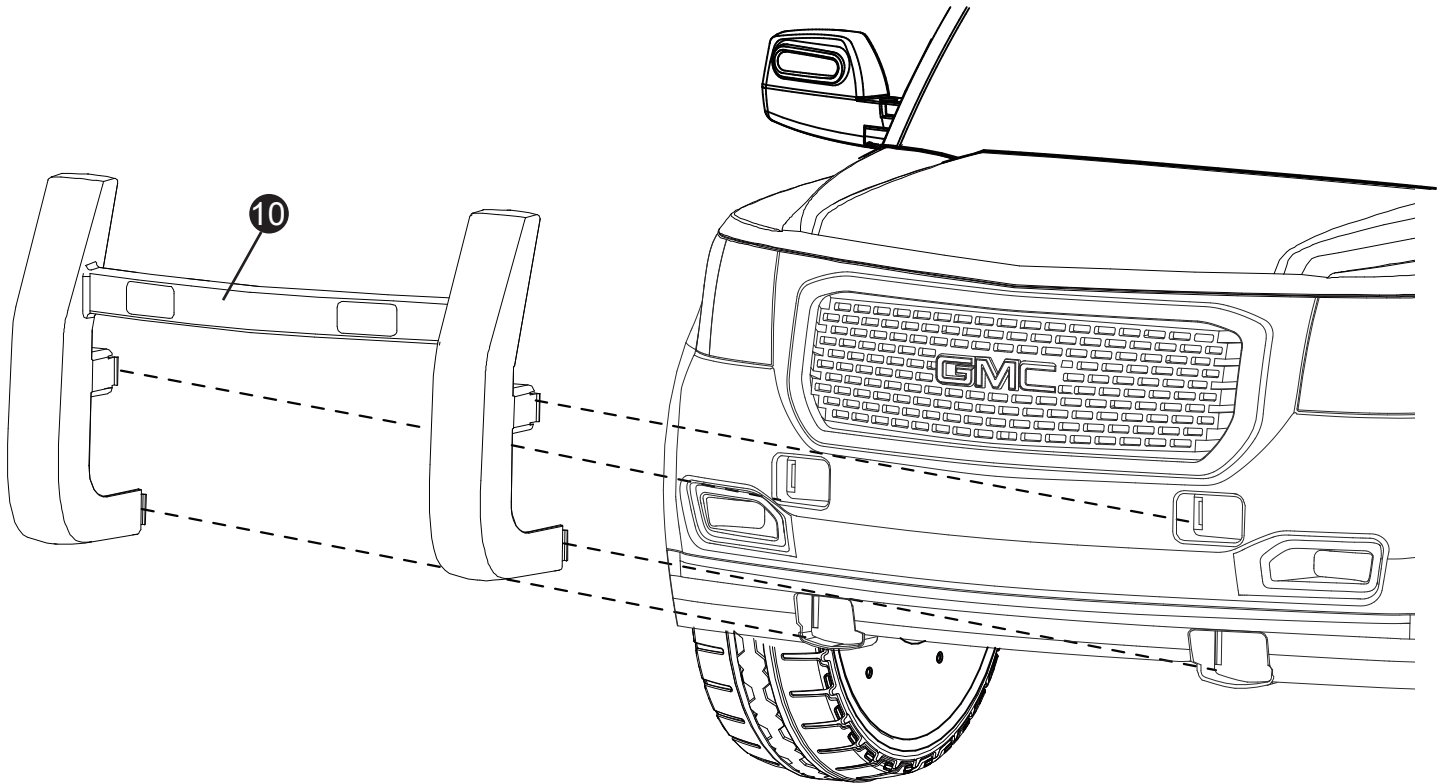


WARNING

- Do not mix old batteries with new batteries or batteries of different types.
- Do not mix alkaline, standard (carbon-zinc), or rechargeable (nickel-cadmium) batteries.

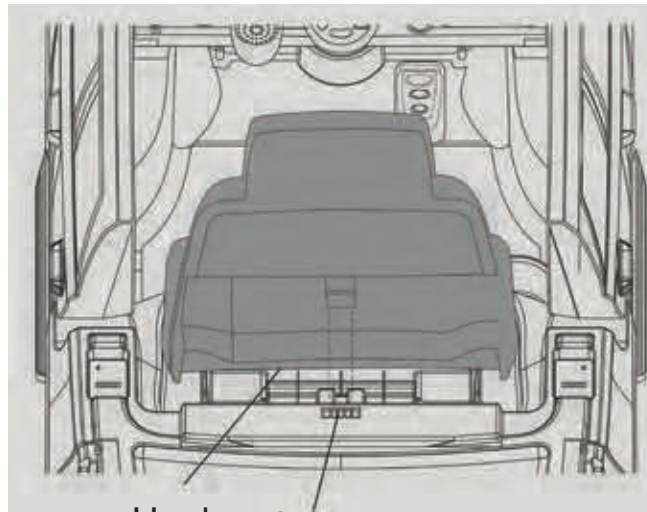
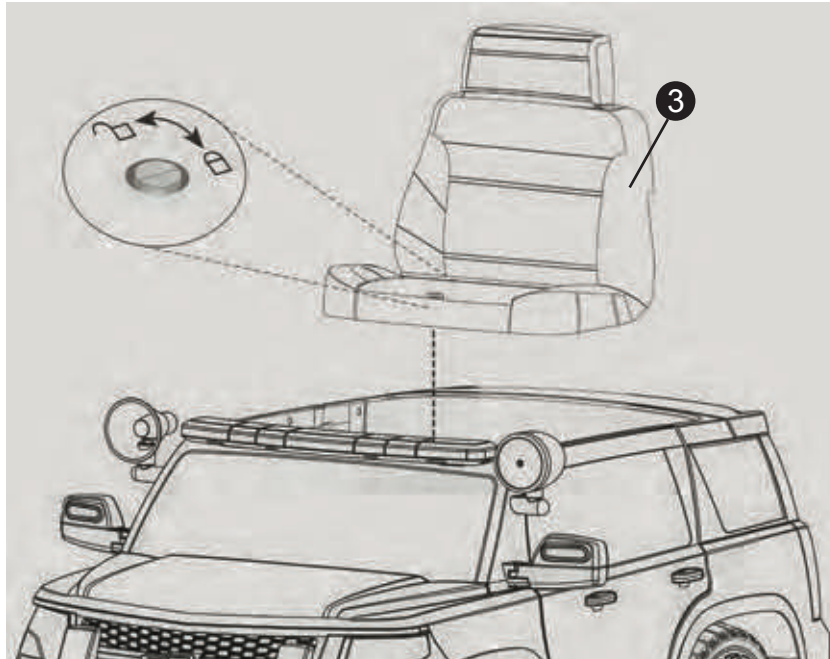
1. Use a Phillips head screwdriver to remove the screw on the battery compartment of the steering wheel (2).
2. Insert two AA batteries into the battery compartment (batteries not included).
3. Replace cover and use the screwdriver to fasten.
4. Locate the steering wheel screw (14.1) and steering wheel nut (14.2) from the blister box.
5. Slide the steering wheel onto the steering rod. (Note: ensure that the steering rod is pulled up through the dashboard all the way).
6. Align the holes on the steering wheel with the holes on the steering rod.
7. Slide the steering wheel screw through the left side of the steering wheel and steering rod.
8. Fasten the nut to the end of the screw and tighten the screw with a screwdriver.

Assemble the Front Bumper 15



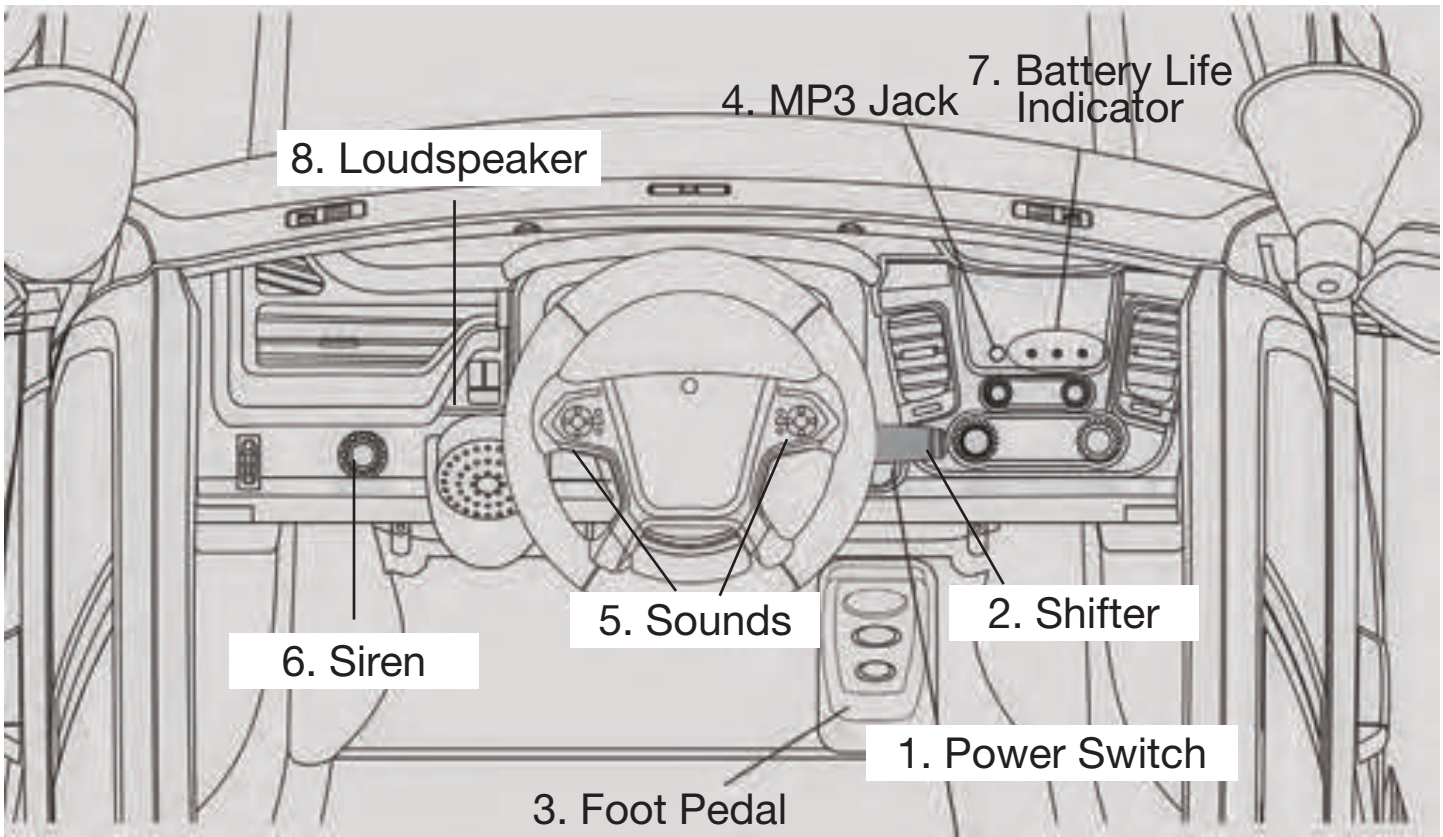
1. Locate the front bumper (10) in the packaging.
2. Align the top and bottom slots on the bumper with the four holes on the car body.
3. Slide the bumper into the holes until it snaps into place.

16 Assemble the Seat



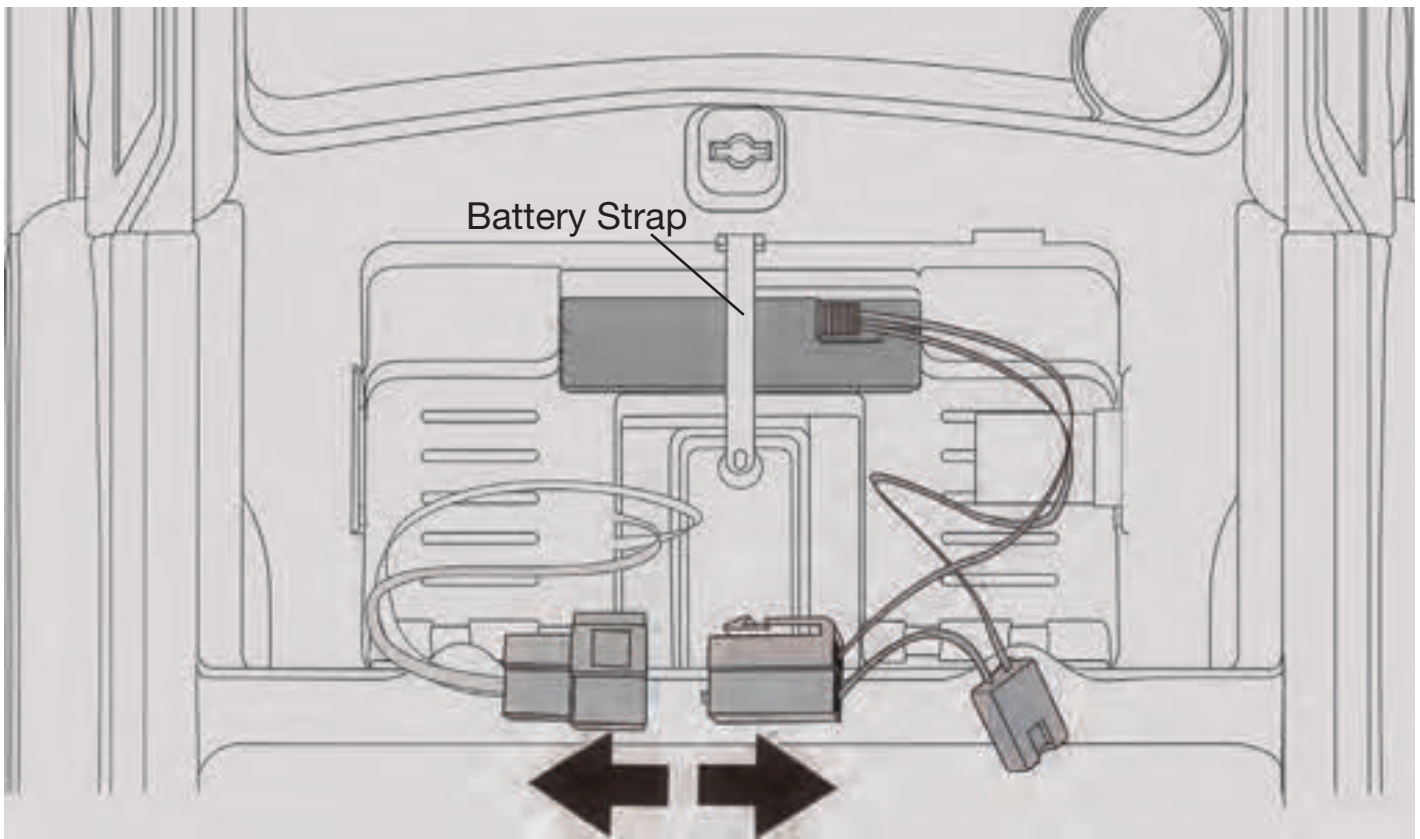
Hook Slot

1. Ensure the lock on the car seat (3) is in the unlock position.
2. Align the hook on the back of the car seat (3) with the holes on the back of the battery compartment.
3. Insert the hook into the holes and rotate the seat down into place.
4. Use a flat head screwdriver or a coin to turn the seat to the locked position.



1. Power: Push the red power button to turn on the car. The power light will turn on when the car is on. Press the power switch again to turn off the car.
2. Forward/Reverse: Push the shifter up to move forward. Pull the shifter down to go in reverse.
3. Foot Pedal: Press the foot pedal down to go. Release the foot pedal to stop. The headlights will turn on when the foot pedal is pressed.
4. MP3: Insert the MP3 cable (5) into the MP3 jack and connect to your device. The car must be turned on to use.
5. Sounds: Press the left and right steering wheel buttons for horn and engine sounds.
6. Siren and Emergency Lights: Press the siren button for siren sounds and emergency lights. Press the button to turn off the sounds and lights.
7. **Battery Life Indicator:** Green, Yellow, & Red Lights: Battery is fully charged. Yellow & Red Lights: Battery level is low. Red Light: Battery power is lower than 5.5V, and the battery must be recharged
8. Loudspeaker: Slide the microphone out of the holster. Press the yellow button on the left side and speak into the microphone.

Battery Removal



1. Unlock and remove the seat
2. Disconnect the red battery connector from the red engine connector
3. Loosen and remove the screw from the battery strap using a Phillips screwdriver
4. Slide the battery strap out from the battery strap slot
5. Remove the battery

Note: It is not necessary to remove the battery for charging. However, if the battery does not reach the outlet, then it can be removed for charging.

Important Battery and Charger Information

- Only an adult who has read and understands the safety warnings may handle and operate the battery and battery charger. Keep away from children.
- Charge the battery for 24 hours before using the vehicle for the first time.
- Recharge the battery immediately after each use. Charge for at least 8-12 hours, but no more than 20 hours.
- Charge the battery at least once a month, even if the vehicle is not used or stored.
- Never leave the battery in a discharged condition.
- Connect the terminal of the battery and charger, then plug the charger into a 120V AC outlet.
- It is normal for the charger to heat slightly. If the charger rises above 71°C / 160°F, disconnect the charger and call Customer Service for assistance.
- Keep the charger away from water or excessive moisture to prevent short-circuiting.
- Only use the charger specified with the original item. **Do not charge the battery with any other charger.**
- Do not attempt to recharge non-rechargeable batteries with the original charger.
- **Do not replace the battery with any other battery, or the warranty will be voided.** If you need a replacement battery, see Page 24 for replacement information.
- Remove damaged batteries from the car immediately. Recycle or dispose of the used batteries responsibly.
- Do not short circuit the supply terminals.
- Do not leave the battery connected in the vehicle for extended periods of time when the vehicle is not being used. Disconnect the battery connector from the engine connector before storing.
- The vehicle is equipped with a thermal fuse to protect the electric circuit. If the vehicle cuts out, turn the vehicle off and on to reset.

- Regularly inspect all vehicle parts to ensure they are in good working condition.
- Regularly inspect the charger, cord, plug, and other related parts for damage.
- Remove any damaged parts and immediately contact Customer Service for replacement parts. See Service information on Page 24.
- DO NOT operate the vehicle if there are any damaged parts.
- Carefully clean the vehicle with a damp cloth and mild soap. Do not get water in or near any electrical parts. Do not wash the vehicle with a hose.
- Store the vehicle indoors or use a tarp to cover it. Keep away from stoves, heaters, or other sources of heat.

Completely read through the manual and troubleshooting guide before contacting Customer Service.

Problem	Potential Cause	Solution
Vehicle does not run	Battery is low	Recharge the battery
	Thermal fuse tripped	Reset fuse
	Snap pins are loose	Tighten snap pins
	Loose wires or loose connectors	Ensure the battery connectors are securely attached. If wires are loose, contact Customer Service for repairs
	Battery is dead	Call Customer Service for replacement battery
	Electrical system is damaged	Call Customer Service for repairs
	Motor is damaged	Call Customer Service for repairs
Vehicle only runs for a short time	Undercharged battery	Ensure a secure connection when the battery is recharging. Recharge for at least 8-12 hours
	Overcharged battery	Never charge the battery for more than 30 hours
	Battery is old	Replace battery
Vehicle runs slowly	Battery is not fully charged	Ensure a secure connection when the battery is recharging
	Battery is old	Call Customer Service to order replacement battery
	Too much weight on vehicle	Reduce weight on vehicle 35 kg / 77 lbs
	Harsh conditions	Operate the vehicle on level ground and safe surfaces

Problem	Potential Cause	Solution
Vehicle needs a push to start	Loose wires or loose connectors	Ensure the battery connectors are securely attached. If wires are loose, contact Customer Service
	“Dead spot” on motor	A “dead spot” means electricity is not being delivered to the terminal. Contact Customer Service
Difficulty shifting	Attempting to shift while vehicle is moving	Stop the vehicle before shifting
Motor or gear box making grinding noises	Motor or gear damage	Contact Customer Service
Battery will not recharge	Charger is not plugged in	Plug in the charger to a functional wall outlet
	Charger is not working	Call Customer Service
	Loose connector or loose adapter	Check that the connectors are securely plugged in to each other
Battery makes bubbling noise while recharging	This is normal	No action required
Charger is warm	This is normal	No action required

This device complies with part 15 of the FCC Rules. Operation is subject to the following two conditions: (1) this device may not cause harmful interference, and (2) this device must accept any interference received, including interference that may cause undesired operation.

This equipment has been tested and found to comply with the limits for a Class B digital device, pursuant to Part 15 of the FCC Rules. These limits are designed to provide reasonable protection against harmful interference in a residential installation.

This equipment generates, uses and can radiate radio frequency energy and, if not installed and used in accordance with the instructions, may cause harmful interference to radio communications. However, there is no guarantee that interference will not occur in a particular installation. If this equipment does cause harmful interference to radio or television reception, which can be determined by turning the equipment off and on, the user is encouraged to try to correct the interference by one or more of the following measures:

- Reorient or relocate the receiving antenna.
- Increase the distance between the equipment and the receiver.
- Consult dealer or an experienced radio/TV technician for help.
- Connect the equipment into an outlet on a circuit different from that to which the receiver is connected.
- Check the state or local requirements for the product before using the product.

Caution: Changes or modifications not expressly approved by the party responsible for compliance could void the user's authority to operate the equipment.

Do not return this vehicle to the store.

If your product requires service, repairs or replacement parts, please contact Rollplay Customer Service.

Hours: 9 AM - 5 PM (CST), Monday - Friday

Phone: 1-888-982-9309

Email: customerservice@rollplay.net

Web: www.rollplay.net

For a list of available replacement parts, please visit www.rollplay.net.

WE WILL REQUIRE PROOF OF PURCHASE. Please save your sales receipt or register your product at www.rollplay.net.

Rollplay 6-Volt Limited Warranty

- One-year limited warranty from the date of purchase with proof of purchase from a Rollplay certified retailer.
- Six month limited warranty on the 6-Volt battery with proof of purchase from an Rollplay certified retailer.
- This one-year limited warranty covers the ride-on vehicle against defects in materials and workmanship to the original purchaser. **Proof of purchase receipt from a Rollplay certified reseller is required.**
- Rollplay ensures the original 6-Volt battery is warranted for 6 months from initial purchase of the vehicle from a certified retailer. Proof of purchase receipt required.
- This warranty covers normal use and does not cover the Rollplay vehicle or battery if deemed damaged by unreasonable use, modification, neglect, accident, abuse, misuse, improper service or other causes not arising out of defects in materials or workmanship. Evidence of any attempt at consumer repair will void this warranty.
- This warranty does not cover, and is not intended to exclude any liability on the part of Rollplay, whether under this warranty or implied by law for any indirect or consequential damages for breach of warranty. Some states may not allow the exclusion or limitation so this limitation may not apply to you.

Should you need service or assistance with your vehicle during the warranty period:

- Please do not return vehicle to the store.
 - Consult the troubleshooting guide in this manual and online at www.rollplay.net
- or
- Call Rollplay Customer Service at 1-888-982-9309

Note: This warranty gives you specific legal rights. You may also have other rights that may vary from state to state.

Please save your original sales receipt.

Fill out the form below and mail it to:

Rollplay Products.
1131 W Blackhawk St.
Second Floor
Chicago, IL 60642

OR fill out the form online at **www.rollplay.net**

We will use the information provided only for your warranty. We will not sell, rent or share your personal information.

Product Registration

First Name: _____ Last Name: _____ Title: _____

Address: _____

City: _____ State: _____ Zip Code: _____

Email: _____ Phone: _____

Date of Purchase: _____

The following product information is on the cover of the owner's manual.

Product Name: _____ Model Number: _____

Serial Number: _____ Retailer Place of Purchase: _____