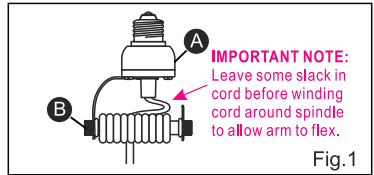


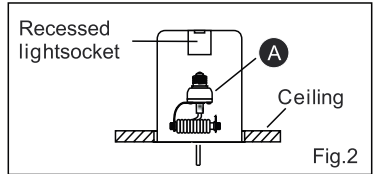
QUICK & EASY ASSEMBLY INSTRUCTIONS

1. Adjust excess cord by wrapping it around spindle bracket (B) just below the socket adapter (A). Position the last wrap so the cord will hang in the center of your recessed light fixture.

Note: When hanging multiple pendants, wrap cord identically to ensure level hanging.



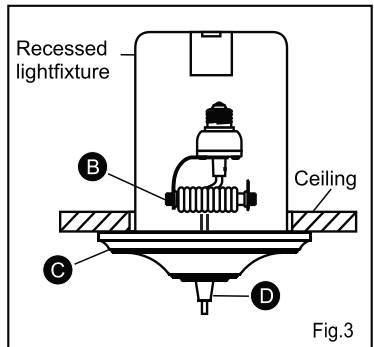
2. Screw the adapter (A) into the light bulb socket in your recessed light fixture.



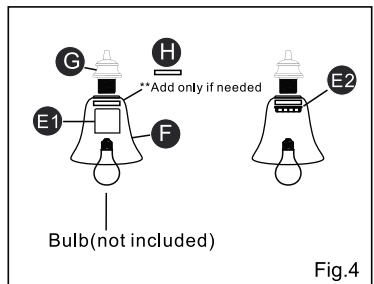
3. Use fingers to loosen compression nut (D) by turning it counterclockwise. To ensure a tight fit with the ceiling, gently pull down on the cord to flex the patented spring arm (B) downward while sliding the canopy (C) upwards tight to the ceiling. While still pulling down on the cord, tighten the compression nut (D), turning it clockwise and STOPPING when resistance is felt. Then let go of the cord and the spring arm will flex back up, pulling canopy in place.

Visit www.worthhp.com for instructional videos.

4. Attach shade (shade styles may vary) (F) to the lamp cup (G), with either regular socket ring (E2) or socket ring cover (E1). It is suggested to use (E1) with nonclearglass shade and E2 with clear glass shade for better aesthetics. After inserting shade into lamp cup (G), thread on the socket ring clockwise until tight. **Be sure to turn the socket ring evenly and level to avoid ring getting stuck on the threaded ceramic socket.** Do NOT force force socket ring if it gets stuck. Turn back to loosen it and start over.



**Spacer ring (H) is needed only if shade (F) cannot be secured tightly enough when using just the socket ring. Insert spacer first before threading socket ring on.



⚠ CAUTION: Do not over-tighten as it may result in breaking.



Custom Home

RENOVATION
STYLE

**THANK YOU FOR
YOUR PURCHASE**

Remodeling

innovativeHOME

Fine Homebuilding

WWW.WORTHHP.COM

(866)-384-9400



Home

