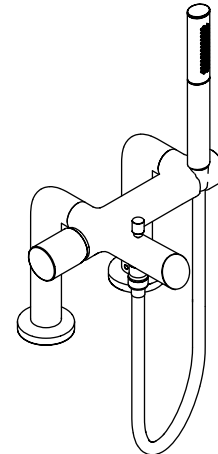


**ROMAN BATH FILLER
K-8973**

Features

- Metal construction
- Pull diverter
- Single-control cylinder handle
- Includes a handshower with an adjustable sprayface and a 60" (1524 mm) length hose
- Sprayface rotates to select wide-coverage or forceful utility spray
- For bath deck-mount installations
- Optional riser-mount installation when used with K-18492 riser tubes
- 8-13/16" (224 mm) spout reach (inlet to outlet)
- 7-7/16" (189 mm) height (base to outlet)
- Escutcheon plates
- Complements the Toobi™ Suite



Codes/Standards Applicable

Specified model meets or exceeds the following:

- ASME A112.18.1/CSA B125.1

Colors/Finishes

- CP: Polished Chrome
- Other: Refer to Price Book for additional colors/finishes

Accessories

- CP: Polished Chrome
- Other: Refer to Price Book for additional colors/finishes

Specified Model

Model	Description	Color/Finish	
K-8973-7	Roman bath filler	<input type="checkbox"/> CP	<input type="checkbox"/> Other _____
Optional Accessories			
K-7219	Cable drain	<input type="checkbox"/> CP	<input type="checkbox"/> Other _____
K-18492	Riser tubes for floor-mount installation	<input type="checkbox"/> CP	<input type="checkbox"/> Other _____

Product Specification

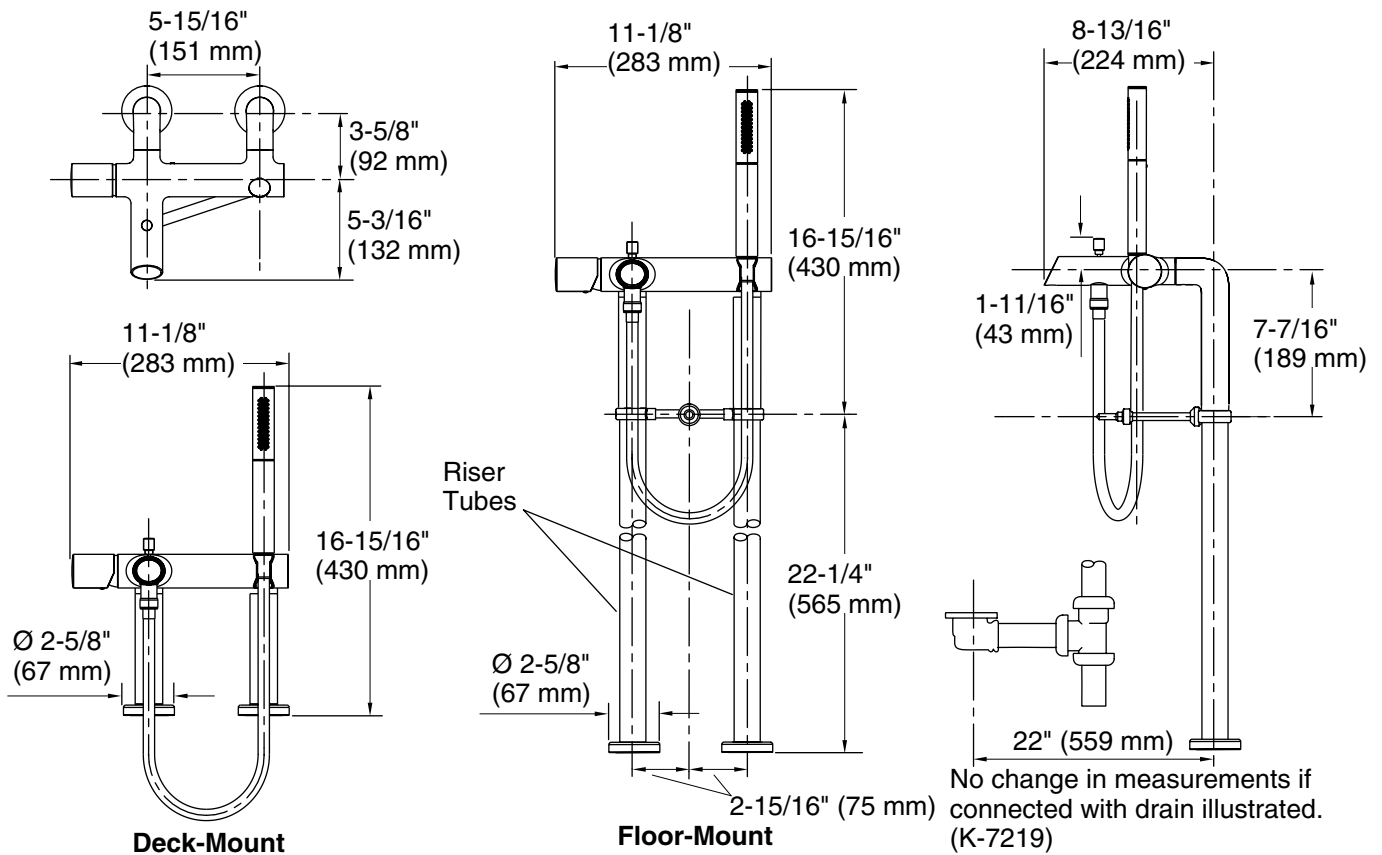
The Roman bath filler shall be made of metal construction. Product shall feature a pull diverter, and single-control cylinder handle. Product shall feature an 8-13/16" (224 mm) spout reach (inlet to outlet) and a 7-7/16" (189 mm) height (base to outlet). Product shall include escutcheon plates. Product shall include a handshower with adjustable sprayface and a 60" (1524 mm) length hose. Sprayface shall rotate to select wide-coverage or forceful utility spray. Product shall accommodate a bath deck-mount installation or an optional riser-mount installation when used with K-18492 riser tubes. Product shall complement the Toobi™ Suite. Product shall be Kohler Model K-8973-7-_____.

Installation Notes

Install this product according to the installation guide.

The distance from the centerline of the K-7219 bath drain to the riser tube centerline is 22" (569 mm).

Use 1/2" OD supply line inlets.



Product Diagram