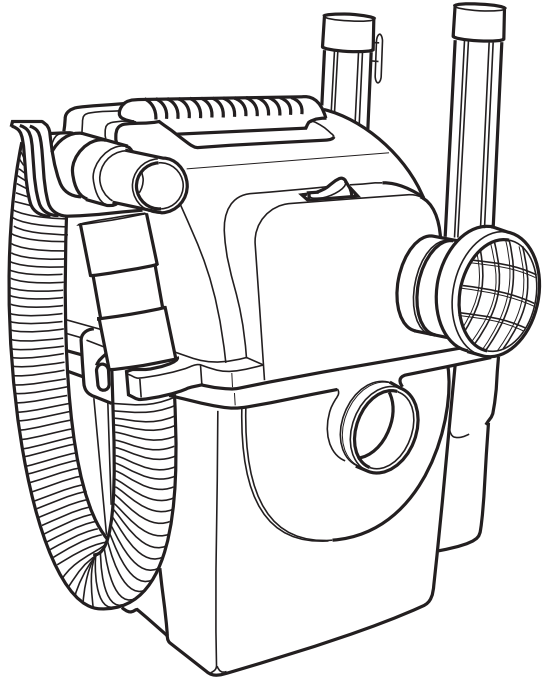




OWNER'S MANUAL

5 U.S. GALLON/15 LITER
STOR-N-GO WET/DRY VAC

WD55000



QUESTIONS OR INFORMATION CONTACT US AT
1-800-4-RIDGID (1-800-474-3443) from the US and Canada
01-800-701-9811 from Mexico
www.ridgidvacs.com

▲ WARNING:

To reduce the risk of injury, the user must read and understand the owner's manual before using this product.

Thank you for buying a RIDGID product.

• Español - página 21

SAVE THIS MANUAL FOR FUTURE REFERENCE

Table of Contents

Section	Page	Section	Page
Important Safety Instructions	2	Diffuser Cap Assembly.	12
Introduction	4	Operation.	13
Unpacking and Checking		Vacuating Dry Materials.	13
Carton Contents List	4	Vacuating Liquids	14
Filter Removal and Installation	5	Emptying the Vac Canister.	14
Storage Rack Assembly & Mounting.	6	Blowing Feature	15
Stor-N-Go Vac Assembly.	8	Maintenance	15
Hanging Vac on Storage Rack	9	Filter	15
Accessories	11	Cleaning & Disinfecting the	
Hose, Extension Wand & Cleaning		Wet/Dry Vac	16
Tool Storage	11	Repair Parts	18
Hoses	12	Warranty	20

IMPORTANT SAFETY INSTRUCTIONS

Safety is a combination of using common sense, staying alert, and knowing how your wet/dry vacuum cleaner (“Vac”) works.

Safety Signal Words

▲ DANGER: Indicates a hazardous situation which, if not avoided, **will** result in death or serious injury.

▲ WARNING: Indicates a hazardous situation which, if not avoided, **could** result in death or serious injury.

▲ CAUTION: Indicates a hazardous situation which, if not avoided, **could** result in minor or moderate injury.

When using your Vac, always follow basic safety precautions including the following:

▲ WARNING

- To reduce the risk of fire, electric shock, or injury:

- Read and understand this manual and all labels on the Vac before operating.
- Use only as described in this manual.
- Do not leave Vac running while unattended - you may fail to notice important signs indicating abnormal operation such as loss of suction, debris/liquid exiting exhaust, or abnormal motor noises. Immediately stop using Vac if you notice these signs.
- Do not leave Vac when plugged in. Unplug from outlet when not in use and before servicing.

- Sparks inside the motor can ignite flammable vapors or dust. To reduce the risk of fire or explosion, do not use near combustible liquids, gases, or dusts, such as gasoline or other fuels, lighter fluid, cleaners, oil-based paints, natural gas, coal dust, magnesium dust, grain dust, aluminum dust, or gun powder.
- Do not vacuum anything that is burning or smoking, such as cigarettes, matches, or hot ashes.
- Do not vacuum drywall dust, cold fireplace ash, or other fine dusts with standard filter. These may pass through the filter and be exhausted back into the air. Use a fine dust filter instead.
- To reduce the risk of inhaling toxic vapors, do not vacuum or use near toxic or hazardous materials.
- To reduce the risk of electric shock, do not expose to rain or allow liquid to enter motor compartment. Store indoors.
- Do not allow to be used as a toy. Close attention is necessary when used by or near children.
- Do not use with a torn filter or without filter installed except when vacuuming liquids as described in this manual. Dry debris ingested by the impeller may damage the motor or be exhausted into the air.
- Turn off Vac before unplugging.
- To reduce the risk of injury from accidental starting, unplug power cord before changing or cleaning filter.
- Do not unplug by pulling on cord. To

unplug, grasp the plug, not the cord.

- Do not use with damaged cord, plug or other parts. If your Vac is not working as it should, has missing parts, has been dropped, damaged, left outdoors, or dropped into water, call customer service.
- Do not pull or carry by cord, use cord as handle, close a door on cord, or pull cord around sharp edges or corners. Keep cord away from heated surfaces.
- Do not handle plug, switch, or the Vac with wet hands.
- This Vac is double-insulated, eliminating the need for a separate grounding system. Use only identical replacement parts. Read the instructions for Servicing Double-Insulated Wet/Dry Vacs.
- Use only extension cords that are rated for outdoor use. Extension cords in poor condition or too small in wire size can pose fire and shock hazards. To reduce the risk of these hazards, be sure the cord is in good condition and that liquid does not contact the connection. Do not use an extension cord with conductors smaller than 16 gauge (AWG) in size. To reduce power loss, use a 14 gauge extension cord if 25 to 50 ft. long and 12 gauge for 50 ft. or longer
- Do not put any object into ventilation openings. Do not vacuum with any ventilation openings blocked; keep free of dust, lint, hair or anything that may reduce air flow.
- Keep hair, loose clothing, fingers, and all parts of body away from openings and moving parts.
- To reduce the risk of falls, use extra care when cleaning on stairs.
- To reduce the risk of back injury or falls, do not lift a Vac that is heavy with liquid or debris. Partially empty by scooping debris or draining liquid.
- To reduce the risk of personal injury or damage to Vac, use only Ridgid recommended accessories.
- Do not mount storage rack over 5 feet from the ground.
- Do not attach screws to drywall only. Make sure screws are attached to studs on 16 inch centers.
- Do not sit or hang on storage rack.
- Do not exceed maximum weight limit of

40 pounds on storage rack.

- When using as a blower:
 - Direct air discharge only at work area.
 - Do not direct air at bystanders.
 - Keep children away when blowing.
 - Do not use blower for any job except blowing dirt and debris.
 - Do not use as a sprayer.
 - Wear safety eyewear.
- To reduce the risk of eye injury, wear safety eyewear. The operation of any utility Vac or blower can result in foreign objects being blown into the eyes, which can result in severe eye damage.

▲ CAUTION:

- To reduce the risk of hearing damage, wear ear protectors when using for extended time or in a noisy area.
- For dusty operations, wear dust mask.
- Static shocks are common when the relative humidity of the air is low. Vacuuming fine debris with your Vac can deposit static charge on the hose or Vac. To reduce the frequency of static shocks in your home or when using this Vac, add moisture to the air with a humidifier.

Observe the following warnings that appear on the motor housing of your Vac:

 **DOUBLE INSULATED
GROUNDING NOT REQUIRED.
WHEN SERVICING USE ONLY
IDENTICAL REPLACEMENT PARTS.**

▲ WARNING: For your own safety, read and understand owner's manual. Do not run unattended. Do not pick up hot ashes, coals, toxic, flammable or other hazardous materials. Do not use around explosive liquids or vapors.

▲ WARNING: To reduce the risk of electric shock - do not expose to rain - store indoors.

SAVE THIS MANUAL

Introduction

This Stor-N-Go Vac is intended for household use only. It may be used for light vacuuming of wet or dry media and may be used as a blower. The light weight design allows usage for most small

household vacuuming chores. Familiarize yourself with the following product and features and read the entire owner's manual for specific usage of your new Wet/Dry Vac.

Unpacking and Checking Carton Contents

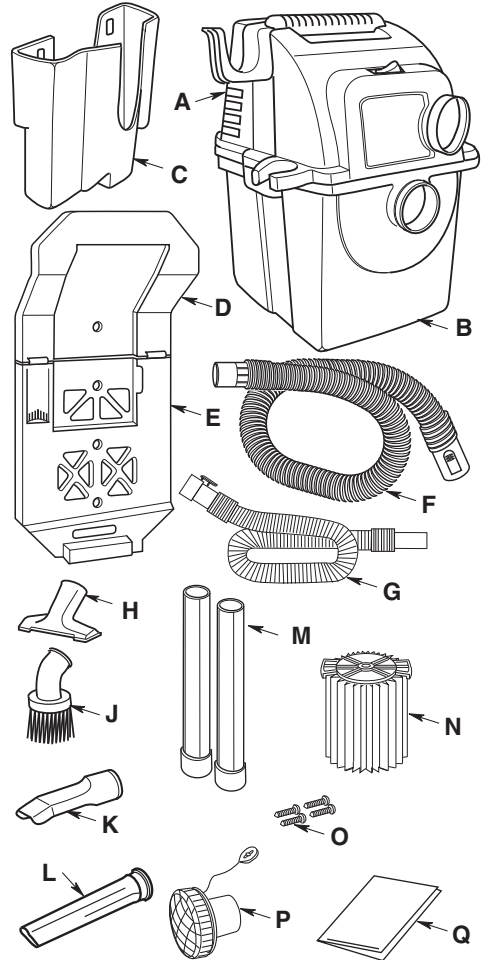
Remove contents of carton. Check each item against the Carton Contents List. Contact 1-800-4-RIDGID from the US or Canada. Contact 01-800-701-9811 from Mexico. Email us at info@ridgidvac.com if any parts are damaged or missing.

Carton Contents List

Key Description	Qty.
A Vac Motor Assembly	1
B Vac Canister	1
C Accessory Storage Bin	1
D† Storage Upper Rack	1
E† Storage Lower Rack	1
F 14 Foot Tug-A-Long Hose Assembly	1
G 7 Foot Super Flex Hose Assembly	1
H Utility Nozzle	1
J Dusting Brush	1
K Car Nozzle	1
L Crevice Tool	1
M Extension Wands	2
N* Qwik Lock™ Filter	1
O #10 x 1-3/4 Wood Screws	4
P Diffuser	1
Q Owner's Manual	1

† When assembled, the Storage Rack will hold the maximum weight of 40 pounds.

* These items may come preassembled. If they are not present in the carton check the Vac power head to see if they are preassembled.



Filter Removal and Installation

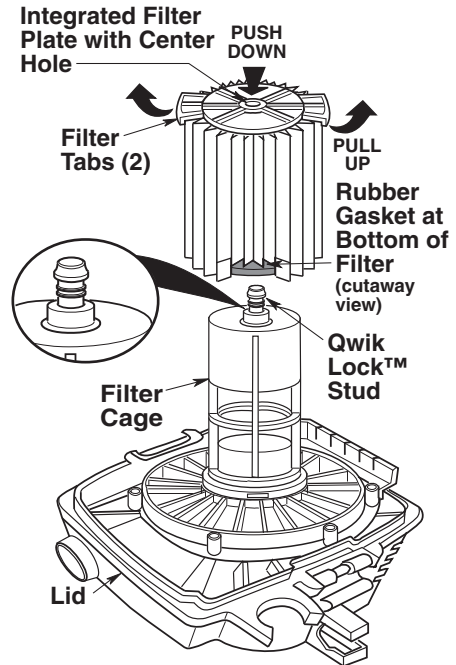
Removal and Installation of Qwik Lock™ Filter

Filter Removal:

1. Hold the filter tabs of the Qwik Lock™ filter in each hand.
2. With one thumb on the Qwik Lock™ stud, which protrudes through the integrated filter plate, lift up on the filter tabs while pushing down on the stud.
3. This action will cause the filter to release from the filter cage. Slide filter off cage.

Filter Installation:

1. Carefully slide the Qwik Lock™ filter over the filter cage and press down on the outside edge of the filter until the rubber gasket on the bottom of the filter seats securely around the base of the filter cage and against the lid.
2. Align the small center hole in the top of the filter over the Qwik Lock™ stud on the filter cage. Press firmly on top of the filter near the stud to allow the filter to snap over the ball on the end of the stud. The filter is now attached.

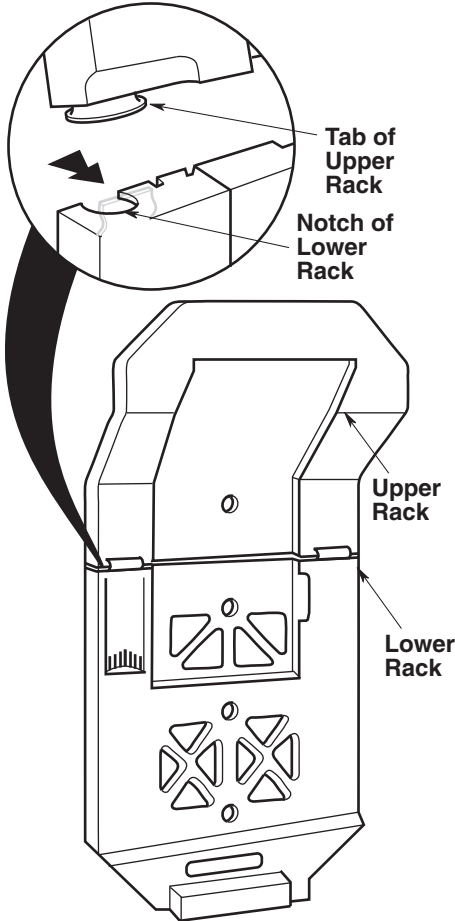


NOTE: Failure to properly seat the bottom gasket could result in debris bypassing the filter.

Storage Rack Assembly & Mounting

Assembling Upper and Lower Rack

Align the tabs in the upper rack with notches in lower rack. Slide upper rack forward until the hooks on the lower rack engages the bottom flange of the upper rack. You will hear an audible click when the locks engage.

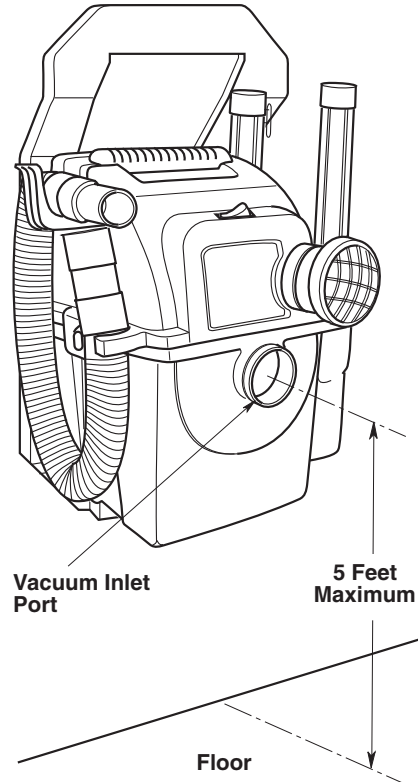


Mounting Storage Rack to Wall

⚠ WARNING: To reduce the risk of injury:

- Do not mount storage rack over 5 feet from the ground.
- Do not attach screws to drywall only.
- Do not sit or hang on storage rack.
- Do not exceed maximum weight limit of 40 pounds on storage rack.

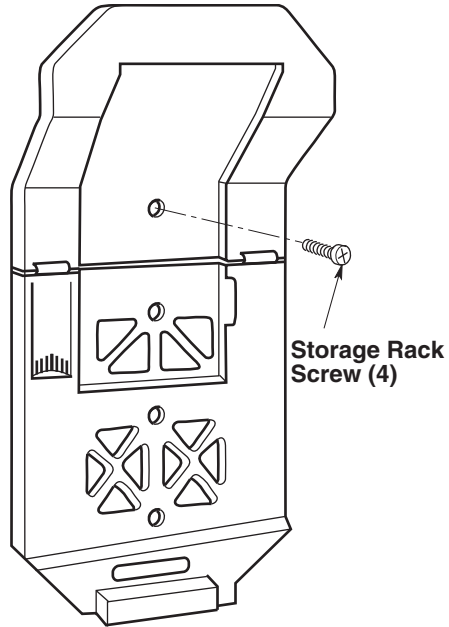
1. Choose a location that is indoors and not exposed to rain. For best performance and easy access, position the storage rack so the center of the vacuum inlet port is no more than five feet from floor and no more than eighteen feet from an electrical outlet.



Storage Rack Assembly & Mounting (cont.) —

2. Locate wall stud and position the storage rack so that all four screw holes are over the stud. Level the rack and mark the hole locations. Drill a 1/8 inch diameter pilot hole at each location. Attach the storage rack to wall studs using the four screws provided. Make sure all four screws are driven securely into the wall stud.
3. If the desired location does not align with a wall stud or the studs are exposed, a 1/2 inch thick plywood panel wide enough to span at least two studs, must be attached to the studs with the four screws provided. The storage rack may then be attached to the plywood panel with four 1 inch #10 pan or round head wood screws (not provided).

NOTE: Supplied wood screws are intended for mounting to typical wall construction consisting of 5/8 inch drywall or less.

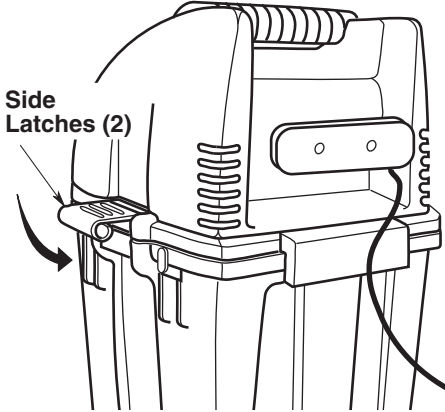


⚠ CAUTION: To prevent plywood, Storage Rack, or Wet/Dry Vac from falling, make sure you have selected the proper length of fastener for the secure mounting of storage rack to the wall.

Stor-N-Go Vac Assembly

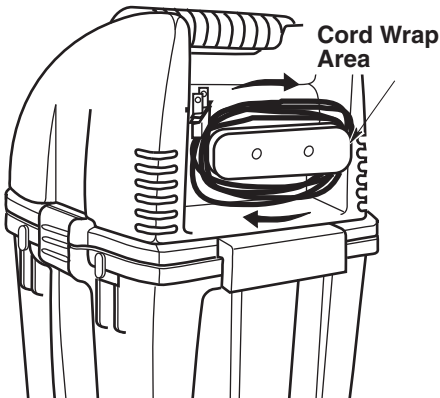
Vac Assembly

Place Vac motor assembly onto Vac canister assembly and secure with the two side latches.



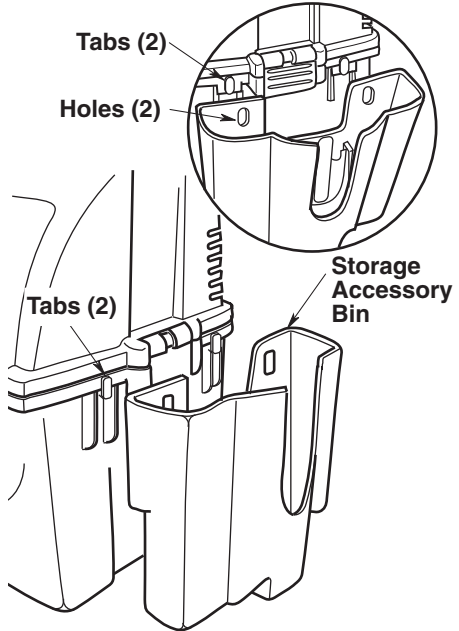
Cord Wrap Storage

Wind the electrical cord clockwise (from the rear) around the cord wrap area on back of Vac motor assembly.



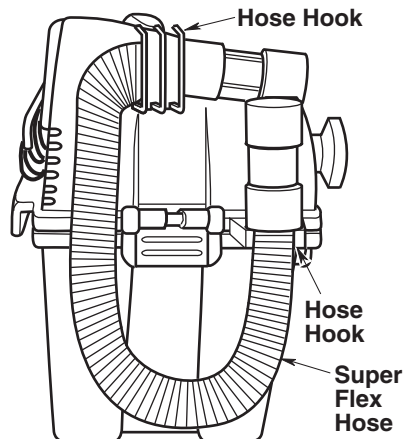
Accessory Storage Bin

Attach the Accessory Storage Bin to the Vac assembly by inserting the tabs on the Vac canister through the holes in the storage bin and lowering the bin into place.



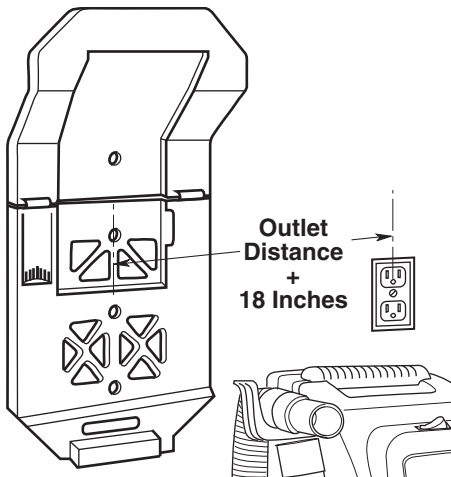
Hose Storage

Slide each end of the Super Flex Hose into the appropriate hose hooks located on the Vac motor assembly.

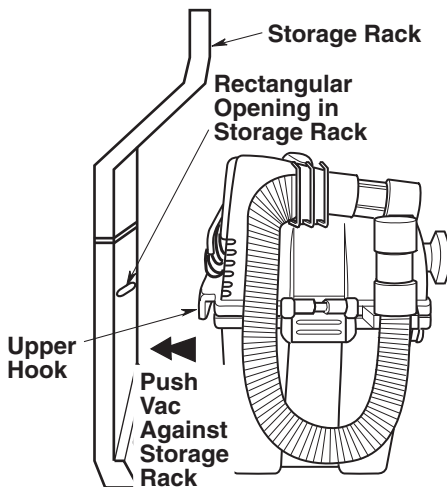
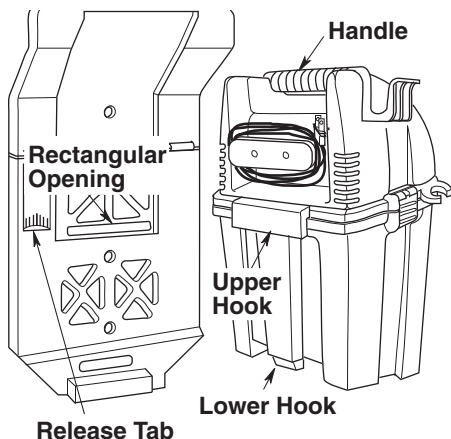


Hanging Vac on Storage Rack

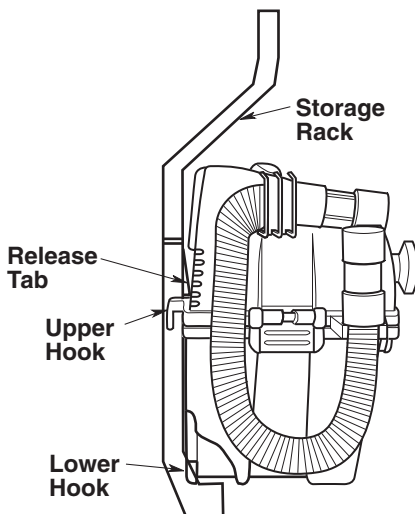
1. Set the Vac on the floor near the storage rack. Measure the distance from center of storage rack to the closest electrical outlet and add 18 inches.



2. Uncoil that amount of power cord from the cord wrap. Drape the loose cord over the top of the vacuum and down the front.
3. Grasp the handle with one hand and the bottom of the Vac canister at the front with the other hand. Always lift the Vac with both hands. Lift the Vac up to the storage rack.
4. Align the upper hook on the Vac with the rectangular opening in the storage rack. Push the Vac against the storage rack.



5. Lower the Vac until the upper hook and lower hook are engaged and the bottom of the Vac canister rests on the rack. The release tab will pop out over the flange on the motor assembly.



6. Snap the power cord into the cord retainer in the front surface of the rack. The cord may exit on either the left or right side. Plug the power cord into the electrical outlet. Do not fasten power cord to wall in any way.

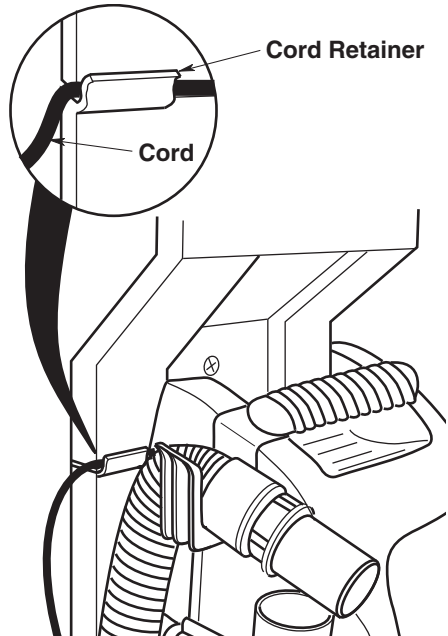
Hanging Vac on Storage Rack (cont.)

Cord Storage

When your Stor-N-Go Wet/Dry Vac is not in use, it should be unplugged from the outlet. Excess cord should be wrapped over the hose storage rack. Several loops may be required to eliminate any tripping hazard created by a loosely hanging cord.

Removing Vac from Storage Rack

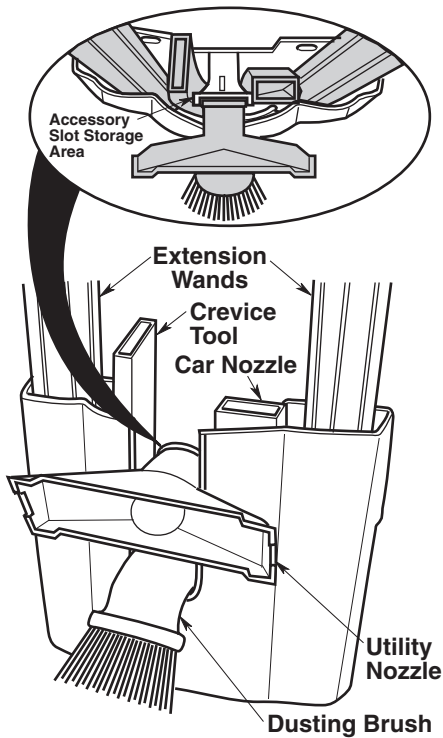
1. Unplug the power cord from the electrical outlet. Remove the cord from the cord retainer. Drape the loose cord over the top of the Vac.
2. With your right hand, grasp the carry handle.
3. With your left hand depress the release tab located on the left side of the storage rack.
4. Lift up on the handle, and pull the Vac and out of the storage rack.



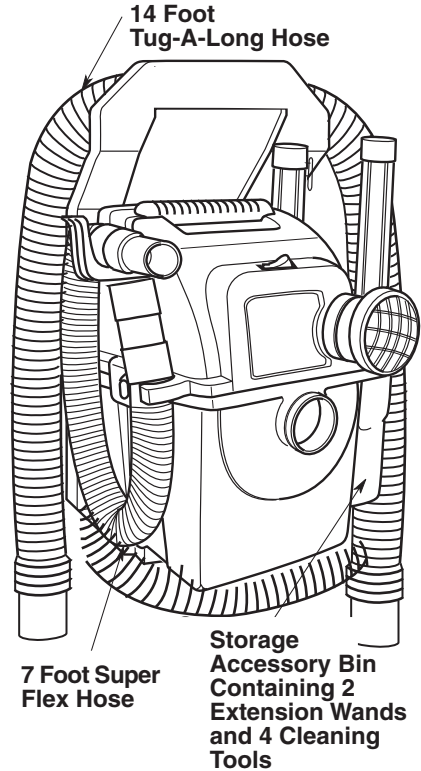
Accessories

Hose, Extension Wand, and Cleaning Tool Storage

1. Slide the extension wands at the far sides of the Accessory Storage Bin located on the right side of the Stor-N-Go Vac. Slide the car nozzle and the crevice tool next to the extension wands in the storage bin. Position the dusting brush horizontal and slide it into the storage bin's accessory slot. It is necessary to place the dusting brush into the accessory slot first, as the utility nozzle will not fit in this position. Last, place the utility nozzle flush against the accessory slot storage area and slide down into storage position. The storage bin accommodates both extension wands and the four cleaning tools.



2. Insert the 7 foot Super Flex Hose ends into the hooks on the left side of the Stor-N-Go Vac, as shown below.
3. Form a double loop with the 14 foot Tug-A-Long Hose and hang on hose storage hook at the top of the rack.



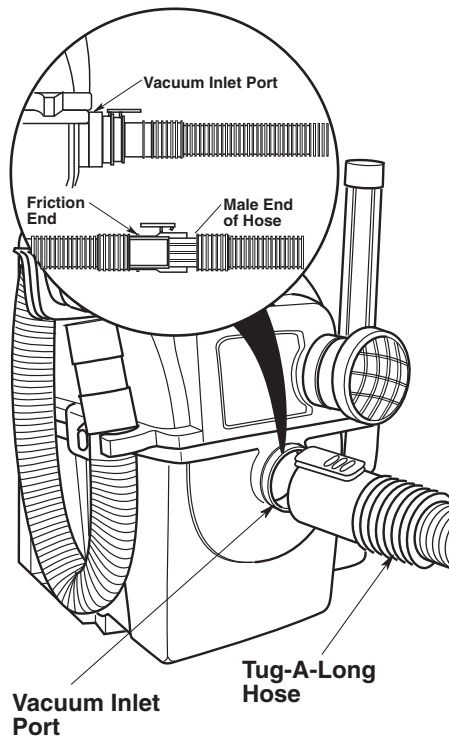
Accessories (cont.)

Hoses (14 Foot Tug-A-Long & 7 Foot Super Flex)

The 14 Foot Tug-A-Long Hose and the 7 Foot Super Flex Hose have an adaptor that can be used to connect the hose to the vacuum port on the Vac or to the male end of another hose. Both 7 foot and 14 foot hoses can be used connected together or independently from one another.

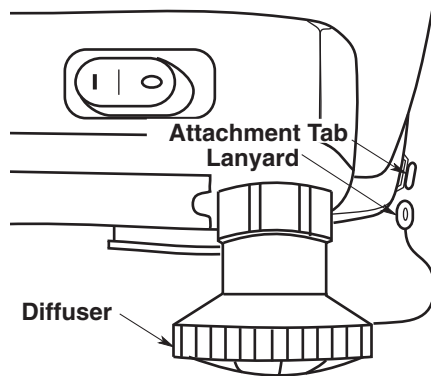
Both the 7 foot and 14 foot hoses have a locking adaptor at one end that will connect to the Vac, and a friction fit at the other end, which will connect to all the 1-7/8 inch accessories or a second hose.

To connect these two hoses together, first connect the 14 foot hose to the wet/dry Vac. Next connect the 7 foot hose to the 14 foot hose by inserting the friction end of the longer hose into the larger locking end of the shorter hose. This will create a friction connection.



Diffuser Cap Assembly

Connect the lanyard to the attachment tab on the Vac motor assembly to keep the diffuser attached to Vac when using the blower port. The diffuser cap can be used in the exhaust port of the Wet/Dry Vac. Installing the diffuser cap will allow you to diffuse the exhaust air in any direction and reduce the intensity of the exhaust force.



Operation

▲ WARNING: To reduce the risk of fire, explosion, or damage to Vac:

- Do not leave Vac running while unattended - you may fail to notice important signs indicating abnormal operation such as loss of suction, debris/liquid exiting the exhaust, or abnormal motor noises. Immediately stop using Vac if you notice these signs.
- Do not leave Vac plugged in when not in use.
- Do not continue running when float has cut off suction.
- Sparks inside the motor can ignite airborne flammables. Do not operate Vac near flammable liquids or in areas with flammable gases, vapors, or explosive/airborne dust. Flammable liquids, gases, and vapors include: lighter fluid, solvent-type cleaners, oil-based paints, gasoline, alcohol, and aerosol sprays. Explosive dusts include: coal, magnesium, aluminum, grain, and gun powder.
- Do not vacuum up explosive dusts, flammable liquids, or hot ashes.

▲ WARNING: To reduce the risk of electric shock or injury:

- Do not expose to rain or allow liquid to enter motor compartment. Store indoors.
- Do not handle plug, switch, or Vac with wet hands.
- Unplug Vac before servicing. If your Vac is not working as it should, has missing parts, has been dropped, damaged, left outdoors, or dropped into water, return it to an independent service center or call customer service.
- When using an extension cord, use only outdoor-rated cords that are in good condition. Do not allow the connection to come into contact with liquid.

To reduce the risk of electric shock, this Vac has a polarized plug (one blade is wider than the other). This plug will fit in a polarized outlet only one way. If the plug does not fit fully in the outlet, reverse the plug. If it still does not fit, contact a qualified electrician to install the proper outlet. Do not change the plug in any way.

After you plug the power cord into the outlet, turn the unit on by pushing the switch from position "O" to position "I". The symbols used on the switch actuator are international "On & Off" symbols.

○ = OFF | = ON

Vacuuming Dry Materials

1. The filter must be properly installed to avoid leaks and possible damage to Vac.
2. If you are picking up fine dust, it will be necessary to empty the drum and clean the filter more frequently to maintain peak Vac performance.

NOTE: A dry filter is necessary to pick up dry material. If you use your Vac to pick up dust when the filter is wet, the filter will clog quickly and be very difficult to clean.

Operation (continued)

Vacuumping Liquids

1. When picking up small amounts of liquid the filter may be left in place.
2. When picking up large amounts of liquid, we recommend that the filter be removed. If the filter is not removed, it will become saturated and misting may appear in the exhaust.

▲ WARNING: Do not operate without filter cage and float, as they prevent liquid from entering the impeller and damaging the motor.

3. When picking up large amounts of liquid, it is recommended that you remove the Vac from the storage rack and place it on the floor. When full of water the Vac will weigh approximately 40 pounds and may be difficult to remove from the storage rack. Always empty Vac and dry filter immediately after picking up liquids.
4. After using the Vac to pick up liquids, the filter must be dried to reduce the risk of possible mildew and damage to the filter.
5. When the liquid in the Vac canister reaches a predetermined level, the float mechanism will rise automatically to cut off airflow. When this happens, turn off the Vac, unplug the power cord, and empty the Vac canister. You will know that the float has risen because Vac airflow ceases and the motor noise will become higher in pitch, due to increased motor speed.

IMPORTANT: To reduce the risk of damage to the Vac do not run motor with float in raised position.

Emptying the Vac Canister

▲ WARNING: To reduce the risk of injury from accidental starting, unplug power cord before emptying the Vac canister.

1. With the vacuum removed from the storage rack (see Removing Vac from Storage Rack section), remove the Vac motor assembly from the Vac canister assembly.
2. Lay Vac motor assembly upside down on a clean area while emptying Vac canister.
3. Dump the Vac canister contents into the proper waste disposal container.

Operation (continued)

Blowing Feature

Your Wet/Dry Vac has the capability to be used as a blower for yard work, patio cleanup and workshop applications to blow sawdust and other debris.

▲ WARNING: Always wear safety eyewear complying with ANSI Z87.1 (or in Canada, CSA Z94.3) before using as a Blower.

▲ WARNING: To reduce the risk of injury to bystanders, keep them clear of blowing debris.

▲ CAUTION: Wear a dust mask if blowing creates dust which might be inhaled.

▲ CAUTION: To reduce the risk of hearing damage, wear ear protectors when using the Vac/Blower for extended hours or when using in a noisy area.

1. Locate blowing port of your Vac.
2. Insert the Tug-A-Long end of hose into the blowing port of the Vac.
3. (Optional) Attach extension wand to swivel end of hose, then place the car nozzle on the wand.
4. Turn Vac on and you are ready to use your Vac as a blower.

Maintenance

Filter

NOTE: This filter is made of high quality paper designed to stop very small particles of dust. The filter can be used for wet or dry pick up. Handle the filter carefully when removing to clean or installing it. Creases in the filter pleats may occur from installation but creases will not affect the performance of the filter.

Filter Removal

Refer to page 5 "Filter Removal and Installation" Section of this manual.

Filter Cleaning

Your filter should be cleaned often to maintain peak Vac performance.

Be sure to dry the filter before storing or picking up dry debris.

IMPORTANT: After cleaning, check the filter for tears or small holes. Do not use a filter with holes or tears in it. Even a small hole can cause a lot of dust to come out of your Vac. Replace it immediately.

Cleaning A Dry Filter

1. For best cleaning results due to accumulated dust, clean the filter in an open area. Cleaning SHOULD be done outdoors and not in the living quarters.
2. After filter removal from Vac, remove the dry debris by gently tapping the filter against the inside wall of your dust drum. The debris will loosen and fall.
3. For thorough cleaning of dry filter with fine dust (no debris), run water through it as described under "Cleaning A Wet Filter".

Cleaning A Wet Filter

After filter is removed, run water through the filter from a hose or spigot. Take care that water pressure from the hose is not strong enough to damage filter.

Installation

Refer to page 5 "Filter Removal and Installation" Section of this manual.

Allow the filter to dry before storing the Vac.

Maintenance (continued)

Cleaning and Disinfecting the Wet/Dry Vac

To keep your Wet/Dry Vac looking its best, clean the outside with a cloth dampened with warm water and mild soap.

To clean the drum:

1. Dump debris out.
2. Wash drum thoroughly with warm water and mild soap.
3. Wipe out with dry cloth.

Before prolonged storage or as needed (i.e.; waste water pick up) the drum should be disinfected.

To disinfect the drum:

1. Pour 1 gallon of water and 1 teaspoon chlorine bleach into the drum.
2. Let solution stand for 20 minutes, carefully swishing every few minutes, making sure to wet all inside surfaces of the drum.
3. Empty drum after 20 minutes. Rinse with water until bleach smell is gone. Allow drum to dry completely before sealing the motor on the drum.

Stor-N-Go Vac Cleaning

To keep your Wet/Dry Stor-N-Go Vac looking its best, clean the outside with a cloth dampened with warm water and mild soap.

To clean the Vac canister:

1. Dump debris out.
2. Wash Vac canister thoroughly with warm water and mild soap.
3. Wipe out with dry cloth.

▲ WARNING: To assure product SAFETY and RELIABILITY, repairs and adjustments should be performed by Independent Service Centers, always using RIDGID replacement parts.



Notes _____

Lined area for notes with horizontal lines.



Repair Parts

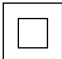
RIDGID 5 Gallon STOR-N-GO Wet/Dry Vac Model Number WD55000

RIDGID parts are available on-line at www.ridgidparts.com

Always order by Part Number - Not by Key Number

WARNING

SERVICING OF DOUBLE-INSULATED WET/DRY VAC

In a double-insulated Wet/Dry Vac, two systems of insulation are provided instead of grounding. No grounding means is provided on a double-insulated appliance, nor should a means for grounding be added. Servicing a double-insulated Wet/Dry Vac requires extreme care and knowledge of the system, and should be done only by qualified service personnel. Replacement parts for a double-insulated Wet/Dry Vac must be identical to the parts they replace. Your double-insulated Wet/Dry Vac is marked with the words "DOUBLE INSULATED" and the symbol  (square within a square) may also be marked on the appliance.

To reduce the risk of injury from electrical shock, unplug power cord before servicing the electrical parts of the Wet/Dry Vac.

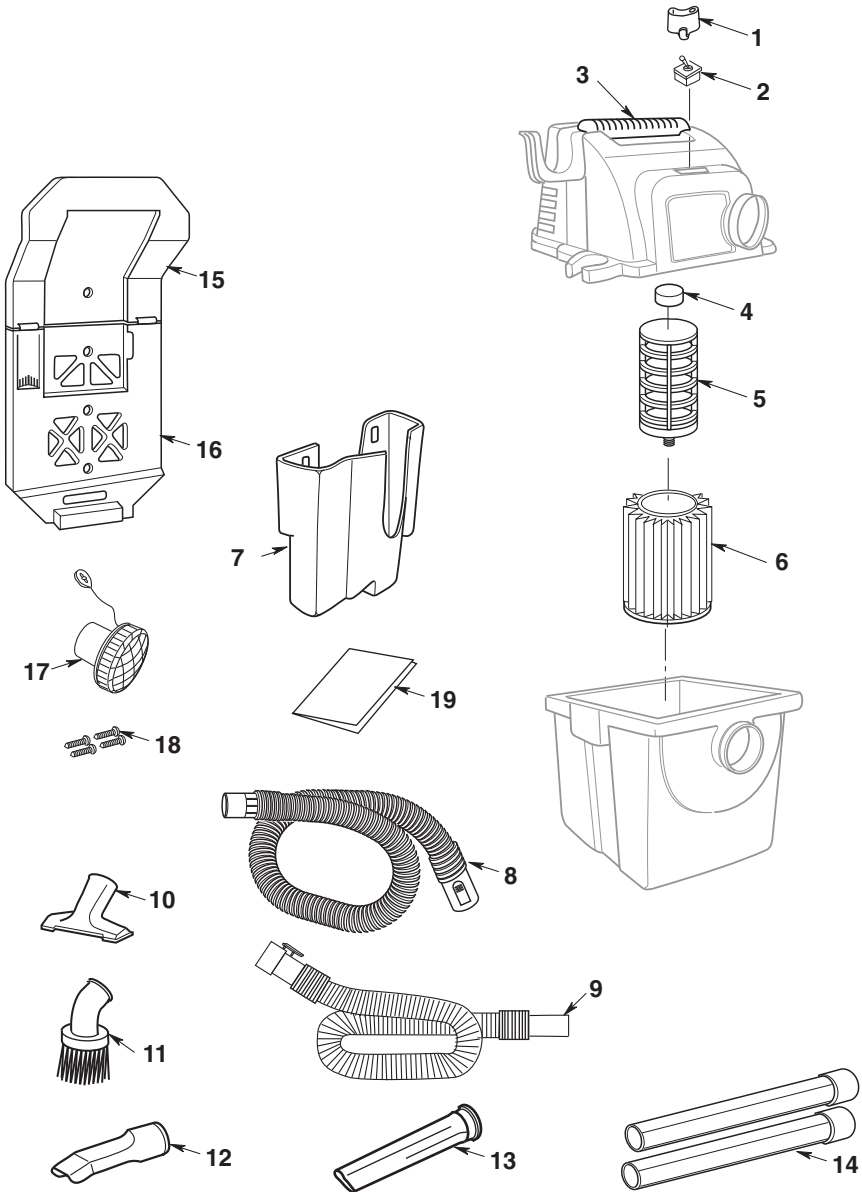
Key No.	Part No.	Description
1	830564	Actuator, Switch
2	813213	Switch, Toggle
3	831111-1	Handle, Carry
4	509488	Float
5	823201-3	Filter Cage
6	VF4000	† Qwik Lock™ Filter
7	831115-1	Accessory Storage Bin
8	830673	14 Foot Tug-A-Long Hose
9	831327	7 Foot Super Flex Hose
10	VT1709	† Utility Nozzle
11	VT1701	† Dusting Brush
12	VT1781	† Car Nozzle
13	VT1702	† Crevice Tool
14	VT1708	† Extension, Wands
15	831114	Storage Upper Rack
16	831113	Storage Lower Rack
17	830675-1	Diffuser
18	820563-12	* #10 - 1-3/4 Wood Screws
19	SP6755	Owner's Manual

* Standard Hardware Item - May Be Purchased Locally.

† These Replacement Parts Are Available Where You Purchased Your Vac.

Repair Parts (continued)

RIDGID 5 Gallon STOR-N-GO Wet/Dry Vac Model Number WD55000



RIDGID®



- **What is covered**

RIDGID® Wet/Dry Vac's are warranted to be free of defects in workmanship and material.

- **How long coverage lasts**

This warranty lasts for the lifetime of the RIDGID® Wet/Dry Vac.

- **How to obtain service**

To obtain the benefit of this warranty, deliver via prepaid transportation the complete product to RIDGE TOOL COMPANY, Elyria, Ohio, or any authorized RIDGID® INDEPENDENT SERVICE CENTER. Pipe wrenches and other hand tools should be returned to the place of purchase.

- **What we will do to correct problems**

Warranted Wet/Dry Vac's will be repaired or replaced, at Ridge Tool Company's option, and returned at no charge; or, if after three attempts to repair or replace during the warranty period the Wet/Dry Vac is still defective, you can elect to receive a full refund of your purchase price.

- **What is not covered**

Failures due to misuse, abuse or normal wear and tear are not covered by this warranty. **RIDGE TOOL COMPANY SHALL NOT BE RESPONSIBLE FOR ANY INCIDENTAL OR CONSEQUENTIAL DAMAGES.**

- **How local laws relate to the warranty**

Some states do not allow the exclusion or limitation of incidental or consequential damages, so the above limitation or exclusion may not apply to you. This warranty gives you specific rights, and you may also have other rights which vary from state to state, province to province, or country to country.

- **No other express warranty applies**

This FULL LIFETIME WARRANTY is the sole and exclusive warranty for RIDGID® Wet/Dry Vac's. No employee, agent, dealer, or other person is authorized to alter this warranty or make any other warranty on behalf of Ridge Tool Company.

Stock No. WD5500

Model No. WD55000

Serial Number _____

Model and serial numbers may be found on the back of the motor cover.

You should record both model and serial numbers in a safe place for future use.

QUESTIONS OR INFORMATION CONTACT US AT

1-800-4-RIDGID (1-800-474-3443) from the US and Canada

01-800-701-9811 from Mexico

www.ridgidvac.com

Please have your Model Number and Serial Number on hand when calling.



EMERSON™

Commercial & Residential Solutions

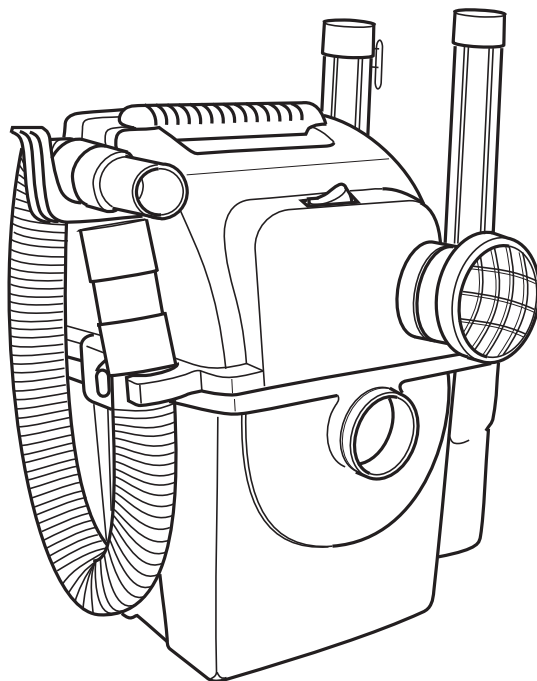
© 2012 Emerson

RIDGID[®]

MANUAL DEL USUARIO

ASPIRADORA PARA SECO/MOJADO STOR-N-GO DE 5 GALONES EE.UU./15 LITROS

WD55000



¿PREGUNTAS O COMENTARIOS? COMUNÍQUESE CON NOSOTROS EN
1-800-4-RIDGID (1-800-474-3443) desde los EE.UU. y Canadá
01-800-701-9811 desde México
www.ridgidvac.com

▲ ADVERTENCIA:

Para reducir el riesgo de lesiones, el usuario debe leer y entender el manual del usuario antes de utilizar este producto.

Gracias por comprar un producto RIDGID.

GUARDE ESTE MANUAL PARA REFERENCIA FUTURA

No. de pieza SP6755

Impreso en México

Índice

Sección	Página	Sección	Página
Instrucciones de seguridad importantes	20	Mangueras	32
Introducción	22	Ensamblaje de la tapa del difusor	32
Desempaquetado y comprobación del contenido de la caja de cartón	22	Funcionamiento	33
Remoción e instalación del filtro	24	Recogida de materiales secos con la aspiradora	33
Ensamblaje y montaje del bastidor de almacenamiento	26	Recogida de líquidos con la aspiradora	34
Ensamblaje de la aspiradora Stor-N-Go	28	Vaciado del recipiente de la aspiradora	34
Suspensión de la aspiradora en el bastidor de almacenamiento	29	Dispositivo de soplado	35
Accesorios	31	Mantenimiento	35
Almacenamiento de las mangueras, los tubos extensores y las herramientas limpiadoras	31	Filtro	35
		Limpieza y desinfección de la aspiradora para mojado/seco	36
		Piezas de repuesto	38
		Garantía	40

INSTRUCCIONES DE SEGURIDAD IMPORTANTES

La seguridad es una combinación de sentido común, permanecer alerta y saber cómo funciona la aspiradora para mojado/seco ("la aspiradora").

Palabras de señal de seguridad

▲ **PELIGRO:** indica una situación peligrosa que, si no se evita, **causará** la muerte o lesiones graves.

▲ **ADVERTENCIA:** indica una situación peligrosa que, si no se evita, **podría causar** la muerte o lesiones graves.

▲ **PRECAUCIÓN:** indica una situación peligrosa que, si no se evita, **podría causar** lesiones leves o moderadas

Cuando utilice la aspiradora, siga siempre las precauciones básicas de seguridad, incluyendo las siguientes:

▲ **ADVERTENCIA** – Para reducir el riesgo de incendio, sacudidas eléctricas o lesiones:

- Lea y entienda este manual del usuario y todas las etiquetas que están colocadas en la aspiradora para mojado/seco antes de utilizarla.
- Utilice la aspiradora únicamente de la manera que se describe en este manual.
- No deje la aspiradora en marcha mientras esté desatendida. Usted podría no notar señales importantes que indiquen un funcionamiento anormal, tal como pérdida de succión, residuos o líquido que salen por el escape o ruidos anormales del motor. Deje de usar la aspiradora inmediatamente si observa estas señales.
- No abandone la aspiradora cuando esté enchufada. Desenchúfela del tomacorriente cuando no la esté utilizando y antes de realizar servicio de revisión.
- Las chispas que se producen en el interior del motor pueden incendiar los vapores inflamables o el polvo. Para reducir el riesgo de incendio o explosión: No use la aspiradora cerca de líquidos, gases, o polvos combustibles como gasolina u

otros combustibles, líquido encendedor, limpiadores, pinturas a base de aceite, gas natural, hidrógeno, polvo de carbón, polvo de magnesio, polvo de aluminio, polvo de granos de cereal o pólvora.

- No recoja con la aspiradora nada que esté ardiendo o humeando, como cigarrillos, fósforos o cenizas calientes.
- No recoja con la aspiradora polvo de panel de yeso ni hollín frío o ceniza fría de chimenea con un filtro estándar. Estos materiales pueden pasar por el filtro y ser expulsados de vuelta al aire. Utilice un filtro para polvo fino en lugar de un filtro estándar.
- Para reducir el riesgo de que se produzcan peligros para la salud causados por vapores o polvo, no recoja con la aspiradora materiales tóxicos.
- Para reducir el riesgo de descargas eléctricas, no exponga la aspiradora a la lluvia ni deje que entren líquidos en el compartimiento del motor. Guarde la aspiradora en un lugar interior.
- No permita que la aspiradora se utilice como un juguete. Se necesita prestar máxima atención cuando sea utilizada por niños o cerca de éstos.
- No use la aspiradora con un filtro desgarrado o sin tener el filtro instalado, excepto cuando recoja con ella líquidos de la manera que se describe en este manual. Los residuos secos absorbidos por el impulsor podrían dañar el motor o ser expulsados de vuelta al aire.
- Apague la aspiradora antes de desenchufarla.
- Para reducir el riesgo de lesiones debidas a un arranque accidental, desenchufe el cordón de energía antes de cambiar o limpiar el filtro.
- No desenchufe la aspiradora tirando del cordón. Para desenchufarla, agarre el enchufe y no el cordón.
- No use la aspiradora con el cordón dañado, el enchufe dañado u otras piezas dañadas. Si la aspiradora no funciona como debe, le faltan piezas, se ha caído, ha sido dañada, se ha dejado a la intemperie o se ha caído al agua, llame a servicio al cliente.

- No tire de la aspiradora usando el cordón ni la lleve por el cordón, ni use el cordón como asa, ni cierre una puerta sobre el cordón, ni tire del cordón alrededor de bordes o esquinas afilados. No pase la aspiradora en marcha sobre el cordón. Mantenga el cordón alejado de las superficies calientes.
- No maneje el enchufe, el interruptor o la aspiradora con las manos mojadas.
- Esta aspiradora tiene aislamiento doble, lo cual elimina la necesidad de un sistema independiente de conexión a tierra. Utilice únicamente piezas de repuesto idénticas. Lea las instrucciones de servicio de revisión de las aspiradoras para mojado/seco con aislamiento doble.
- Utilice únicamente cordones de extensión que tengan capacidad nominal para uso a la intemperie. Los cordones de extensión que estén en malas condiciones o tengan un tamaño de alambre demasiado pequeño pueden crear peligros de incendio y descargas eléctricas. Para reducir el riesgo de estos peligros, asegúrese de que el cordón esté en buenas condiciones y que el líquido no entre en contacto con la conexión. No utilice un cordón de extensión que tenga conductores con un diámetro menor al calibre 16 (AWG). Para reducir la pérdida de potencia, utilice un cordón de extensión de calibre 14 si la longitud es de 25 a 50 pies, y de calibre 12 si la longitud es de 50 pies o más.
- No ponga ningún objeto en las aberturas de ventilación. No recoja nada con la aspiradora cuando cualquiera de las aberturas de ventilación esté bloqueada; mantenga dichas aberturas libres de polvo, pelusa, pelo o cualquier cosa que pueda reducir el flujo de aire.
- Mantenga el pelo, la ropa holgada, los dedos y todas las partes del cuerpo alejados de las aberturas y de las piezas móviles.
- Para reducir el riesgo de caídas, tenga cuidado adicional al limpiar en escaleras.
- Para reducir el riesgo de lesiones de espalda o caídas, no levante una aspiradora que pese mucho debido a que contiene líquido o residuos. Saque parte del contenido de la aspiradora o drénela parcialmente.
- Para reducir el riesgo de lesiones corporales o daños a la aspiradora, utilice únicamente accesorios recomendados por Ridgid.
- No monte el bastidor de almacenamiento a más de 5 pies por encima del piso.
- No sujete los tornillos a pared de tipo seco solamente. Asegúrese de que los tornillos estén sujetos a postes de pared en centros a 16 pulgadas.
- No se siente en el bastidor de almacenamiento ni se cuelgue de él.
- No exceda el límite de peso máximo de 40 libras en el bastidor.
- Cuando utilice la aspiradora como soplador :
 - Dirija la descarga de aire solamente hacia el área de trabajo.
 - No dirija el aire hacia las personas que estén presentes.
 - Mantenga alejados a los niños durante la operación de soplado.
 - No utilice el soplador para trabajos que no sean soplar suciedad y residuos.
 - No use la aspiradora como rociador.
 - Use protección ocular de seguridad.
- Para reducir el riesgo de lesiones en los ojos, use protección ocular de seguridad. La utilización de cualquier aspiradora utilitaria o soplador utilitario puede hacer que se soplen objetos extraños hacia los ojos, lo cual puede causar daños graves en los ojos.

▲ PRECAUCIÓN:

- Para reducir el riesgo de daños a la audición, use protectores de oídos cuando utilice la aspiradora durante muchas horas seguidas o cuando la emplee en un área ruidosa.
- Para operaciones que generan polvo, use una máscara antipolvo.
- Las descargas de estática son comunes cuando la humedad relativa del aire es baja. Si recoge residuos finos con la aspiradora, se puede depositar carga estática en la manguera o en la aspiradora. El mejor remedio para reducir la frecuencia de las descargas de estática en su casa o cuando use esta aspiradora es añadir humedad al aire con un humidificador.

Siga las siguientes advertencias que aparecen en la caja del motor de la aspiradora.



AISLAMIENTO DOBLE. NO SE REQUIERE CONEXION A TIERRA.

CUANDO HAGA SERVICIO DE REVISIÓN DE LA ASPIRADORA, UTILICE ÚNICAMENTE PIEZAS DE REPUESTO IDÉNTICAS.

▲ ADVERTENCIA: Para su propia seguridad, lea y entienda el manual del operador. No tenga en marcha la aspiradora desatendida. No recoja cenizas calientes, carbón caliente, materiales tóxicos ni inflamables ni otros materiales peligrosos. No use la aspiradora alrededor de líquidos o vapores explosivos.

▲ ADVERTENCIA: Para reducir el riesgo de sacudidas eléctricas, no exponga la aspiradora a la lluvia y almacénela en interiores.

GUARDE ESTE MANUAL

Introducción

Esta aspiradora Stor-N-Go está diseñada para uso doméstico solamente. Se puede utilizar para la recogida ligera de medios mojados o secos y también puede utilizarse como soplador. El diseño liviano permite la utilización para realizar la mayoría

de las tareas domésticas de aspiración pequeñas. Familiarícese con las siguientes características del producto y lea todo el manual del usuario para obtener instrucciones sobre la utilización específica de su nueva aspiradora para mojado/seco.

Desempaquetado y comprobación del contenido de la caja de cartón

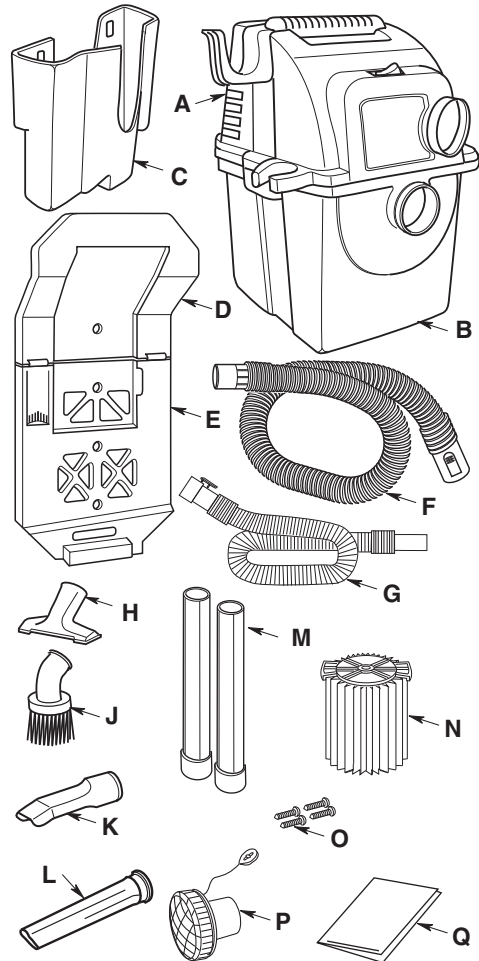
Saque todo el contenido de la caja de cartón. Asegúrese de que no falte ningún artículo utilizando la lista del contenido de la caja. Llame al 1-800-4-RIDGID (1-800-474-3443) desde los EE.UU. o Canadá, y al 01-800-701-9811 desde México, o envíenos un correo electrónico a info@ridgidvac.com si cualquier pieza está dañada o falta.

Lista del contenido de la caja de cartón

A	Ensamblaje del motor de la aspiradora	1
B	Recipiente de la aspiradora	1
C	Receptáculo de almacenamiento de portaaccesorios	1
D†	Bastidor superior de almacenamiento	1
E†	Bastidor inferior de almacenamiento	1
F	Ensamblaje de manguera arrastrable Tug-A-Long de 14 pies	1
G	Ensamblaje de manguera Super Flex de 7 pies	1
H	Boquilla utilitaria	1
J	Cepillo para polvo	1
K	Boquilla para auto	1
L	Boquilla rinconera	1
M	Tubos extensores	2
N*	Filtro Qwik Lock™	1
O	Tornillos para madera No. 10 x 1-3/4	4
P	Difusor	1
Q	Manual del usuario	1

† Cuando esté ensamblado, el bastidor de almacenamiento soportará el peso máximo de 40 libras.

* Estos artículos pueden venir preensamblados. Si no están presentes en la caja de cartón, compruebe el cabezal del motor de la aspiradora para ver si están preensamblados.



Remoción e instalación del filtro

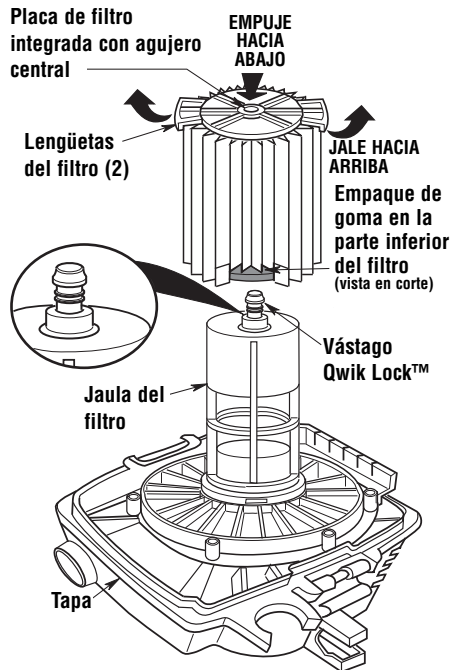
Remoción e instalación del filtro Qwik Lock™

Remoción del filtro:

1. Sostenga las lengüetas del filtro Qwik Lock™ en cada mano.
2. Con un dedo pulgar en el vástago Qwik Lock™, que sobresale a través de la placa del filtro integrada, levante las lengüetas del filtro a la vez que empuja hacia abajo sobre el vástago.
3. Esta acción hará que el filtro se suelte de la jaula del filtro. Deslice el filtro hasta retirarlo de la jaula.

Instalación del filtro:

1. Deslice cuidadosamente el filtro Qwik Lock™ sobre la jaula del filtro y presione hacia abajo sobre el borde exterior del filtro hasta que el empaque de goma ubicado en la parte inferior del filtro se asiente firmemente alrededor de la base de la jaula del filtro y contra la tapa.
2. Alinee el agujero central pequeño ubicado en la parte superior del filtro sobre el vástago Qwik Lock™ ubicado en la jaula del filtro. Presione firmemente sobre la parte de arriba del filtro cerca del vástago, para permitir que el filtro se acople a presión sobre la bola ubicada en el extremo del vástago. Una vez hecho esto, el filtro estará instalado.

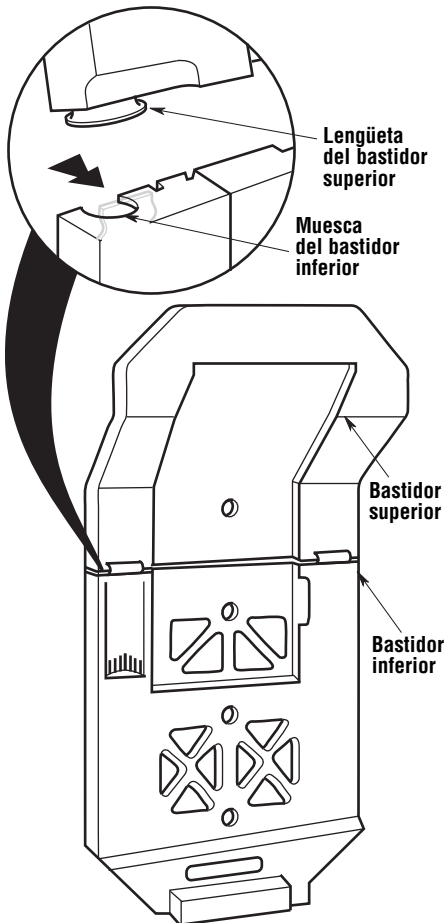


NOTA: Si no se asienta apropiadamente el empaque inferior, el resultado podría ser que los residuos rodeen el filtro.

Ensamblaje y montaje del bastidor de almacenamiento

Ensamblaje del bastidor superior e inferior

Alinee las lengüetas del bastidor superior con las muescas del bastidor inferior. Deslice el bastidor superior hacia delante hasta que los ganchos ubicados en el bastidor inferior se acoplen en la pestaña inferior del bastidor superior. Usted oír un clic audible cuando los cierres se acoplen.

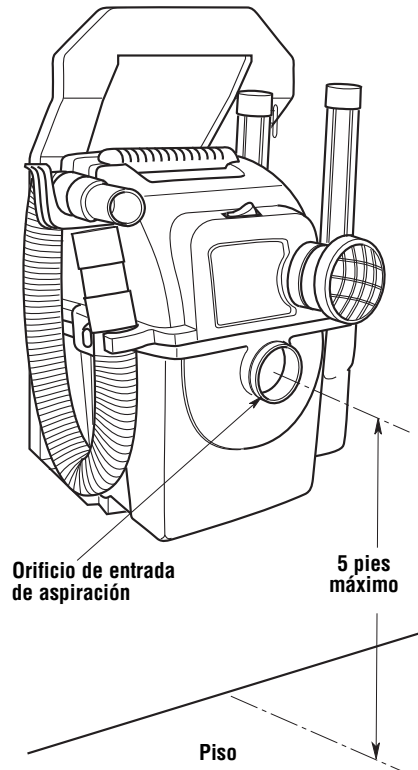


Montaje del bastidor de almacenamiento en la pared

⚠ ADVERTENCIA: Para reducir el riesgo de lesiones

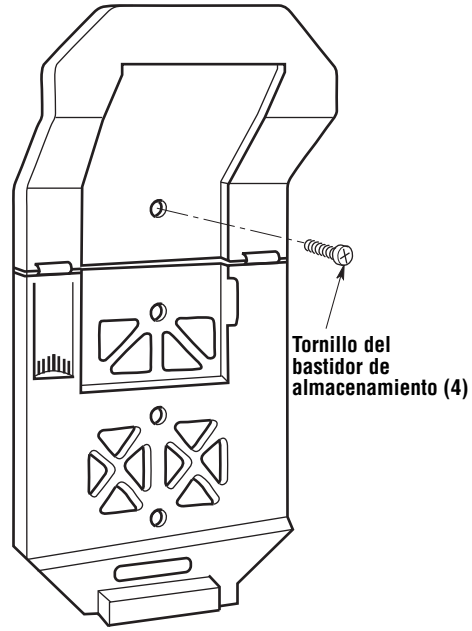
- No monte el bastidor a más de 5 pies de altura sobre el piso.
- No sujete los tornillos a pared de tipo seco solamente.
- No se sienta en el bastidor de almacenamiento ni se cuelgue de él.
- No exceda el límite de peso máximo de 40 libras sobre el bastidor de almacenamiento.

1. Elija una ubicación que esté en el interior y no esté expuesta a la lluvia. Para obtener el mejor rendimiento y facilitar el acceso, posicione el bastidor de almacenamiento de manera que el centro del orificio de entrada de la aspiradora no esté a más de cinco pies por encima del piso y a no más de 18 pies del tomacorriente.



Ensamblaje y montaje del bastidor de almacenamiento (continuación)

- Localice un montante de pared y posicione el bastidor de almacenamiento de manera que los cuatro tornillos estén sobre el montante. Nivele el bastidor y marque las ubicaciones de los agujeros. Taladre un agujero piloto de 1/8 de pulgada de diámetro en cada ubicación. Sujete el bastidor de almacenamiento a los montantes de pared utilizando los cuatro tornillos suministrados. Asegúrese de que los cuatro tornillos se aprieten firmemente en los postes de pared.
- Si la ubicación deseada no se alinea con un montante de pared o si los montantes están al descubierto, un panel de madera contrachapada de 1/2 pulgada de grosor, lo suficientemente ancho como para abarcar por lo menos dos montantes, se debe sujetar a los montantes con los cuatro tornillos suministrados. El bastidor de almacenamiento se podrá sujetar entonces al panel de madera contrachapada con cuatro tornillos para madera de cabeza troncocónica o redonda No. 10 de 1 pulgada (no suministrados).



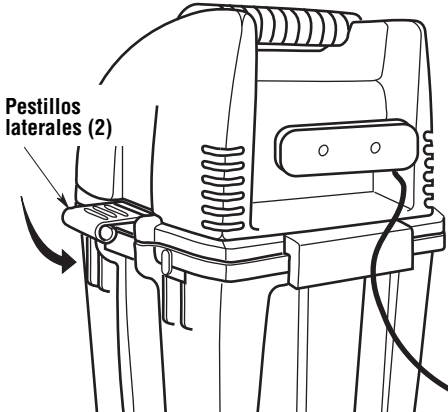
NOTA: Los tornillos para madera suministrados están diseñados para realizar montajes en construcción de pared típica que consiste en panel de yeso de 5/8 de pulgada o menos.

⚠ PRECAUCIÓN: Para evitar que la madera contrachapada, el bastidor de almacenamiento o la aspiradora para mojado/seco se caigan, asegúrese de haber seleccionado el elemento de sujeción de longitud apropiada para montar firmemente el bastidor de almacenamiento en la pared.

Ensamblaje de la aspiradora Stor-N-Go

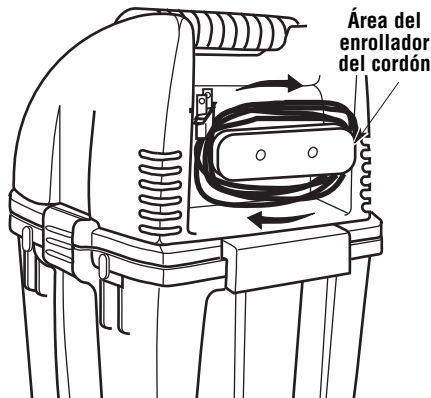
Ensamblaje de la aspiradora

Coloque el ensamblaje del motor de la aspiradora sobre el ensamblaje del recipiente de la aspiradora y asegúrelo con los dos pestillos laterales.



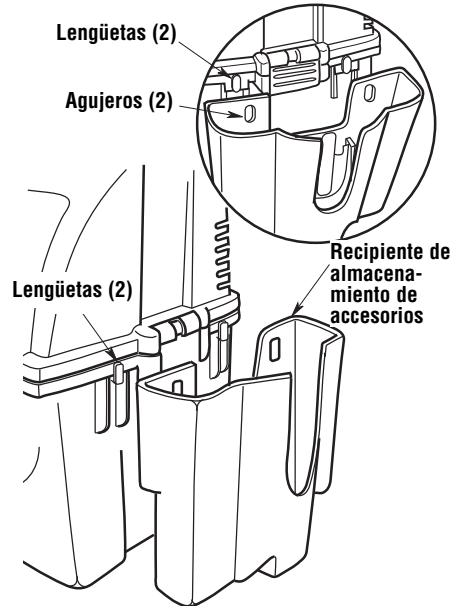
Almacenamiento en el enrollador del cordón

Enrolle el cordón eléctrico en el sentido de las agujas del reloj (desde la parte trasera) alrededor del área del enrollador del cordón en la parte de atrás del ensamblaje del motor de la aspiradora.



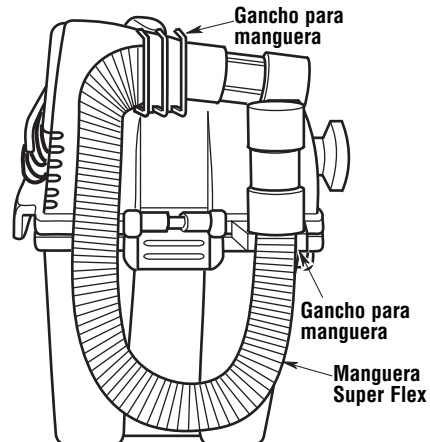
Recipiente de almacenamiento de accesorios

Instale el recipiente de almacenamiento de accesorios en el ensamblaje de la aspiradora insertando las lengüetas ubicadas en el recipiente de la aspiradora a través de los agujeros ubicados en el recipiente de almacenamiento y bajando dicho recipiente hasta la posición correcta.



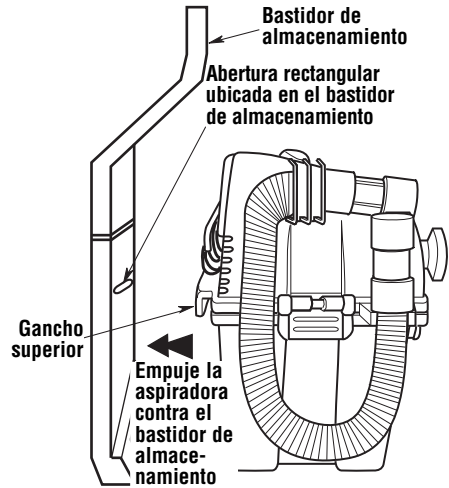
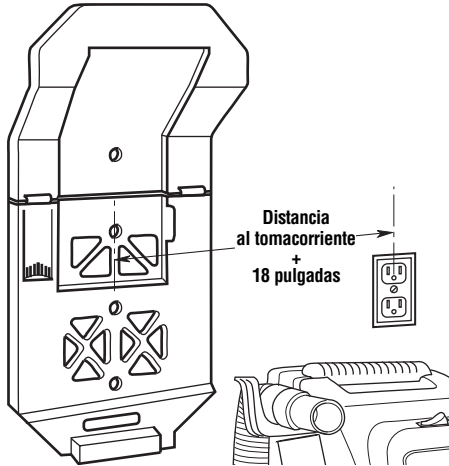
Almacenamiento de las mangueras

Deslice cada extremo de la manguera Super Flex al interior de los ganchos para manguera apropiados ubicados en el ensamblaje del motor de la aspiradora.

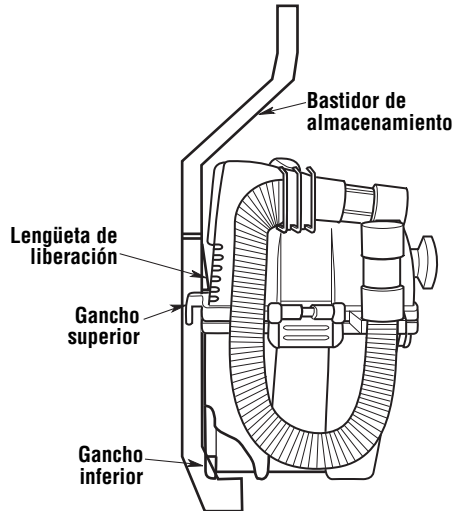


Suspensión de la aspiradora en el bastidor de almacenamiento

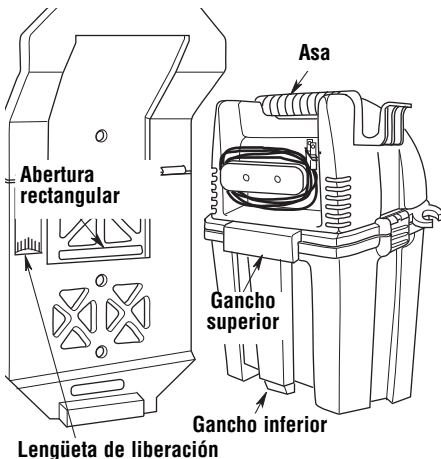
1. Ponga la aspiradora en el piso cerca del bastidor de almacenamiento. Mida la distancia desde el centro del bastidor de almacenamiento hasta el tomacorriente más cercano y añada 18 pulgadas.



5. Baje la aspiradora hasta que el gancho superior de la aspiradora y el gancho inferior estén acoplados y la parte inferior del recipiente de la aspiradora descanse sobre el bastidor. La lengüeta de liberación saldrá sobre la pestaña ubicada en el ensamblaje del motor.



2. Desenrolle esa longitud del cordón de energía ubicado en el enrollador del cordón. Deje colgar el cordón suelto sobre la parte de arriba de la aspiradora y hacia abajo por la parte delantera.
3. Agarre el asa con una mano y la parte inferior del recipiente de la aspiradora en la parte delantera con la otra mano. Levante siempre la aspiradora con las dos manos. Levante la aspiradora hasta el bastidor de almacenamiento.
4. Alinee el gancho superior de la aspiradora con la abertura rectangular ubicada en el bastidor de almacenamiento. Empuje la aspiradora contra el bastidor de almacenamiento.



6. Acople a presión el cable de alimentación en el interior del retenedor del cordón en la superficie delantera del bastidor. El cordón podrá salir tanto por el lado izquierdo como por el derecho. Enchufe el cordón de energía en el tomacorriente. No sujete el cordón de energía a la pared de ningún modo.

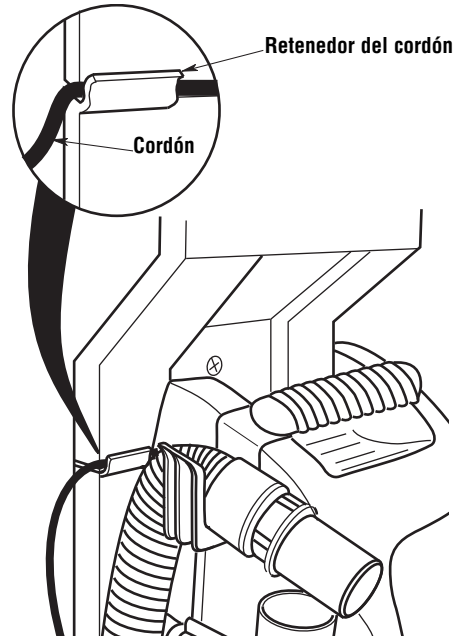
Suspensión de la aspiradora en el bastidor de almacenamiento (continuación)

Almacenamiento del cordón

Cuando la aspiradora para seco/mojado Stor-N-Go no esté siendo utilizada, se debe desenchufar del tomacorriente. El exceso de cordón se debe enrollar sobre el bastidor de almacenamiento de la manguera. Es posible que se requieran varios bucles para eliminar todos los peligros de tropezar creados por un cordón que cuelgue débilmente.

Remoción de la aspiradora del bastidor de almacenamiento

1. Desenchufe el cordón de energía del tomacorriente. Retire el cordón del retenedor del cordón. Deje colgar el cordón suelto sobre la parte de arriba de la aspiradora.
2. Con la mano derecha, agarre el asa de transporte.
3. Con la mano izquierda, presione la lengüeta de liberación ubicada en el lado izquierdo del bastidor de almacenamiento.
4. Levante el asa y tire de la aspiradora hacia arriba y hacia fuera del bastidor de almacenamiento.

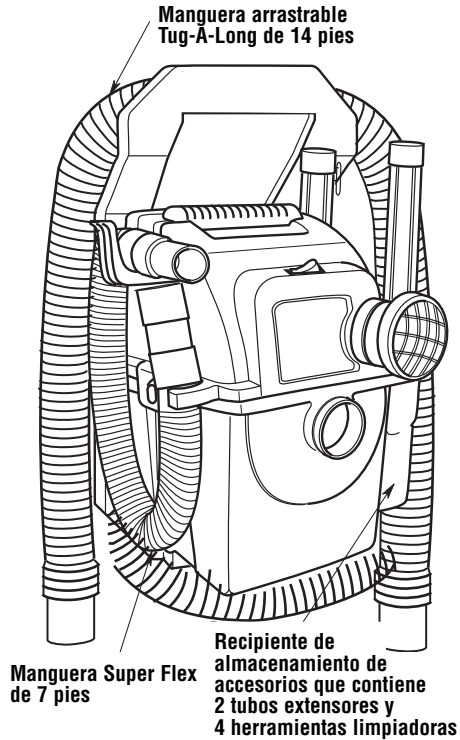
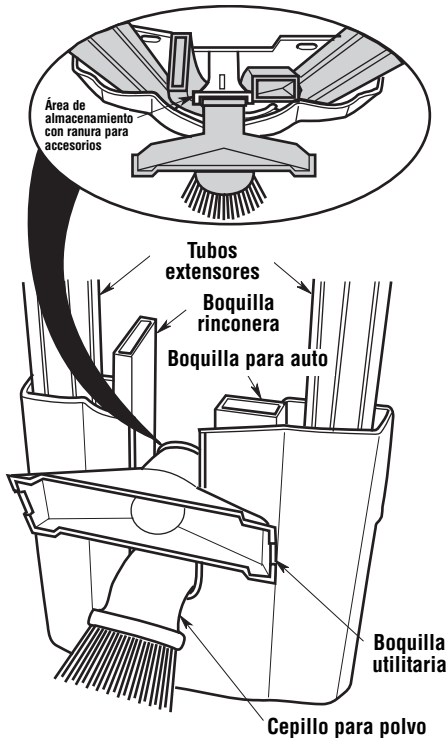


Accesorios

Almacenamiento de las mangueras, los tubos extensores y las herramientas limpiadoras

1. Deslice los tubos extensores situados en los lados alejados del recipiente de almacenamiento de accesorios ubicado en el lado derecho de la aspiradora Stor-N-Go. Deslice la boquilla para auto y la boquilla rinconera junto a los tubos extensores en el recipiente de almacenamiento. Posicione el cepillo para polvo en posición horizontal y deslícelo al interior de la ranura para accesorios del recipiente de almacenamiento. Es necesario colocar primero el cepillo para polvo en la ranura para accesorios, ya que la boquilla utilitaria no encajará en esta posición. Por último, coloque la boquilla utilitaria al ras contra el área de almacenamiento con ranura para accesorios y deslícela hacia abajo hasta la posición de almacenamiento. El recipiente de almacenamiento acomoda ambos tubos extensores y las cuatro herramientas limpiadoras.

2. Inserte los extremos de la manguera Super Flex de 7 pies en los ganchos ubicados en el lado izquierdo de la aspiradora Stor-N-Go, de la manera que se muestra más abajo.
3. Forme un bucle doble con la manguera arrastrable Tug-A-Long de 14 pies y cuélguela en el gancho de almacenamiento para manguera ubicado en la parte de arriba del bastidor.



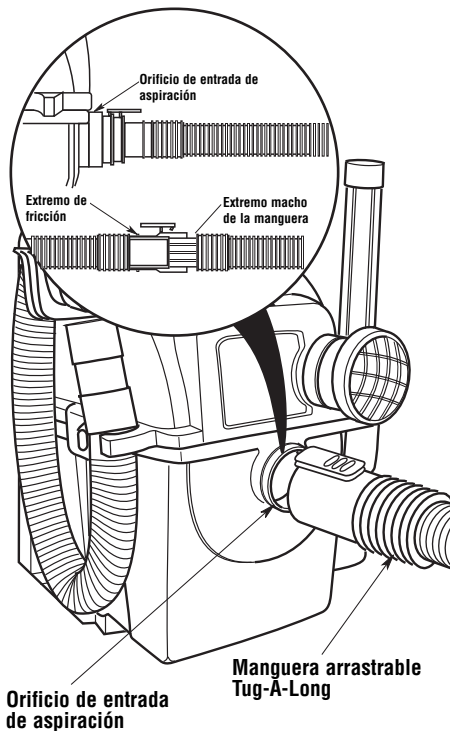
Accesorios (continuación)

Mangueras (arrastrable Tug-A-Long de 14 pies y Super Flex de 7 pies)

La manguera arrastrable Tug-A-Long de 14 pies y la manguera Super Flex de 7 pies tienen un adaptador que se puede utilizar para conectar la manguera al orificio de aspiración ubicado en la aspiradora o al extremo macho de otra manguera. Tanto las mangueras de 7 pies como las de 14 pies se pueden utilizar conectadas juntas o independientemente una de otra.

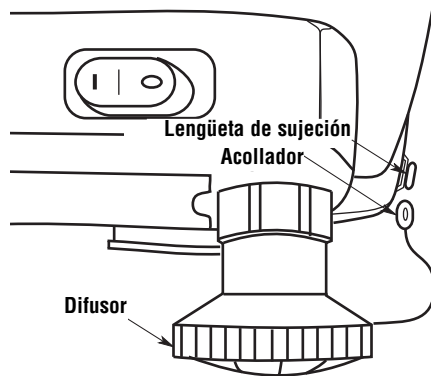
Tanto las mangueras de 7 pies como las de 14 pies tienen un adaptador de fijación en un extremo que se conectará a la aspiradora, y un conector de fricción en el otro extremo, que conectará a todos los accesorios de 1-7/8 pulgadas o una segunda manguera.

Para conectar estas dos mangueras juntas, conecte primero la manguera de 14 pies a la aspiradora para seco/mojado. Luego, conecte la manguera de 7 pies a la manguera de 14 pies insertando el extremo de fricción de la manguera más larga en el extremo de fijación más grande de la manguera más corta. Esto creará una conexión por fricción.



Ensamblaje de la tapa del difusor

Conecte el acollador a la lengüeta de sujeción ubicada en el ensamblaje del motor de la aspiradora, para mantener el difusor sujeto a la aspiradora cuando utilice el orificio para soplador. La tapa del difusor se puede utilizar en el orificio de escape de la aspiradora para mojado/seco. La instalación de la tapa del difusor le permitirá dispersar el aire de escape en cualquier dirección y reducir la intensidad de la fuerza del aire de escape.



Funcionamiento

▲ ADVERTENCIA: Para reducir el riesgo de incendio, explosión o daños a la aspiradora:

- No deje la aspiradora en marcha mientras esté desatendida. Usted podría no notar señales importantes que indiquen un funcionamiento anormal, tal como pérdida de succión, residuos o líquido que salen por el escape o ruidos anormales del motor. Deje de usar la aspiradora inmediatamente si observa estas señales.
- No deje la aspiradora enchufada cuando no se esté utilizando.
- No continúe usando la aspiradora cuando el flotador haya cortado la succión.
- No utilice la aspiradora en áreas con gases inflamables, vapores inflamables o polvo explosivo en el aire. Las chispas generadas dentro del motor pueden incendiar los materiales inflamables suspendidos en el aire. Los gases inflamables y los vapores inflamables incluyen: líquido encendedor, limpiadores tipo solvente, pinturas a base de aceite, gasolina, alcohol o rociadores tipo aerosol. Los polvos inflamables incluyen: polvo de carbón, polvo de magnesio, polvo de aluminio, polvo de grano de cereal o pólvera.
- No recoja con la aspiradora polvos explosivos, líquidos inflamables ni cenizas calientes.

▲ ADVERTENCIA: Para reducir el riesgo de descargas eléctricas o lesiones:

- No exponga la aspiradora a la lluvia ni deje que entre líquido en el compartimiento del motor. Almacene la aspiradora en un lugar interior.
- No maneje el enchufe, el interruptor o la aspiradora con las manos mojadas.
- No haga servicio de ajustes y reparaciones de la aspiradora mientras esté enchufada. Si la aspiradora no está funcionando como debería, le faltan piezas, se ha caído, está dañada, se ha dejado a la intemperie o se ha caído al agua, devuélvala a un centro de servicio independiente o llame a servicio al cliente.
- Cuando utilice un cordón de extensión, utilice únicamente cordones con capacidad nominal para uso a la intemperie que estén en buenas condiciones. No deje que la conexión entre en contacto con líquido.

Para reducir el riesgo de sacudidas eléctricas, este aparato electrodoméstico tiene un enchufe polarizado (una hoja es más ancha que la otra). Este enchufe entrará en un tomacorriente polarizado solamente de una manera. Si el enchufe no entra por completo en el tomacorriente, déle la vuelta. Si sigue sin entrar, póngase en contacto con un electricista competente para instalar el tomacorriente adecuado. No haga ningún tipo de cambio en el enchufe.

Después de enchufar el cordón de energía en el tomacorriente, encienda la unidad empujando el interruptor de la posición "O" a la posición "I". Lo símbolos utilizados en la cubierta del motor son los símbolos internacionales de "encendido y apagado".

○ = APAGADO | = ENCENDIDO

Recogida de materiales secos con la aspiradora

1. El filtro debe estar instalado apropiadamente para evitar fugas y posibles daños a la aspiradora.
2. Si está recogiendo polvo fino, será necesario vaciar el tambor y limpiar el filtro más frecuentemente para mantener el rendimiento máximo de la aspiradora.

NOTA: Se necesita un filtro seco para recoger material seco. Si utiliza la aspiradora para recoger polvo cuando el filtro está mojado, éste se atascará rápidamente y será muy difícil limpiarlo.

Funcionamiento (continuación)

Recogida de líquidos con la aspiradora

1. Al recoger pequeñas cantidades de líquido se podrá dejar puesto el filtro.
2. Al recoger grandes cantidades de líquido recomendamos quitar el filtro. Si no se quita el filtro, éste se saturará y podrá aparecer niebla en el escape.

⚠ ADVERTENCIA: No utilice la aspiradora sin la jaula del filtro y el flotador, ya que estas piezas evitan que entre líquido en el impulsor y dañe el motor.

3. Cuando recoja grandes cantidades de líquido, se recomienda que retire la aspiradora del bastidor de almacenamiento y la ponga en el piso. Cuando esté llena de agua, la aspiradora pesará aproximadamente 40 libras y podría ser difícil retirarla del bastidor de almacenamiento. Vacíe siempre la aspiradora y seque el filtro inmediatamente después de recoger líquidos.
4. Después de usar la aspiradora para recoger líquidos, se debe secar el filtro para reducir el riesgo de posible moho y daños al filtro.
5. Cuando el líquido contenido en el recipiente de la aspiradora alcance un nivel predeterminado, el mecanismo de flotación subirá automáticamente para cortar el flujo de aire. Cuando esto ocurra, apague la aspiradora, desenchufe el cable de alimentación y vacíe el recipiente de la aspiradora. Sabrá que el flotador ha subido porque el flujo de aire de la aspiradora cesará y subirá el tono del ruido del motor debido a que se producirá un aumento de la velocidad del mismo.

IMPORTANTE: Para reducir el riesgo de daños a la aspiradora, no tenga en marcha el motor con el flotador en la posición elevada.

Vaciado del recipiente de la aspiradora

⚠ ADVERTENCIA: Para reducir el riesgo de lesiones por causa de un arranque accidental, desenchufe el cable de alimentación antes de vaciar el recipiente de la aspiradora.

1. Con la aspiradora retirada del bastidor de almacenamiento (consulte la sección "Remoción de la aspiradora del bastidor de almacenamiento"), retire el ensamblaje del motor de la aspiradora del ensamblaje del recipiente de la aspiradora.
2. Coloque el ensamblaje del motor de la aspiradora en posición invertida en un área limpia mientras vacía el recipiente de la aspiradora.
3. Vierta el contenido del recipiente de la aspiradora en un recipiente de eliminación de residuos apropiado.

Funcionamiento (continuación)

Dispositivo de soplado

La aspiradora cuenta con un orificio de soplado. Puede soplar aserrín y otros residuos. Siga los pasos que se indican a continuación para usar la aspiradora como soplador.

⚠ ADVERTENCIA: Use siempre anteojos de seguridad que cumplan con la norma ANSI Z87.1 (o en Canadá, con la norma CSA Z94.3) antes de utilizar la aspiradora como soplador.

⚠ ADVERTENCIA: Para reducir el riesgo de lesiones a las personas que estén presentes, manténgalas alejadas de los residuos soplados.

⚠ PRECAUCIÓN: Use una máscara antipolvo si el soplado genera polvo que podría ser inhalado.

⚠ PRECAUCIÓN: Para reducir el riesgo de daños a la audición, use protectores de oídos cuando utilice la aspiradora/soplador durante muchas horas seguidas o cuando la utilice en un área ruidosa.

1. Localice el orificio de soplado de la aspiradora.
2. Inserte el extremo de la manguera arrastrable Tug-A-Long en el orificio de soplado de la aspiradora.
3. (Opcional) Acople un tubo extensor en el extremo opuesto de la manguera y luego coloque la boquilla para auto en el tubo.
4. Encienda la aspiradora y estará lista para utilizarse como soplador.

Mantenimiento

Filtro

NOTA: Este filtro está hecho de papel de alta calidad diseñado para detener partículas de polvo muy pequeñas. El filtro se puede utilizar para recoger material mojado o seco. Maneje el filtro cuidadosamente cuando lo quite para limpiarlo o cuando lo instale. Es posible que se formen arrugas en los pliegues del filtro como resultado de la instalación, pero las arrugas no afectarán el rendimiento del filtro.

Remoción del filtro

Consulte la sección de este manual "Remoción e instalación del filtro" en la página 25.

Limpieza del filtro

Se debe limpiar a menudo el filtro para mantener el rendimiento máximo de la aspiradora.

Asegúrese de secar el filtro antes de almacenar la aspiradora o recoger residuos secos.

IMPORTANTE: Después de limpiar el filtro, compruebe si éste tiene desgarraduras o agujeros pequeños. No utilice un filtro que tenga agujeros o desgarraduras. Incluso un agujero pequeño puede hacer que salga mucho polvo de la aspiradora. Reemplace el filtro inmediatamente.

Limpieza de un filtro seco

1. Para obtener los mejores resultados de limpieza cuando se haya acumulado polvo en el filtro, limpie el filtro en un área abierta. La limpieza DEBE realizarse en el exterior y no en áreas de vivienda.
2. Después de quitar el filtro de la aspiradora, quite los residuos secos golpeando suavemente el filtro contra la pared interior del tambor para polvo y los residuos se soltarán y caerán.
3. Para realizar una limpieza a fondo del filtro seco con polvo fino (sin residuos), se puede pasar agua a través del filtro de la manera que se describe en "Limpieza de un filtro mojado".

Limpieza de un filtro mojado

Después de quitar el filtro, haga pasar agua a través de él usando una manguera o una espita. Tenga cuidado de que la presión del agua de la manguera no sea tan fuerte como para dañar el filtro.

Instalación

Consulte la sección de este manual "Remoción e instalación del filtro" en la página 25.

Deje que el filtro se seque antes de almacenar la aspiradora.

Mantenimiento (continuación)

Limpeza y desinfección de la aspiradora para mojado/seco

Para mantener el mejor aspecto posible de la aspiradora para mojado/seco, limpie su exterior con un paño humedecido con agua templada y un jabón suave.

Para limpiar el tambor:

1. Vacíe de residuos el tambor.
2. Lave a fondo el tambor con agua templada y un jabón suave.
3. Limpie el tambor con un paño seco.

Antes de un almacenamiento prolongado o según sea necesario (por ejemplo, si se recogen aguas residuales), se debe desinfectar el tambor.

Para desinfectar el tambor:

1. Eche 1 galón de agua y 1 cucharadita de blanqueador de cloro en el tambor.
2. Deje que la solución repose durante 20 minutos y agítela cuidadosamente cada pocos minutos, asegurándose de mojar todas las superficies interiores del tambor.
3. Vacíe el tambor después de 20 minutos. Enjuáguelo con agua hasta que el olor a blanqueador desaparezca. Deje que el tambor se seque completamente antes de sellar el motor sobre el tambor.

Limpeza de la aspiradora Stor-N-Go

Para mantener la aspiradora para seco/mojado Stor-N-Go con el mejor aspecto posible, limpie el exterior con un paño humedecido con agua templada y un jabón suave.

Para limpiar el recipiente de la aspiradora:

1. Vacíe de residuos el tambor.
2. Lave completamente el recipiente de la aspiradora con agua templada y un jabón suave.
3. Limpie el tambor con un paño seco.

⚠ ADVERTENCIA: Para garantizar la **SEGURIDAD y CONFIABILIDAD del producto, las reparaciones y los ajustes deben realizarlos Centros de Servicio autorizados, usando siempre piezas de repuesto RIDGID.**

Piezas de repuesto


Aspiradora para seco/mojado RIDGID STOR-N-GO de 5 galones Número de modelo WD55000

Las piezas RIDGID se encuentran disponibles en línea conectándose a www.ridgidparts.com

Pida siempre por número de pieza —no por número de clave

▲ ADVERTENCIA

SERVICIO DE AJUSTES Y REPARACIONES DE UNA ASPIRADORA PARA MOJADO/SECO CON AISLAMIENTO DOBLE

En una aspiradora para mojado/seco con aislamiento doble se proporcionan dos sistemas de aislamiento en vez de conexión a tierra. No se proporciona ningún medio de conexión a tierra en un aparato electrodoméstico con aislamiento doble, ni se debe añadir a éste ningún medio de conexión a tierra. El servicio de ajustes y reparaciones de una aspiradora para mojado/seco con aislamiento doble requiere extremado cuidado y conocimiento del sistema, y debe ser realizado únicamente por personal de servicio competente. Las piezas de repuesto para la aspiradora para mojado/seco con aislamiento doble deben ser idénticas a las piezas que reemplazan. La aspiradora para mojado/seco con aislamiento doble está marcada con las palabras "DOUBLE INSULATED" (con aislamiento doble) y puede que el símbolo  (un cuadrado dentro de un cuadrado) también esté marcado en los aparatos.

Para reducir el riesgo de lesiones por causa de descargas eléctricas, desenchufe el cordón de energía antes de hacer servicio de ajustes y reparaciones a las piezas eléctricas de la aspiradora para mojado/seco.

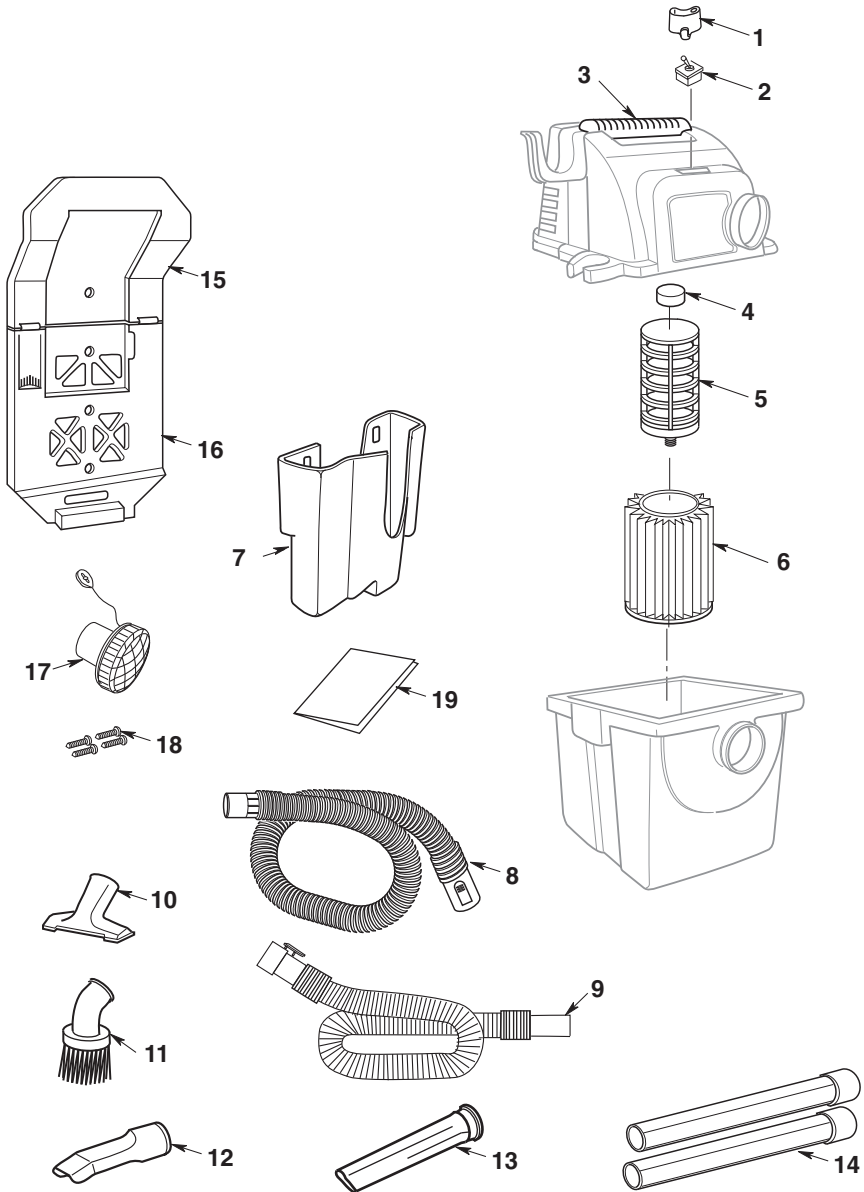
No. de clave	No. de pieza	Descripción
1	830564	Accionador del interruptor
2	813213	Interruptor de palanca
3	831111-1	Asa de transporte
4	509488	Flotador
5	823201-3	Jaula del filtro
6	VF4000	† Filtro Qwik Lock™
7	831115-1	Recipiente de almacenamiento de accesorios
8	830673	Manguera arrastrable Tug-A-Long de 14 pies
9	831327	Manguera Super Flex de 7 pies
10	VT1709	† Boquilla utilitaria
11	VT1701	† Boquilla para auto
12	VT1781	† Boquilla para mojado
13	VT1702	† Boquilla rinconera
14	VT1708	† Tubos extensores
15	831114	Bastidor superior de almacenamiento
16	831113	Bastidor inferior de almacenamiento
17	830675-1	Difusor
18	820563-12	* Tornillos para madera No. 10 de 1-3/4
19	SP6755	Manual del usuario

* Artículo de herrajes estándar. Se puede comprar localmente.

† Estas piezas de repuesto se encuentran disponibles en el establecimiento donde compró la aspiradora.

Piezas de repuesto

Aspiradora para seco/mojado RIDGID STOR-N-GO de 5 galones
 Número de modelo WD55000



RIDGID®



- **Qué está cubierto**

Se garantiza que las aspiradoras para mojado/seco RIDGID® están libres de defectos de fabricación y de materiales.

- **Cuánto dura la cobertura**

Esta garantía dura toda la vida de las aspiradoras para mojado/seco RIDGID®.

- **Cómo puede obtener servicio**

Para obtener el beneficio de esta garantía, envíe el producto completo mediante transporte prepagado a RIDGE TOOL COMPANY, Elyria, Ohio, o a cualquier CENTRO DE SERVICIO INDEPENDIENTE RIDGID®. Las llaves para tubos y otras herramientas de mano deben devolverse al establecimiento de compra.

- **Qué haremos para corregir los problemas**

Las aspiradoras para mojado/seco garantizadas serán reparadas o reemplazadas, a opción de Ridge Tool Company, y serán devueltas sin cargo; o si después de tres intentos de reparar o reemplazar la aspiradora para mojado/seco durante el período de garantía ésta aún presenta defectos, usted puede optar por recibir un reembolso completo de su precio de compra.

- **Qué no está cubierto**

Las averías debidas a uso incorrecto, abuso o desgaste por el uso normal no están cubiertas por esta garantía. **RIDGE TOOL COMPANY NO SERÁ RESPONSABLE DE NINGÚN DAÑO FORTUITO NI EMERGENTE.**

- **Cómo se relaciona la ley local con la garantía**

Algunos estados no permiten la exclusión o limitación de los daños fortuitos o emergentes, por lo que es posible que la limitación o exclusión que antecede no tenga aplicación en su caso. Esta garantía le confiere a usted derechos específicos y es posible que también tenga otros derechos, que varían de un estado a otro, una provincia a otra o un país a otro.

- **Ninguna otra garantía expresa tiene aplicación**

Esta GARANTÍA COMPLETA DE POR VIDA es la garantía única y exclusiva de las aspiradoras para mojado/seco RIDGID®. Ningún empleado, agente, distribuidor u otra persona está autorizado a alterar esta garantía ni a dar ninguna otra garantía en nombre de Ridge Tool Company.

No. de catálogo WD5500

No. de modelo WD55000

Número de serie _____

Los números de modelo y de serie se pueden encontrar en la parte trasera de la cubierta del motor. Debe anotar tanto el número de modelo como el de serie en un lugar seguro para uso futuro.

¿PREGUNTAS O COMENTARIOS? COMUNÍQUESE CON NOSOTROS EN

1-800-4-RIDGID (1-800-474-3443) desde los EE.UU. y Canadá
01-800-701-9811 desde México

www.ridgidvac.com

Por favor, tenga a mano su número de modelo y número de serie cuando llame.



EMERSON™

© 2012 Emerson

Commercial & Residential Solutions