

Recliner Assembly Instructions

Your recliner comes packaged in one box.

DO NOT use any sharp objects to open plastic wrapped components as damage to product or components may result.





Carefully remove all of the components from the packaging and set aside for assembly. Assemble on a soft surface to prevent scratching the finish.

Estimated Assembly Time in Minutes






★ ☆ ☆
 <15 <45 60+



Parts List

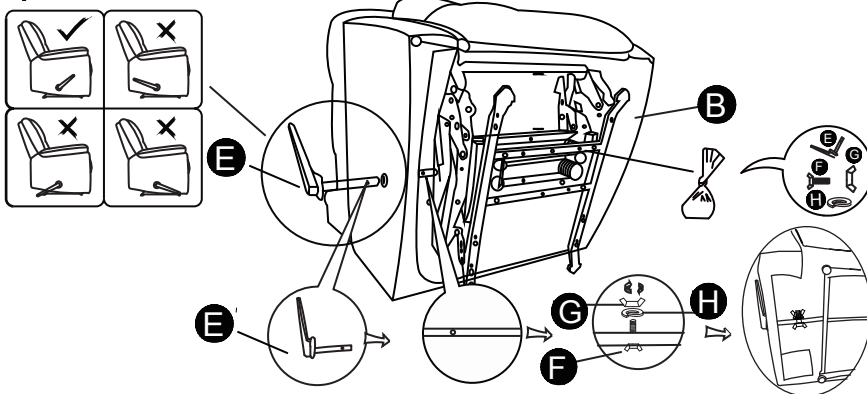
- A** 1 x Back 
- B** 1 x Seat 
- C** 1 x Left Back wing 
- D** 1 x Right Back wing 

Hardware List

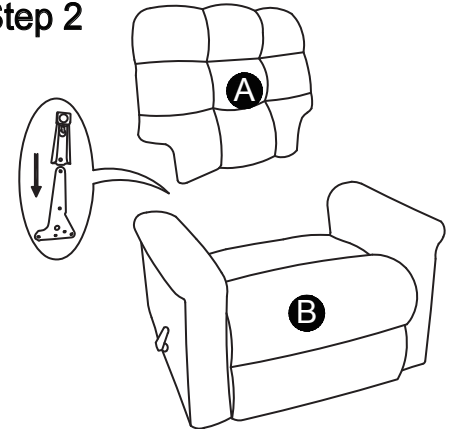
- * **E** 1 x Handle 
- * **F** 1 x Bolt 
1/4"x 1 1/4"
- * **G** 1 x Wing Nut 
1/4"
- * **H** 1 x Lock Washers  M6
- * Replaceable Parts
-  Hardware bag can be found under the seat

Assembly

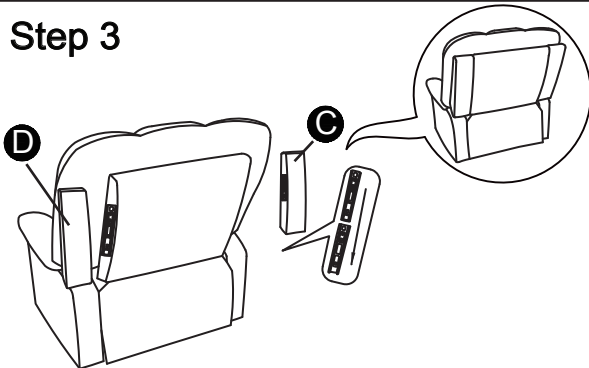
Step 1



Step 2

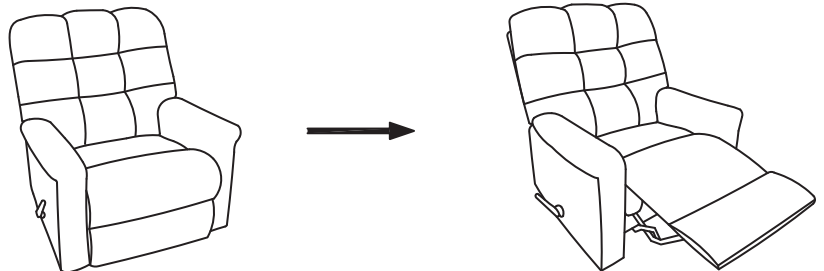


Step 3



Step 4

Please note the handle is used to release the foot rest. Use your arms to recline all the way back. To close, please use your legs to push the foot rest down.



Your recliner style may differ from images. Care for your furniture by periodically tightening all bolts.

CAUTION: Tighten all components securely before use. Failure to do so may result in personal injury.

About your furniture piece:

- Softening of foam is natural and will happen over time with use.
- Fabric will fade or discolor in direct sunlight. Minimize exposure to direct sunlight to extend the life of your furniture.
- Wood grain, knots, streaks, and color variation occur naturally in wood and are not considered defects.

Customer Support: 866-238-0531
 Mon-Fri 8:00am - 4:30pm CST
 customerservice@furniturequestions.com