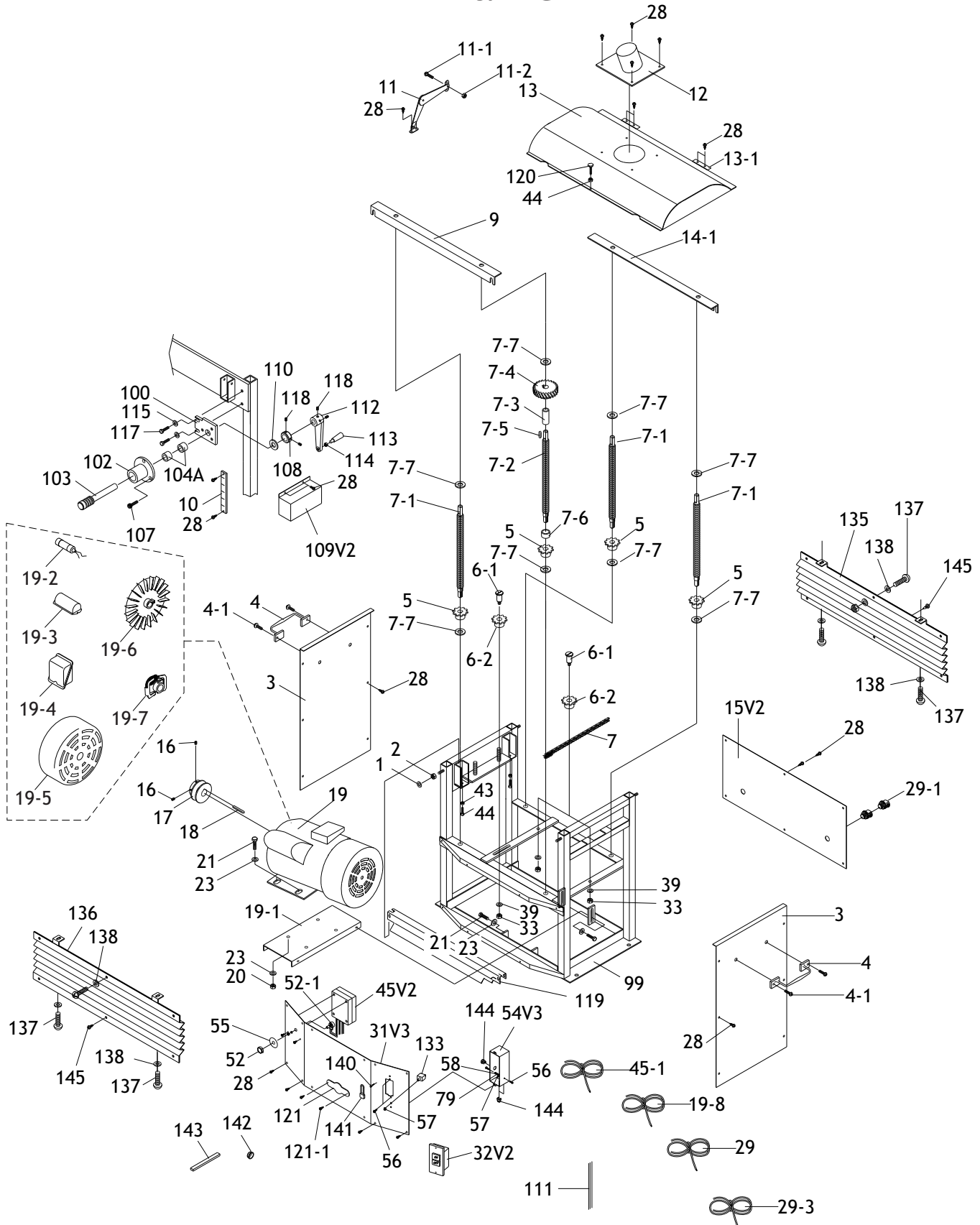


PARTS

Frame

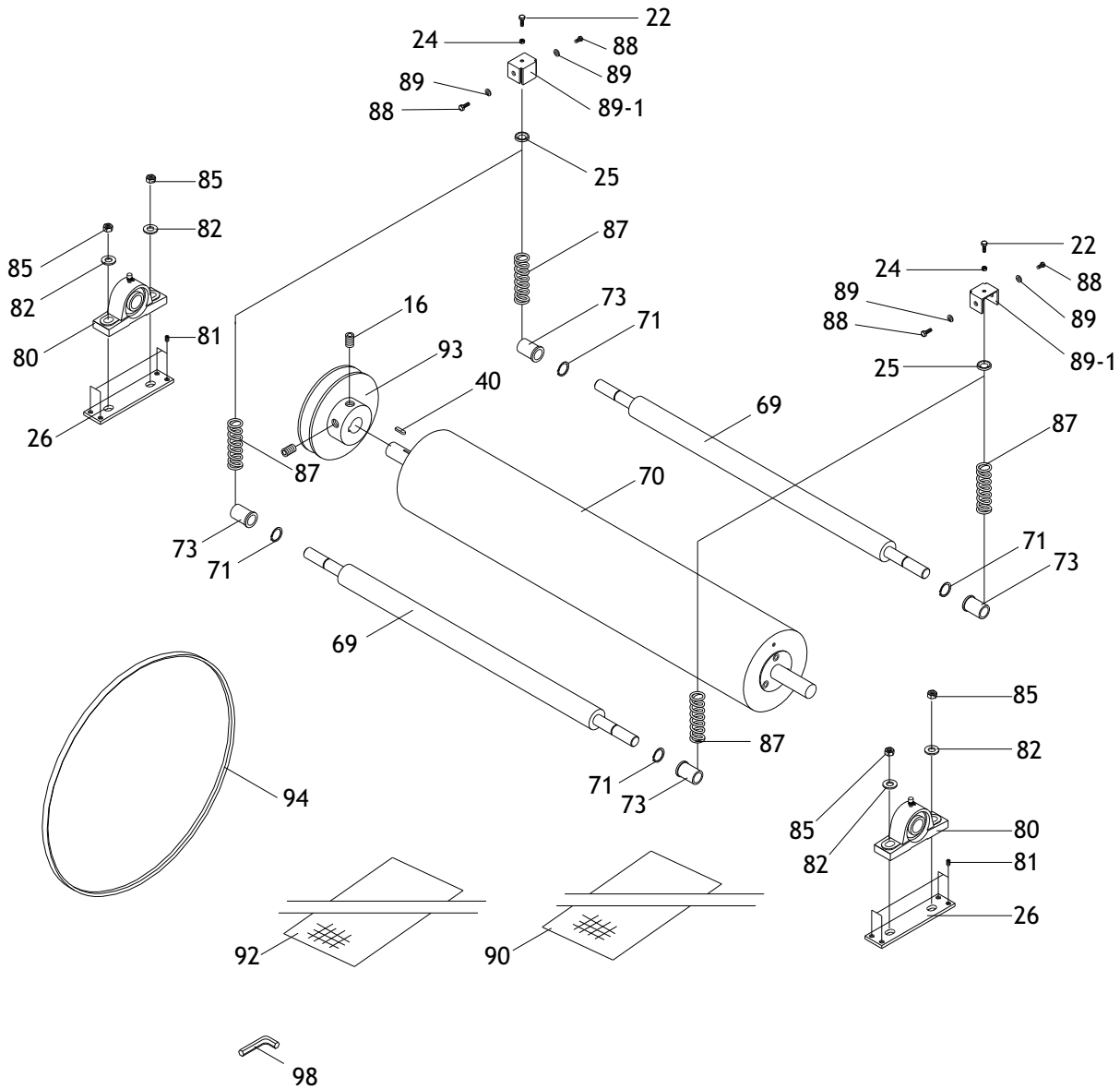


Frame Parts List

REF	PART #	DESCRIPTION
1	XPN02	HEX NUT 5/16-18
2	XPW07	FLAT WASHER 5/16
3	X1740003	SIDE PANEL
4	X1740004	HANDLE
4-1	XPCAP09	CAP SCREW 5/16-18 X 5/8
5	X1740005	SPROCKET
6-1	X1740006-1	SPROCKET SHAFT
6-2	X1740006-2	SPROCKET
7	X1740007	ELEVATION CHAIN
7-1	X1740007-1	TABLE LIFT SCREW
7-2	X1740007-2	DRIVING TABLE LIFT SCREW
7-3	X1740007-3	BUSHING
7-4	X1740007-4	SIDE GEAR
7-5	XPK06M	KEY 5 X 5 X 10
7-6	X1740007-6	BRASS WASHER 1/2
7-7	XPW01	FLAT WASHER 1/2
9	X1740009	FRONT BRACE
10	X1740010	DEPTH SCALE
11	X1740011	RIGHT SUPPORT ARM
11-1	XPS01	PHLP HD SCR 10-24 X 1/2
11-2	XPN12	HEX NUT 6-32
12	X1740012	DUST PORT
13	X1740013	TOP COVER
13-1	X1740013-1	HINGE
14-1	X1740014-1	REAR BRACE
15V2	X1740015V2	REAR PANEL V2.01.10
16	XPSS03	SET SCREW 1/4-20 X 3/8
17	X1740017	MOTOR PULLEY
18	XPK110	KEY 1/4 X 1/4 X 1
19	X1740019	MOTOR 1.5HP 115V 1-PH
19-1	X1740019-1	MOTOR BRACKET
19-2	X1740019-2	S CAPACITOR 300M 125V 1-1/2 X 3-1/8
19-3	X1740019-3	CAPACITOR COVER
19-4	X1740019-4	MOTOR WIRING COVER
19-5	X1740019-5	FAN COVER
19-6	X1740019-6	MOTOR FAN
19-7	X1740019-7	CENTRIFUGAL SWITCH
19-8	X1740019-8	MOTOR CORD
20	XPN02	HEX NUT 5/16-18
21	XPB07	HEX BOLT 5/16-18 X 3/4
23	XPW07	FLAT WASHER 5/16
28	XPHTEK7	TAP SCREW #8 X 3/8
29	X1740029	POWER CORD 14G 3W 5-15P
29-1	X1740029-1	STRAIN RELIEF 1/2"

REF	PART #	DESCRIPTION
29-3	X1740029-3	CONTROL WIRE
31V3	X1740031V3	FRONT PANEL V3.01.13
32V2	X1740032V2	PUSH BUTTON SWITCH V2.01.10
33	XPN02	HEX NUT 5/16-18
39	XPW07	FLAT WASHER 5/16
43	XPN05	HEX NUT 1/4-20
44	XPB05	HEX BOLT 1/4-20 X 3/4
45-1	X1740045-1	VS POWER CORD
45V2	X1740045V2	PC BOARD CONSOLE UNIT V2.01.10
54V3	X1740054V3	SWITCH BOX V3.01.13
55	X1740055	SPEED INDICATOR LABEL
56	XPFS03	FLANGE SCREW 10-24 X 3/8
57	XPN07	HEX NUT 10-24
58	XPTLW02M	EXT TOOTH WASHER 5MM
99	X1740099	FRAME
100	X1740100	WORM GEAR SHAFT BRACKET
102	X1740102	SHAFT MOUNT
103	X1740103	PINION GEAR
104A	X1740104A	BUSHING
107	XPB19	HEX BOLT 1/4-20 X 1/2
108	X1740108	COLLAR
109V2	X1740109V2	GEAR COVER V2.01.13
110	X1740110	CRANK HANDLE WASHER 16MM
112	X1740112	CRANK HANDLE
113	X1740113	HANDLE
114	XPN08	HEX NUT 3/8-16
115	XPW07	FLAT WASHER 5/16
117	XPB03	HEX BOLT 5/16-18 X 1
118	XPSS11	SET SCREW 1/4-20 X 1/4
119	X1740119	DUST SCOOP
120	X1740120	KNOB 1/4-20 X 1/2
121	D3375	SHOP FOX LOGO PLATE
121-1	XPHTEK12	TAP SCREW #5 X 3/8
133	X1740133	THERMAL CIRCUIT BREAKER 20A
135	X1740135	REAR ELEVATION CHAIN GUARD
136	X1740136	FRONT ELEVATION CHAIN GUARD
137	XPS01	PHLP HD SCR 10-24 X 1/2
138	XPW03	FLAT WASHER #10
140	X1740140	PADLOCK STORAGE HOOK
141	X1740141	SWITCH PADLOCK
142	X1740142	SNAP BUSHING
143	X1740143	ADHESIVE FOAM STRIP
144	X1740144	STRAIN RELIEF 5/8" STRAIGHT SB6R-3
145	XPHTEK8	TAP SCREW #8 X 1/2

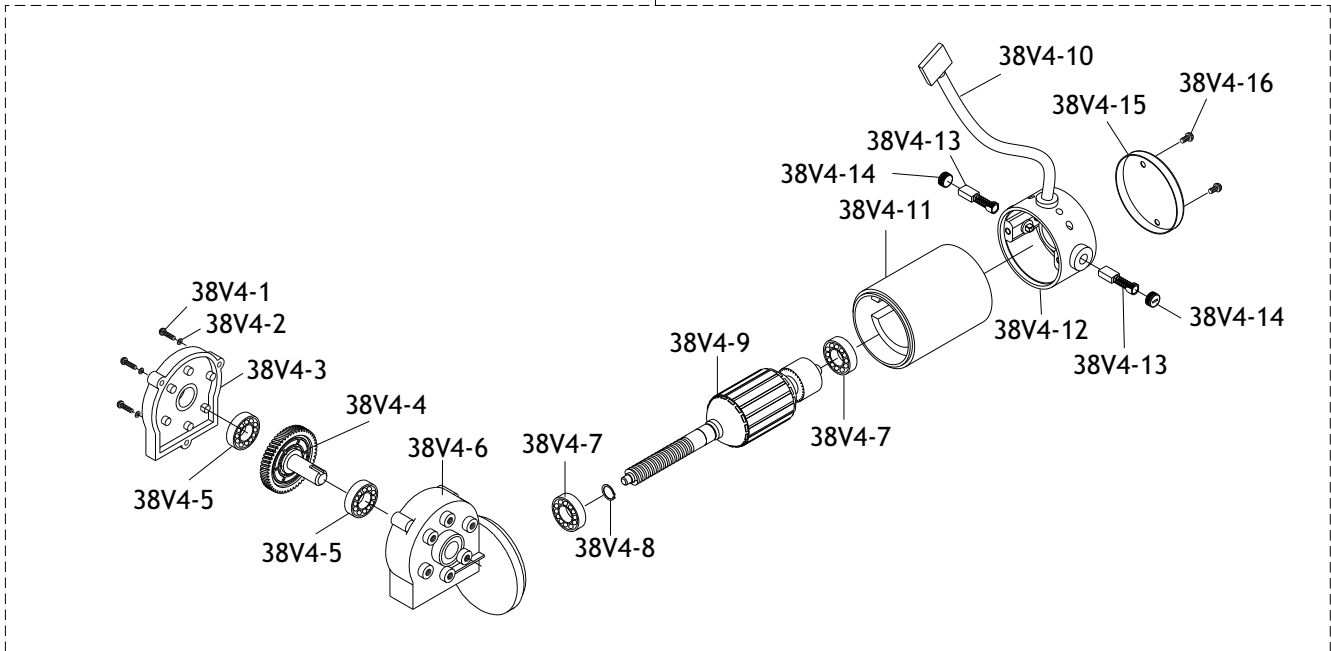
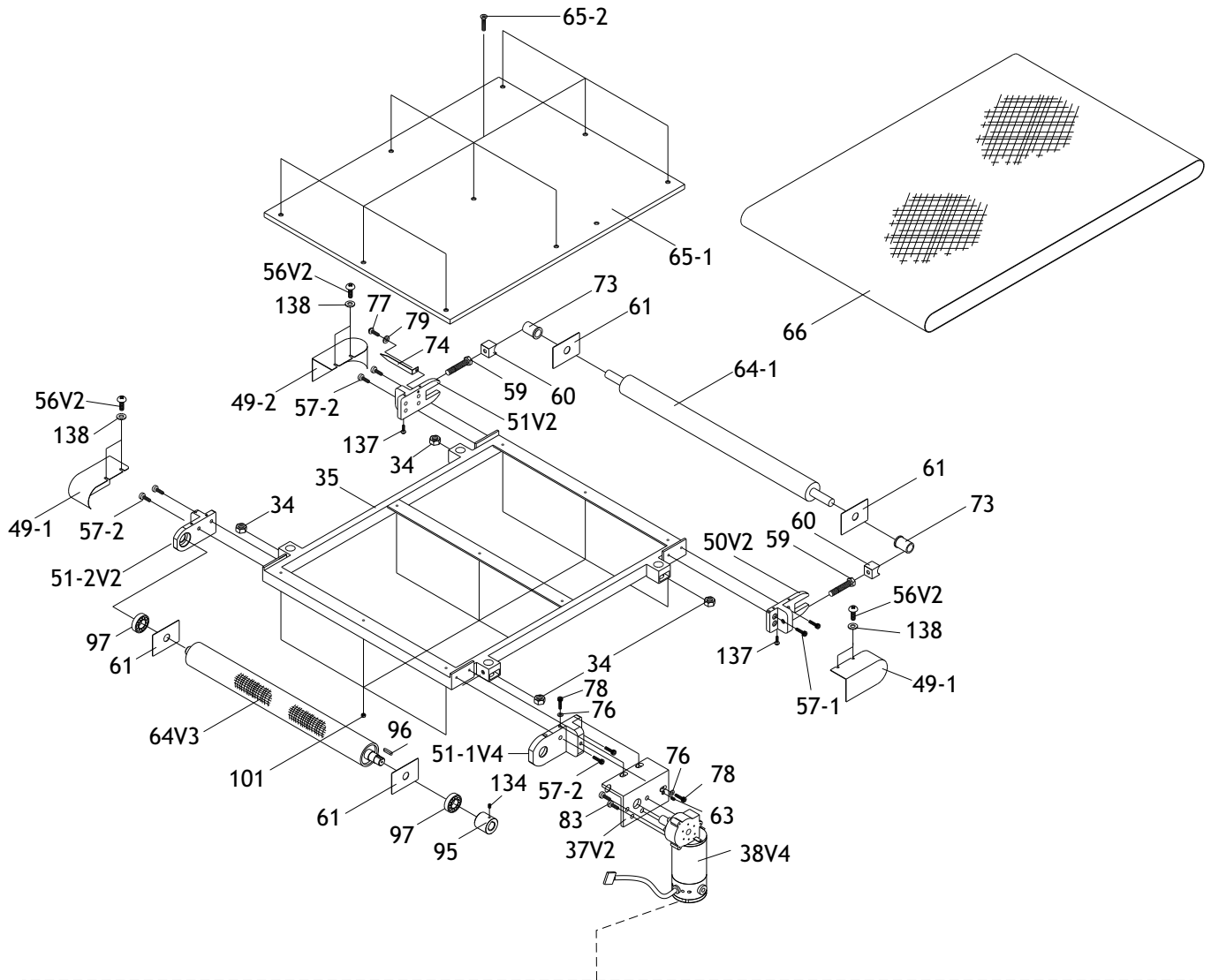
Drum



REF	PART #	DESCRIPTION
16	XPSS03	SET SCREW 1/4-20 X 3/8
22	XPB02	HEX BOLT 1/4-20 X 5/8
24	XPN05	HEX NUT 1/4-20
25	X1740025	SPRING PLATE
26	X1740026	ADJUST PLATE
40	XPK34M	KEY 5 X 5 X 20
69	X1740069	PRESSURE ROLLER
70	X1740070	SANDING DRUM
71	XPR08M	EXT RETAINING RING 19MM
73	X1740073	BUSHING
80	X1740080	PILLOW BLOCK BEARING
81	XPSS51	SET SCREW 5/16-24 X 1/2

REF	PART #	DESCRIPTION
82	XPW02	FLAT WASHER 3/8
85	XPLN01	LOCK NUT 3/8-16
87	X1740087	COMPRESSION SPRING
88	XPB51	HEX BOLT 1/4-20 X 3/8
89	XPW06	FLAT WASHER 1/4
89-1	X1740089-1	BRACKET
90	X1740090	HOOK & LOOP SANDBELT
92	X1740092	HOOK & LOOP DRUM COVER
93	X1740093	DRUM PULLEY
94	XPVA36	V-BELT A36
98	XPW03M	HEX WRENCH 3MM

Conveyor



Conveyor Parts List

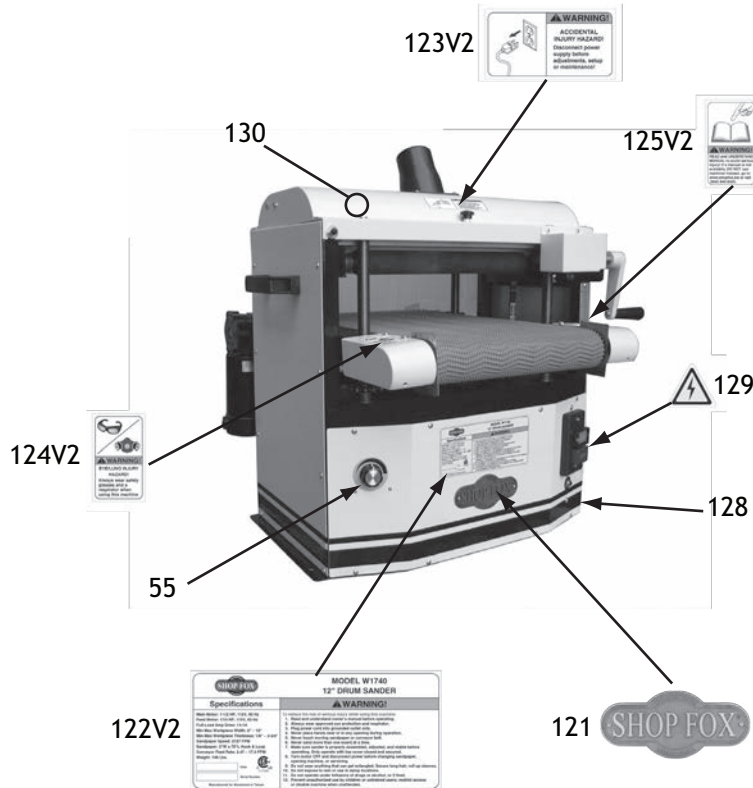
REF	PART #	DESCRIPTION
34	XPN03	HEX NUT 3/4-16
35	X1740035	TABLE FRAME
37V2	X1740037V2	CONVYR MOTOR PLATE V2.01.10
38V4	X1740038V4	DC FEED MOTOR 105W V4.01.10
38V4-1	XPS56M	PHLP HD SCR M4-.7 X 16
38V4-2	XPLW02M	LOCK WASHER 4MM
38V4-3	X1740038V4-3	END CASE V4.01.10
38V4-4	X1740038V4-4	DRIVE GEAR V4.01.10
38V4-5	XP6003ZZ	BALL BEARING 6003ZZ
38V4-6	X1740038V4-6	MAIN CASE V4.01.10
38V4-7	XP6000ZZ	BALL BEARING 6000ZZ
38V4-8	XPR06M	EXT RETAINING RING 16MM
38V4-9	X1740038V4-9	ARMATURE V4.01.10
38V4-10	X1740038V4-10	FEED MOTOR PWR CORD V4.01.10
38V4-11	X1740038V4-11	STATOR HOUSING V4.01.10
38V4-12	X1740038V4-12	MIDDLE CAP V4.01.10
38V4-13	X1740038V4-13	CARBON BRUSH V4.01.10
38V4-14	X1740038V4-14	PLASTIC LOCK SCREW V4.01.10
38V4-15	X1740038V4-15	END CAP V4.01.10
38V4-16	XPS19M	PHLP HD SCR M5-.8 X 6
49-1	X1740049-1	LFT ROLLER END GUARD COVER
49-2	X1740049-2	RT ROLLER END GUARD COVER
50V2	X1740050V2	LFT FRONT ROLLER BRACKET V2.01.13
51V2	X1740051V2	RT FRONT ROLLER BRACKET V2.01.13
51-1V4	X1740051-1V4	LFT REAR ROLLER BRCKT V4.01.13
51-2V2	X1740051-2V2	RT REAR ROLLER BRACKET V2.01.13

REF	PART #	DESCRIPTION
56V2	XPS18	PHLP HD SCR 10-24 X 1/4
57-1	XPS06	PHLP HD SCR 10-24 X 3/8
57-2	XPCAP06	CAP SCREW 1/4-20 X 1
59	X1740059	TENSION ADJUSTMENT BOLT
60	X1740060	BUSHING SUPPORT
61	X1740061	PLATE
63	XPSS11	SET SCREW 1/4-20 X 1/4
64-1	X1740064-1	IDLER ROLLER
64V3	X1740064V3	DRIVE ROLLER V3.01.10
65-1	X1740065-1	TABLE
65-2	XPFH12	FLAT HD SCR 1/4-20 X 1
66	X1740066	CONVEYOR BELT
73	X1740073	BUSHING
74	X1740074	SCALE POINTER
76	XPW06	FLAT WASHER 1/4
77	XPS06	PHLP HD SCR 10-24 X 3/8
78	XPCAP01	CAP SCREW 1/4-20 X 5/8
79	XPW03	FLAT WASHER #10
83	XPCAP28M	CAP SCREW M6-1 X 15
95	X1740095	BUSHING
96	XPK12M	KEY 5 X 5 X 30
97	XP6003-2RS	BALL BEARING 6003-2RS
101	XPLN02	LOCK NUT 1/4-20
134	XPSS11	SET SCREW 1/4-20 X 1/4
137	XPS01	PHLP HD SCR 10-24 X 1/2
138	XPW03	FLAT WASHER #10

Labels & Cosmetics

⚠️ WARNING

Safety labels warn about machine hazards and how to prevent serious personal injury. The owner of this machine **MUST** maintain the original location and readability of all labels on this machine. If any label is removed or becomes unreadable, **REPLACE** that label before allowing machine to be operated again. Contact us at (360) 734-3482 or www.shopfoxtools.com to order new labels.



REF	PART #	DESCRIPTION
55	X1740055	SPEED INDICATOR LABEL
121	D3375	SHOP FOX LOGO PLATE
122V2	X1740122V2	ID LABEL CSA V2.01.13
128	X1740128	TAPE BLACK/TAN TRIM
129	XLABEL-04	ELECTRICITY LABEL

REF	PART #	DESCRIPTION
130	XPPAINT-1	SHOP FOX WHITE TOUCH-UP PAINT
123V2	XLABEL-24B	DISCONNECT 110V LABEL 3.8W X 2H
124V2	XLABEL-06A	RESPIRATOR/GLASSES 1.5W X 2.5H
125V2	XLABEL-08A	READ MANUAL LABEL 2.8W X 1.5H