

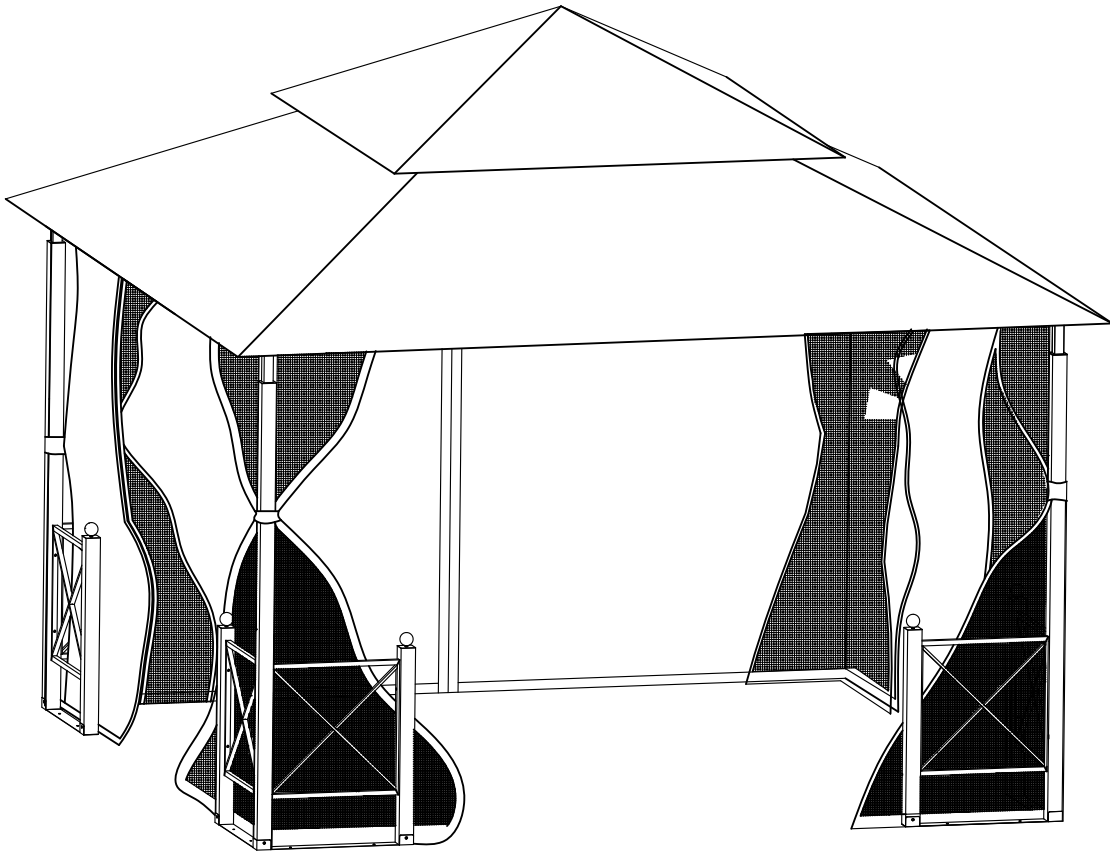
Item # 1000 131 505  
Model # GFS01250A

# HAMPTON BAY<sup>®</sup>

## USE AND CARE GUIDE

---

### HARBOR GAZEBO



Questions, problems, missing parts? Before returning to the store,  
call Hampton Bay Customer Service.  
8 a.m. - 7 p.m., EST, Monday - Friday, 9 a.m. - 6 p.m., EST, Saturday

**1-855-HD-HAMPTON**

**HAMPTONBAY.COM**

---

#### **THANK YOU**

*We appreciate the trust and confidence you have placed in Hampton Bay through the purchase of this gazebo. We strive to continually create quality products designed to enhance your home. Visit us online to see our full line of products available for your home improvement needs. Thank you for choosing Hampton Bay!*

# Table of Contents

Table of Contents .....	2	Pre-Assembly .....	3
Warranty .....	2	Planning Assembly .....	3
What is Covered .....	2	Hardware Included .....	3
What is Not Covered .....	2	Package Contents .....	4
Safety Information .....	2	Assembly .....	5
		Care and Cleaning .....	13

## Warranty

### 2 YEAR FRAME AND FABRIC WARRANTY

#### WHAT IS COVERED

We warrant the frame and fabric to be free of manufacturing defects to the original purchaser for two years.

#### WHAT IS NOT COVERED

It remains the customer's responsibility for freight and package charges to and from our service center. This warranty does not cover commercial use, hardware, acts of nature, fire, freezing and abusive use. In addition, purchased parts are not covered under this warranty. We reserve the right to make the substitutions with similar merchandise, if the model in question is no longer in production.

Contact the Customer Service Team at 1-855-HD-HAMPTON or visit [www.HamptonBay.com](http://www.HamptonBay.com)

## Safety Information



**WARNING:** Keep all flame and heat sources away from this gazebo fabric.



**WARNING:** This application of any foreign substance to the gazebo fabric may render the flame resistant properties ineffective.



**WARNING:** This gazebo is made with fabric that meets CPAI - 84 specifications for flame resistance. It is not fire proof. The fabric will burn if left continuous contact with any flame source.



**CAUTION:** This gazebo is made for the explicit purpose of providing limited outdoor sunshade and is not to be used as a toy, shelter, or tent.



**CAUTION:** Do not locate the gazebo near any open flame.



**CAUTION:** Do not use the gazebo as a support.



**CAUTION:** Do not shake, lean, or climb on the gazebo.



**CAUTION:** Children under the age of 10 who are near the gazebo should be supervised by a competent adult at all times.

# Pre-Assembly

## PLANNING ASSEMBLY

Read all instructions before assembly.

To avoid damaging this product, assemble it on a soft, non-abrasive surface such as carpet or cardboard.

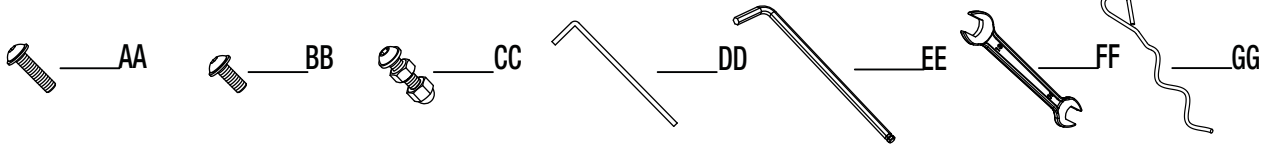


**NOTE:** More than one person may be required to assemble this product.

## HARDWARE INCLUDED



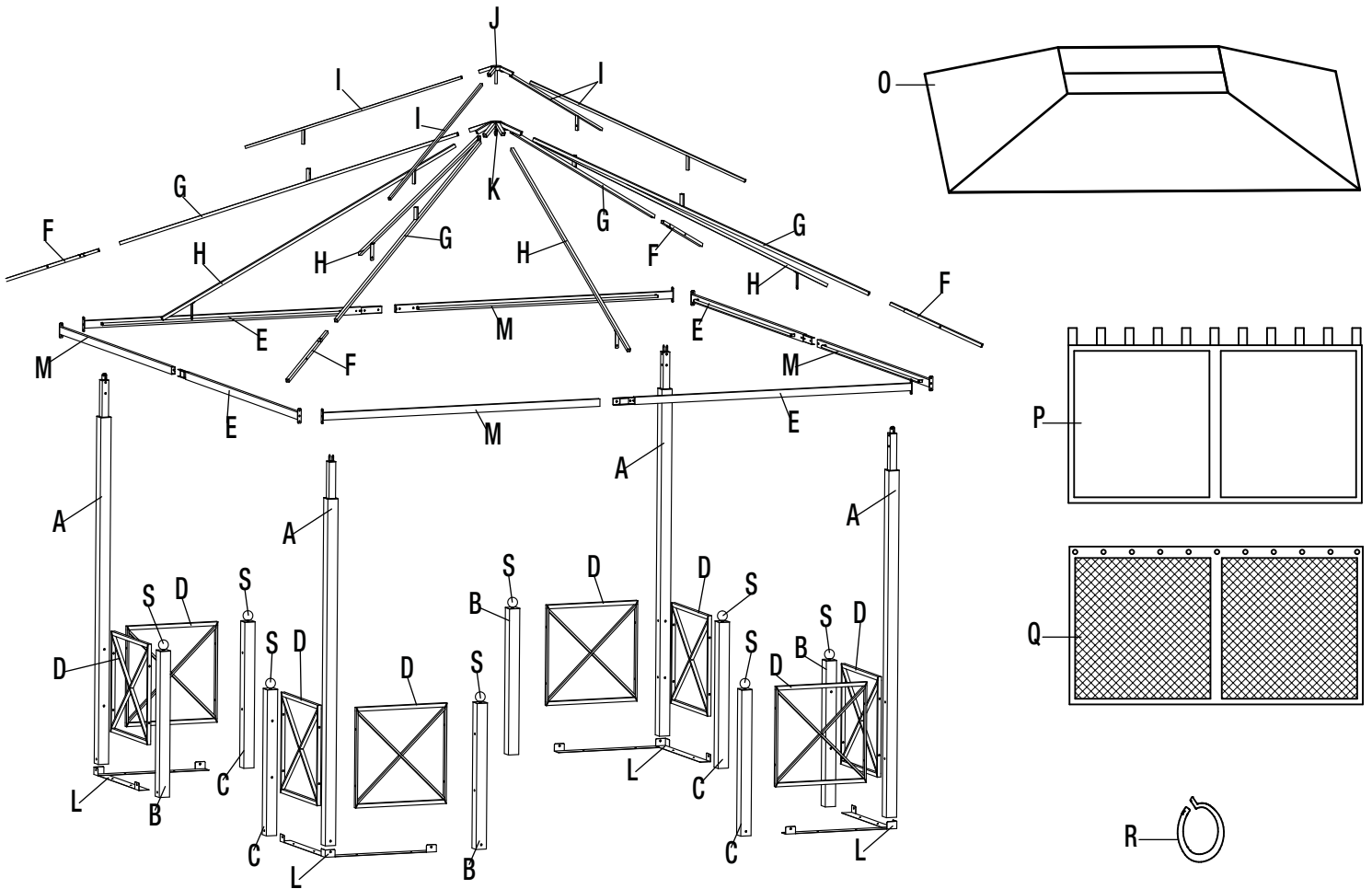
**NOTE:** Hardware not shown to actual size.



Part	Description	Quantity
AA	M6x25 combination bolt	32+1
BB	M6x15 combination bolt	40+1
CC	M6x28 combination bolt, nut and cap	4+1
DD	Ground spike	8+1
EE	Hex wrench	2
FF	Wrench	1
GG	Corkscrew ground spike	8+1

# Pre-Assembly (continued)

## PACKAGE CONTENTS



Part	Description	Quantity
A	Pillar A	4
B	Pillar B	4
C	Pillar C	4
D	Panel	8
E	Beam E	4
F	Top tube F	4
G	Top tube G	4
H	Short canopy spoke	4
I	Upper canopy spoke	4

Part	Description	Quantity
J	Upper canopy hub J	1
K	Lower canopy hub K	1
L	Foot edge	4
M	Beam M	4
N	Small fabric cover	1
O	Large fabric cover	1
P	Side wall	2
Q	Netting	4
R	Plastic ring	40
S	Decorative ball	8

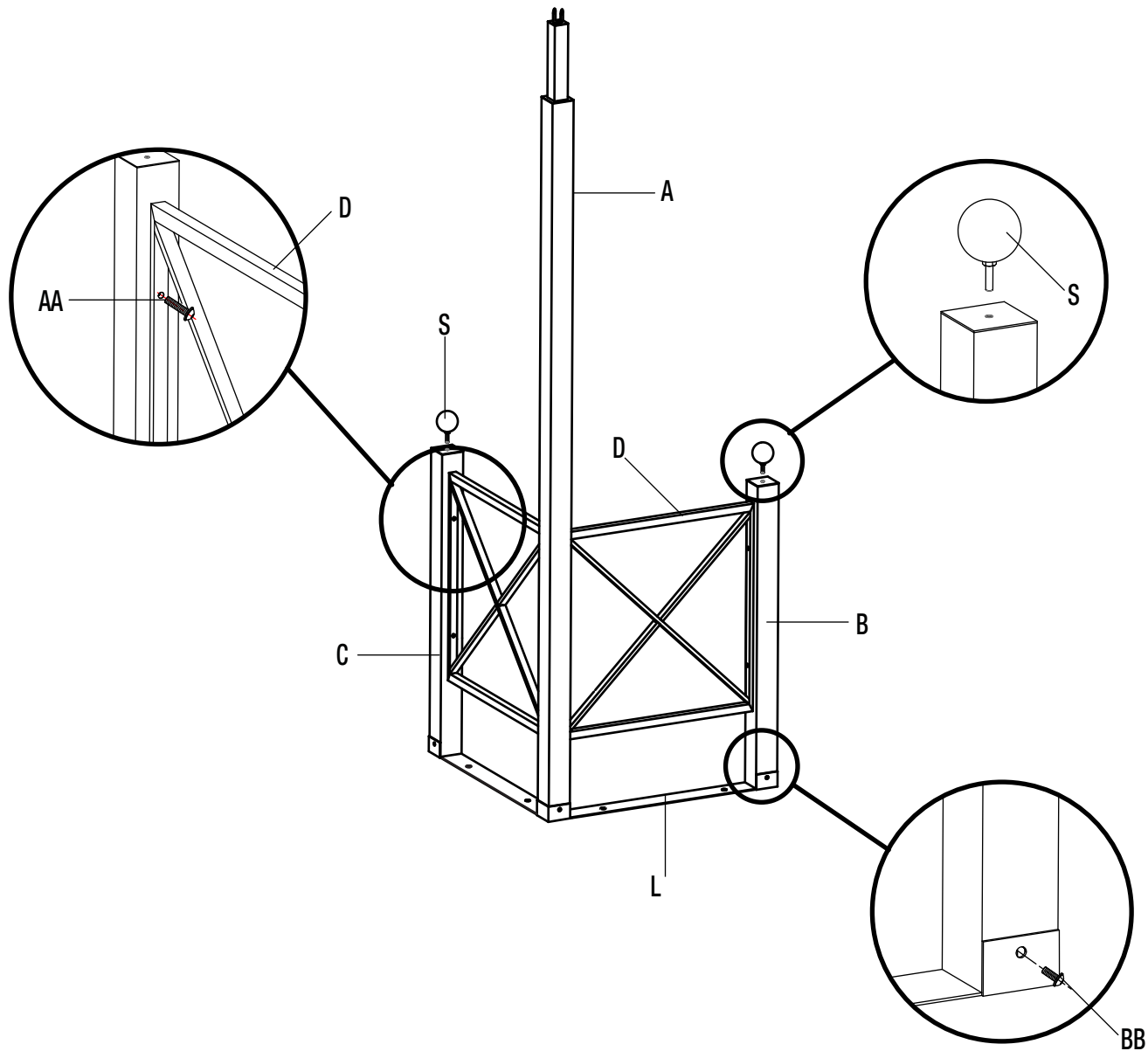
# Assembly

## 1 Assembling the corner pillars

- Screw the decorative balls (S) onto the top of the pillars (B and C).
- Line up the bolt holes on the pillar (A, B, and C) with corresponding bolt holes on the panels (D).
- Attach the panels (D) to the pillars (A, B, and C) using M6x25 combination bolts (AA).
- Attach the foot edge (L) to pillars (A, B, and C) using M6x15 combination bolts (BB).
- Repeat step 1 for the remaining sets of pillars (A, B, and C), panels (D), and foot edges (L).



**NOTE:** Loosely tighten all bolts using the Hex wrench (EE).



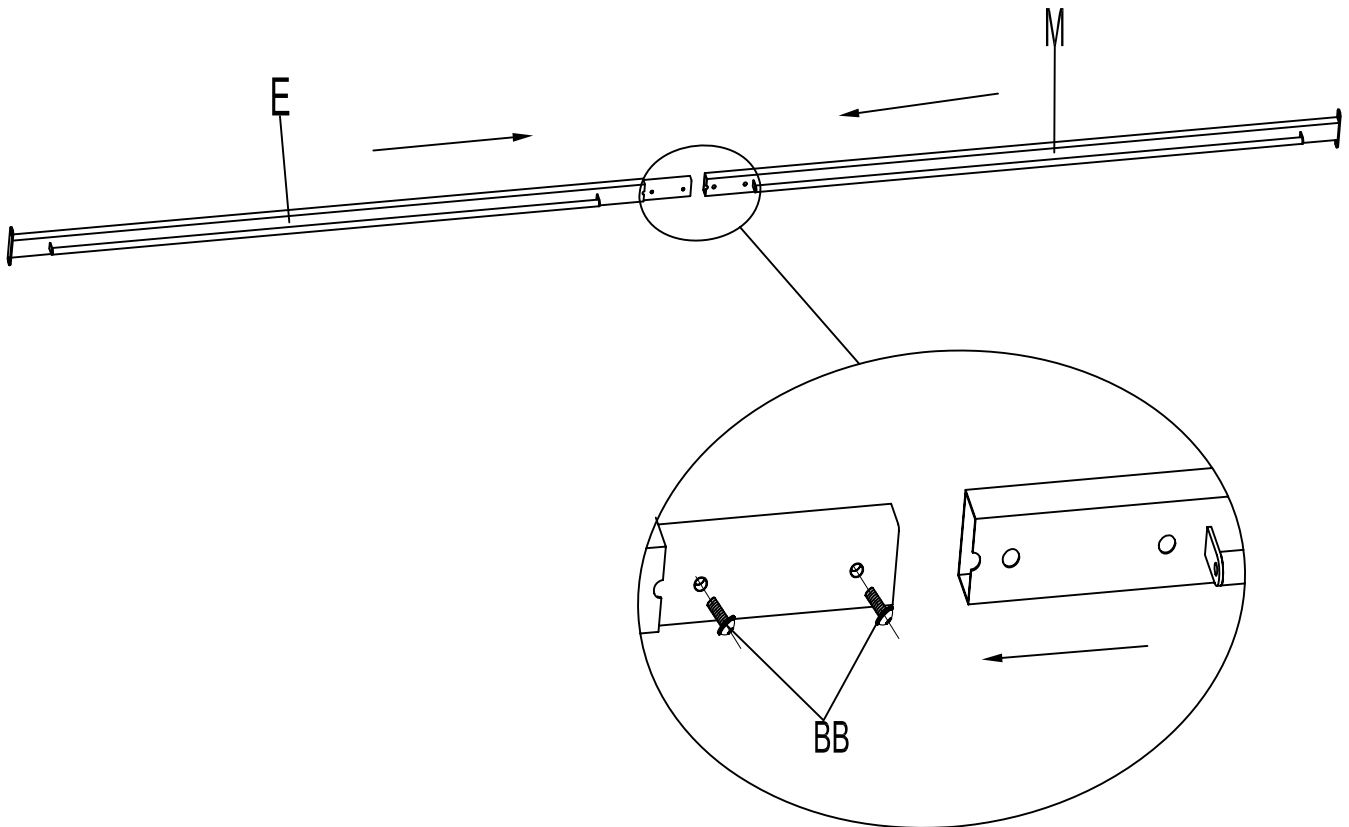
# Assembly (continued)

## 2 Attaching the beams

- Insert beam (E) into beam (M) and line up the bolt holes.
- Secure beam (E) to beam (M) using M6x15 combination bolts (BB).
- Repeat step 2 for the remaining sets of beams (E and M).



**NOTE:** Loosely tighten all bolts using the Hex wrench (EE).



## Assembly (continued)

### 3 Attaching the beams to the pillars

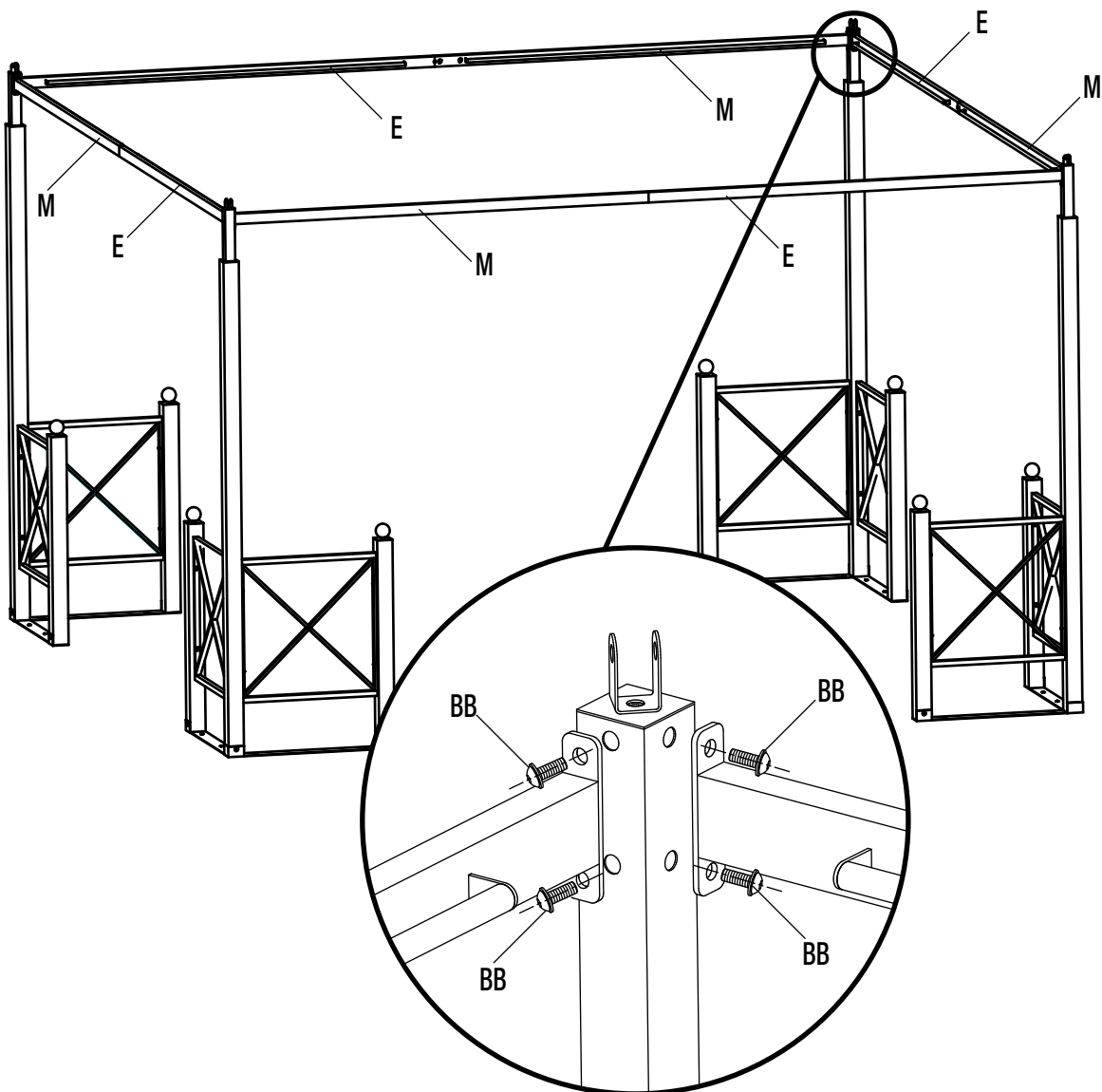
- Line up the bolt holes on the ends of the connected beams (E and M) with the corresponding bolt holes on the pillars (A).
- Attach the connected beams (E and M) using M6x15 combination bolts (BB).



**NOTE:** Make sure that the round tubes on the beams are facing inward.



**NOTE:** Loosely tighten all bolts using the Hex wrench (EE).



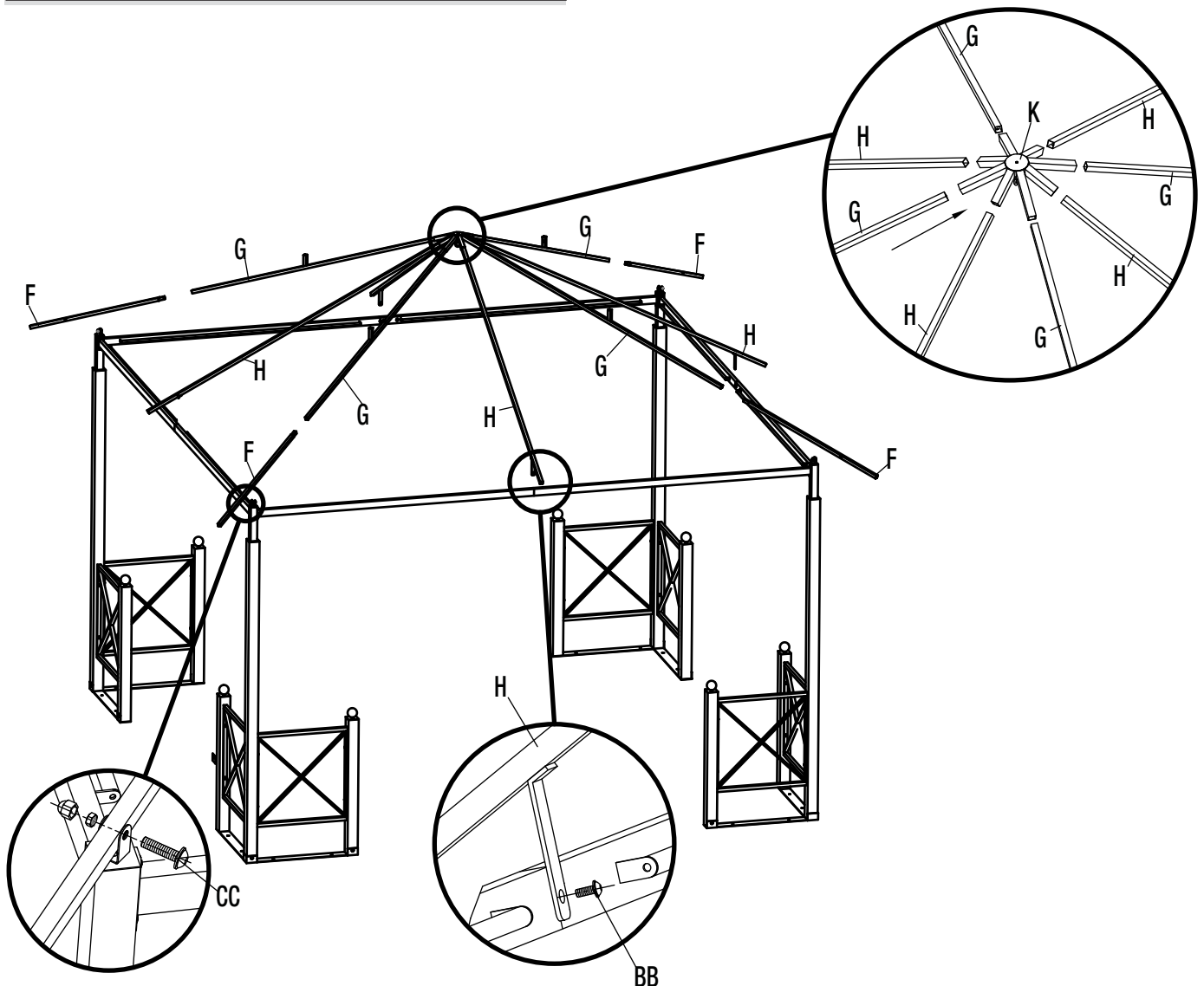
# Assembly (continued)

## 4 Assembling the upper canopy frame

- Insert the top tubes (F) into the top tubes (G) making four long canopy spokes.
- Insert the four top tubes (G), of the long canopy spokes, into the four long tubes of the canopy hub (K).
- Insert the short canopy spokes (H) into the four short tubes of the lower canopy hub (K).
- Attach the four top tubes (F), of the long canopy spokes, to the pillars (A) using M6x28 combination bolts, nuts and caps (CC) the bolt should be inserted from the right side to the left side of the tube (F).
- Attach the four short canopy spokes (H) to beams (E and M) using M6x15 combination bolts (BB).



**NOTE:** Tighten all bolts using the Hex wrench (EE) and Wrench (FF)

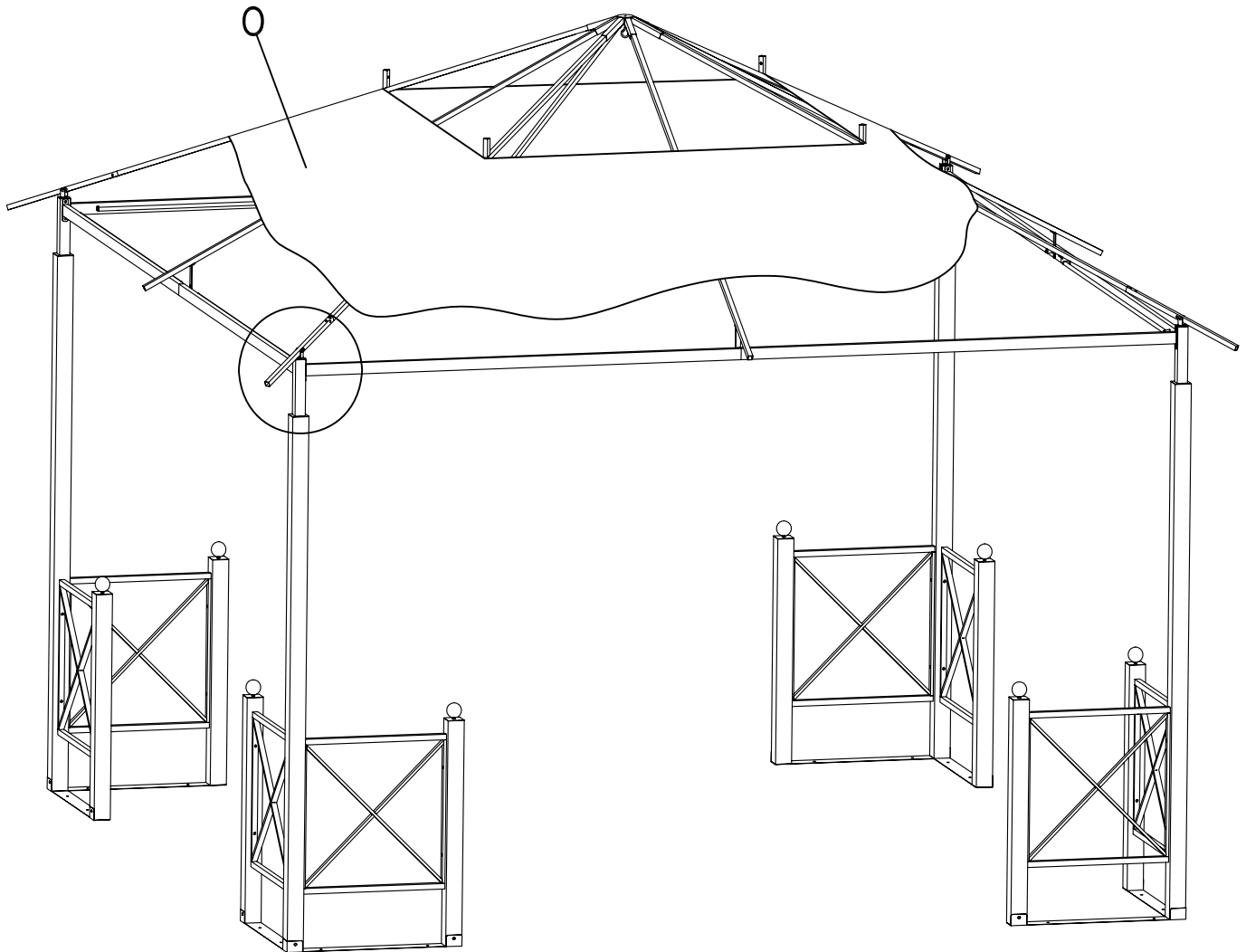




## Assembly (continued)

### 5 Placing the large fabric cover

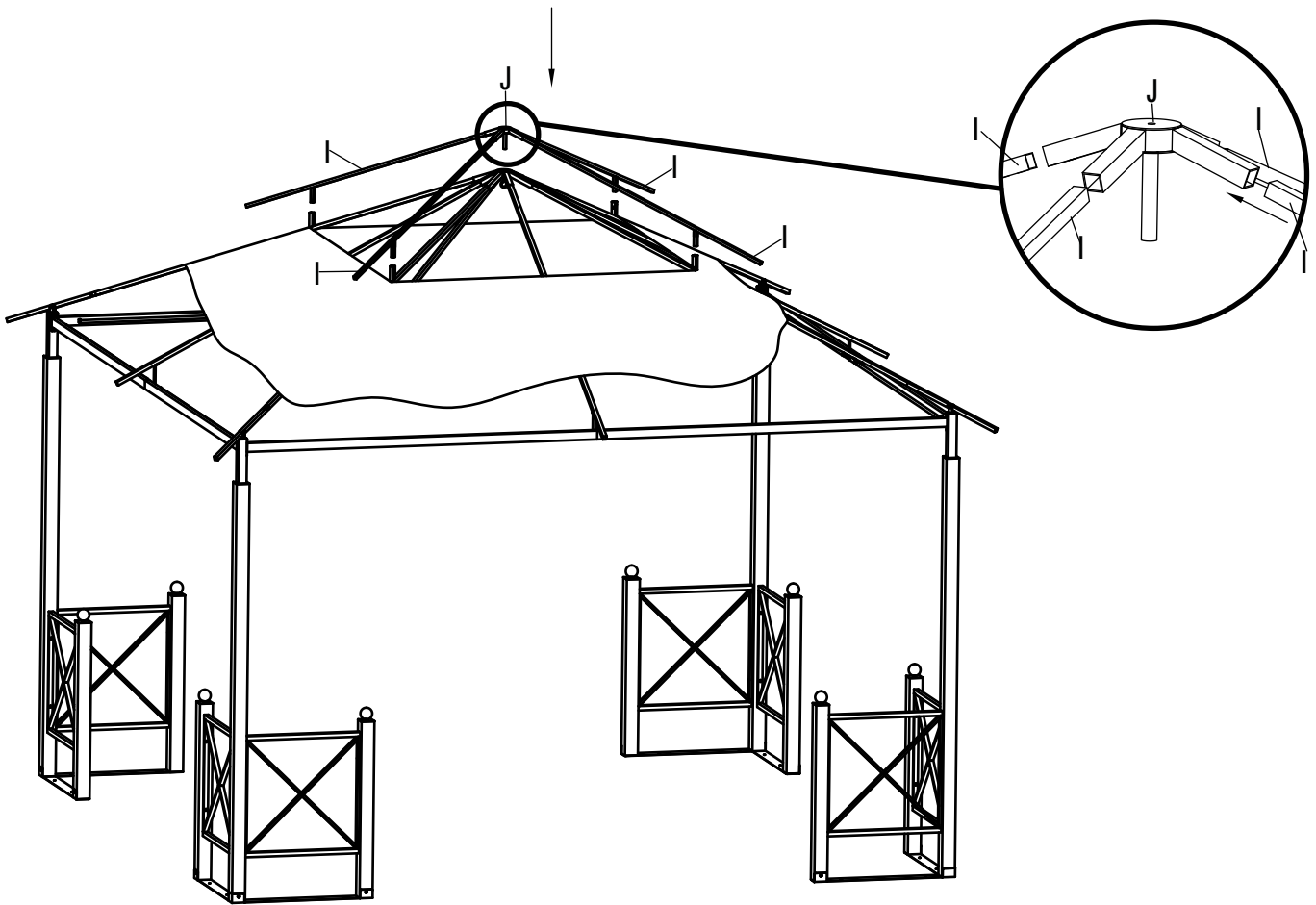
- Place the large fabric cover (O) on top of the assembled frame.
- Fully extend the large fabric cover (O) to the end of the spokes.



## Assembly (continued)

### 6 Assembling the upper canopy frame

- Insert the upper canopy spokes (I) into the upper canopy hub (J).
- Then insert the upper canopy spokes (I) into each of the top tubes (G).



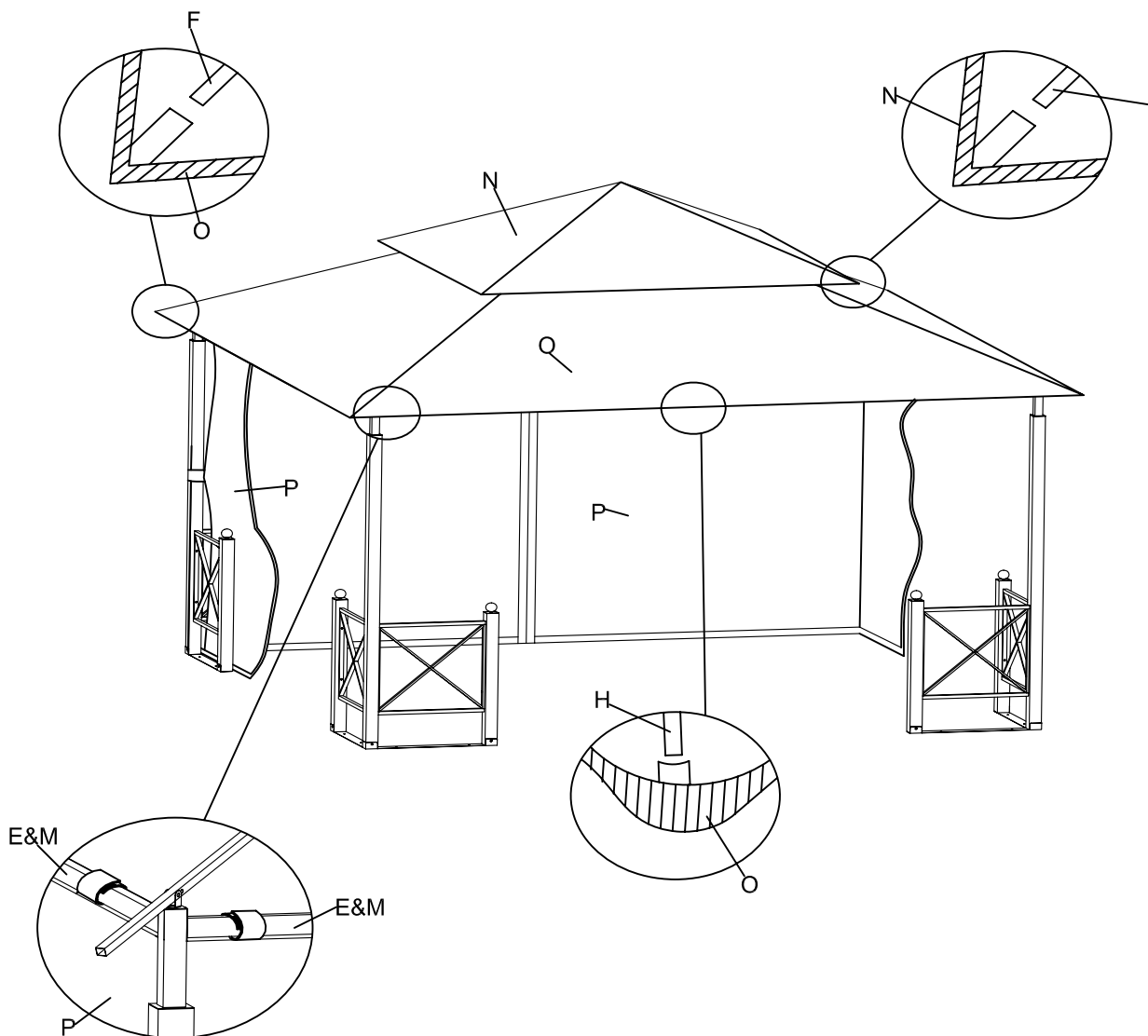
# Assembly (continued)

## 7 Securing the canopy top and attaching the side walls

- Place the small fabric cover (N) on the upper canopy spokes (I) and fully extend the small fabric cover to the ends of the upper canopy spokes (I).
- Put up the two side walls (P) on the beams (E and M) by affixing the Velcro



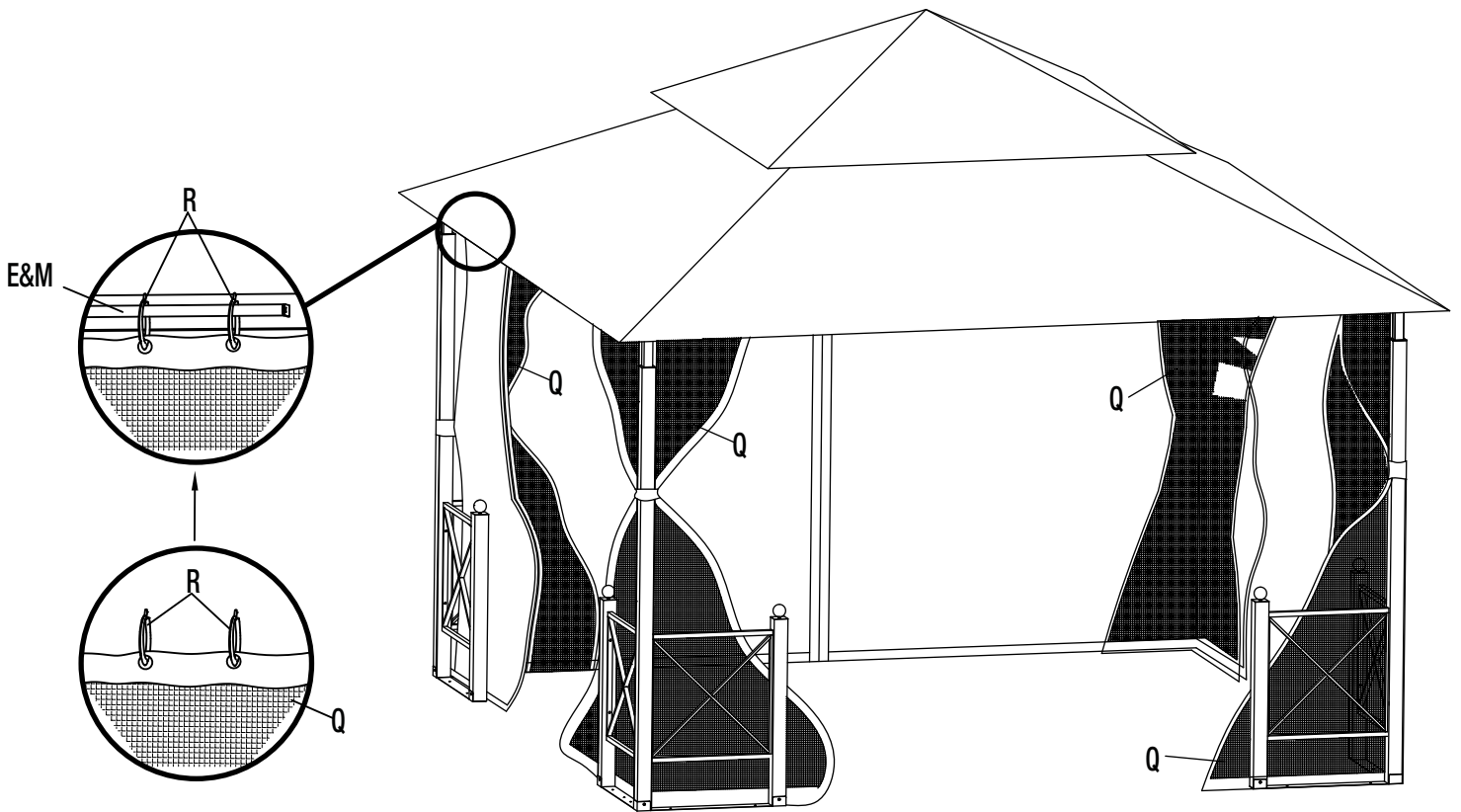
**NOTE:** The harbor gazebo package includes two privacy side walls designed to cover two corners of the gazebo.



# Assembly (continued)

## 8 Hanging the netting

- Put up the netting (Q) onto the beams (E and M) with the plastic rings (R).



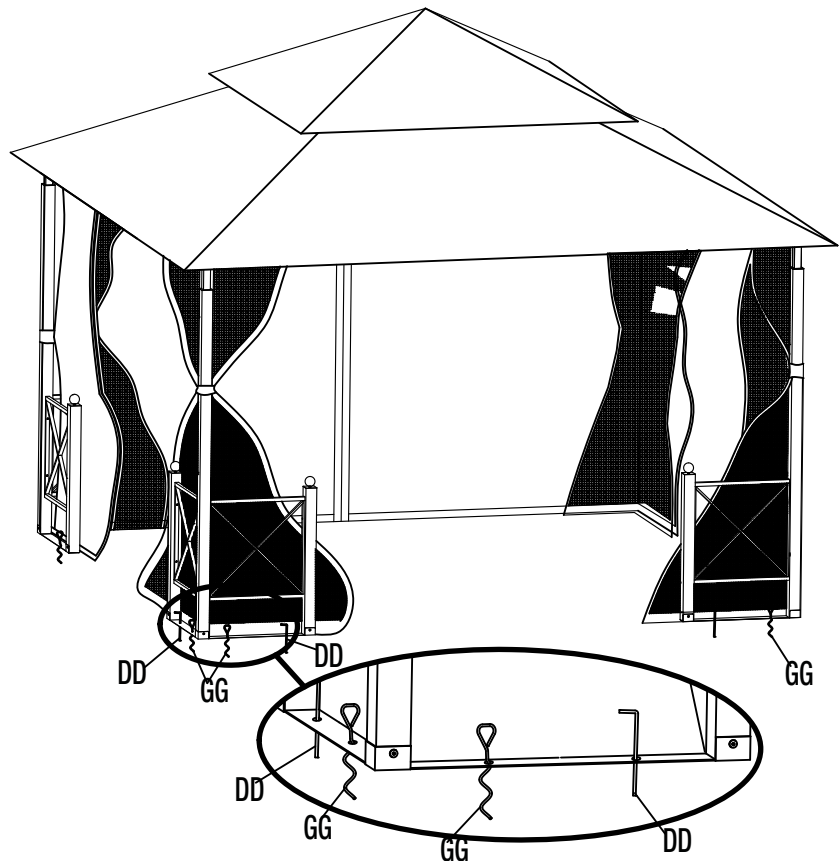
## Assembly (continued)

### 9 Stabilizing the gazebo

- Insert the corkscrew ground spikes (GG) through the hole on the foot edge (L) of the connected pillars (A, B, and C).
- Twist the corkscrew ground spikes down into the ground until the foot edge (L) is secure.
- Pound the ground spikes (DD) through the other hole of foot edge (L) of the connected pillars (A, B, and C) until the ground spikes (DD) secures the foot edge (L) to the ground.
- Repeat this step for the other three pillars (A, B, and C).



**NOTE:** You may opt to insert a ground spike (DD) through the loop in the corkscrew ground spike (GG) to assist in twisting the corkscrew ground spike (GG) into the ground.



## Care and Cleaning

- For the best results, clean the frame with a damp cloth and dry thoroughly. This will help prevent mildew by removing dirt particles that may accumulate.
- Do not clean with abrasive materials, bleach, or solvents.
- Store the gazebo in a dry, sheltered place when not in use.
- Keep the gazebo out of fire, extreme heat, freezing conditions, and inclement weather such as rain, hail, sleet, snow, or wind.

# HAMPTON BAY®

Questions, problems, missing parts? Before returning to the store,  
call Hampton Bay Customer Service.  
8 a.m. - 7 p.m., EST, Monday - Friday, 9 a.m. - 6 p.m., EST, Saturday

**1-855-HD-HAMPTON**

**HAMPTONBAY.COM**

Retain this manual for future use.