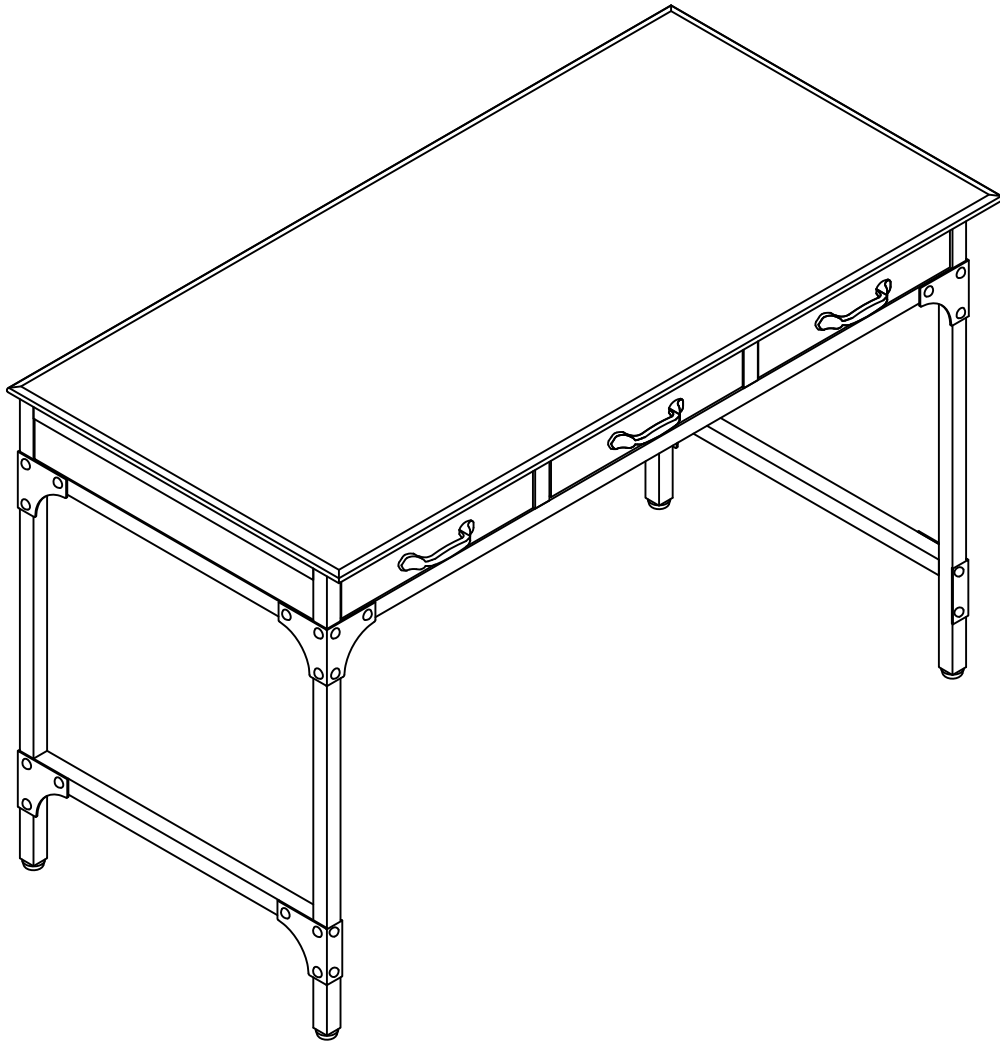


HOME

DECORATORS
COLLECTION

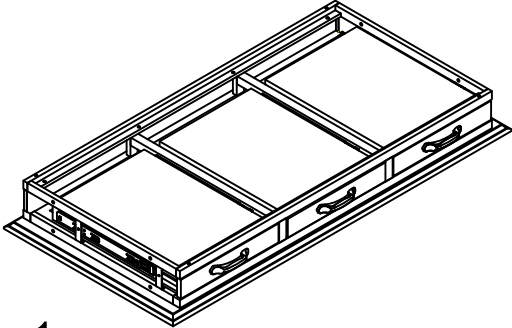
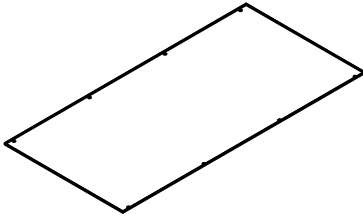


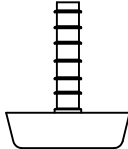

INV#9460800210
AMBROSE PETITE DESK 30"Hx48"Wx24"D
ASSEMBLY INSTRUCTIONS

Made in China

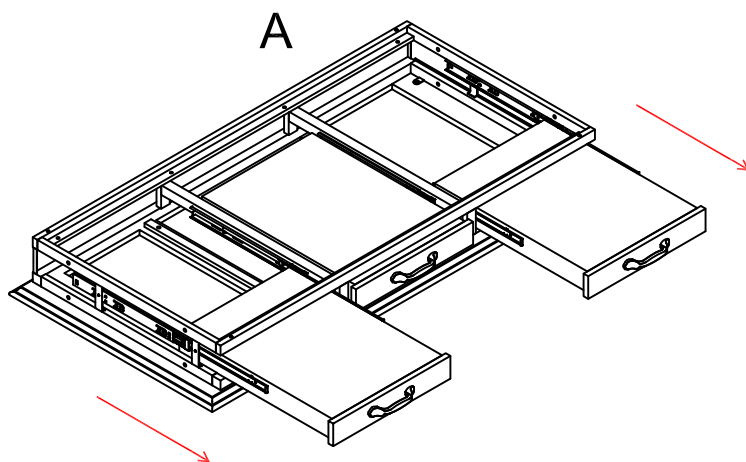


Thank you for purchasing this quality product. Be sure to check all packing material carefully for small parts, which may have come loose inside the carton during shipment. Count all parts and material hardware, then compare with parts list to be sure all parts are present. If any parts are missing or damaged, please contact our Customer Service Department for efficient and speedy service. Please indicate the model number and code letter of part(s) needed.

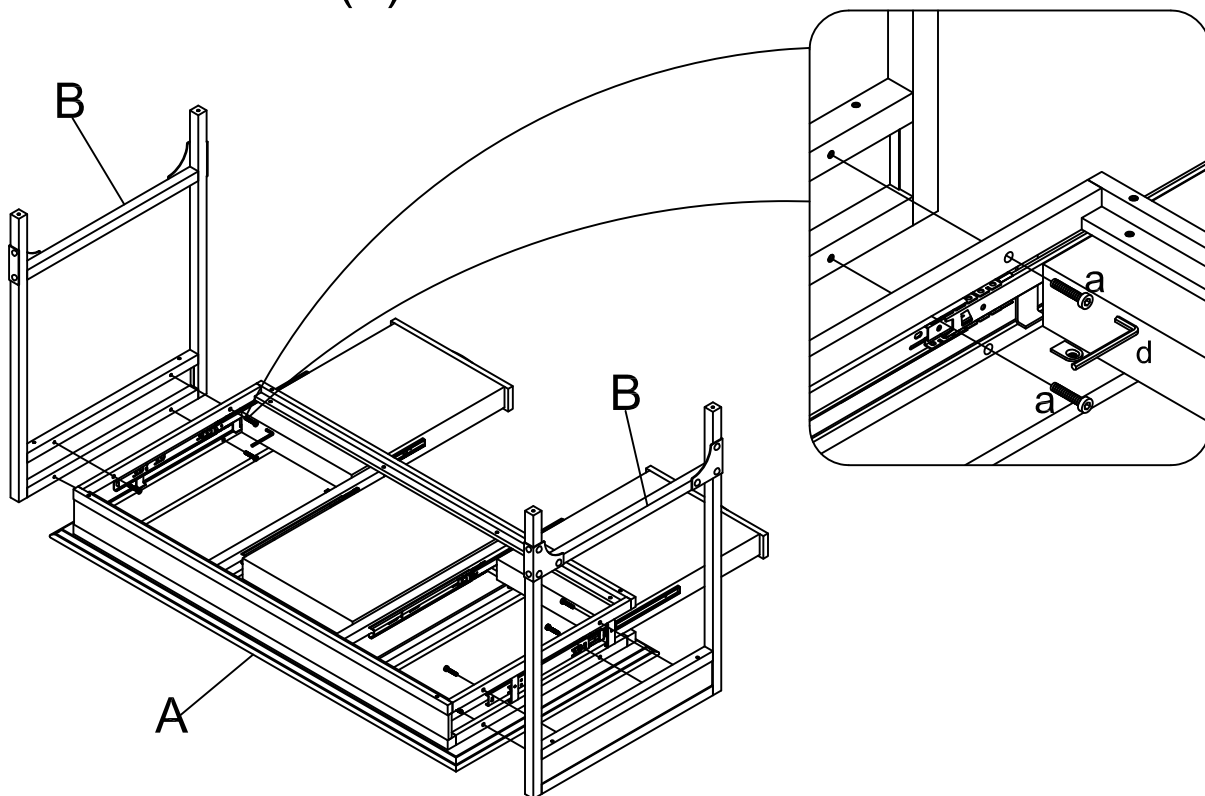
IMPORTANT NOTE: Follow instructions listed below in proper sequence as numbered to assure fast, easy and correct assembly.

PARTS LIST			
A			B
Table Top 1 pc		Side Panel -2 pcs	
C			D
Bottom Panel- 1 pc		L Bracket- 4 pcs	
a	b	c	d
			
Long Allen Bolt (1/4"*1") 16 PCS	Short Allen Bolt (1/4"*3/8") 8PCS	Adjustable Leveler (Ø29*1/4") 4 PCS	ALLEN WRENCH 1PC

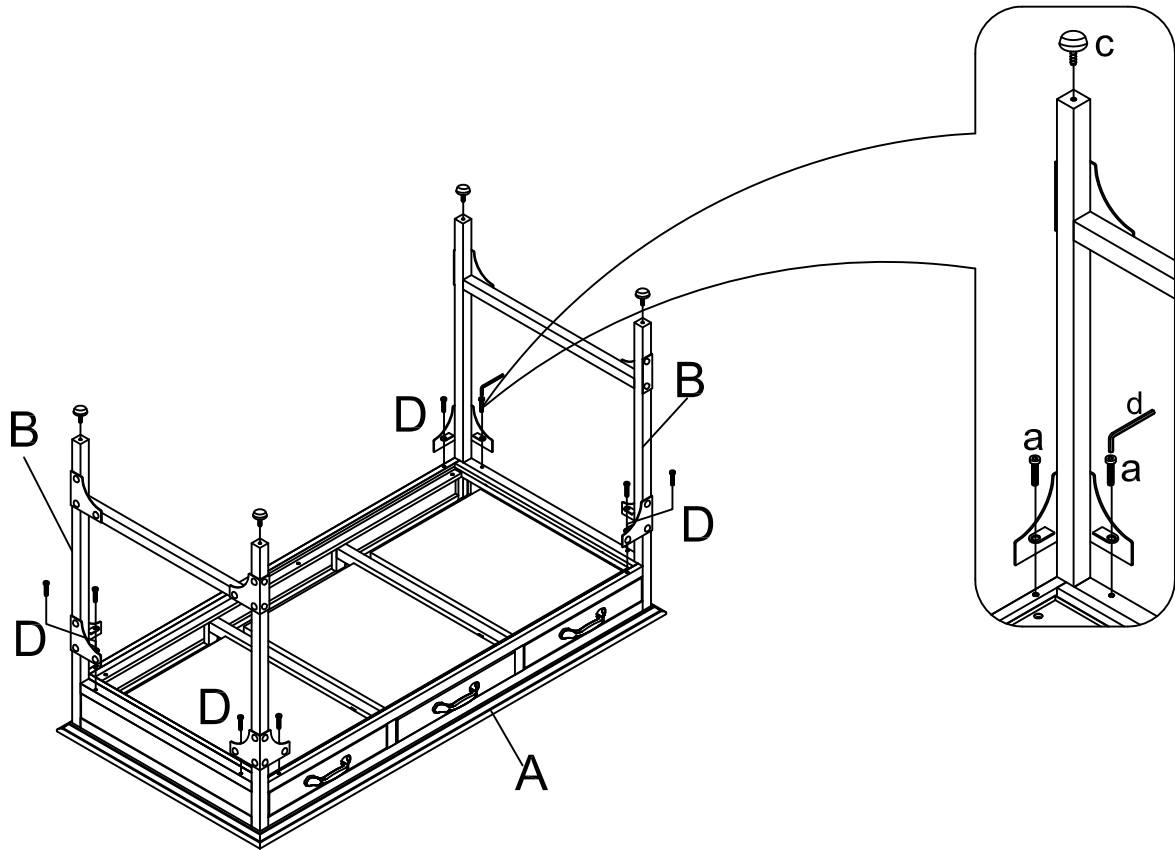
Step 1 Place the Table (A) upside down on a smooth, clean, and soft surface.



Step 2: Attach Side Panels (B) to Table top (A) with Long Allen Bolts (a).



Step 3: Attach L Bracket (D) to Side Panel (B) with Short Bolts (b). Then assemble the adjustable leveler (C) to bottom of Side Panels (B).



Step 4: Attach the Bottom Panel (C) to Table Top (A) with Short Allen Bolts (b).

