



FOODI™ MIX & BLEND SYSTEM CI100 Series | Owner's Guide

IMPORTANT SAFETY INSTRUCTIONS

PLEASE READ CAREFULLY BEFORE USE • FOR HOUSEHOLD USE ONLY

	Read and review instructions for operation and use.
	Indicates the presence of a hazard that can cause personal injury, death or substantial property damage if the warning included with this symbol is ignored.
	For indoor and household use only.
When using electrical appliances, basic safety precautions should always be followed, including the following:	

WARNING

To reduce the risk of injury, fire, electrical shock or property damage, basic safety precautions must always be followed, including the following numbered warnings and subsequent instructions. Do not use appliance for other than intended use.

- 1 Read all instructions prior to using the appliance and its accessories.
- 2 Carefully observe and follow all warnings and instructions. This unit contains electrical connections and moving parts that potentially present risk to the user.
- 3 **ALWAYS** exercise care when handling the immersion blender attachment. The blades are sharp, handle carefully. **ONLY** grasp the immersion blender attachment by the upper bell or shaft. Failure to use care when handling the immersion blender attachment will result in a risk of laceration.
- 4 **ALWAYS** exercise care when handling the chopping blades. The blades are sharp, handle carefully. **ONLY** grasp the chopping blade by the shaft. Failure to use care when handling the chopping blade will result in a risk of laceration.
- 5 Blades are sharp. Handle carefully.
- 6 Before each use, inspect blades for damage. If a blade is bent or damage is suspected, contact SharkNinja to arrange for replacement.
- 7 **DO NOT** attempt to sharpen blades.
- 8 Take your time and exercise care during unpacking and appliance setup. This appliance contains sharp, loose blades that can cause injury if mishandled.
- 9 Take inventory of all contents to ensure you have all parts needed to properly and safely operate your appliance.
- 10 Unplug the appliance from the outlet when not in use, before assembling or disassembling parts, and before cleaning. To unplug, grasp the plug by the body and pull from the outlet. **NEVER** unplug by grasping and pulling the flexible cord.
- 11 Before use, wash all parts that may contact food. Follow washing instructions covered in this instruction manual.
- 12 To protect against the risk of electric shock, **DO NOT** submerge the appliance or allow the power cord to contact any form of liquid. Unplug the power base before cleaning.
- 13 Remove any accessories from the hand mixer attachment before washing.
- 14 **DO NOT** use this appliance outdoors. It is designed for indoor household use only.

IMPORTANT SAFETY INSTRUCTIONS

PLEASE READ CAREFULLY BEFORE USE • FOR HOUSEHOLD USE ONLY

⚠ WARNING

To reduce the risk of injury, fire, electrical shock or property damage, basic safety precautions must always be followed, including the following numbered warnings and subsequent instructions. Do not use appliance for other than intended use.

- 15 This appliance has important markings on the plug. The attachment plug or entire cordset (if plug is molded onto cord) is not suitable for replacement. If damaged, the appliance shall be replaced.
- 16 This appliance has a polarized plug (one prong is wider than the other). To reduce the risk of electric shock, this plug will fit in a polarized outlet only one way. If the plug does not fit fully in the outlet, reverse the plug. If it still does not fit, contact a qualified electrician. DO NOT modify the plug in any way.
- 17 **DO NOT** operate any appliance with a damaged cord or plug, or after the appliance malfunctions or is dropped or damaged in any manner. This appliance has no user-serviceable parts. If damaged, contact SharkNinja for servicing.
- 18 Extension cords should **NOT** be used with this appliance.
- 19 **DO NOT** allow children to operate this appliance or use as a toy. Close supervision is necessary when any appliance is used near children.
- 20 This appliance is **NOT** intended to be used by people with reduced physical, sensory, or mental capabilities, or lack of experience and knowledge, unless they have been given supervision or instruction concerning use of the appliance by a person responsible for their safety.
- 21 Fully unwind the power cord before use. **DO NOT** allow the unit or the cord to hang over the edges of tables or counters. The cord may become snagged and pull the appliance off the work surface.
- 22 **DO NOT** allow any part of the unit to contact hot surfaces, including stoves and other heating appliances.
- 23 **ALWAYS** use the appliance on a dry and level surface.
- 24 Keep hands, hair, and clothing out of the container when loading and operating.
- 25 **ONLY** use attachments and accessories that are provided with the product or are recommended by SharkNinja. The use of attachments not recommended or sold by SharkNinja may cause fire, electric shock, or injury.
- 26 During operation and handling of the appliance, avoid contact with moving parts.
- 27 **DO NOT** operate the appliance with an empty container.
- 28 **DO NOT** fill containers past the MAX FILL or MAX LIQUID lines.
- 29 **DO NOT** microwave any containers or accessories provided with the appliance, except the blending pitcher. The pitcher can be microwaved.
- 30 **DO NOT** microwave the blending pitcher for more than 8 minutes at a time. Wait until cooled before microwaving again.
- 31 **DO NOT** perform grinding operations.
- 32 Before operation, ensure all utensils are removed from containers. Failure to remove utensils can cause containers to shatter and potentially result in personal injury and property damage.
- 33 **NEVER** operate the chopper attachment without the lid in place. DO NOT attempt to defeat the interlock mechanism. Ensure the container and lid are properly installed before operation.
- 34 **DO NOT** expose the containers and accessories to extreme temperature changes. They may experience damage.
- 35 **NEVER** leave the appliance unattended while in use.
- 36 **DO NOT** blend hot liquids. Doing so may result in pressure buildup and steam exposure that can pose a risk of the user being burned. Do not blend without drizzle cap securely in place.
- 37 If you find unmixed ingredients sticking to the sides of the bowl, stop the appliance, remove the blade assembly, and use a scraper to dislodge ingredients.

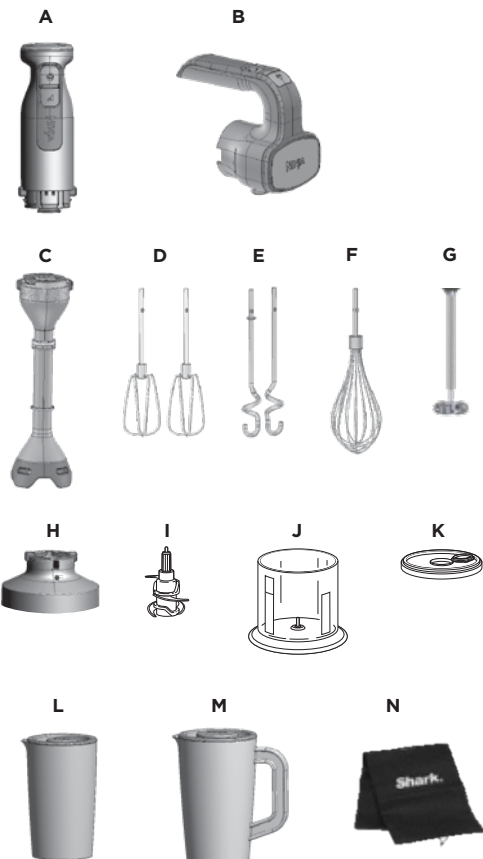
SAVE THESE INSTRUCTIONS

- 38 **DO NOT** remove the power base and lid while the chopping blade is still spinning. Allow the appliance to come to a complete stop before removing the power base and lid.
- 39 Remove the chopping blades from the chopper bowl upon completion of processing. **DO NOT** store ingredients before or after processing them in the bowl with the blades attached. Some foods may contain active ingredients or release gases that will expand if left in a sealed container, resulting in excessive pressure buildup that can pose a risk of injury. For ingredient storage in the pitcher, use only the provided lid.
- 40 **DO NOT** process dry ingredients without adding liquid to the immersion blender, chopper, or frother attachments. They are not intended for dry blending.
- 41 Keep hands and utensils out of containers while processing to reduce the risk of severe personal injury or damage to the unit. A scraper may be used **ONLY** when the processor is not running.
- 42 Immediately release the power button on the power base in the event that the appliance malfunctions during use.
- 43 Make sure that the chopper lid is securely attached to the chopper bowl before operating the chopper attachment.
- 44 Make sure that the power base is securely attached to the hand mixer attachment, immersion blender attachment, chopper assembly or frother attachment before processing.
- 45 Always ensure the hand mixer accessories are fitted securely in place into the hand mixer attachment before processing.
- 46 **DO NOT** use containers if they are cracked or chipped.
- 47 **DO NOT** exceed 40 g of chopped meat, 70 g of chopped Parmesan, 160 g of chopped dry soybeans, and 65 g of chopped baking chocolate. Operating time should **NOT** exceed 15 seconds.
- 48 To avoid contact with steam and hot surfaces, **DO NOT** reach across top of vessel in which you are frothing.
- 49 If the appliance overheats, a thermal switch will activate and temporarily disable the motor. To reset, unplug the appliance and allow it to cool for approximately 15 minutes before using again.
- 50 The maximum wattage rating for this appliance is based on the configuration of the power base and immersion blender attachment.. Other configurations may draw less power or current.

PARTS

NOTE: Attachments and accessories vary by model.

- A Power Base
(attached power cord not shown)
- B Hand Mixer Attachment
- C Immersion Blender Attachment
- D Beater x2
- E Dough Hook* x2
- F Whisk*
- G Frother Whisk*
- H Chopper Processing Lid*
- I Chopping Blade Assembly*
- J 3-Cup Chopping Bowl*
- K Chopper Storage Lid*
- L 24 oz Blending Jar*
- M 32 oz Blending Jar*
- N Storage Bag*



*Not included with all models

There are a variety of accessories that are compatible with this blender series.

To purchase more accessories and find great recipes, visit ninjakitchen.com.

BEFORE FIRST USE

IMPORTANT: Review all warnings before proceeding

NOTE: Attachments and accessories vary by model.

- 1 Remove all packaging materials from the unit. Exercise care when unpacking the immersion blender attachment and chopping blades (not available with all models).
- 2 Wash immersion blender attachment, beaters, dough hooks, whisk, chopping bowl, storage lid, and blade assembly in warm, soapy water. Use a dishwashing utensil with a handle to avoid direct contact with the blades on the immersion blender attachment and the chopping blades. Exercise care when handling blade assemblies, as blades are sharp.
- 3 Wipe the power base, hand mixing attachment and chopper processing lid with a clean, damp cloth.
- 4 Thoroughly rinse and air-dry all parts.

CONTROL PANEL

IMPORTANT: Review all warnings before proceeding

USING THE HAND MIXER CONTROL PANEL

- 1 **EJECT**
Push the eject button to remove the beaters or other accessory.
- 2 **SPEED RANGE INDICATOR**
LEDs illuminate to indicate speed settings one through five.
- 3 **TURBO**
Press and **hold** the turbo button to quickly jump to speed 5.
- 4 **POWER**
Press power to turn the unit on or off.
- 4 **SPEED SELECTOR**
Increase or decrease speed by pressing the up and down arrow buttons.



USING THE IMMERSION BLENDER CONTROL PANEL

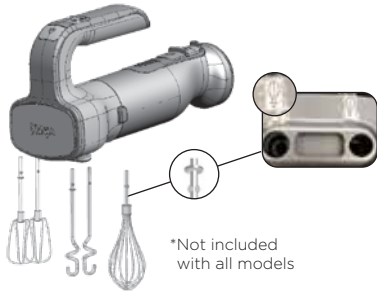
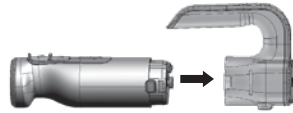
- 1 **POWER**
Press power and hold the power button blend. The unit will not blend unless the power button is pressed down.
- 2 **SPEED SELECTOR**
Press to adjust the speed between low and high.



HAND MIXER ATTACHMENT ASSEMBLY (not included with all models)

IMPORTANT: Review all warnings before proceeding

- 1 Install the hand mixer attachment to the power base by aligning the arrow on the power base with the arrow on the mixer attachment. Then, push the power base onto the attachment to lock into place.



- 2 Attach both beaters, both dough hooks, or the whisk using the accessory slots on the mixer head. If using the beaters or dough hooks, match the beater or dough hook that has the collar to the hole on the hand mixer with the symbol of the collar.

- 3 Plug the unit in and power on. Use the speed selector to increase or decrease speed.

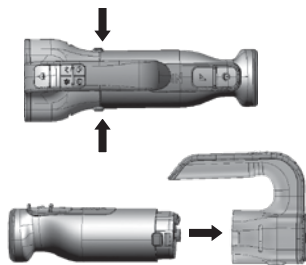
Speeds 1 & 2	Use speeds 1-2 when mixing dry ingredients, such as flour, into liquid ingredients and when making thicker doughs, such as bread doughs.
Speeds 3 & 4	Use speeds 3-4 when making cookie doughs, batters, quick breads, frostings and most other recipes.
Speed 5	Use speed 5 for whipping cream, mousse, or egg whites.
NOTE: Start on low speed, then slowly ramp up to prevent ingredients from splattering.	



- 4 To remove the beaters or other accessory, press the eject button.

- 5 To remove the power base from the hand mixer attachment, first press the power button to turn the unit off, then unplug the unit. Press and hold the release buttons on either side of the power base to remove the mixer attachment.

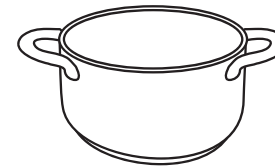
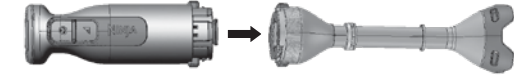
- 6 Refer to the Care & Maintenance section for cleaning and storage instructions.



IMMERSION BLENDER ATTACHMENT ASSEMBLY (not included with all models)

IMPORTANT: Review all warnings before proceeding

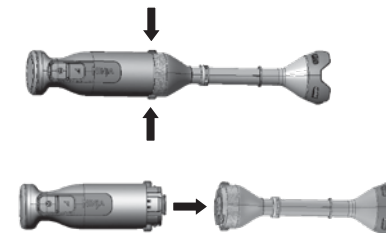
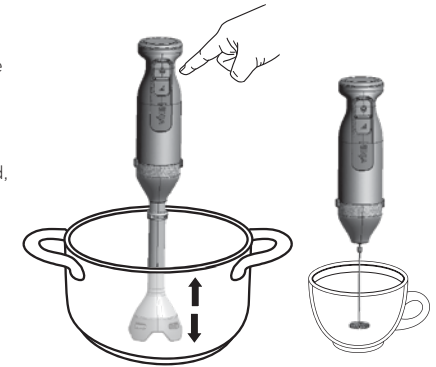
- 1 Install the immersion blender attachment or the frother whisk to the power base by aligning the arrow on the power base with the arrow on the immersion blender attachment. Then, push the power base onto the attachment to lock into place. Plug the unit in.



- 2 Prior to blending, ensure the container the ingredients will be blended in is large enough for the blender head or whisk to be fully submerged without filling the vessel above half full. A cooking pot or large measuring container is recommended.

- 3a If using the immersion blending attachment, submerge the vents of the blender head in the ingredients and tilt the blade forward away from yourself. Press and hold the power button while using an up and down motion to blend, making sure to stop blending anytime the vents are not submerged. To adjust speed, press the speed selector button to toggle between high and low speeds.

- 3b If using the frother, submerge the frother just below the surface of the liquid. Press and hold the power button while using an up and down motion. Froth for 30-45 seconds. The speed selector is disabled when the frother accessory is attached.



- 4 To remove the power base from the immersion blender attachment or frother, first unplug the unit. Press and hold the release buttons on either side of the power base to remove the immersion blender attachment.

- 5 Refer to the Care & Maintenance section for cleaning and storage instructions.

USING THE 3-CUP CHOPPER (not included with all models)

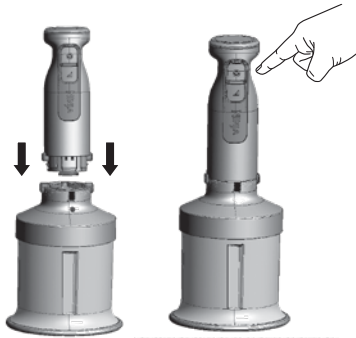
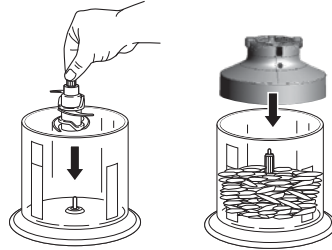
IMPORTANT:

- Review all warnings before proceeding.
- The processing lid is NOT dishwasher safe.

NOTE:

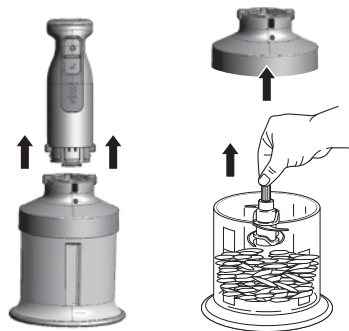
- **DO NOT** add ingredients before completing installation of the blade assembly.
- **DO NOT** operate the chopper continuously for more than 15 seconds at a time.

- 1 Place the chopper bowl on a clean, dry, level surface, such as a countertop or table.
- 2 Exercising care, grasp the blade assembly by the top of the shaft and place it onto the drive gear inside the chopper bowl.
- 3 Add ingredients to the chopper bowl, then place the processing lid on top of the bowl, aligning the lid with the grooves in the bowl. Ensure the lid is secure.



- 4 To attach the power base, align the ribs on the power base to the ribs on the processing lid. Plug the unit in.
- 5 Press and hold the power button to operate. Use short presses for short pulses and long presses for long pulses. The speed selector is disabled when using the chopper attachment.

- 6 When finished, unplug the unit. Remove the power base from the chopper attachment by pressing and holding the release buttons on either side of the power base and lifting up.
- 7 Remove the lid by lifting it up. Always remove the blade assembly before emptying ingredients from the bowl by carefully grasping it by the top of the shaft and lifting it out of the bowl.
- 8 **DO NOT** store blended contents with the blade assembly and processing lid attached. Only use the storage lid.
- 9 Refer to the Care & Maintenance section for cleaning and storage instructions.



CARE & MAINTENANCE

WARNING: Handle the chopping blade with care when washing, as the blades are sharp. Contact with the blade's edges can result in laceration.

CLEANING

• Hand-Washing

Wash immersion blender attachment, beaters, dough hooks, whisk, chopping bowl, storage lid and blade assembly in warm, soapy water. Use a dishwashing utensil with a handle to avoid direct contact with the blades on the immersion blender attachment and the chopping blades. Exercise care when handling blade assemblies, as blades are sharp. Thoroughly rinse and air-dry all parts.

• Dishwasher

All attachments, with the exception of the power base, hand mixer attachment and the chopping processing lid, are dishwasher safe.

• Motor Base

Unplug the power base before cleaning. Wipe the power base, hand mixing attachment, and chopper processing lid with a clean, damp cloth.

• STORING

For cord storage, wrap the cord with the plastic fastener that is close to the power base.

RESETTING THE MOTOR

This unit features a unique safety system that prevents damage to the motor and drive system should you inadvertently overload it. If the unit is overloaded, the motor will be temporarily disabled. Should this occur, follow the reset procedure below.

- 1 Unplug the unit from the electrical outlet.
- 2 Allow the unit to cool for approximately 15 minutes.
- 3 Remove the container's lid and blade assembly. Empty the container and ensure no ingredients are jamming the blade assembly.

IMPORTANT: Ensure that maximum capacities are not exceeded. This is the most typical cause of appliance overload.

If your unit needs servicing, please call Customer Service at 1-877-646-5288. So we may better assist you, please register your product online at registeryourninja.com and have the product on hand when you call.

ORDERING REPLACEMENT PARTS & ACCESSORIES

To order additional parts and attachments, visit ninjaaccessories.com.



Storage Bag:

Neatly store all your accessories in one place.



Blending Pitcher:

Perfectly designed for the immersion blending attachment so you can blend your favorite recipes.

TROUBLESHOOTING GUIDE

⚠ WARNING: To reduce the risk of shock and unintended operation, turn power off and unplug unit before troubleshooting.

Unit doesn't turn on.

- Ensure the unit is plugged into a working outlet.
- Make sure to fully lock an attachment onto the power base. Align the arrow on the power base to the arrow on the desired attachment. Then push the power base onto the attachment to lock in place.
- Check that the bottom of power base is clean and there is no food blocking connection when installing attachments.
- When using the chopper, make sure that the blade is properly installed and the processing lid is sitting in the grooves of the chopper bowl.

Hand mixer control panel is illuminated but mixer will not start.

- After powering on  the hand mixer, press the up arrow to begin mixing.


Cannot install hand mixer accessories or hand mixer accessories are wobbly when installed.

- To install the hand mixer accessories, match the beater or dough hook that has the collar (the extra disc on the shaft) to the hole on the hand mixer with the symbol of the collar.

Hand mixer is spraying ingredients.

- Use speed 1 when mixing dry ingredients and when combining dry and liquid ingredients.
- Start on speed 1 and slowly ramp up to prevent ingredients from splattering.

Immersion blender will only run momentarily.

- Press and **hold** the power button  to blend. Holding the power button to blend ensures that the blade only runs when you're in control.

Immersion blender is spraying ingredients.

- We recommend using a cooking pot or large glass measuring container to blend ingredients.
- Be careful when choosing the size of your container. Ingredients should not fill the container more than half-way but should cover the blender head when blending. I.e. the blender head should be fully submerged under ingredients when blending.
- Submerge the vents of the blender head in the ingredients and tilt the blade away from yourself. Move the immersion bell in an up and down motion through the ingredients to blend, making sure to stop blending anytime the vents are not submerged. .

Food is stuck in immersion blender blade.

- Power the unit off and unplug the power base. Use a spatula or other kitchen utensil to dislodge the food. Handle the immersion blender attachment with care and not attempt to dislodge food using your hand.

Chopper moves on counter while processing.

- Make sure the countertop and Base of chopper bowl are clean and dry.
- Grip the power base with one hand with the control panel facing away from you while holding the chopper bowl with your other hand.

Food is unevenly chopped.

- Make sure that the maximum capacity on the chopper bowl has not been exceeded.
- Ingredient pieces could be too large. Try cutting the food into smaller pieces of even size and processing smaller amounts per batch.

Food is chopped too fine or is too watery.

- The food has been over processed. Use brief pulses or process for shorter time. Let the chopping blade assembly stop completely between pulses.

Cannot adjust speeds when chopper or frother is attached; lower button on the control panel does not work.

- When the chopper and frother attachments are installed, the speed button on the power base control panel is disabled. Simply press and hold the power button when using these attachments to run at the optimal speed.

Cannot remove attachments.

- Be sure to press the release buttons on the side of the power base to remove attachments. Do not pull attachments from the power base without using the release buttons.
- To remove hand-mixing accessories, press the eject button on the top of the hand mixing control panel.

Shark | NINJA

ONE (1) YEAR LIMITED WARRANTY

The One (1) Year Limited Warranty applies to purchases made from authorized retailers of **SharkNinja Operating LLC**. Warranty coverage applies to the original owner and to the original product only and is not transferable.

SharkNinja warrants that the unit shall be free from defects in material and workmanship for a period of one (1) year from the date of purchase when it is used under normal household conditions and maintained according to the requirements outlined in the Owner's Guide, subject to the following conditions and exclusions:

What is covered by this warranty?

1. The original unit and/or non-wearable parts deemed defective, in SharkNinja's sole discretion, will be repaired or replaced up to one (1) year from the original purchase date.
2. In the event a replacement unit is issued, the warranty coverage ends six (6) months following the receipt date of the replacement unit or the remainder of the existing warranty, whichever is later. SharkNinja reserves the right to replace the unit with one of equal or greater value.

What is not covered by this warranty?

1. Normal wear and tear of wearable parts (such as blending vessels, lids, blades, blender bases, etc.), which require regular maintenance and/or replacement to ensure the proper functioning of your unit, are not covered by this warranty. Replacement parts are available for purchase at ninjaaccessories.com.
2. Any unit that has been tampered with or used for commercial purposes
3. Damage caused by misuse, abuse, negligent handling, failure to perform required maintenance (e.g., failure to keep the well of the motor base clear of food spills and other debris), or damage due to mishandling in transit.
4. Consequential and incidental damages.
5. Defects caused by repair persons not authorized by SharkNinja. These defects include damages caused in the process of shipping, altering, or repairing the SharkNinja product (or any of its parts) when the repair is performed by a repair person not authorized by SharkNinja.
6. Products purchased, used, or operated outside North America.

How to get service

If your appliance fails to operate properly while in use under normal household conditions within the warranty period, visit ninjakitchen.com/support for product care and maintenance self-help. Our Customer Service Specialists are also available at **1-877-646-5288** to assist with product support and warranty service options, including the possibility of upgrading to our VIP warranty service options for select product categories. So we may better assist you, please register your product online at registeryourninja.com and have the product on hand when you call.

SharkNinja will cover the cost for the customer to send in the unit to us for repair or replacement. A fee of \$20.95 (subject to change) will be charged when SharkNinja ships the repaired or replacement unit.

How to initiate a warranty claim

You must call **1-877-646-5288** to initiate a warranty claim. You will need the receipt as proof of purchase. We also ask that you register your product online at registeryourninja.com and have the product on hand when you call, so we may better assist you. A Customer Service Specialist will provide you with return and packing instruction information.

How state law applies

This warranty gives you specific legal rights, and you also may have other rights that vary from state to state. Some states do not permit the exclusion or limitation of incidental or consequential damages, so the above may not apply to you.



REGISTER YOUR PURCHASE



registeryourninja.com



Scan QR code using mobile device

RECORD THIS INFORMATION

Model Number: _____

Serial Number: _____

Date of Purchase: _____
(Keep receipt)

Store of Purchase: _____

TECHNICAL SPECIFICATIONS

Voltage: 120V-, 60Hz

Power: 650 Watts

SharkNinja Operating LLC
US: Needham, MA 02494
CAN: Ville St-Laurent, QC H4S 1A7
1-877-646-5288
ninjakitchen.com

Illustrations may differ from actual product. We are constantly striving to improve our products, therefore the specifications contained herein are subject to change without notice.

FOODI and NINJA are registered trademarks of SharkNinja Operating LLC.

This product may be covered by one or more U.S. patents.
See sharkninja.com/patents for more information.

© 2022 SharkNinja Operating LLC

C1100Series_IB_EB1_MV1



@ninjakitchen