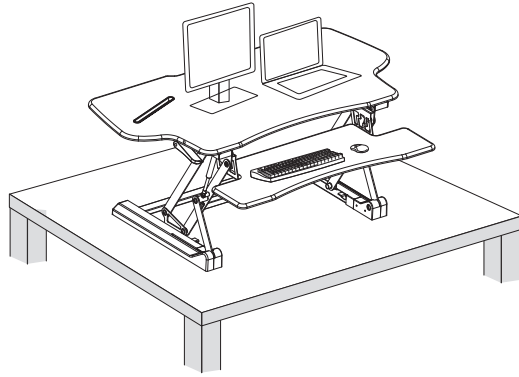
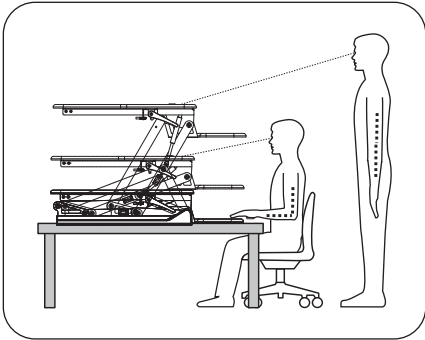




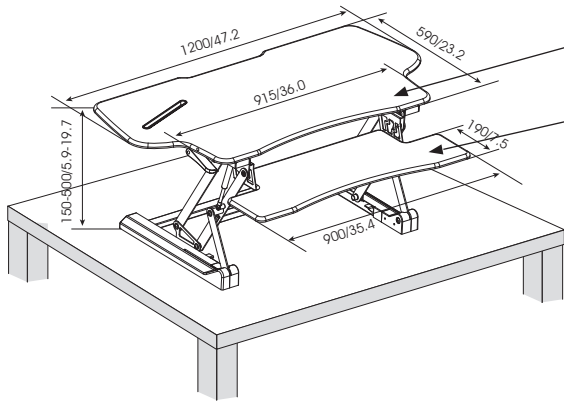
MOUNT-IT!
Professional TV and Display Mounts

MOUNTING INSTRUCTIONS

Sit and Stand Desktop



Features & Specifications



A LB kg 4-15kg (8.8-33lbs)

B LB kg ≤2kg (≤5lbs)

LB kg

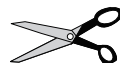
A+B= 4 - 15 kg (8.8-33 lbs)



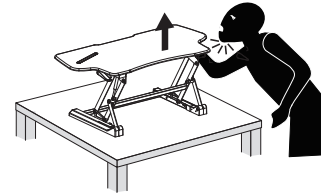
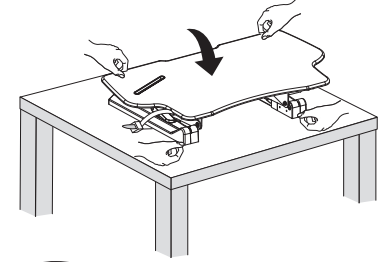
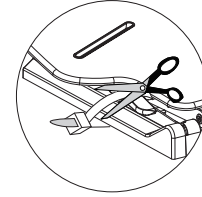
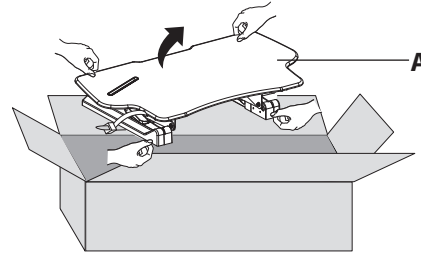
CAUTION: DO NOT EXCEED MAXIMUM LISTED WEIGHT CAPACITY. SERIOUS INJURY OR PROPERTY DAMAGE MAY OCCUR!

Components

	A	B	C	D	E
1			 X2	 X6	 X1
2	 S=4mm	 X2	Tools required not included		

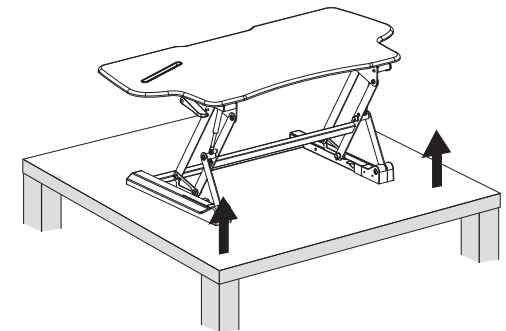
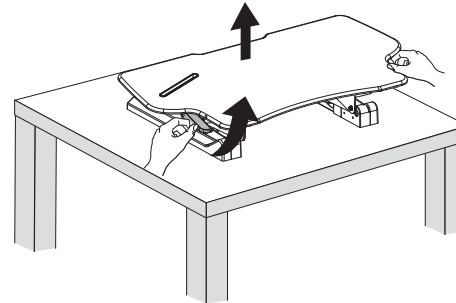


1

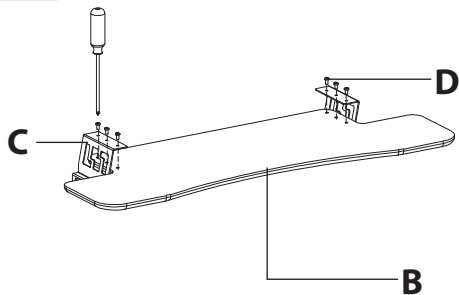


Warning: Impact Hazard! Moving Parts can Crush and Cut.

2

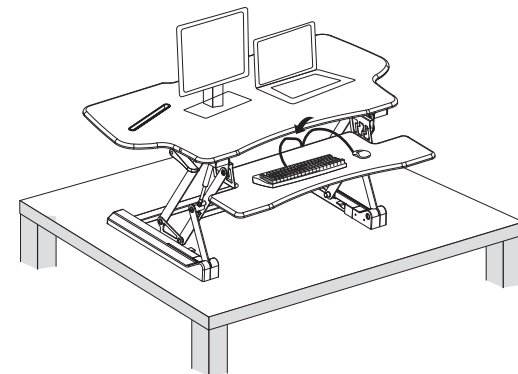
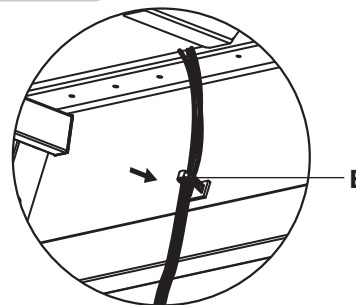


3

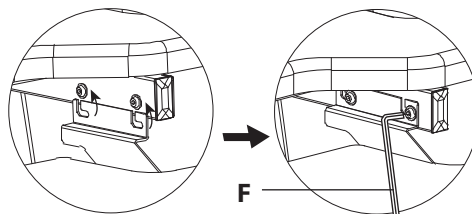
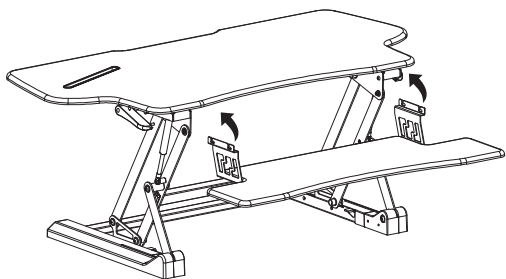


Screw up the six screws through the steel plate to the back of the keyboard tray

6

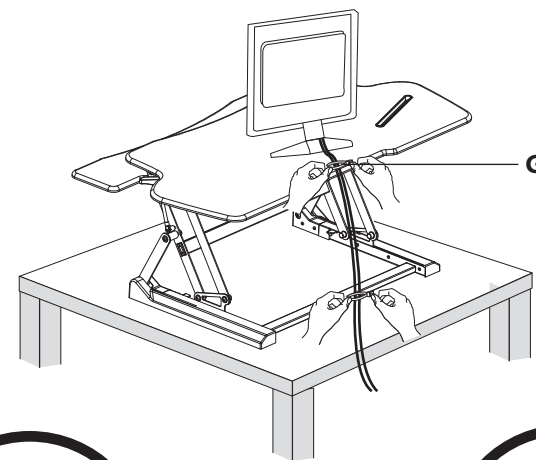


4

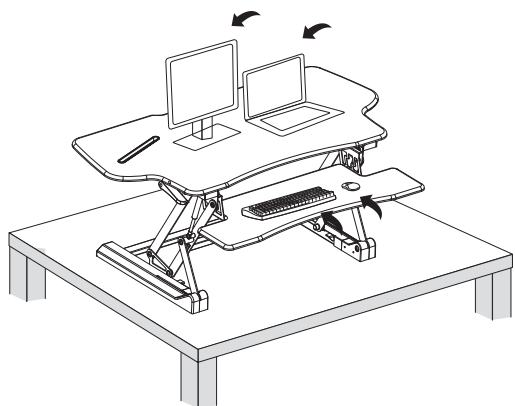


Fast insert for keyboard tray Tighten the screws

7



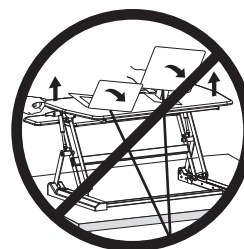
5



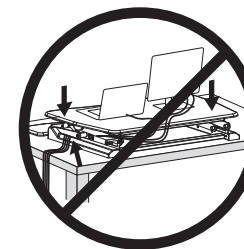
⚠ Keep monitor and laptop base fully on the worksurface. Allowing any part of base or stand to hang off the edge may result in property damage and or personal injury.



⚠ Raise worksurface slowly. Raising worksurface too fast may create an unstable situation resulting in property damage and or personal injury.



⚠ Leave enough slack in cable to allow for full range of vertical motion (15" / 38 cm). Failure to heed this warning may result in property damage and or personal injury.



⚠ To avoid the potential to pinch cables it is important to follow the cable routing instructions in this manual. Failure to follow these instructions may result in equipment damage or personal injury.

! WARNING

PINCH POINT

DO NOT place hands on or near support bars. Pinch points are created during lifting and lowering the worksurface. Failure to follow these instructions may result in serious personal injury.

