



01505 ROUND Toilet Seat

Soft (Closed-Front): Black
REGULAR STANDARD

1 YEAR LIMITED WARRANTY

1 year from date of purchase with proof of purchase.

Ginsey Home Solutions sells its products with the intent that they are free of defects in manufacture and workmanship for a period of one year from the date of original purchase. Ginsey Home Solutions warrants that its products will be free of defects in material and workmanship under normal use and service.

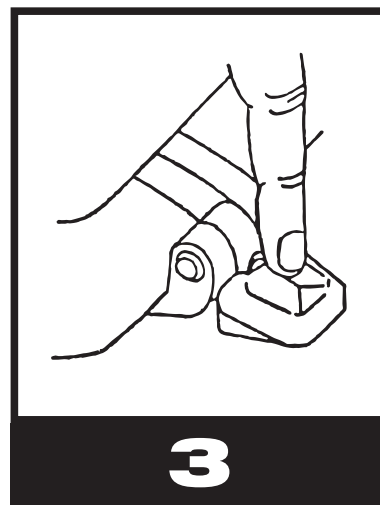
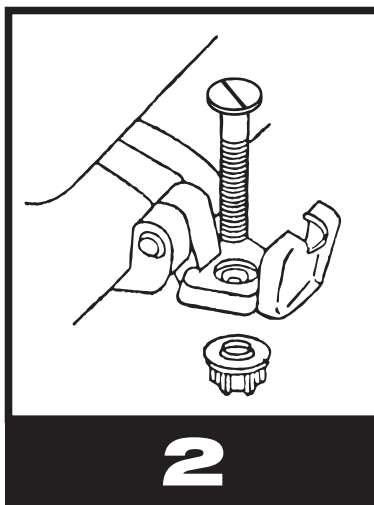
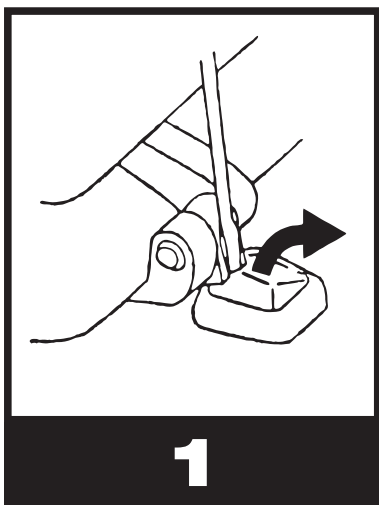
For warranty service call:

Ginsey Home Solutions
2078 Center Square Road
Swedesboro, NJ 08085
1-800-257-7844
service@ginsey.com

Customer Service is available
8:30am – 5:00pm (EST)
Monday – Friday

Installation Instructions:

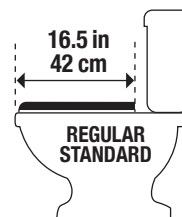
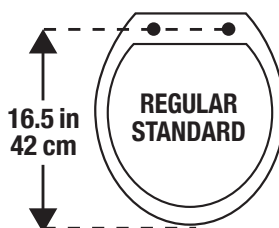
Hardware included.



Care Instructions:

Clean with soft, damp cloth and mild soap. Dry with clean, soft cloth.

- Easy Installation
- Easy to Clean



Measure your toilet
from front of bowl to
mounting holes.