

## USE AND CARE GUIDE

---

### ALUMINUM 28 IN. BISTRO TABLE



Questions, problems, missing parts? Before returning to the store,  
call Home Decorators Collection Customer Service.  
8 a.m. - 7 p.m., EST, Monday - Friday, 9 a.m. - 6 p.m., EST, Saturday

**1-800-986-3460**

**[HOMEDEPOT.COM/HOMEDECORATORS](http://HOMEDEPOT.COM/HOMEDECORATORS)**

---

**THANK YOU**

*We appreciate the trust and confidence you have placed in Home Decorators Collection through the purchase of this table. We strive to continually create quality products designed to enhance your home. Visit us online to see our full line of products available for your home improvement needs.*

*Thank you for choosing Home Decorators Collection!*

# Table of Contents

|  |   |                         |   |
|--|---|-------------------------|---|
| Table of Contents.....                 | 2 | Pre-Assembly .....      | 3 |
| Important Safety Instructions .....    | 2 | Planning Assembly ..... | 3 |
| Save These Instructions .....          | 2 | Package Contents .....  | 4 |
| Read All Instructions Before Use ..... | 2 | Assembly .....          | 5 |
| Warranty .....                         | 3 | Care and Cleaning.....  | 7 |
| What is Covered .....                  | 3 |                         |   |
| What is Not Covered .....              | 3 |                         |   |

## Important Safety Instructions

### SAVE THESE INSTRUCTIONS



**WARNING:** This bistro table was as made for the explicit purpose of providing outdoor functions and is not to be used as a toy. This product is intended for normal outdoor use; however, the manufacturer recommends storing and / or covering this product when any formidable / severe weather is approaching.



**WARNING:** Do not locate this product near open flames. Do not use this product as a support. Do not shake, lean or climb on the product. Children under the age of 10, near the product, should be supervised by a competent adult at all times. This product is NOT intended for commercial use and will void the warranty.

### READ ALL INSTRUCTIONS BEFORE USE

To reduce the risk of injury to persons:

1. Close supervision is necessary when this product is used by or near children, or disabled persons, if applicable.
2. Use this product only for its intended use as described in these instructions. Do not use attachments not recommended by the manufacturer.
3. Please keep children out of the assembly area before assembly.
4. This table is not intended to support an umbrella. Umbrellas must have a suitable base or stand.



**WARNING:** Do not place heavy objects on the table.



**WARNING:** When not in use, secure the product in a cool and covered location.



**WARNING:** This table unit is heavy, and may require two adults for safe assembly.



**CAUTION:** Do not locate the product near any heat source.

# Warranty

## 5 YEAR FRAME WARRANTY

### WHAT IS COVERED

We warrant the frame to be free of manufacturing defects to the original purchaser for five years.

### WHAT IS NOT COVERED

It remains the customer's responsibility for freight and packaging charges to and from our service center. This warranty does not cover commercial use, hardware, acts of nature, fire, freezing, and abusive use. In addition, purchased parts are not covered under this warranty. We reserve the right to make substitutions with similar merchandise, if the model in question is no longer in production.

Contact the Customer Service Team at 1-800-986-3460 or visit [www.homedepot.com/homedecorators](http://www.homedepot.com/homedecorators).

# Pre-Assembly

## PLANNING ASSEMBLY

Read all instructions before assembly.

To avoid damaging this product, assemble it on a soft, non-abrasive surface such as carpet or cardboard.



**NOTE:** More than one person may be required to assemble this product.

## HARDWARE INCLUDED



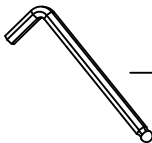
**NOTE:** Hardware not shown to actual size.



AA



BB

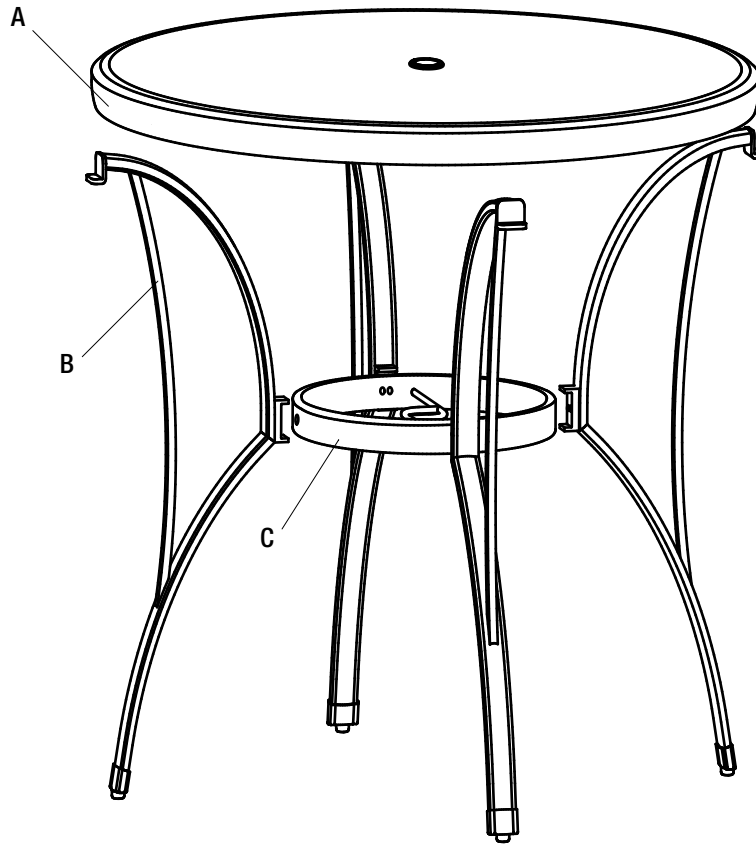


CC

| Part | Description            | Quantity |
|------|------------------------|----------|
| AA   | M6x20 combination bolt | 8+1      |
| BB   | M6x25 combination bolt | 8+1      |
| CC   | Hex wrench             | 1        |

# Pre-Assembly

## PACKAGE CONTENTS



| Part | Description   | Quantity |
|------|---------------|----------|
| A    | Table top     | 1        |
| B    | Table leg     | 4        |
| C    | Leg connector | 1        |

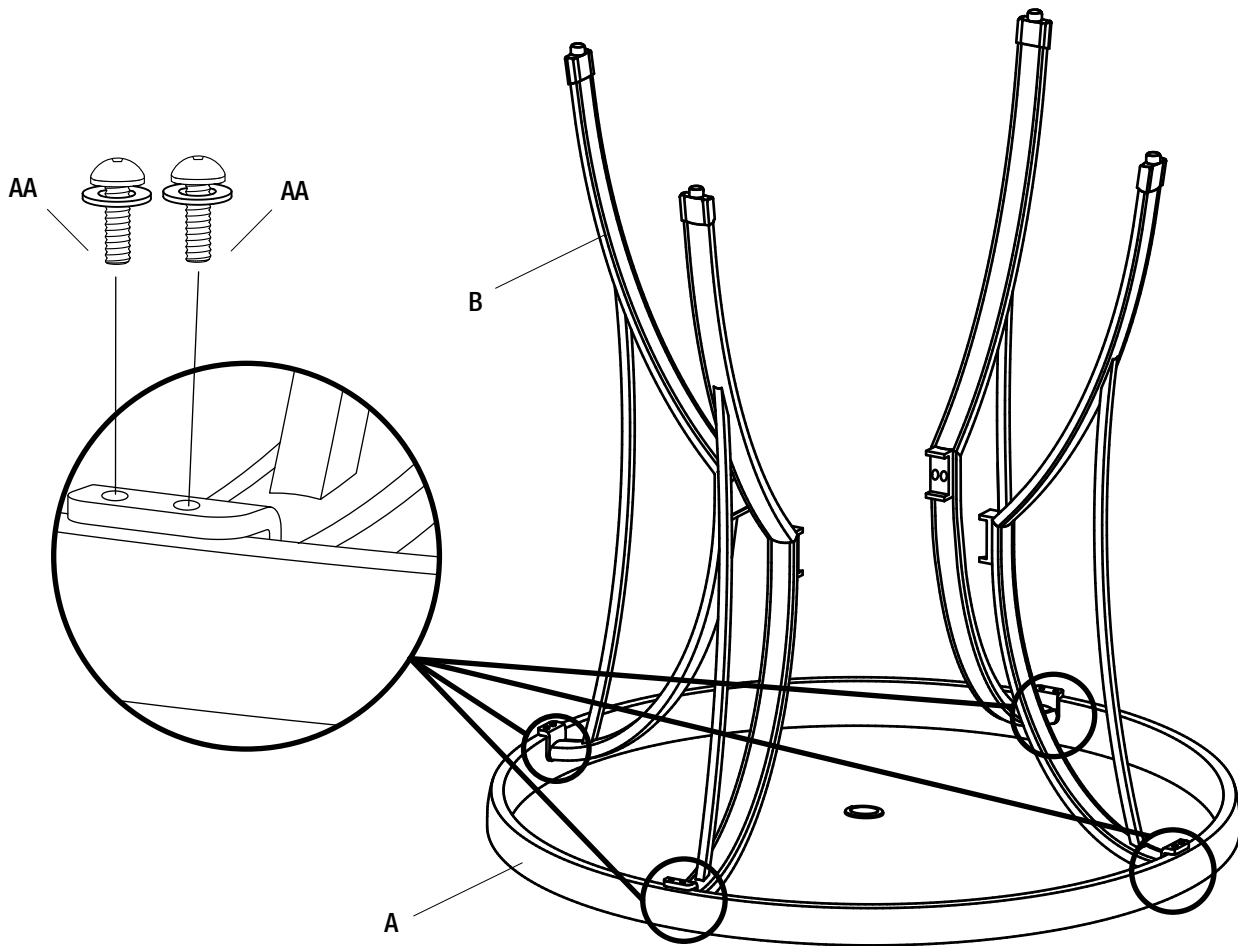
# Assembly

## 1 Attaching the table legs to the table top

- Place the table top (A) upside down on a soft surface.
- Attach the four table legs (B) to the table top (A) using M6x20 combination bolts (AA).



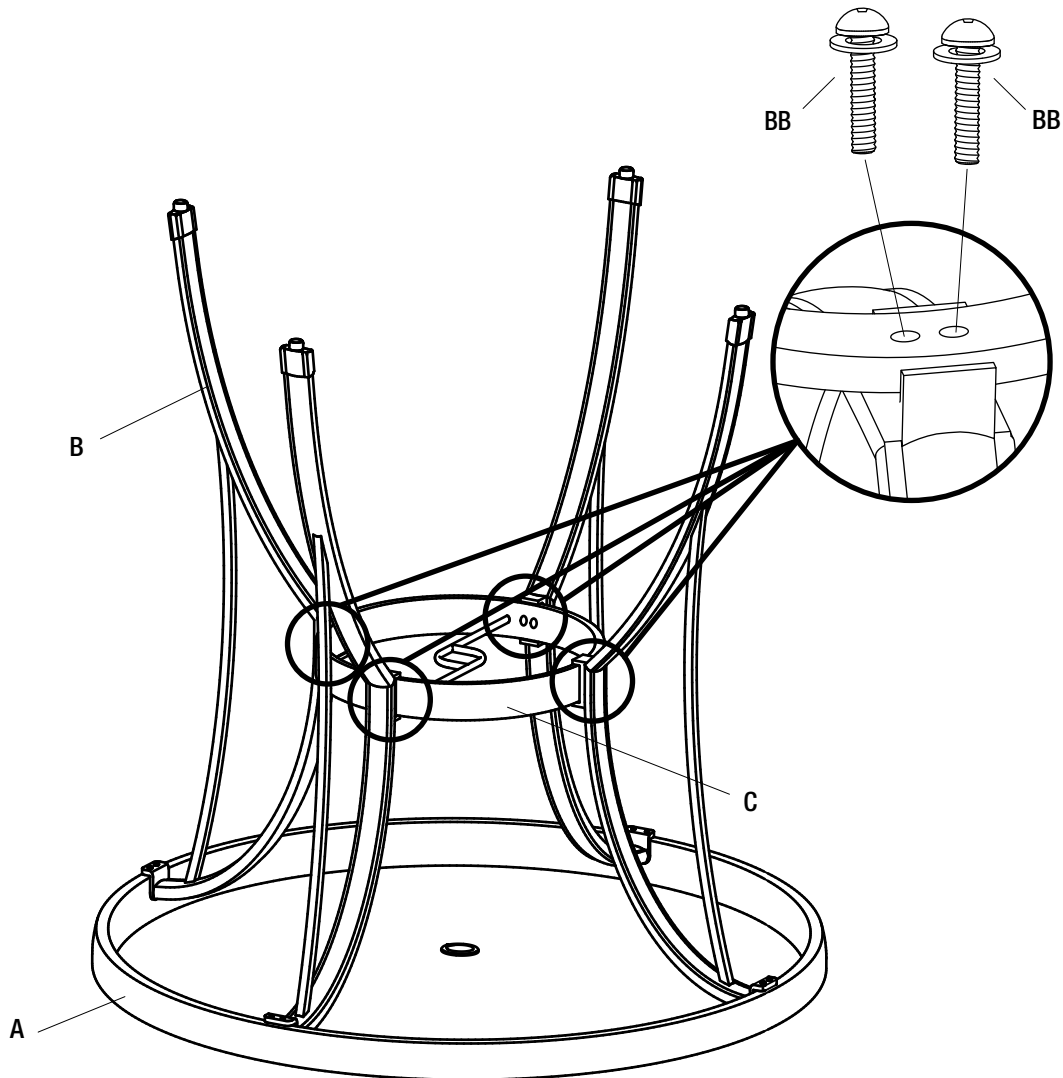
**NOTE:** Loosely tighten the bolts using the hex wrench (CC).



## Assembly (continued)

### 2 Attaching the leg connector to the table legs

- Attach the leg connector (C) to the table legs (B) using M6x25 combination bolts (BB).
- Once all of the bolts are in place, fully tighten all the bolts using the hex wrench (CC).



## Assembly (continued)

### 3 Checking the table

- Turn the table right side up.
- Ensure all connections are secure before use.



## Care and Cleaning

- For best results, clean the table with a damp cloth and dry thoroughly. This will help prevent mildew by removing dirt particles that may accumulate.
- Do not clean with abrasive materials, bleach, or solvents.
- Store the table in a dry, sheltered place when not in use.
- Keep the table away from fire, extreme heat, freezing conditions, and inclement weather such as rain, hail, sleet, snow, or wind.

**HOME  
DECORATORS  
COLLECTION®**

Questions, problems, missing parts? Before returning to the store,  
call Home Decorators Collection Customer Service.  
8 a.m. - 7 p.m., EST, Monday - Friday, 9 a.m. - 6 p.m., EST, Saturday

**1-800-986-3460**

**[HOMEDEPOT.COM/HOMEDECORATORS](http://HOMEDEPOT.COM/HOMEDECORATORS)**

Retain this manual for future use.

|                              |
|------------------------------|
| For certification use only   |
| Factory table ID # FTA60762A |