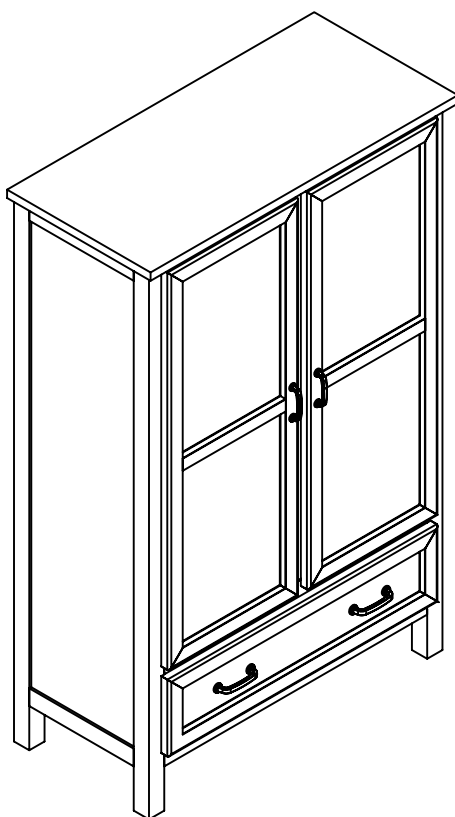


USE AND CARE GUIDE

KITCHEN PANTRY CABINET



Questions, problems, missing parts?
Before returning to the store, call Customer Service.
8 a.m. – 7 p.m., EST, Monday – Friday, 9 a.m. – 6 p.m., EST, Saturday

1-877-527-0313

HOMEDEPOT.COM

THANK YOU

We appreciate the trust and confidence you have placed in StyleWell through the purchase of this kitchen pantry cabinet. We strive to continually create quality products designed to enhance your home. Visit us online to see our full line of products available for your home improvement needs. Thank you for choosing StyleWell!

Table of Contents

Table of Contents.....	2	Tools Required	4
Safety Information.....	2	Hardware Included.....	4
Warranty.....	3	Pre-assembly (continued)	5
1 Year Warranty	3	Package Contents	5
What is Covered	3	Assembly	6
What is Not Covered	3		
Pre-assembly.....	4		
Planning Assembly.....	4		

Safety Information



DANGER

- Keep small parts away from children during assembly.
- Read and follow instructions carefully.



WARNING

- Read these instructions carefully and keep in a safe place.
- TO GUARANTEE THE SAFE USE OF THIS PRODUCT, FOLLOW THE WARNINGS, GUIDELINES AND RECOMMENDATIONS IN THIS MANUAL.
- Adult assembly required.
- Small parts may present choking hazard prior to assembly.
- To further reduce the risk of serious injury and death from tip-overs:
 - Place heaviest items in the lowest compartments or drawers.
 - Never allow children to climb or hang on drawers, doors or shelves.
 - Never open more than one drawer at a time.
 - Use of tip-over restraints may only reduce, but not eliminate, the risk of tip-over.
 - For safe mounting, it is essential to use wall anchors appropriate to your wall type (i.e. plaster, drywall, concrete, etc). Mount to wood studs whenever possible.*



NOTE: If you are unsure about your wall type or what mounting method you should use, consult a qualified professional.



CAUTION

- Do not use power tools to assemble your furniture. Power tools may strip or damage parts/product.
- Do not overtighten connectors (screws, bolts, etc.). Overtightening can lead to product damage.
- Be sure to check all packing materials carefully for small parts that may have come loose inside the carton during shipment. If parts are missing, contact THE HOME DEPOT to obtain any missing parts.
- DO NOT USE SUBSTITUTE PARTS.
- This product should only be used on a flat, level surface.
- Product is designed to hold 75 pounds. Exceeding this limit may damage the product or cause injury to the user.

Warranty

1 YEAR WARRANTY

WHAT IS COVERED

We guarantee this product to be free of manufacturing defects to the original purchaser for one year.

WHAT IS NOT COVERED

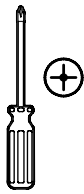
This warranty does not cover commercial use, acts of nature, and abusive use.

Pre-assembly

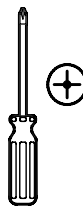
PLANNING ASSEMBLY

Keep children and pets away from build area. Make sure your area is large enough to unpack, sort and assemble the unit.

TOOLS REQUIRED



Small head
Phillips
screwdriver

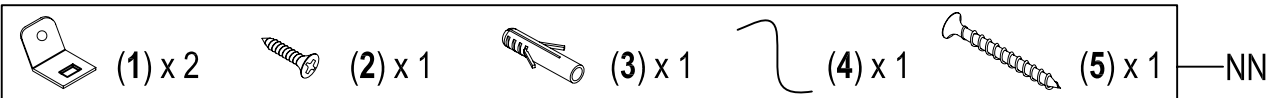
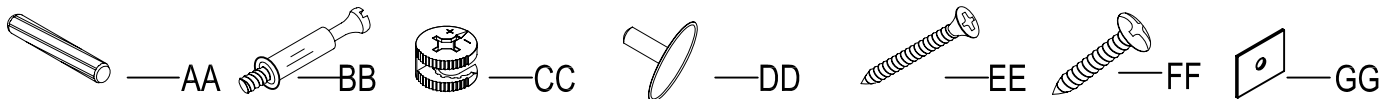


Large head
Phillips
screwdriver

HARDWARE INCLUDED



NOTE: Hardware not shown to actual size.

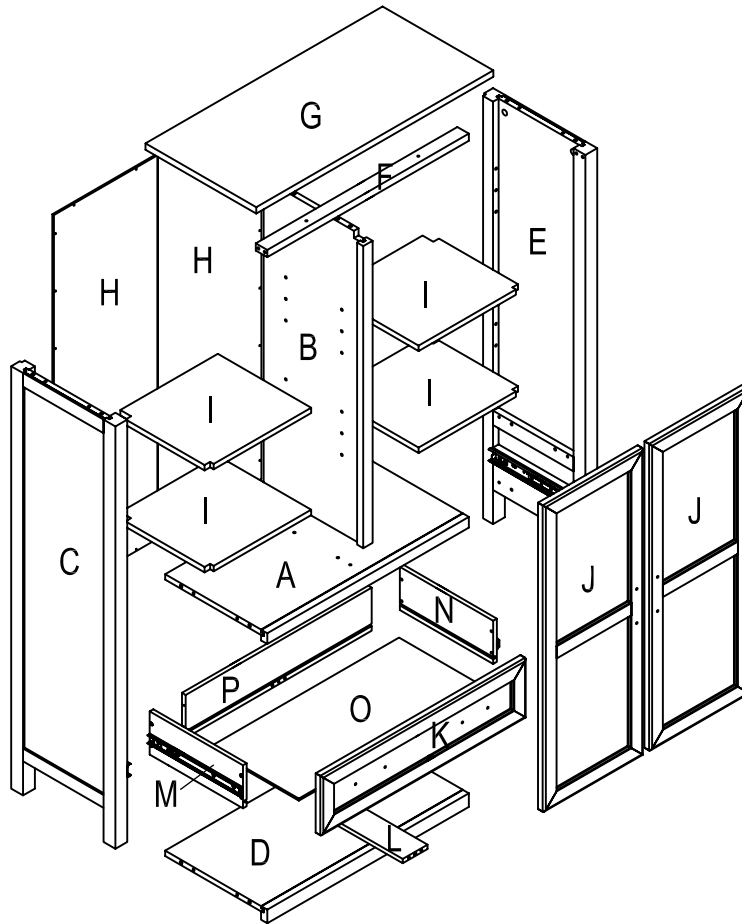


Part	Description	Quantity
AA	Wood dowel	24
BB	Cam lock bolt	17
CC	Cam lock	17
DD	Plastic cover	8
EE	1 in. Flat head screw	11
FF	5/8 in. Round head screw	29
GG	Metal plate	5

Part	Description	Quantity
HH	Shelf support	16
II	5/8 in. Flat head screw	16
JJ	Hinge	4
KK	Handle	4
LL	Long handle bolt	4
MM	Short handle bolt	4
NN	Anti-tipping hardware package	1

Pre-assembly (continued)

PACKAGE CONTENTS

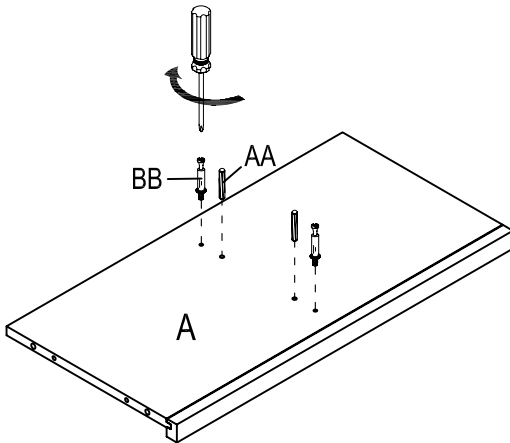


Part	Description	Quantity
A	Fixed panel	1
B	Partition	1
C	Left side panel	1
D	Bottom panel	1
E	Right side panel	1
F	Crossbar	1
G	Top panel	1
H	Back panel	2
I	Adjustable shelf	4
J	Door	2
K	Drawer front panel	1
L	Support bar	1
M	Drawer left side panel	1
N	Drawer right side panel	1
O	Drawer bottom panel	1
P	Drawer back panel	1

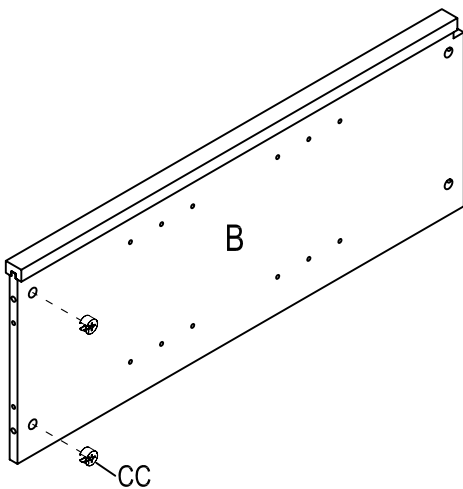
Assembly

1 Attaching the partition to the fixed panel

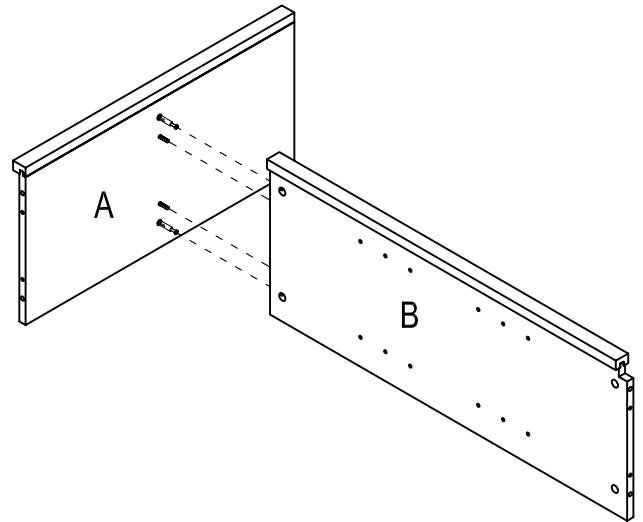
- a) Install dowel (AA) and bolt (BB) into panel (A).



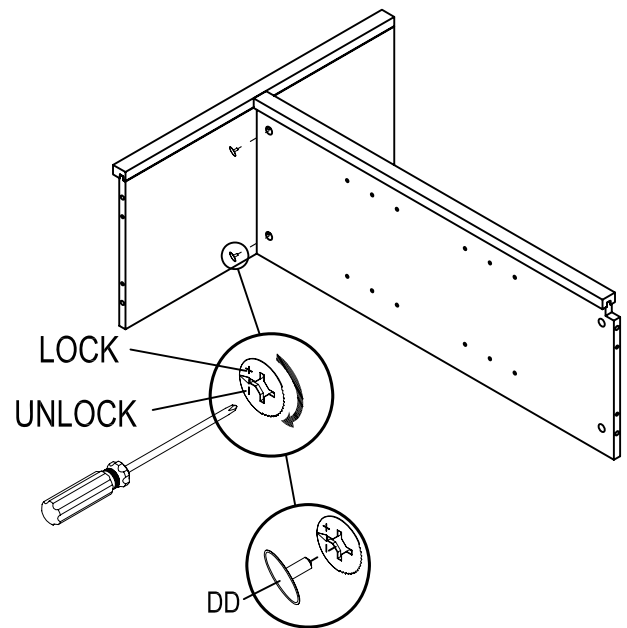
- b) Insert lock (CC) into panel (B).



- c) Join partition (B) to the panel (A) with dowel (AA).



- d) Tighten bolt (BB) with lock (CC) in the pre-drilled holes.



- e) Cover the cam holes with the cover (DD).

Wood dowel

Cam lock bolt

Cam lock

Plastic cover

Small head

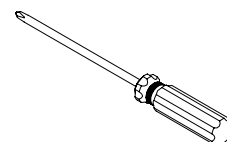
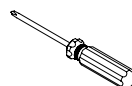
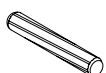
Large head

(AA) x 2

(BB) x 2

(CC) x 2

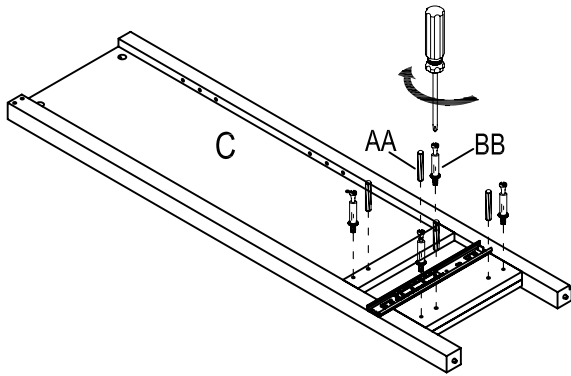
(DD) x 2



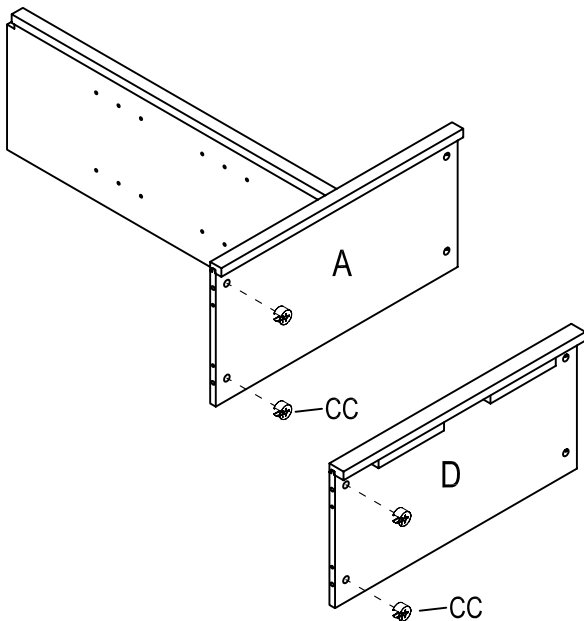
Assembly (continued)

2 Attaching the bottom panel and left side panel

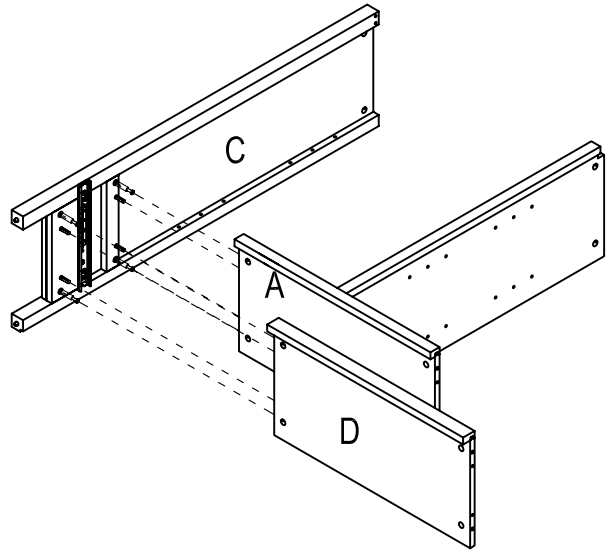
- a) Install dowel (AA) and bolt (BB) into panel (C).



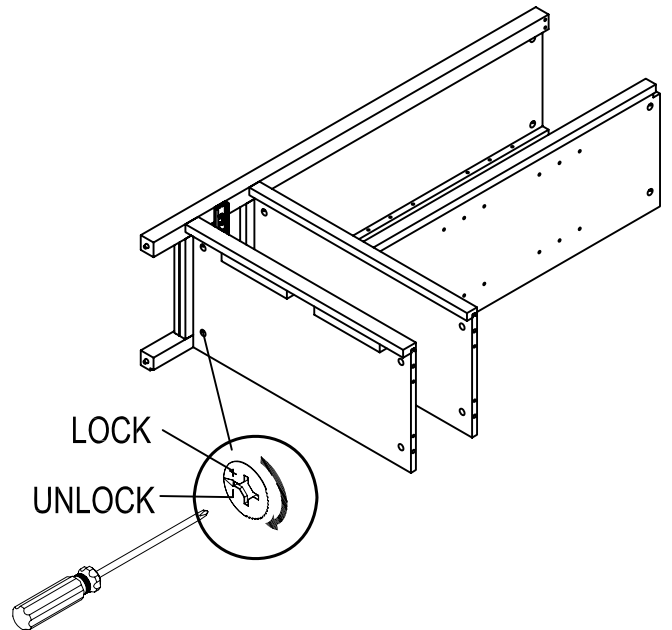
- b) Insert lock (CC) into panels (A) and (D).



- c) Join panels (A) and (D) to the panel (C) with dowel (AA).



- d) Tighten bolt (BB) with lock (CC) in the pre-drilled holes.



Wood dowel

Cam lock bolt

Cam lock

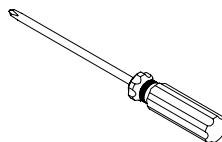
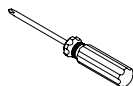
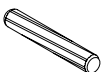
Small head

Large head

(AA) x 4

(BB) x 4

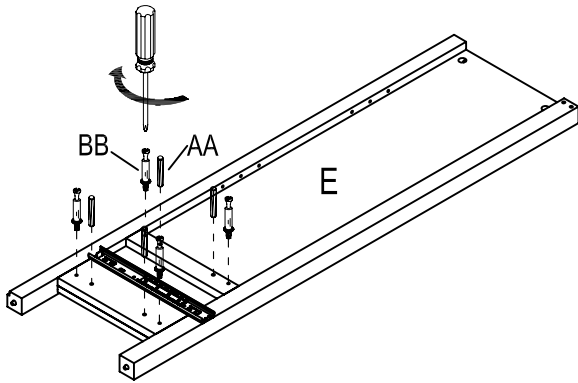
(CC) x 4



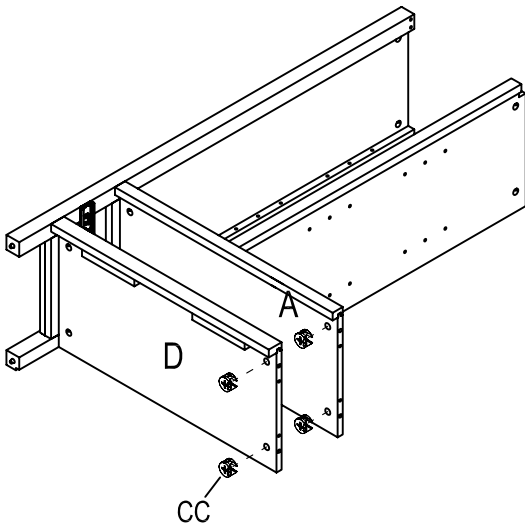
Assembly (continued)

3 Attaching the right side panel and the crossbar

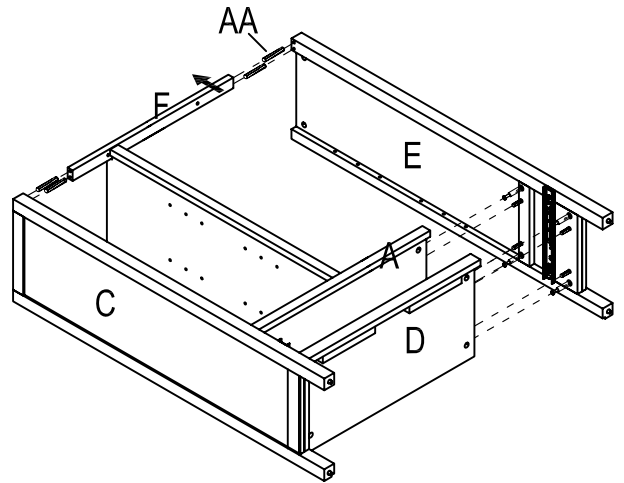
- a) Install dowel (AA) and bolt (BB) into panel (E).



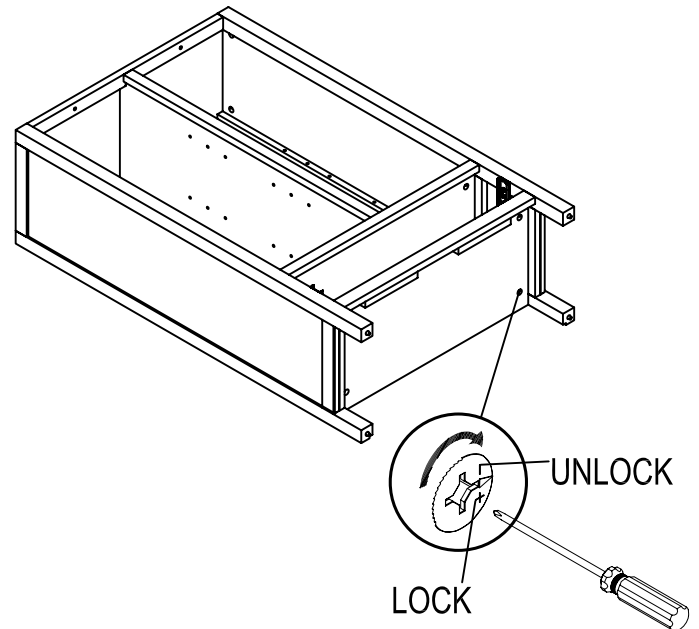
- b) Insert lock (CC) into panels (A) and (D).



- c) Join panel (E) and bar (F) to the assembled body with dowel (AA).



- d) Tighten bolt (BB) with lock (CC) in the pre-drilled holes.



Wood dowel

Cam lock bolt

Cam lock

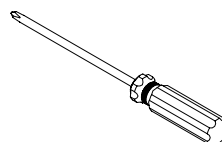
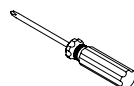
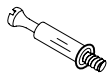
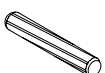
Small head

Large head

(AA) x 8

(BB) x 4

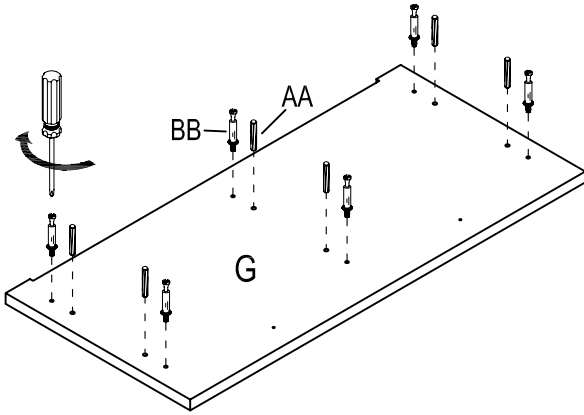
(CC) x 4



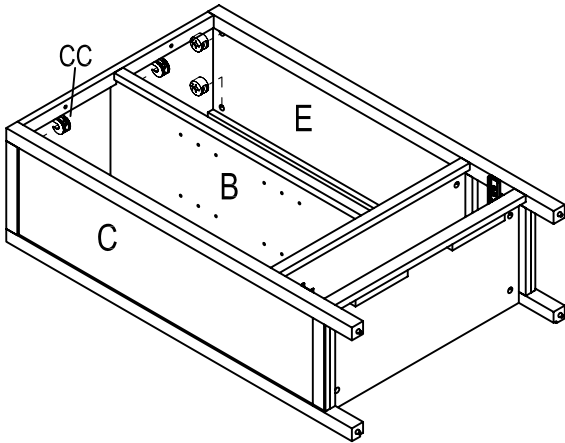
Assembly (continued)

4 Attaching the top panel

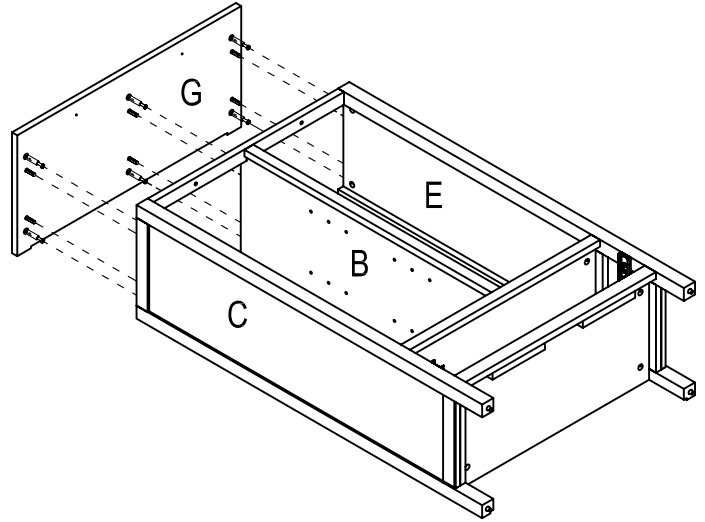
- a) Install dowel (AA) and bolt (BB) into panel (G).



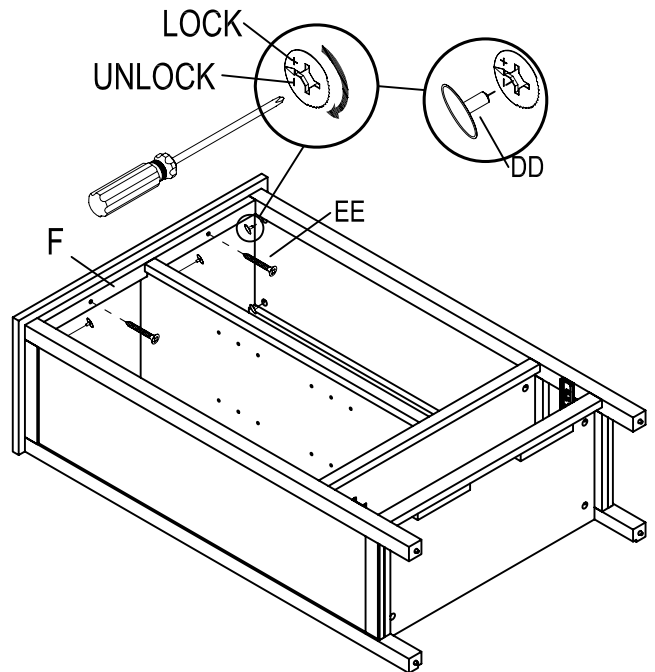
- b) Insert lock (CC) into panels (C), (B) and (E).



- c) Join panel (G) to the assembled body with dowel (AA).



- d) Tighten bolt (BB) with lock (CC) in the pre-drilled holes. Tighten bar (F) with screw (EE).



- e) Cover the cam holes with the cover (DD).

Wood dowel

Cam lock bolt

Cam lock

Plastic cover

1 in. Flat head screw

Small head

Large head

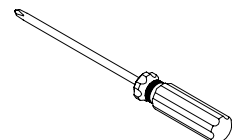
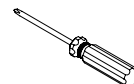
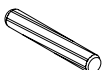
(AA) x 6

(BB) x 6

(CC) x 6

(DD) x 6

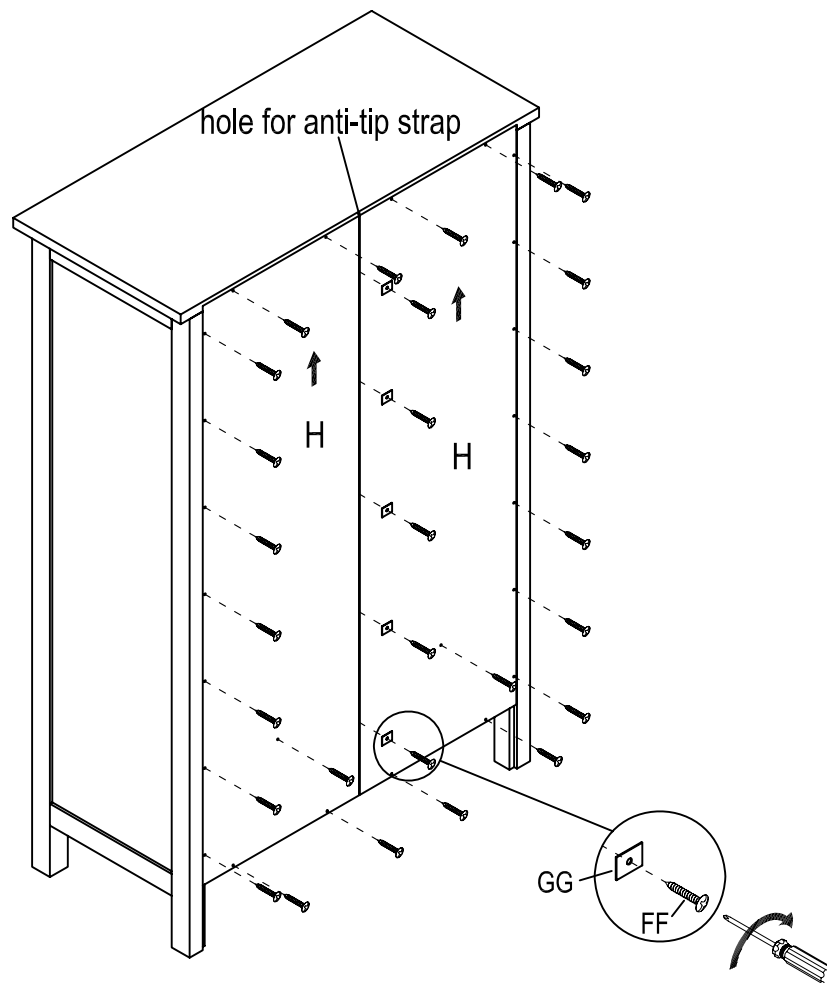
(EE) x 2



Assembly (continued)

5 Attaching the back panel

- Tighten panel (H) with screws (FF) and plates (GG) as shown.



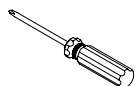
5/8 in. Round head
screw
(FF) x 29



Metal plate
(GG) x 5



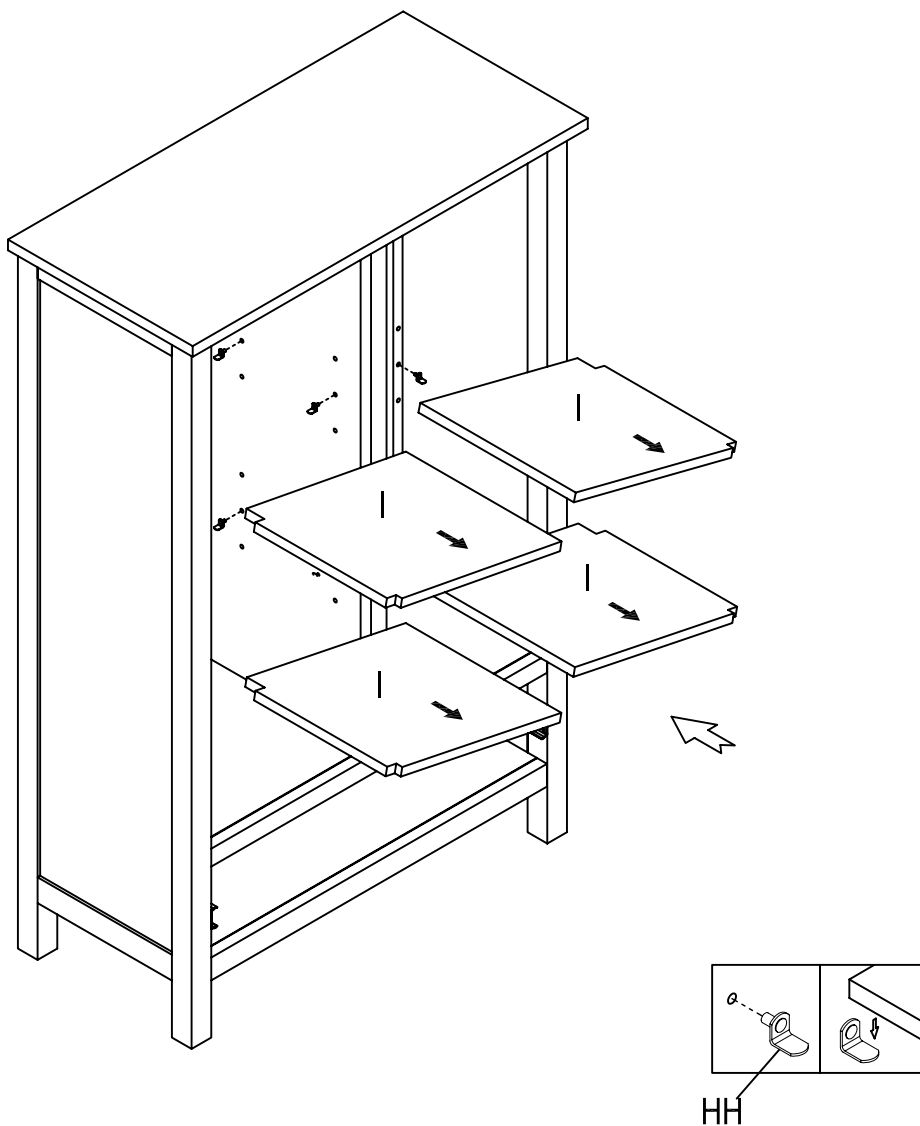
Small head



Assembly (continued)

6 Attaching the adjustable shelf

- Insert shelf supports (HH) in desired positions and place shelf (I) on the supports.



Shelf support

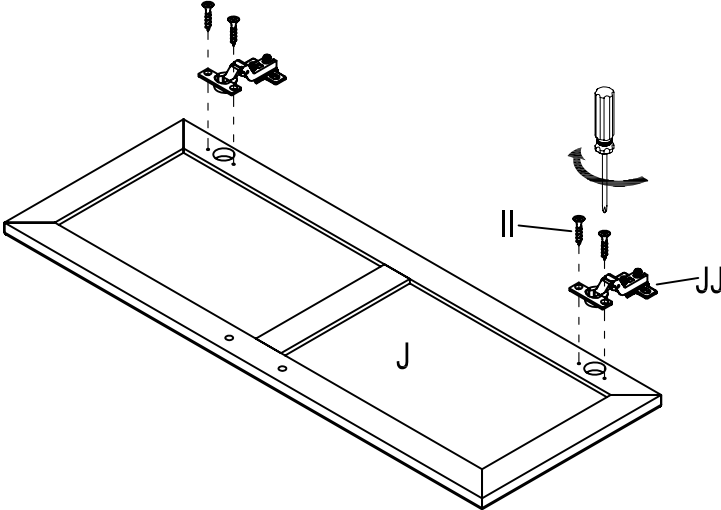
(HH) x 16



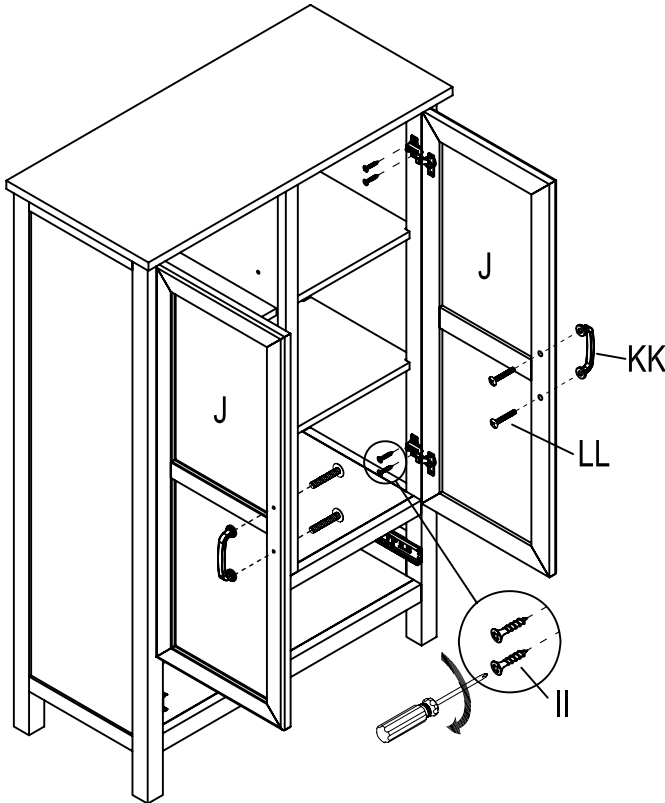
Assembly (continued)

7 Attaching the door

- a) Attach hinge (JJ) to door (J) with screw (II).

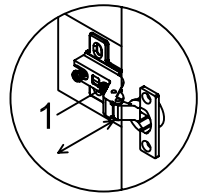


- b) Attach door (J) to the assembled body with screw (II) as shown. Attach handle (KK) to door (J) with the long handle bolt (LL).

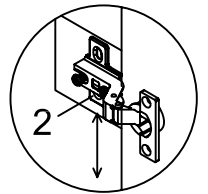


NOTE: A helper who can hold the door in position makes the door installation easier.

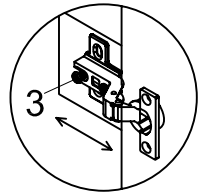
DOOR FITTING



To adjust in width



To adjust in height



To adjust in depth

5/8 in. Flat head screw

Hinge

Handle

Long handle bolt

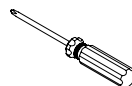
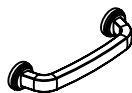
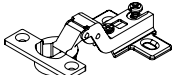
Small head

(II) x 16

(JJ) x 4

(KK) x 2

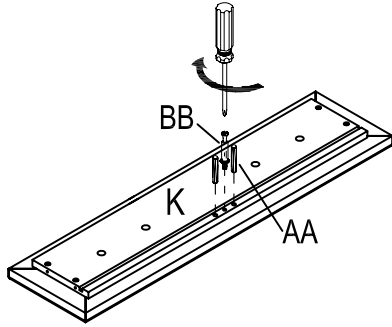
(LL) x 4



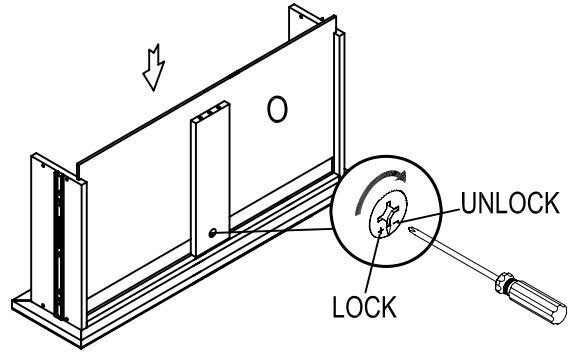
Assembly (continued)

8 Assembling the drawer

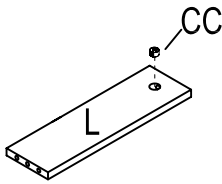
- a) Install dowel (AA) and bolt (BB) into panel (K).



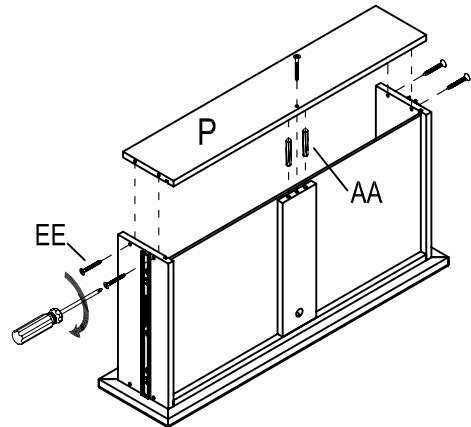
- d) Slide panel (O) into the grooves on panels (M) and (N). Tighten bolt (BB) with lock (CC) in the pre-drilled hole.



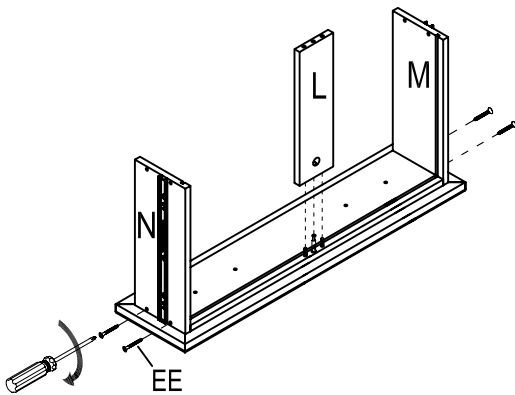
- b) Insert lock (CC) into support bar (L).



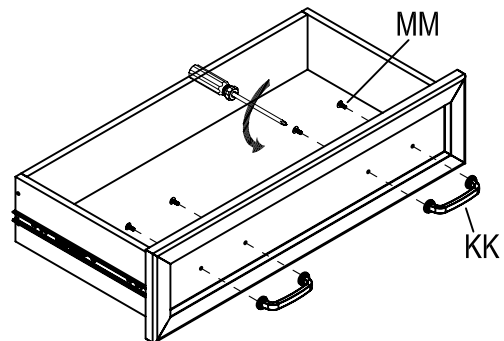
- e) Tighten panel (P) to the assembled body with screw (EE) and dowel (AA).



- c) Tighten panels (M) and (N) to the panel (K) with screw (EE). Join bar (L) to the panel (K) with dowel (AA).



- f) Tighten handle (KK) to panel (K) with short bolt (MM).

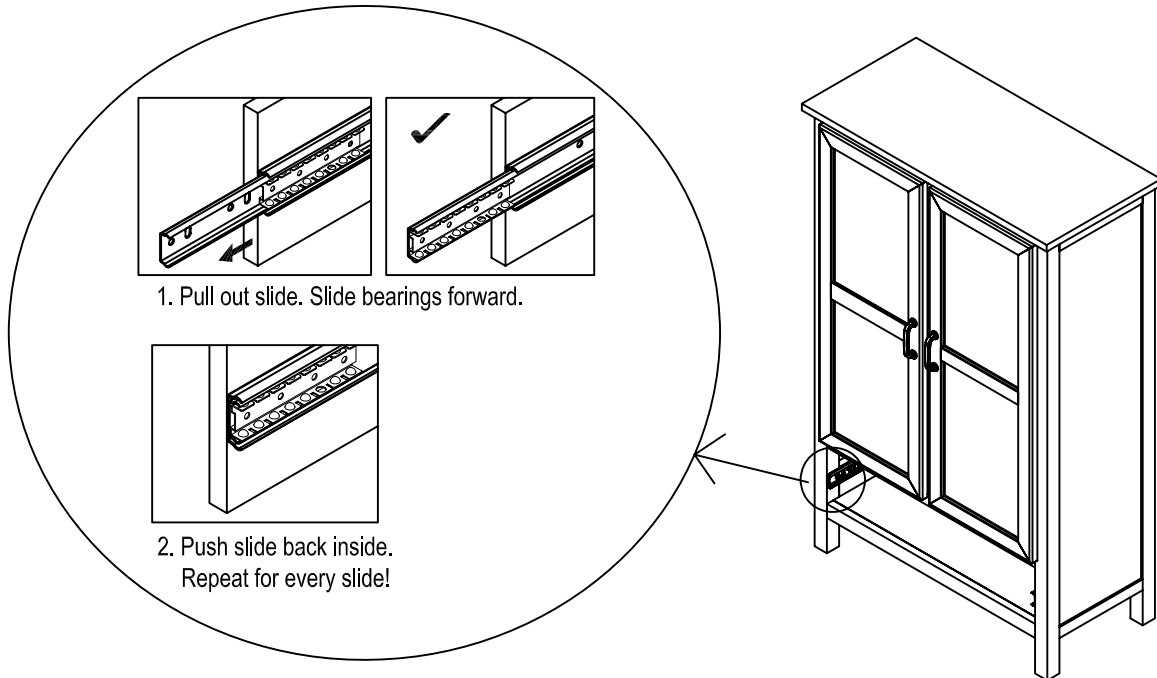


Wood dowel	Cam lock bolt	Cam lock	1 in. Flat head screw	Handle	Short handle bolt	Small head	Large head
(AA) x 4	(BB) x 1	(CC) x 1	(EE) x 9	(KK) x 2	(MM) x 4		

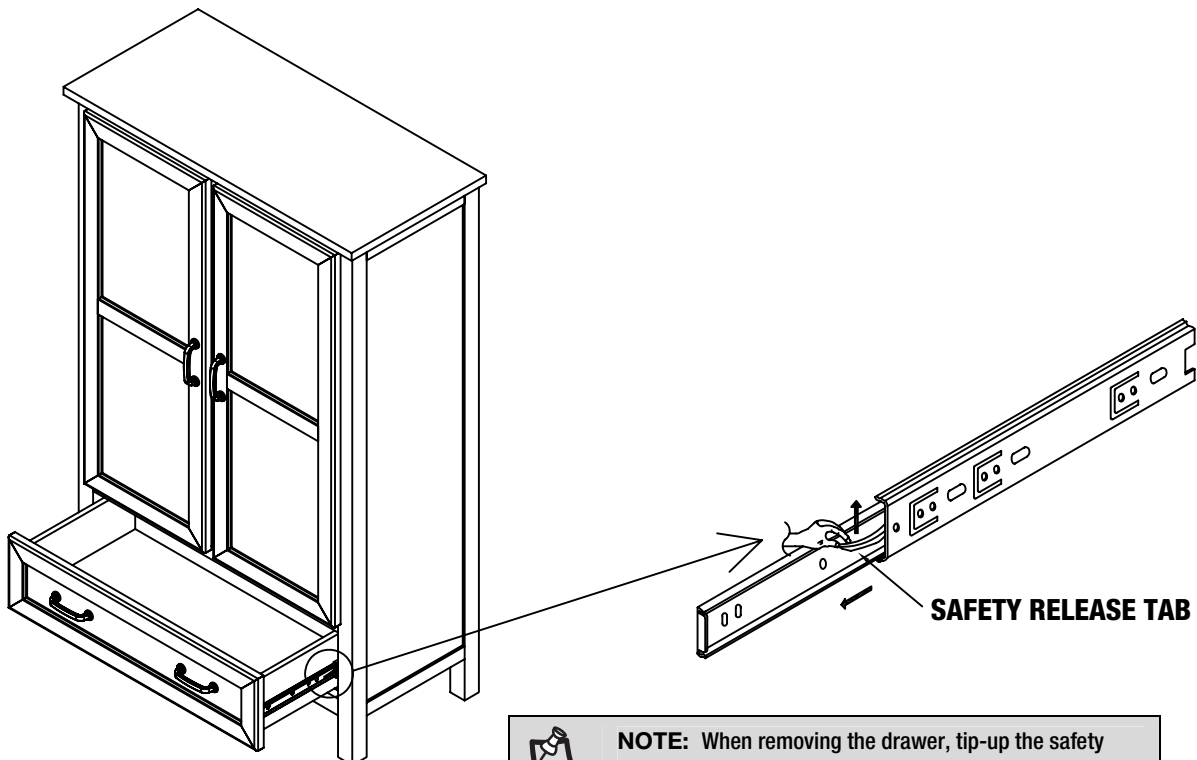
Assembly (continued)

9 Inserting the drawer

- Insert the drawer into the assembled body as shown.



NOTE: Make sure the slide piece is at the front end of the glide when installing the drawer into the body.

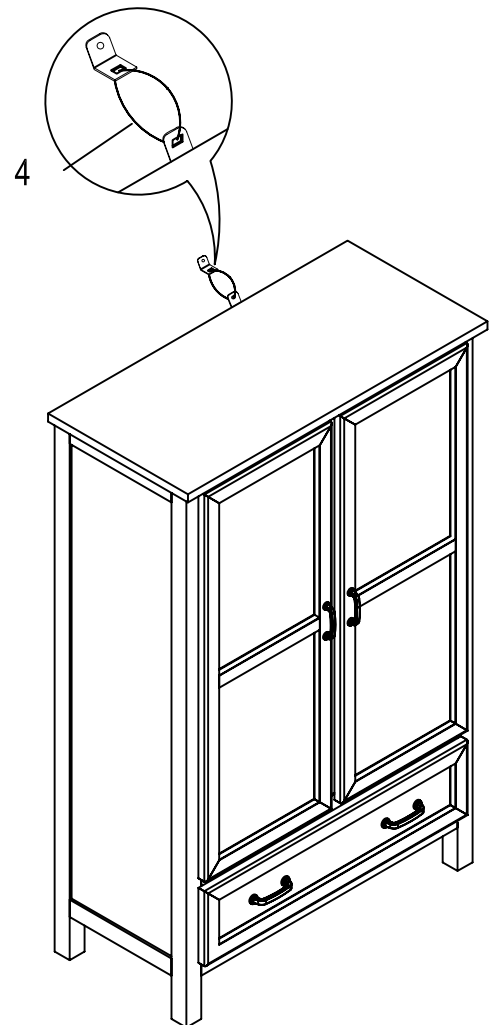
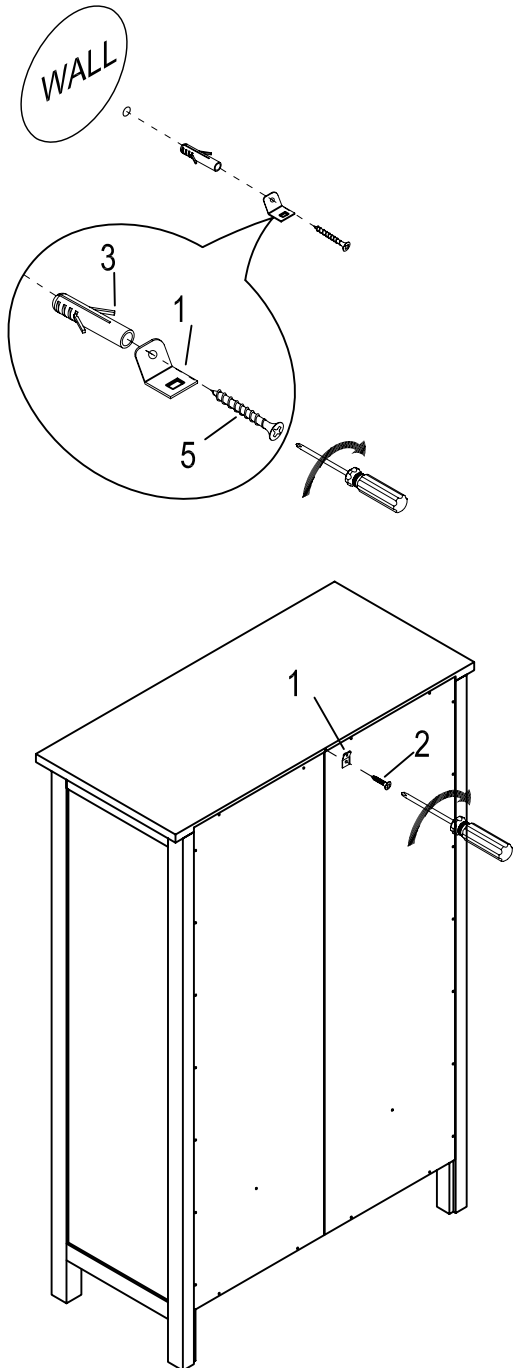


NOTE: When removing the drawer, tip-up the safety release tab to remove the drawer from the body.

Assembly (continued)

10 Finalizing the assembly

- Install the anti-tipping hardware as shown.



Rectangle metal plate
(1) x 2



1/2 in. Flat head screw
(2) x 1



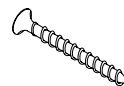
Plastic anchor
(3) x 1



Plastic band
(4) x 1

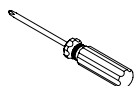


1-1/2 in. Flat head screw
(5) x 1



Small head

NN



StyleWell.™

Questions, problems, missing parts?
Before returning to the store, call Customer Service
8 a.m. – 7 p.m., EST, Monday – Friday, 9 a.m. – 6 p.m., EST, Saturday

1-877-527-0313

HOMEDEPOT.COM

Retain this manual for future use.