

## Assembly Instruction

Furinno JAYA Compact Computer Study Desk

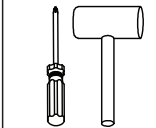
MODEL : 15112

00:30

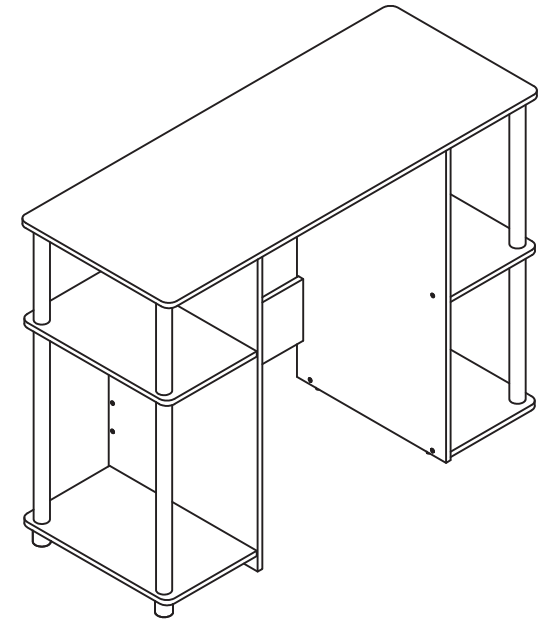
Approx. 30 minutes



Recomm. 2 Person



Tool Required



### WARNING:

This unit has been designed to support the maximum loads shown. Exceeding these load limits could cause sagging, instability, product collapse, and/or serious injury. DO NOT allow children to climb on unit.



### Customer Support

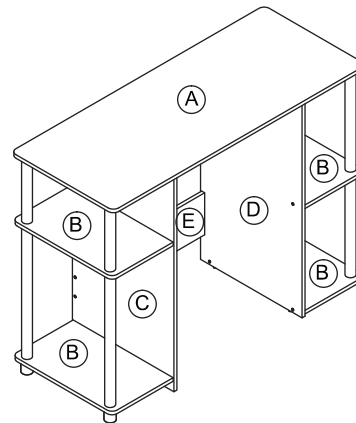
NEED HELP? For replacement requests or product inquiries, please contact our Customer Service Team by emailing us at [support@furinno.com](mailto:support@furinno.com). Thank you for selecting Furinno!

[www.furinno.com](http://www.furinno.com)



No	Hardware List	Qty
1	Mini Fix Bolt	4pcs
2	Mini Fix Cam	4pcs
3	Screw	16pcs
4	Dowel	12pcs
5	Round Pole	2pcs
6	Long Round Pole	4pcs
7	Extra Long Pole	2pcs
8	Small Round Leg	2pcs
9	Round Leg	2pcs
10	Nail Leg	4pcs
11	Round Ring	2pcs

No	Parts List	Qty
A	Top Panel	1pc
B	Side Shelf Panel	4pcs
C	Left Side Panel	1pc
D	Right Side Panel	1pc
E	Back Support Panel	2pcs



### USEFUL HINTS BEFORE YOU START:

1. Read each step carefully before starting.
2. It is important that each step is performed in correct order to avoid difficulties.
3. Identify, sort and count the parts before assembly.
4. Assemble your furniture on packaging cardboard to prevent scratch or damage.
5. Clean the product with mild cleanser using soft damped cloth. Do not use harsh or abrasive cleanser.
6. Using incompatible hardware might cause damage to product.

### ASSEMBLY INSTRUCTION

