

ASSEMBLY INSTRUCTIONS

Hanging Pumpkin Chairs



FlowerHouse[®]

www.flowerhouses.com (810) 686-8252

INTRODUCTION

Thank you for purchasing a FlowerHouse Hanging Pumpkin Chair! We have designed this chair for maximum comfort and safety. Please read this document carefully to get the most out of your chair.

FEATURES

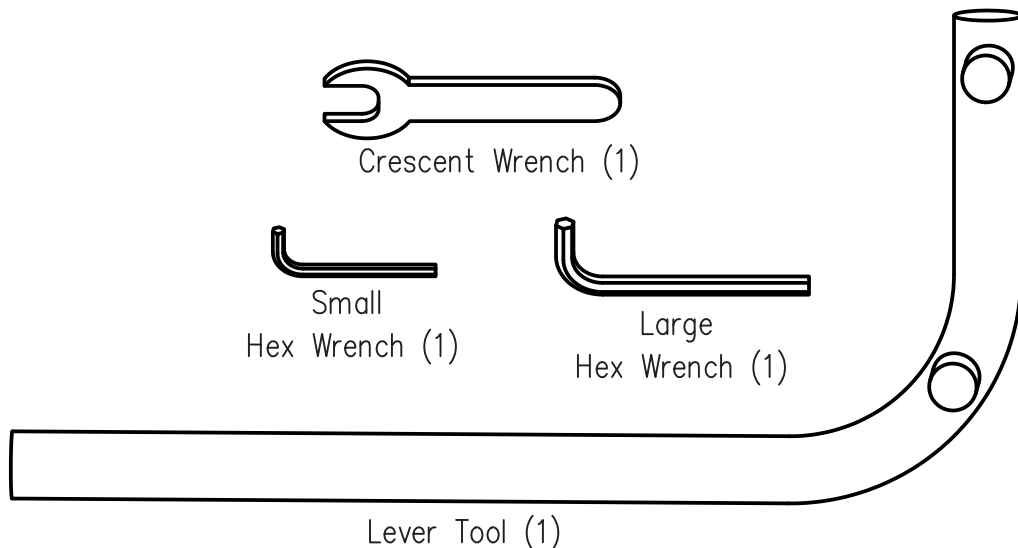
Decorative, Retractable Canopy
Single-point Hanger
Large Pillow
Two drink holders

WARNING

Follow these warnings to ensure your safety while using this chair:
Do not allow more than two people to sit in the chair.
Be sure to install the chair on a level, floor or solid outdoor surface.
Never stand on top of the chair.
Do not use the chair in high winds.
Always inspect joints periodically and tighten any loose bolts.
Never store any hazardous materials inside the chair.
Do not position the chair close to a camp fire.

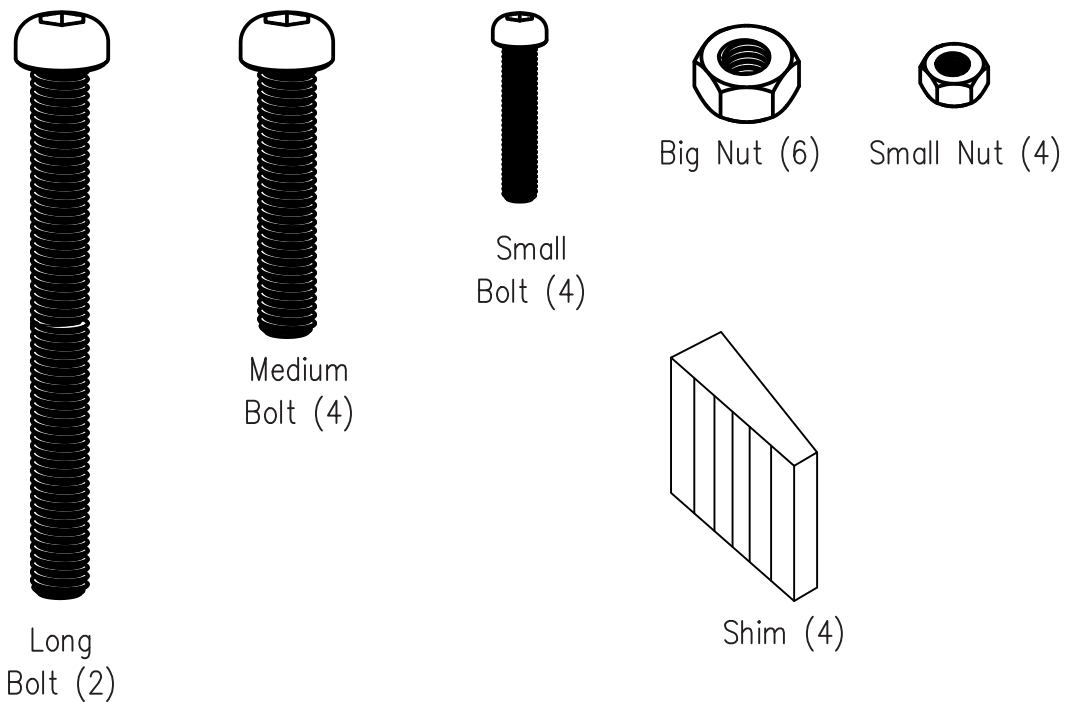
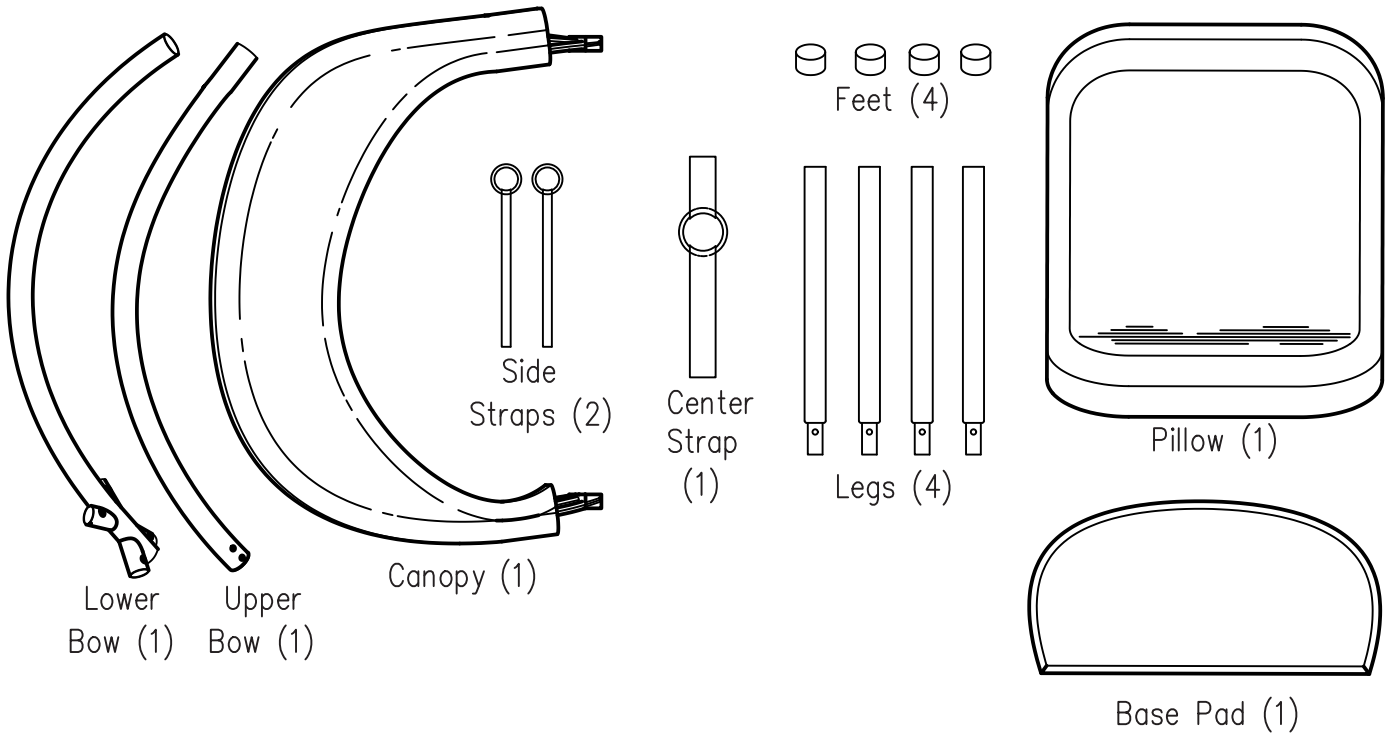
PARTS LIST

Be sure to check that all parts of the chair have been shipped below:



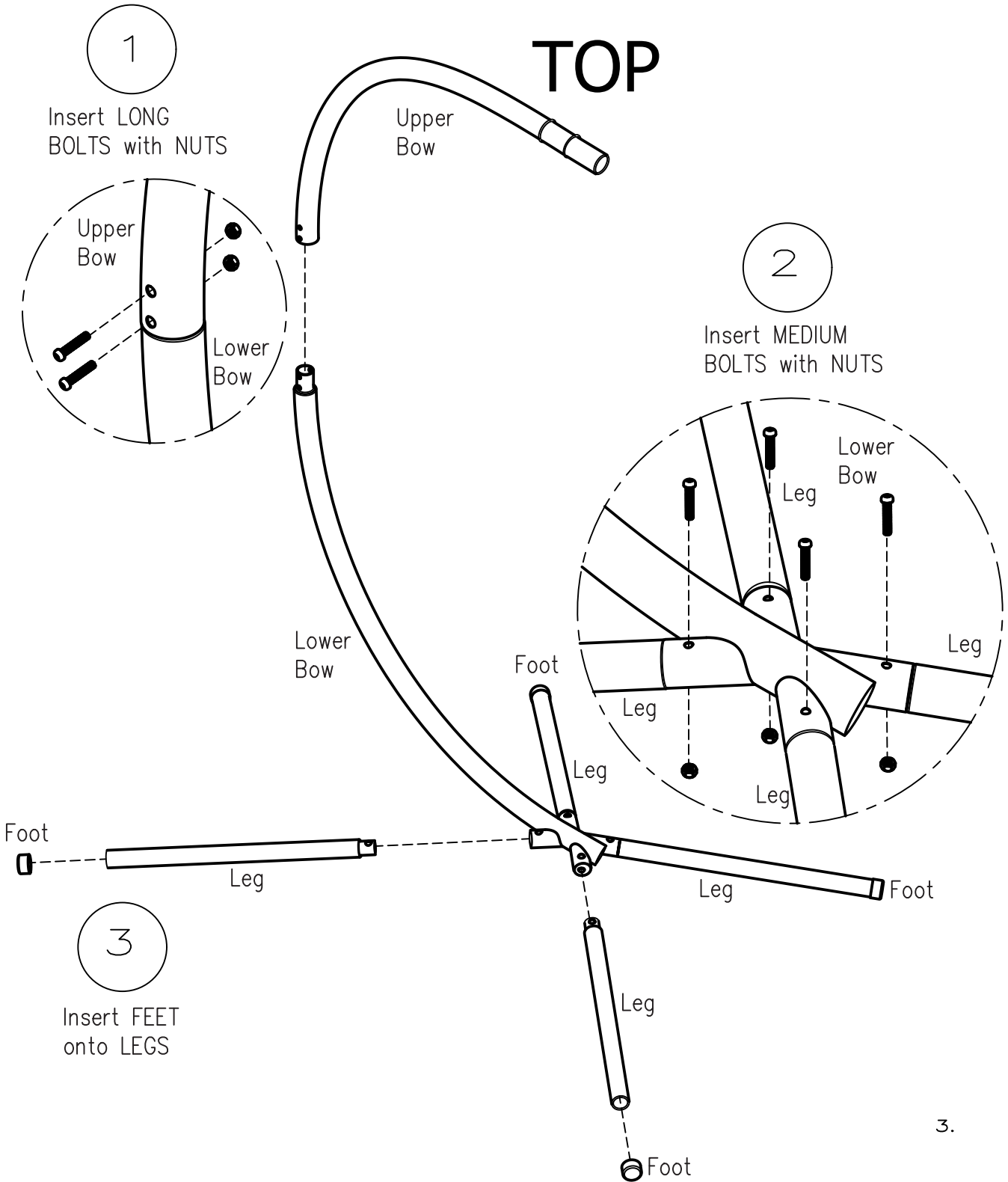
PARTS LIST (cont.)

Be sure to check that all parts of the chair have been shipped below:



ASSEMBLY

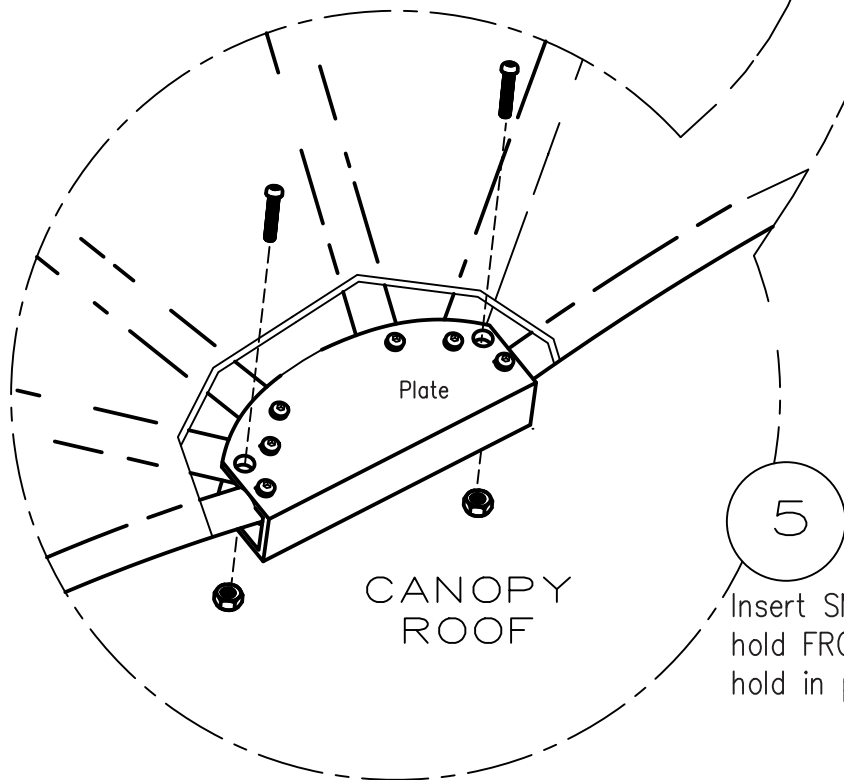
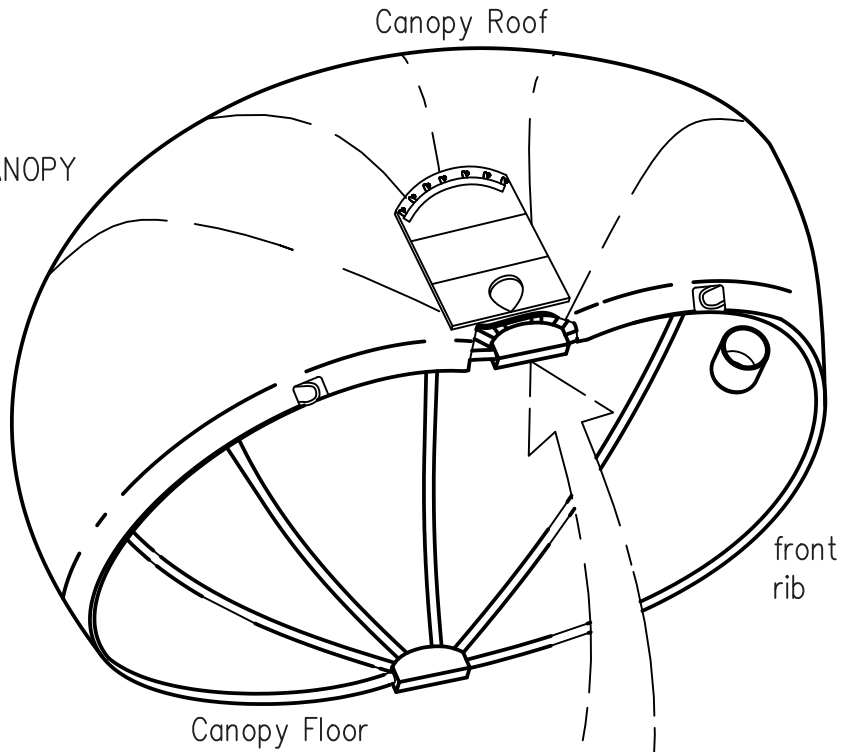
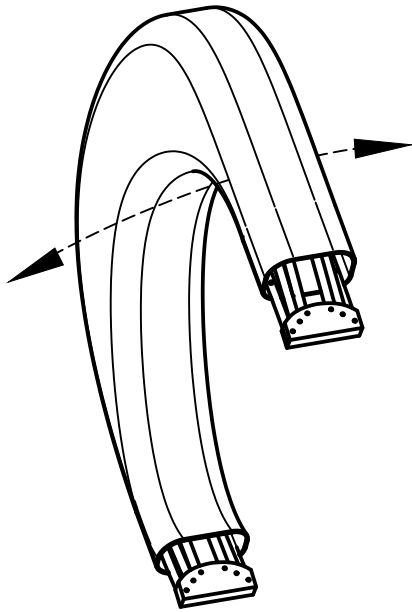
Use the crescent wrench to hold the nuts and the hex wrench to turn the bolts.



ASSEMBLY (cont.)

4

Expand the CANOPY



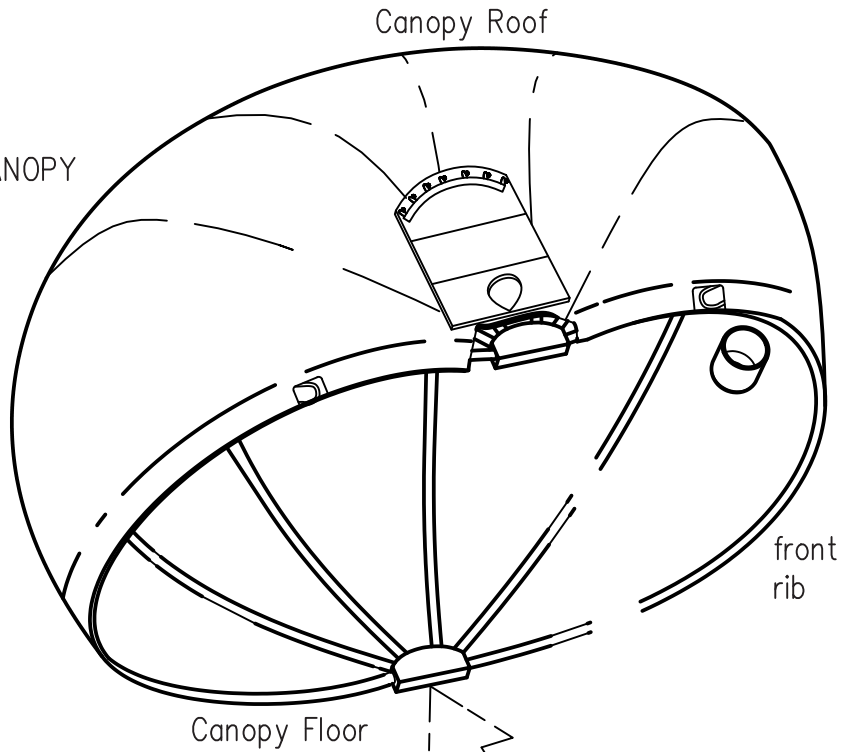
TOP

5
Insert SMALL BOLTS to hold FRONT RIB open and hold in place with NUT.

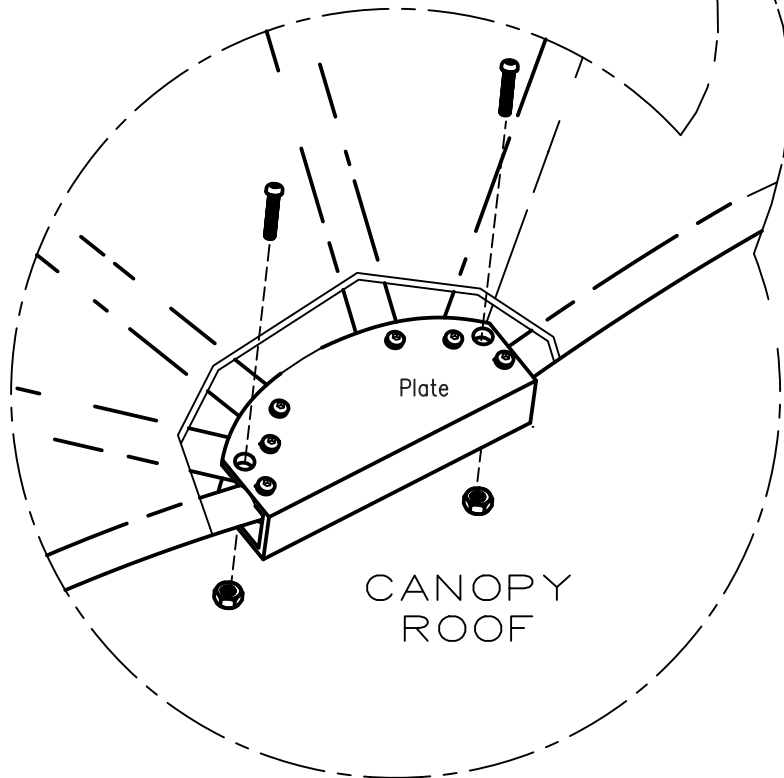
ASSEMBLY (cont.)

6

Expand the CANOPY



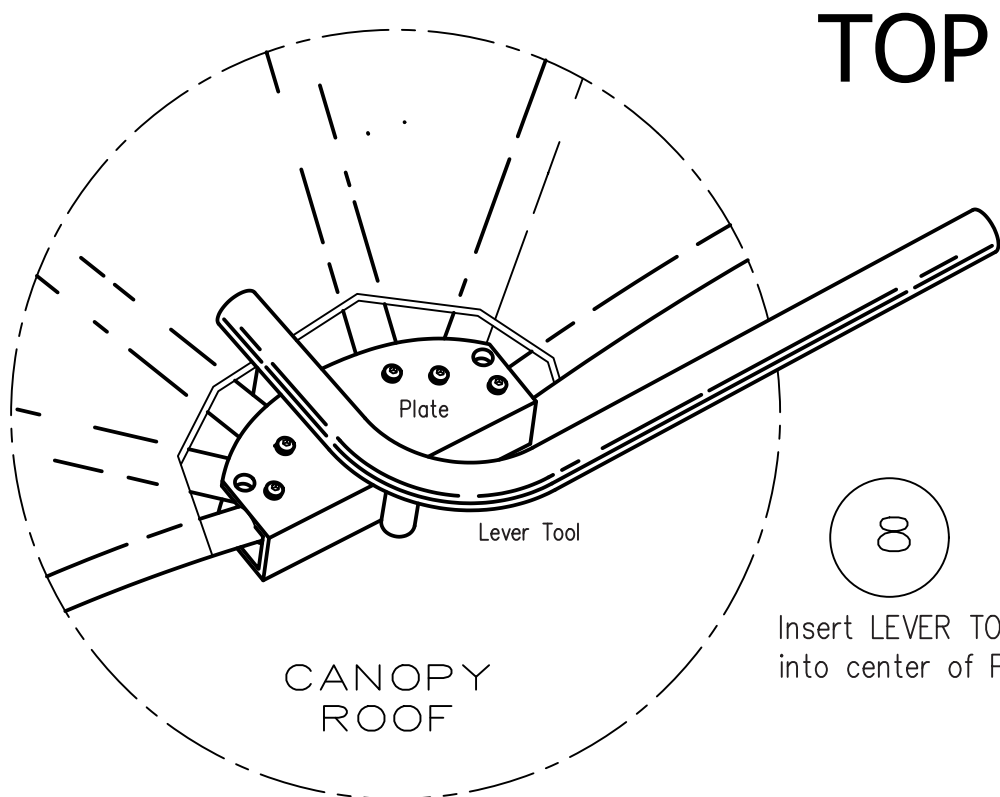
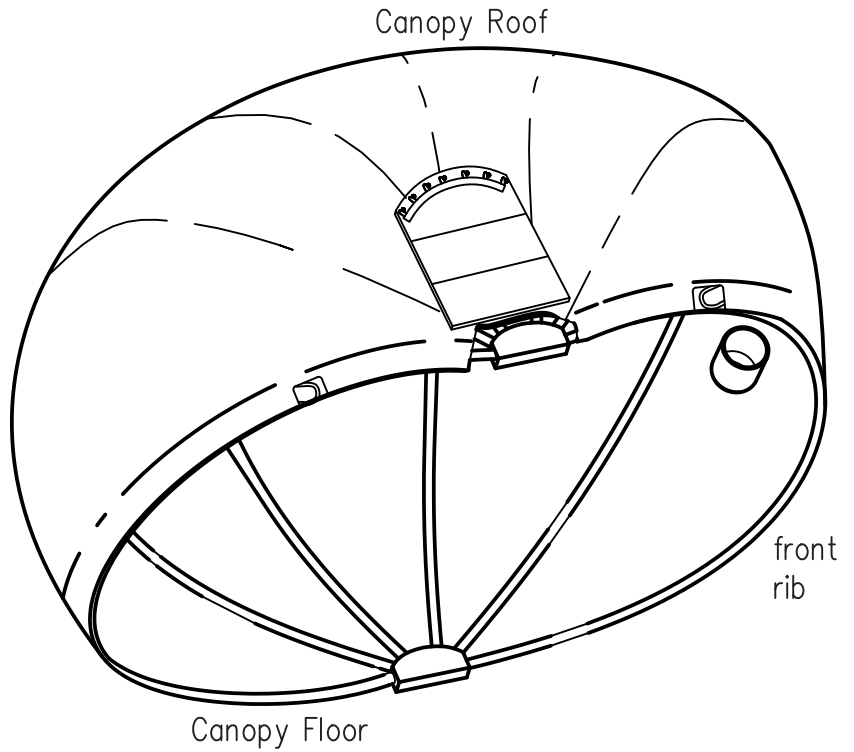
BOTTOM



7

Insert SMALL BOLTS to hold FRONT RIB open and hold in place with NUT.

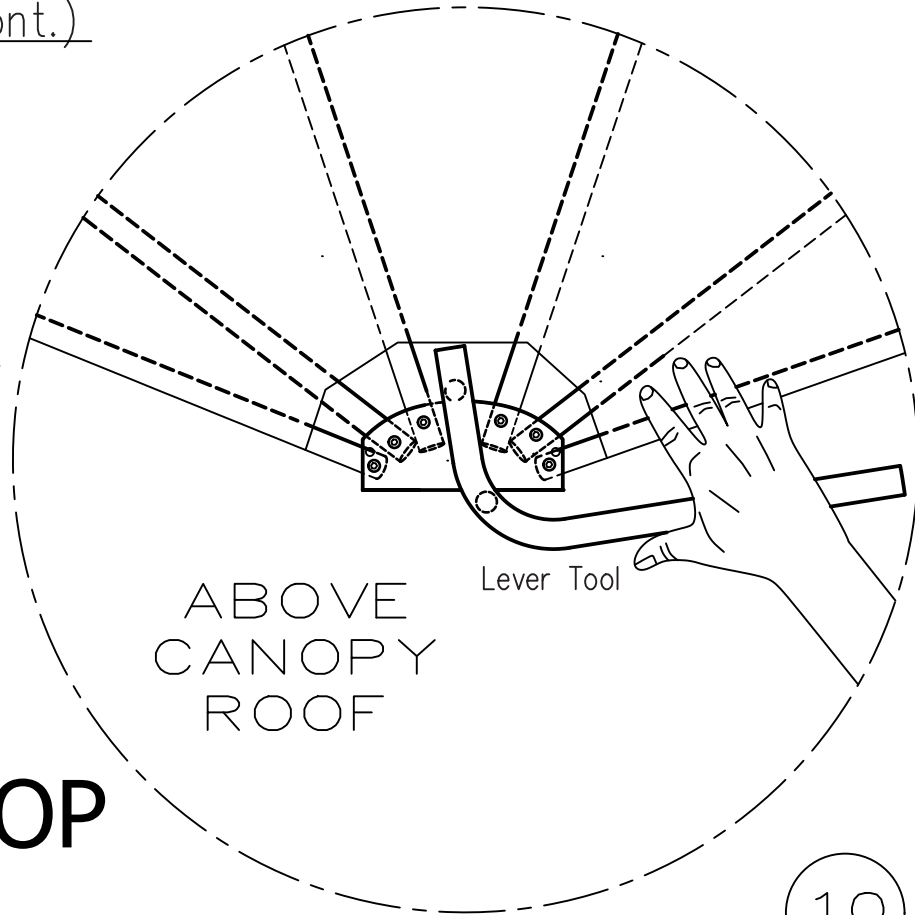
ASSEMBLY (cont.)



ASSEMBLY (cont.)

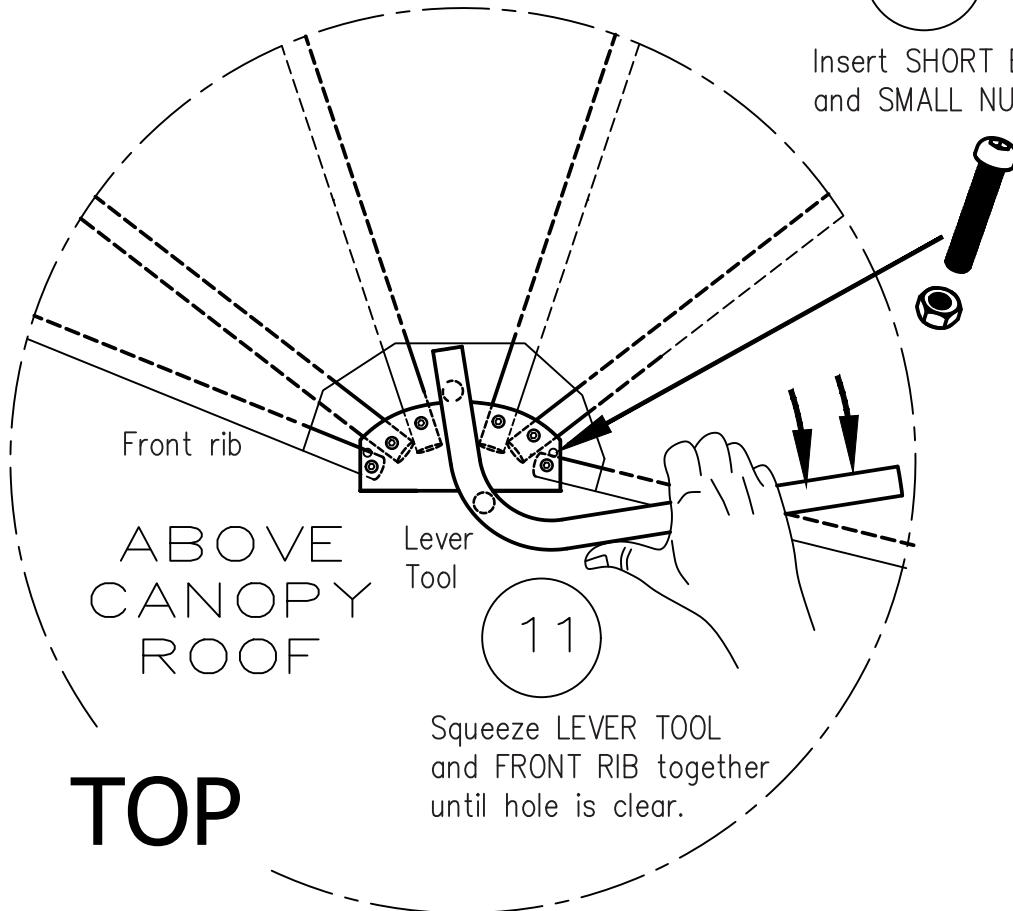
9

Grasp LEVER TOOL
and FIRST RIB



10

Insert SHORT BOLT
and SMALL NUT.



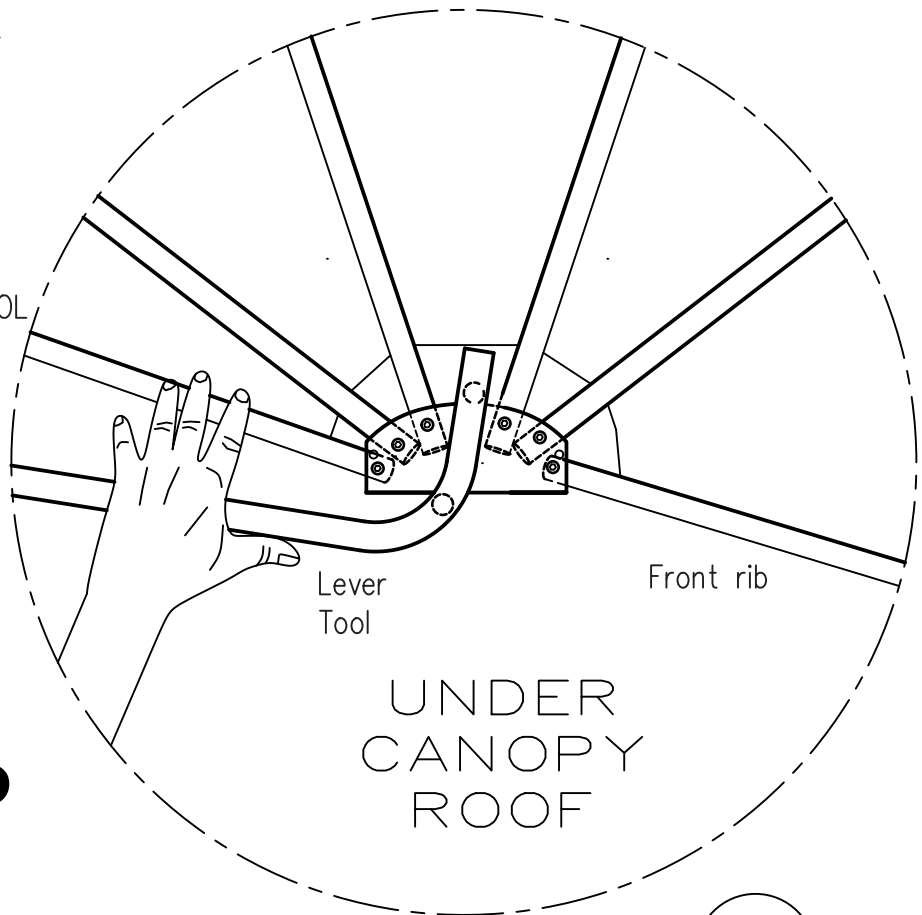
11

Squeeze LEVER TOOL
and FRONT RIB together
until hole is clear.

ASSEMBLY (cont.)

12

Grasp LEVER TOOL
and FIRST RIB



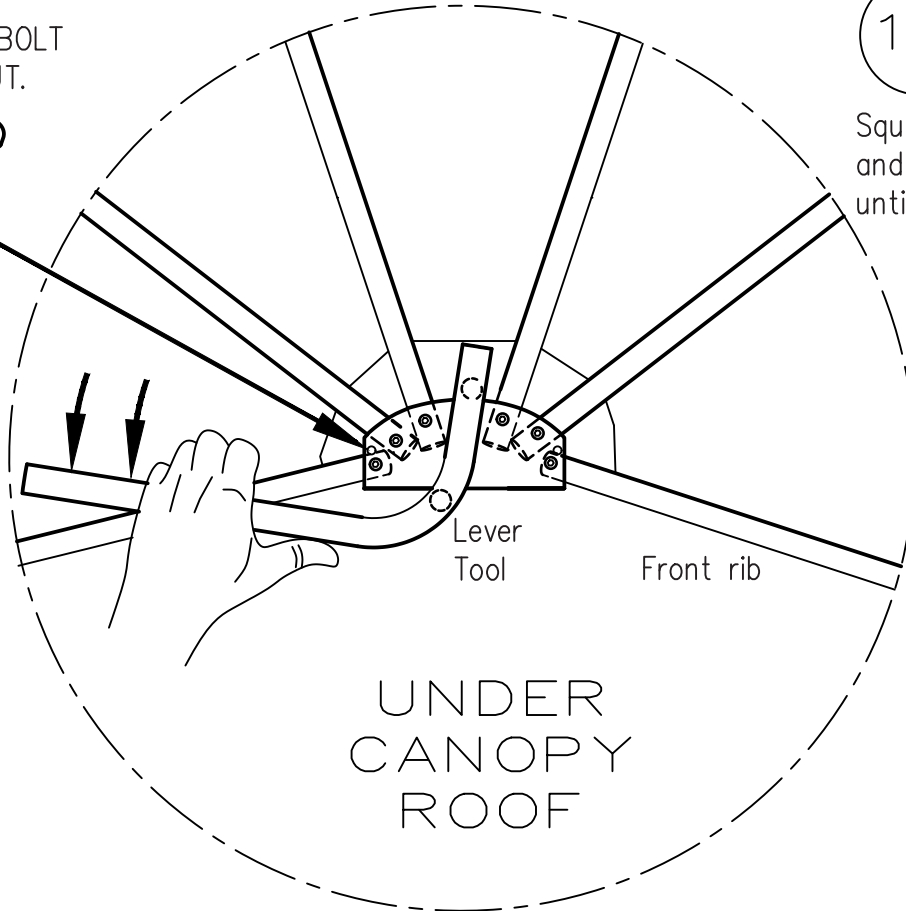
TOP

13

Squeeze LEVER TOOL
and FRONT RIB together
until hole is clear.

Insert SHORT BOLT
and SMALL NUT.

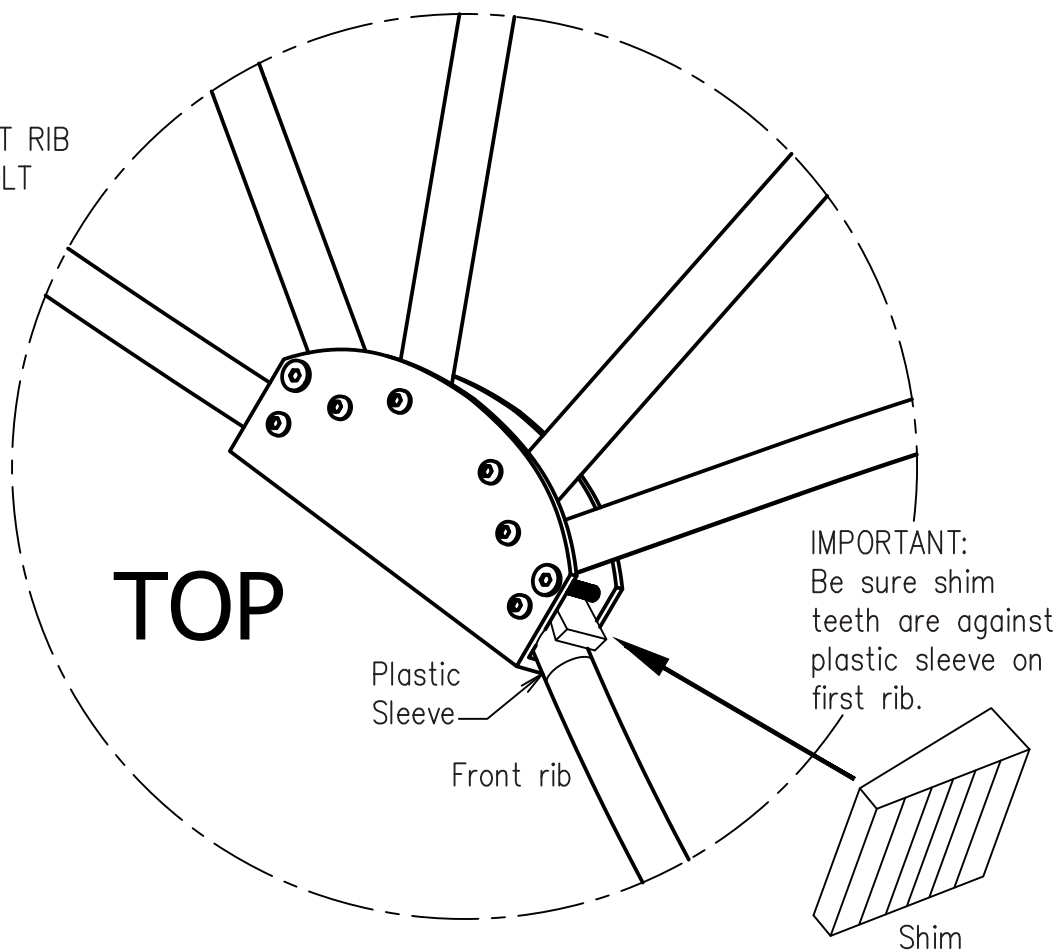
14



ASSEMBLY (cont.)

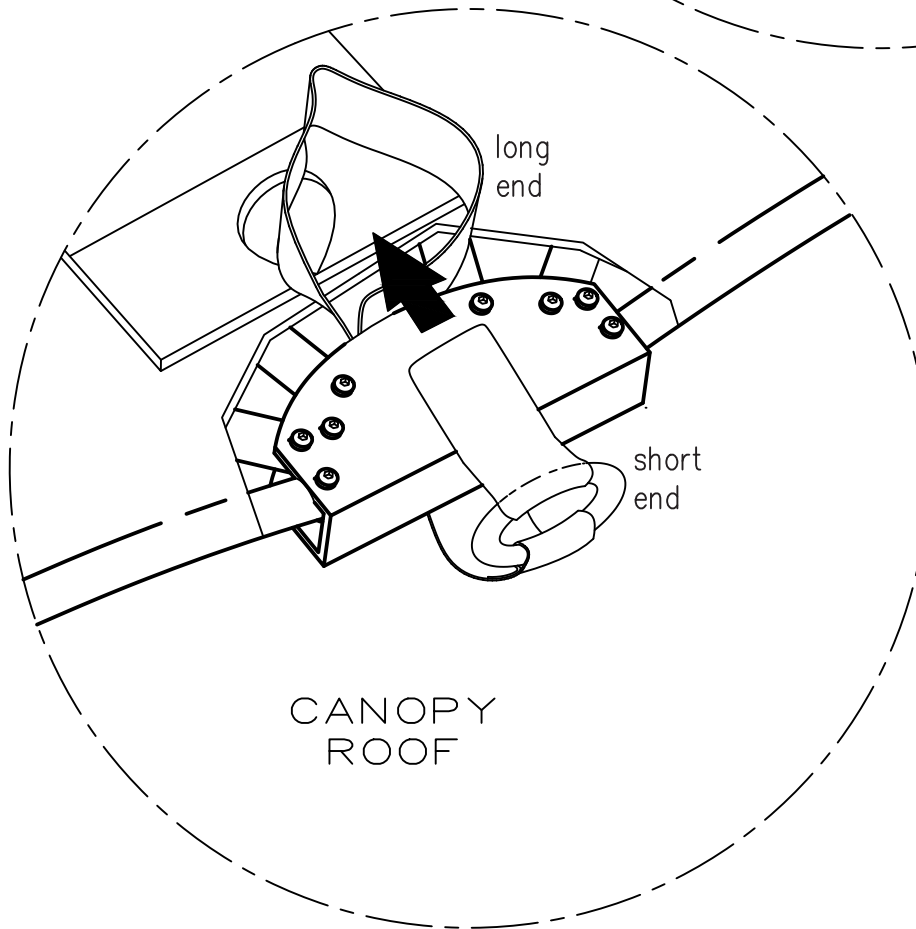
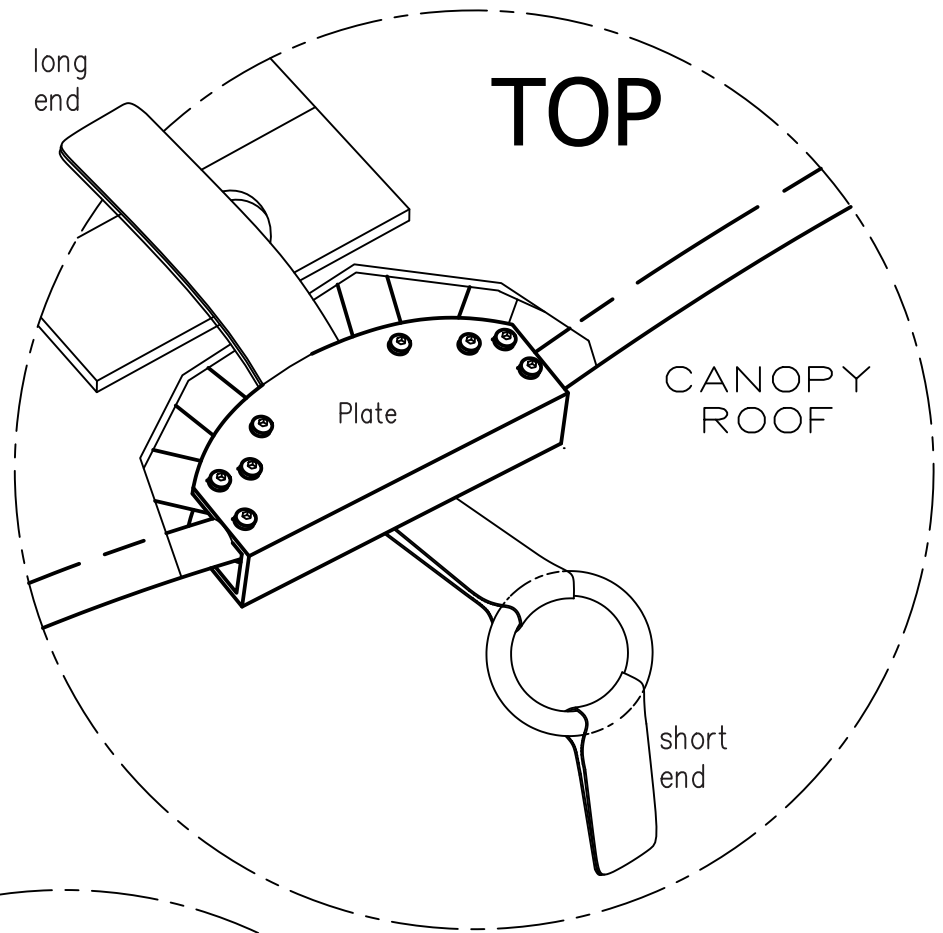
15

Insert SHIM
between FIRST RIB
and LONG BOLT
(optional)



16

Thread long end of
CENTER STRAP
through plate

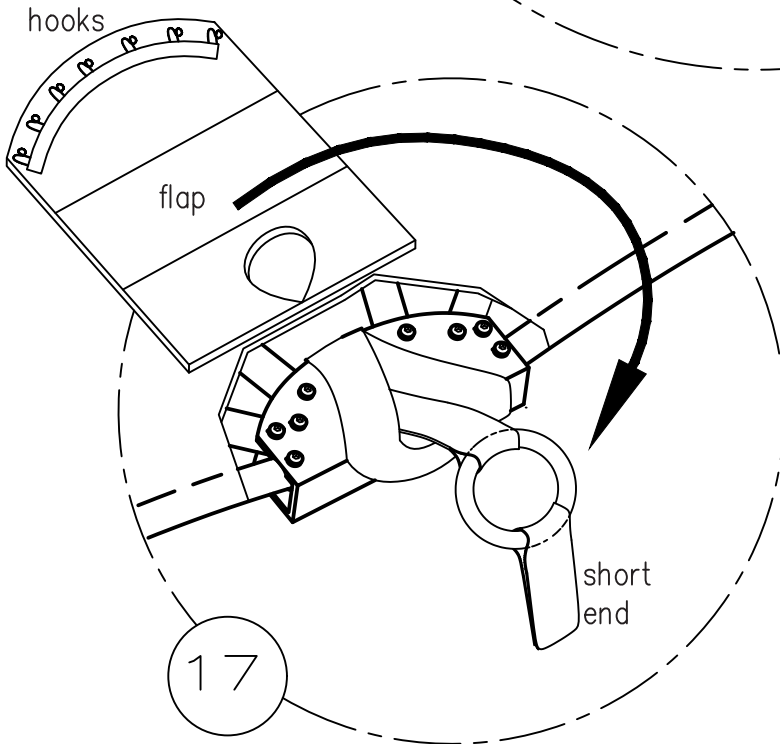
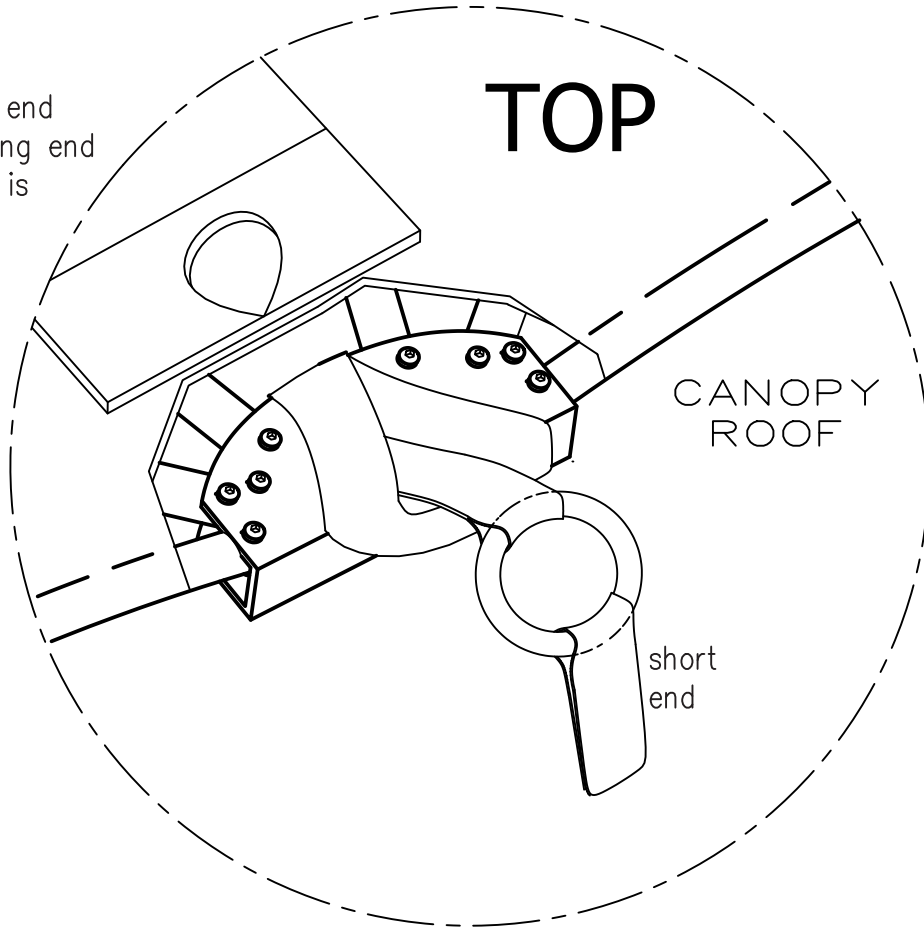


17

Open long end of
CENTER STRAP, feed
short end through

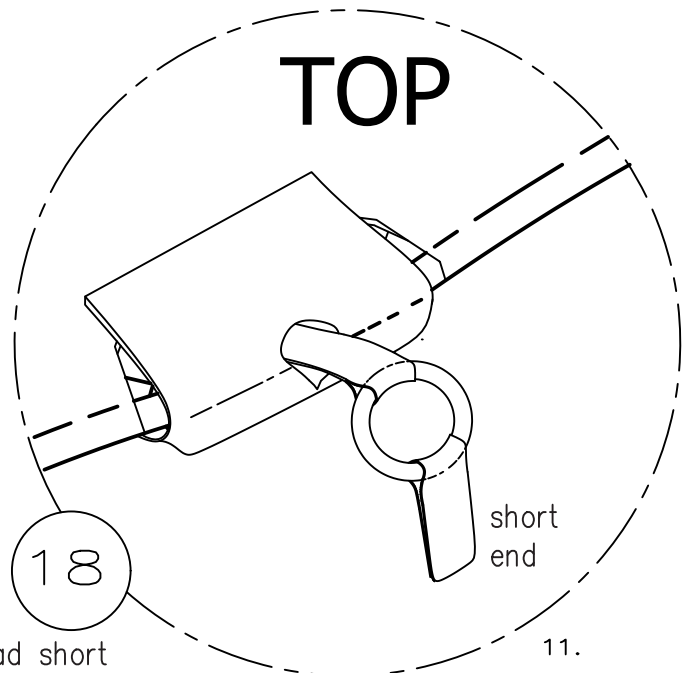
16

Pull short end through long end until RING is through



17

Pull FLAP over short end

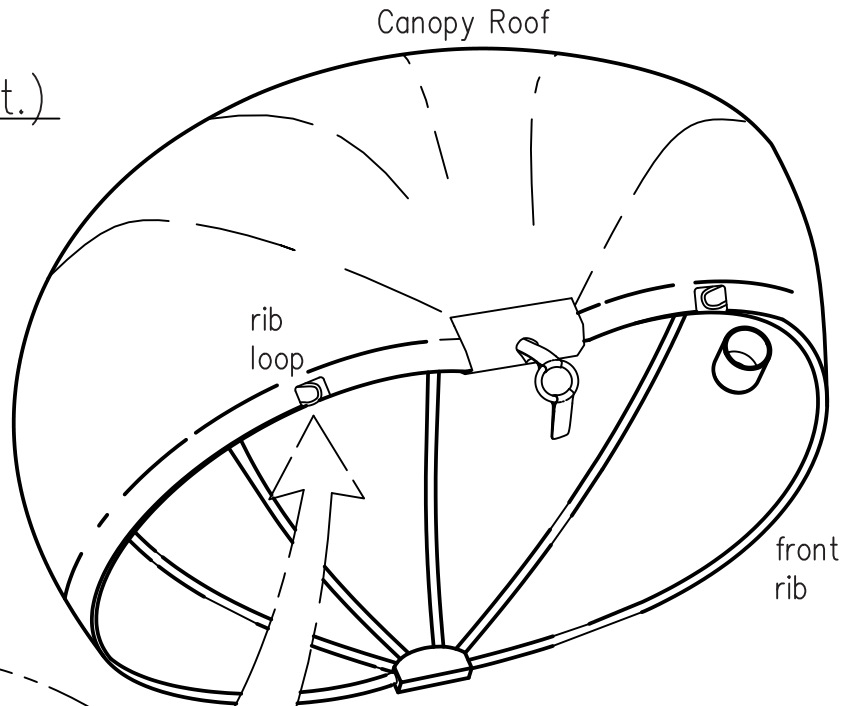


18

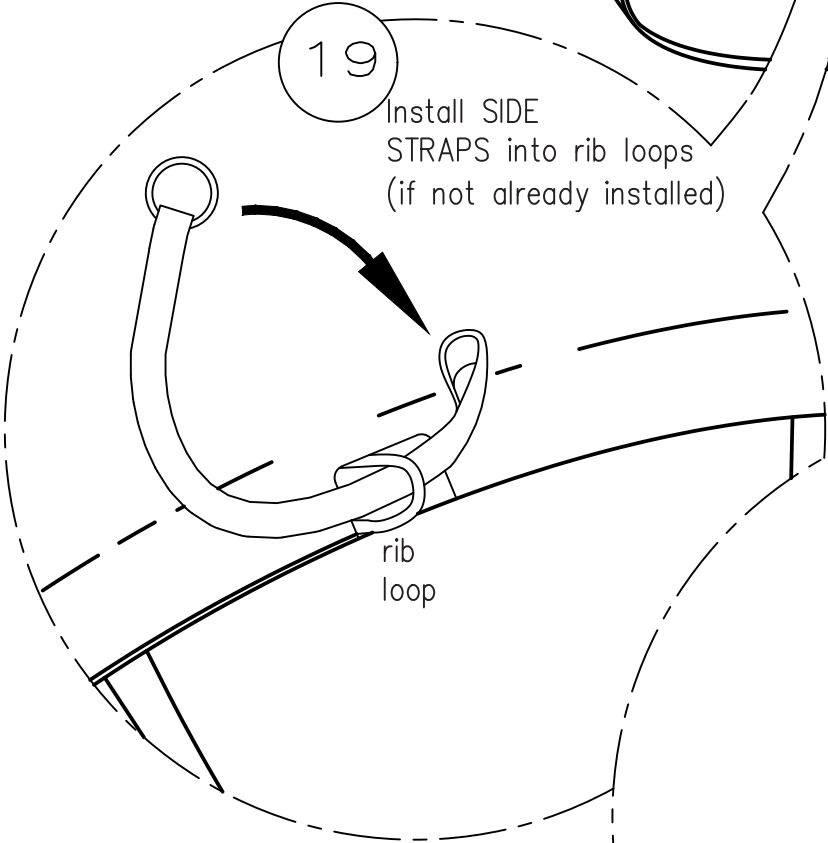
Thread short end through FLAP and affix HOOKS to SMALL RINGS under canopy

11.

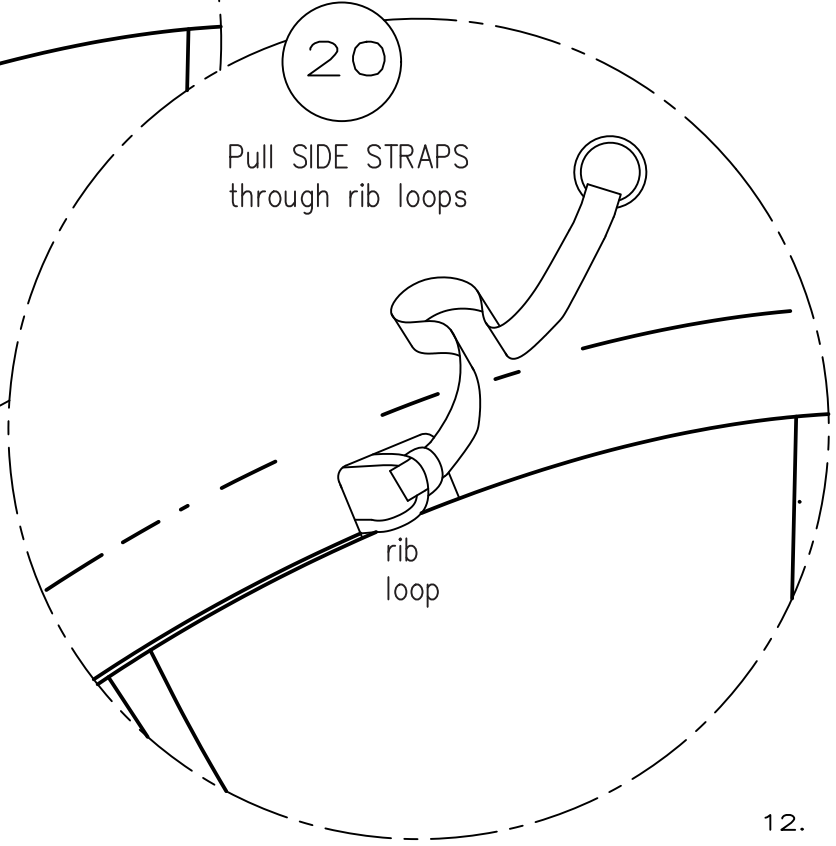
ASSEMBLY (cont.)



19 Install SIDE STRAPS into rib loops (if not already installed)

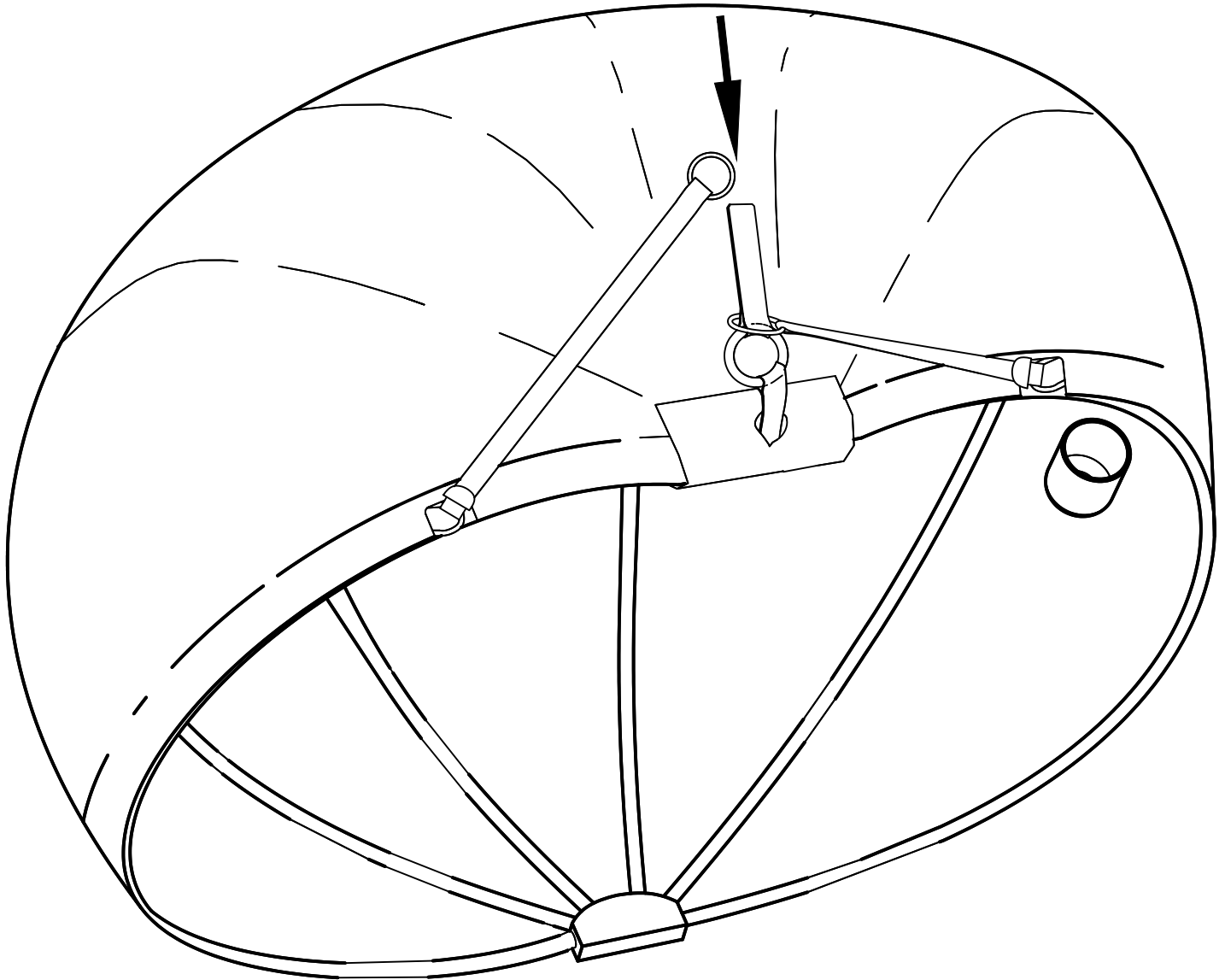


20 Pull SIDE STRAPS through rib loops



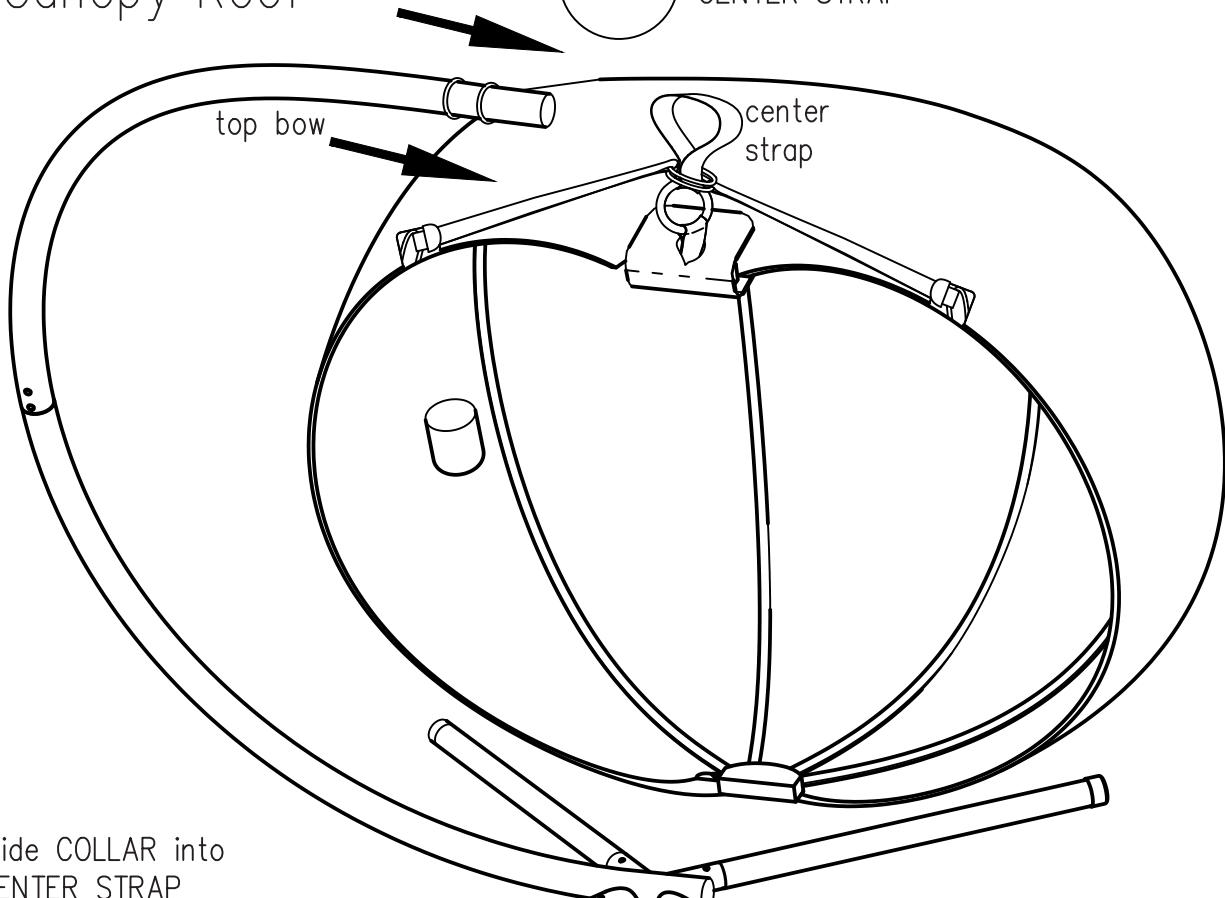
ASSEMBLY (cont.)
Canopy Roof

21 Slide SIDE STRAP rings
onto CENTER STRAP



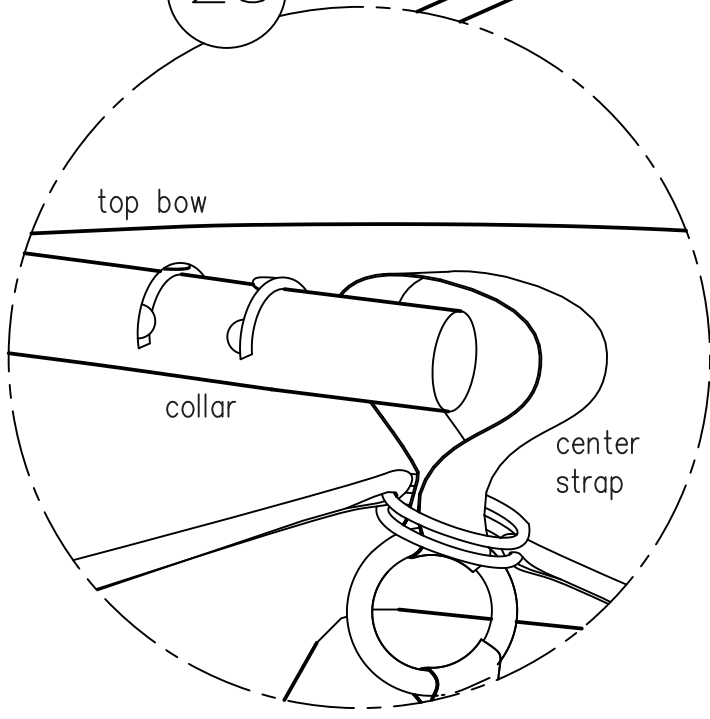
ASSEMBLY (cont.)
Canopy Roof

22 Position TOP BOW near
CENTER STRAP



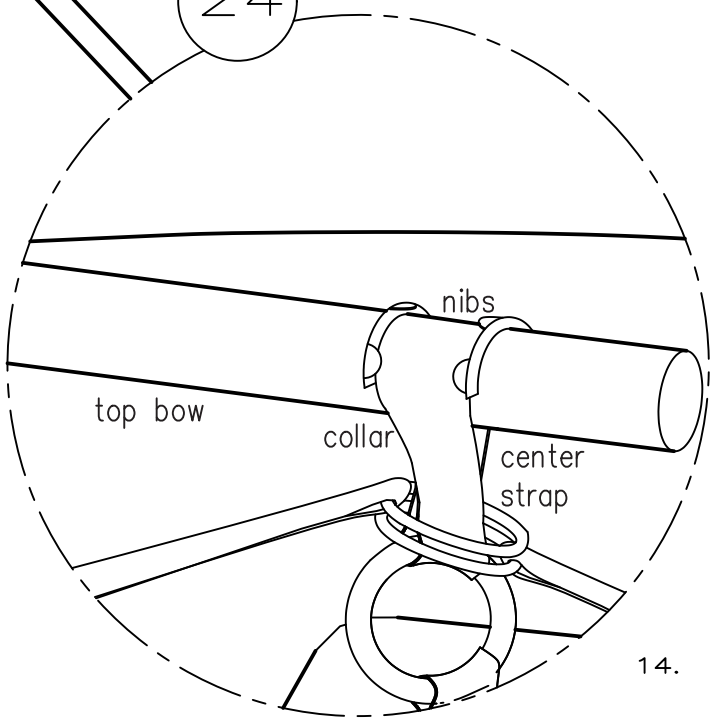
Slide COLLAR into
CENTER STRAP

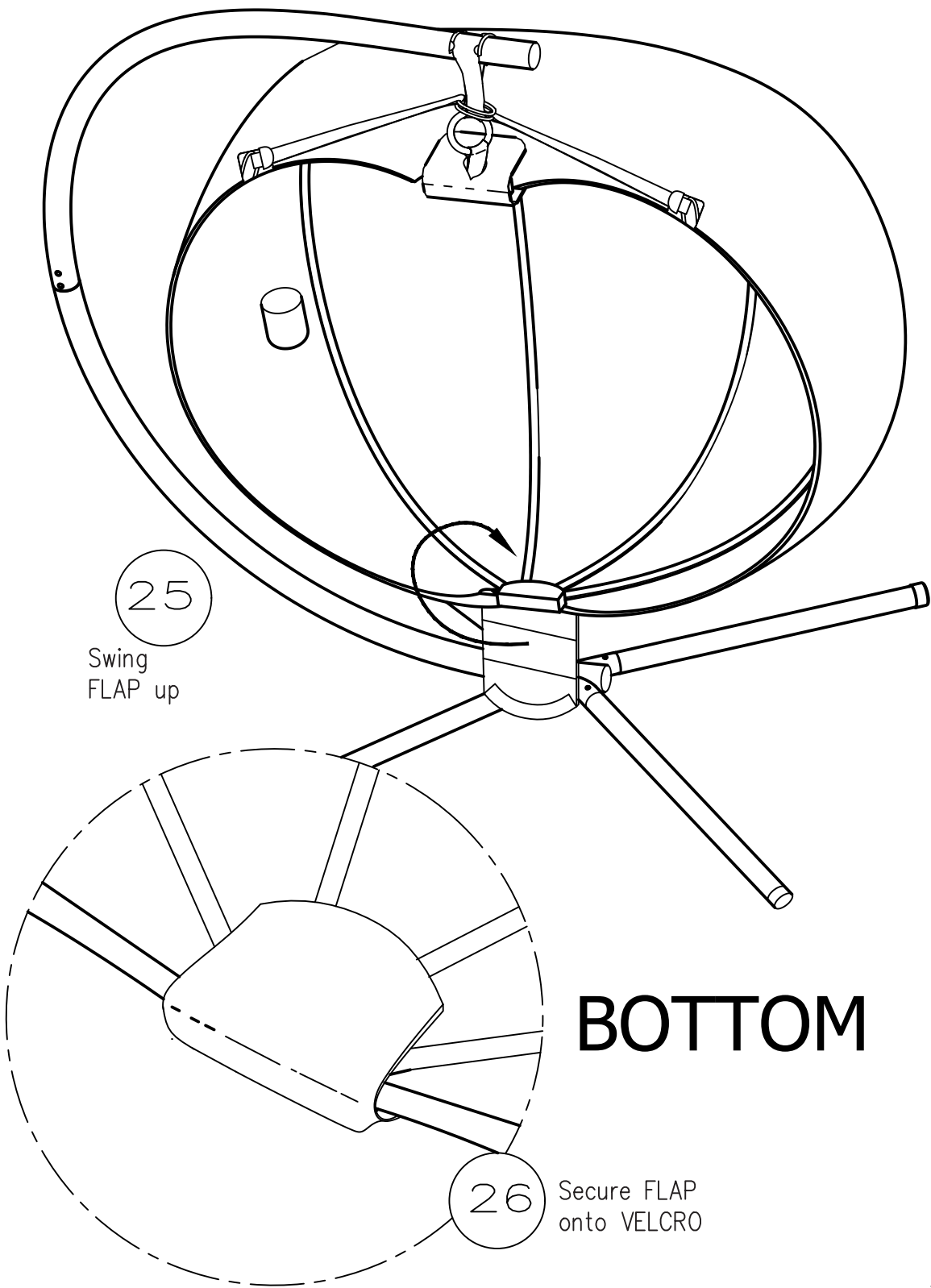
23



Be sure CENTER STRAP
is under COLLAR nibs

24





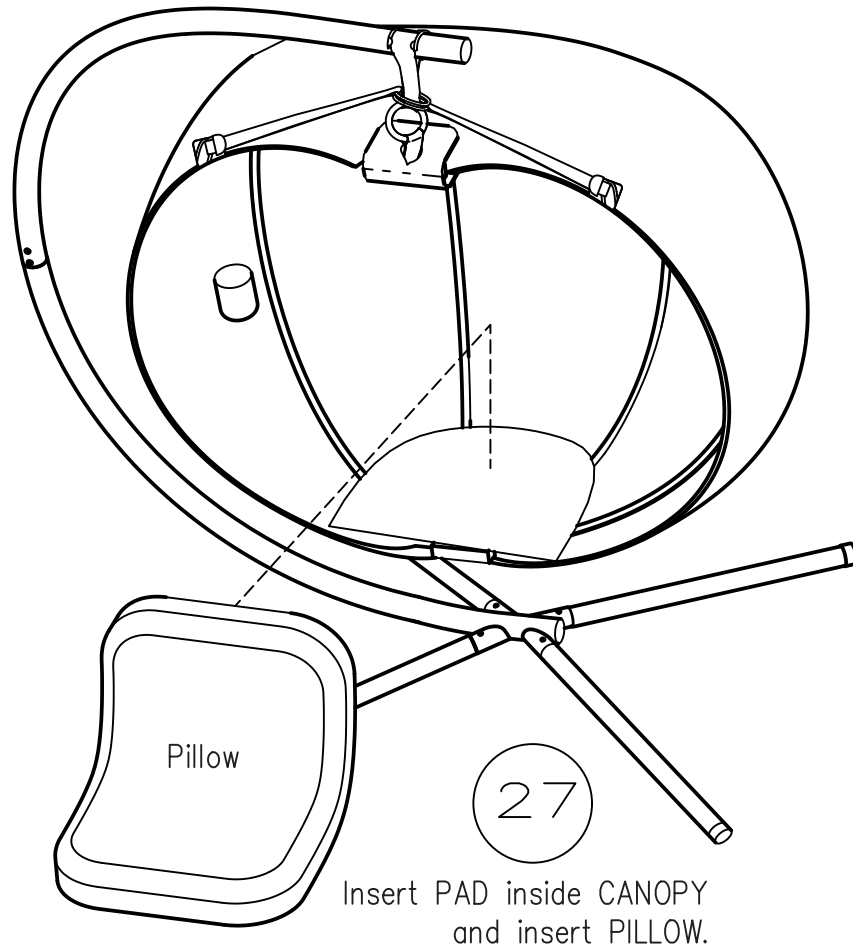
25

Swing
FLAP up

BOTTOM

26

Secure FLAP
onto VELCRO



ROUTINE MAINTENANCE

Check to see that all nuts and bolts are tight – tighten if loose.

DISCLAIMER

This Manual relates solely and exclusively to the Hanging Pumpkin Chairs including but not limited to the operation thereof. Failure to adhere to this manual or to properly focus on the operation of the Hanging Pumpkin Chairs can result in death, serious injury and property damage. Always operate the Cozy Chair in a safe manner and in full compliance with this manual. FlowerHouse is not liable for any injuries or damages to any operators, property or bystanders incurred as a result of using the Hanging Pumpkin Chairs by its customers. FlowerHouse also cannot be held liable for any and all errors in this manual or for any incidental or consequential damages that result for the use of the material presented in this manual. This manual contains proprietary information belonging solely and exclusively to FlowerHouse. All rights are reserved. No part of this manual may be photocopied, reproduced or translated to another language without the written consent of FlowerHouse.