

## PRODUCT SPECIFICATIONS

**OVERALL ASSEMBLED DIMENSIONS**

HEIGHT: 53.3 CM (21"), WIDTH: 42 CM (16-1/2") DIA.

- BIRD BATH:** PAINTED CONCRETE IN WOOD GRAIN FINISH, 42 CM (16-1/2") DIA. x 11.4 CM (4-1/2") HEIGHT, SHAPED AS SHOWN. WEIGHT: 7.7 LBS.

- BASE:** PAINTED CONCRETE IN WOOD GRAIN FINISH, 20.5 CM (8") DIA. MAX. x 41.3 CM (16-1/4") HEIGHT, SHAPED AS SHOWN. WEIGHT: 8.8 LBS.

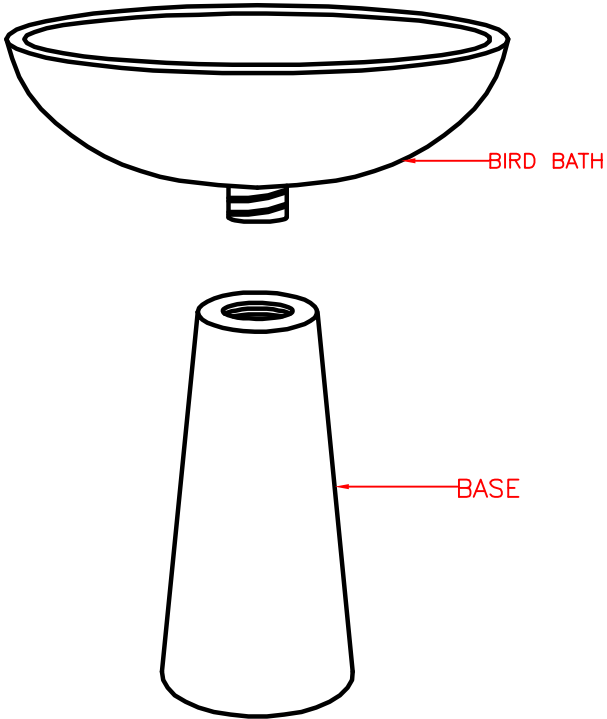
- LABELS:** MANUFACTURING DATE, MODEL # AND COUNTRY OF ORIGIN LABEL PROVIDED.

**PACKAGING AND SHIPPING DETAILS:**

- THE ITEM IS DISASSEMBLED FOR SHIPPING. EACH PART IS CAREFULLY WRAPPED IN A PLASTIC BAG AND PLACED SECURELY IN THE INNER PACKING SO IT CAN NOT MOVE AROUND DURING SHIPPING.
- THE CARTON IS MADE OF DOUBLE WALL, CORRUGATED CARDBOARD "A MA A". BROWN IN COLOR. THE INNER PACKING IS CASTING POLYFOAM TO PROTECT AND SECURE THE BIRD BATH, AND MUST PASS THE FEDEX AND ISTA-3A DROP TEST REQUIREMENTS.
- EACH CARTON SHALL BE PRINTED WITH A LINE DRAWING AND THE KENROY HOME NAME AND LOGO, MODEL NUMBER AND FINISH, EACH CARTON SHALL BE PROVIDED A UPC LABEL. THE UPC BAR CODE AS FOLLOWS: 053392984076.

**OTHER DETAILS:**

- MODEL 51018WDG INSTRUCTIONS ARE TO BE PACKED WITH EACH BIRD BATH. INSTRUCTIONS MUST BE PRINTED CLEARLY ON QUALITY PAPER.
- ALL BAGS MUST BE LABELED WITH OFFICIAL "THIS BAG IS NOT A TOY" STATEMENT.
- WE REQUIRED THAT A COLOR PIGMENT CLOSE TO THE FINISH COLOR OF THE ORNAMENT MUST BE MIXED INTO THE LIGHT CONCRETE/MATERIAL PRIOR TO THE MOLD COMPLETION. THIS IS TO ASSURE IF WE HAVE ANY PEELING OF PAINT THE CONCRETE IS THE SIMILAR COLOR AS THE FINISH OF THIS ITEM.
- EACH BIRD BATH SHOULD HAVE A PIGMENT COLOR REFERENCE CHIP FOR THE UNPAINTED GOODS FOR INSPECTION.
- DIMS OF BOX: 48 CM (18-7/8") LENGTH x 39.4 CM (15-1/2") WIDTH x 48.3 CM (19") HEIGHT. (CUFT.: 3.2')
- NET WEIGHT: 16.5 LBS.
- GROSS WEIGHT: 19.8 LBS.



<p style="font-size: 1.2em; font-weight: bold; margin: 0;">KENROY HOME</p> <p style="font-size: 0.8em; margin: 0;">3723 Regent Boulevard JACKSONVILLE, FL. 32224 PHONE: 904-642-4340 FAX: 904-642-4150</p>	THIS DOCUMENT AND THE INFORMATION THAT IT DISCLOSES IS THE EXCLUSIVE PROPERTY OF KENROY HOME. ANY REPRODUCTION OR USE OF THIS DRAWING IN PART OR IN WHOLE, WITHOUT THE EXPRESS CONSENT OF THE PROPRIETOR IS PROHIBITED. © 2018 KENROY HOME.			REVISION DATE:	MODEL #:
				REVISION DATE:	51018WDG
	DATE: 1/3/2018	SCALE: NONE	DRAWN BY: ARVIN	REVISION DATE:	FINISHES: <b>WOOD GRAIN</b>
	REFERENCE: WOODLAND OUTDOOR BIRD BATH		APPROVAL:	REVISION DATE:	PAGE: 1 OF 1