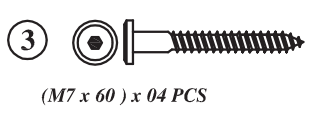
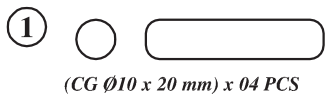
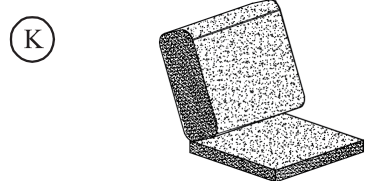
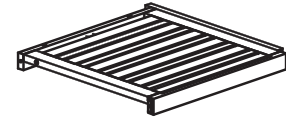
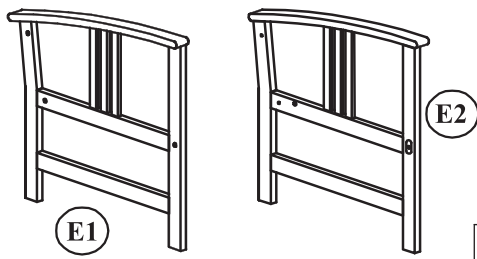


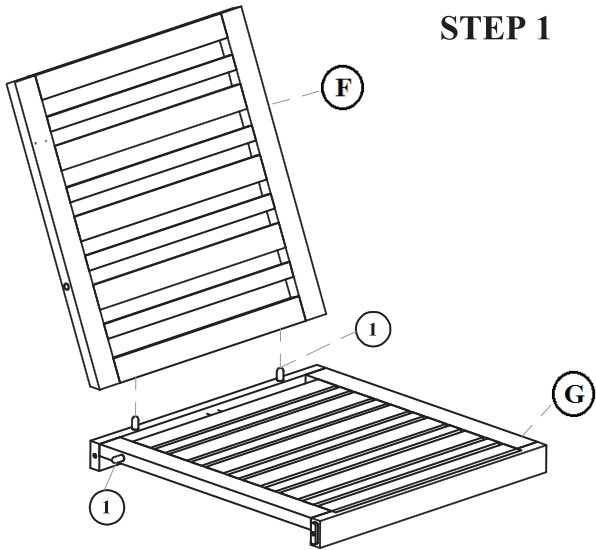
E Frame leg (Left + right)
x 02 PCS

F Frame backrest x 01 PC

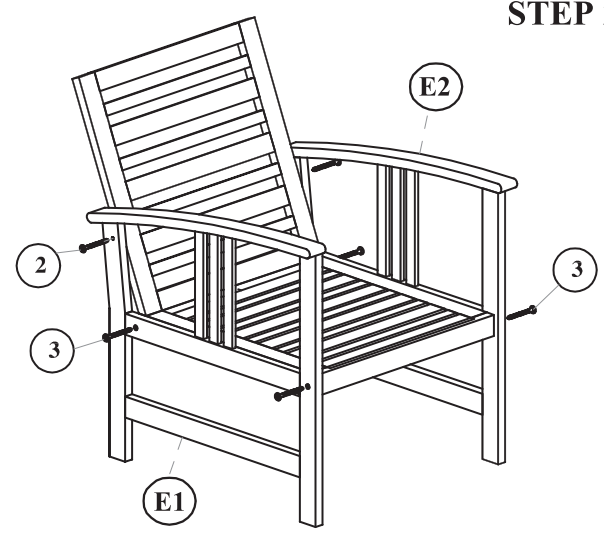
G Frame seater x 01 PC



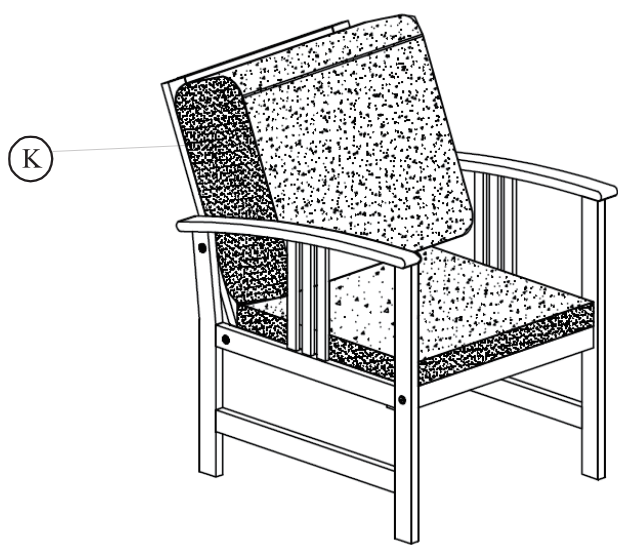
STEP 1



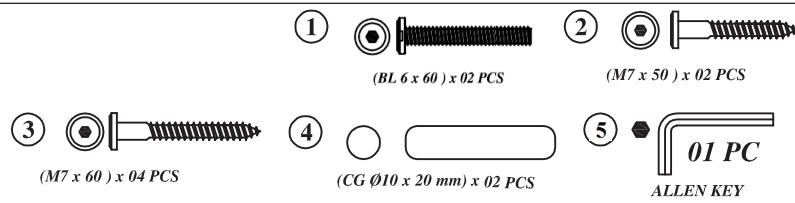
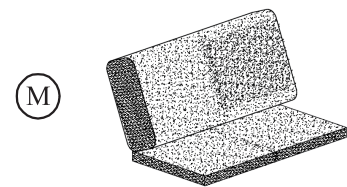
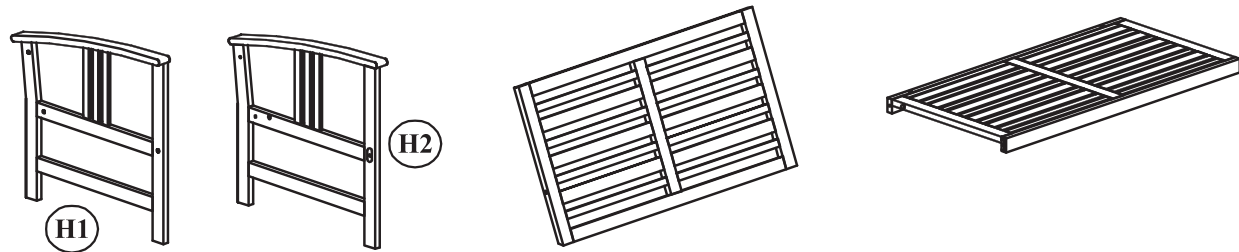
STEP 2



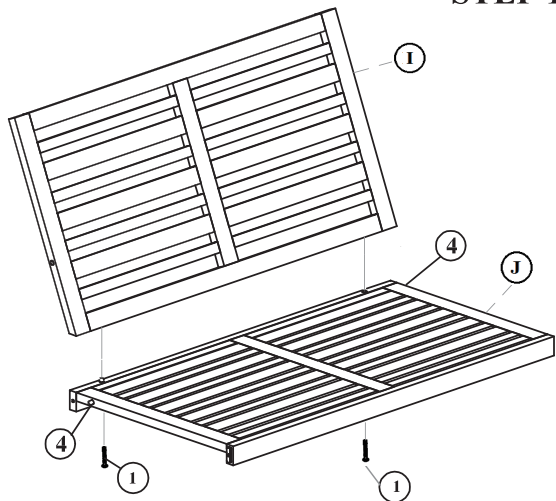
STEP 3



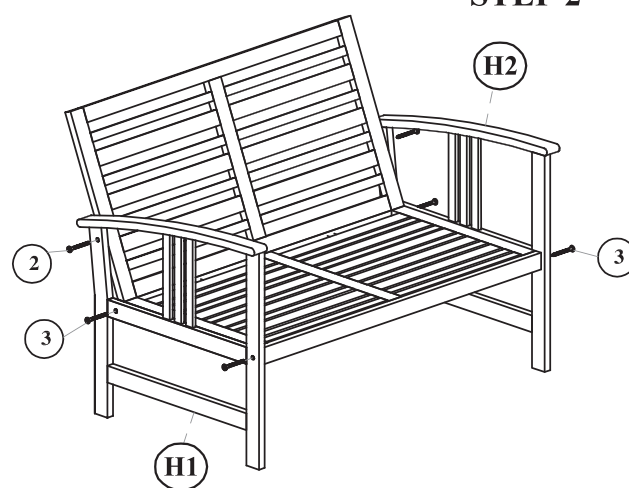
- H** Frame leg (Left + right) x 02 PCS
I Frame backrest x 01 PC
J Frame seater x 01 PC



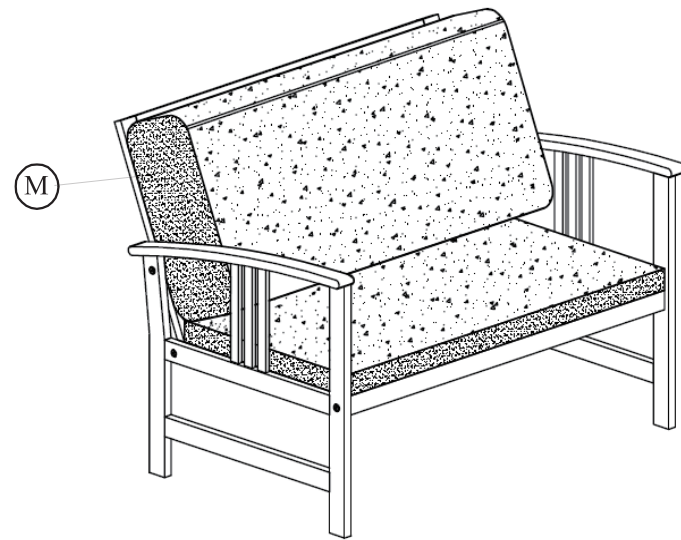
STEP 1



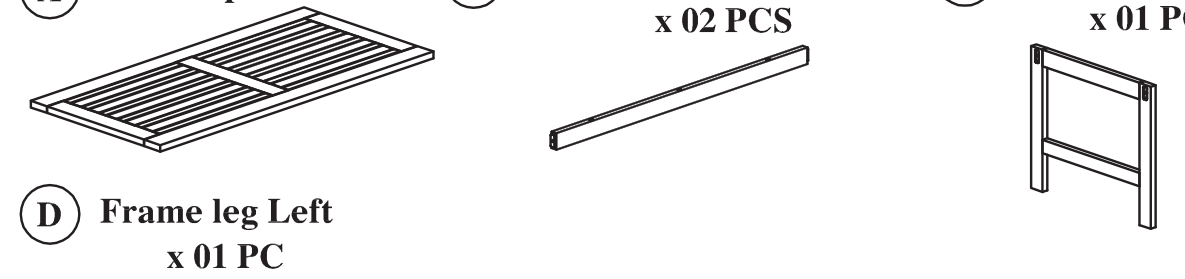
STEP 2



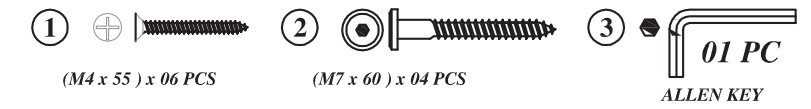
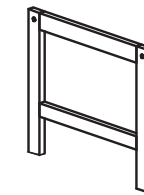
STEP 3



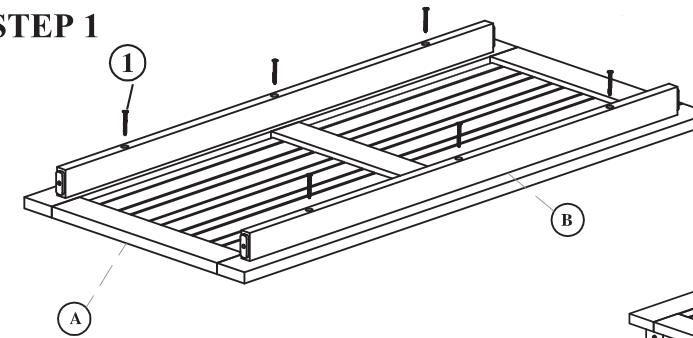
- A** Table top x 01 PC
B The bar support top table x 02 PCS
C Frame leg right x 01 PC



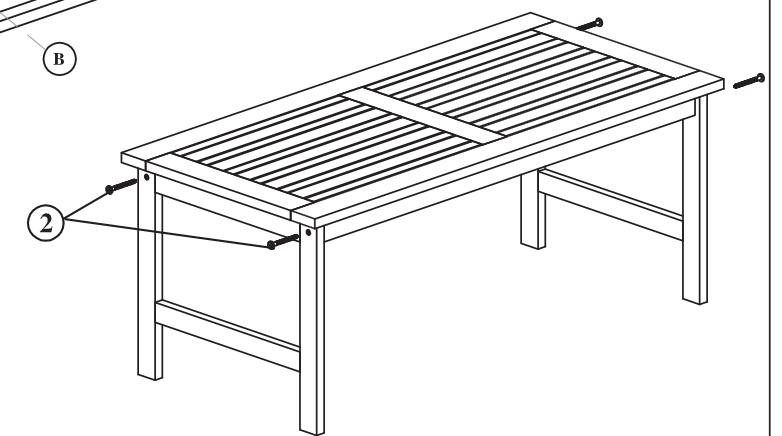
- D** Frame leg Left x 01 PC



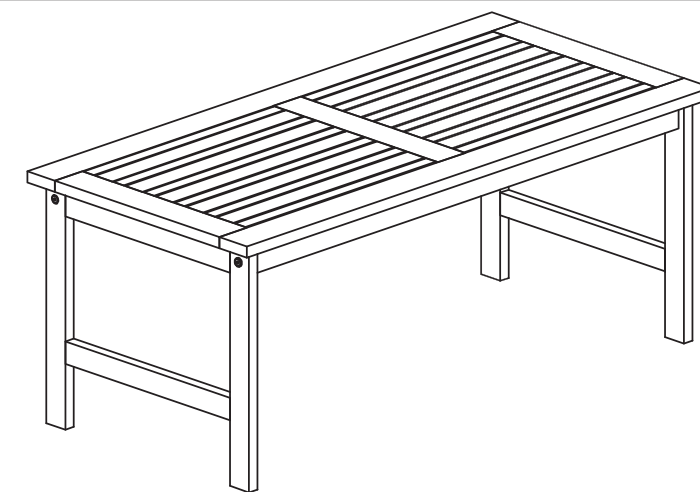
STEP 1



STEP 2



STEP 3



Care and Maintenance

Use a soft, clean cloth that will not scratch the surface when dusting.

Use of furniture polish is not necessary.

Should you choose to use polish, test first in an inconspicuous area.

Using solvents of any kind on your furniture may damage the finish. Liquid spills should be removed immediately. Using a soft clean cloth, blot the spill gently. Avoid rubbing.

Check bolts/screws periodically and tighten them if necessary.

Further advice about wood furniture care

Please protect your outdoor furniture with a cover when not in use since Long-term sunlight exposure will result in the damage on the surface.

In addition to sunlight damage, wood and metal frame suffers when exposed to extremes in temperature and humidity.

Proper care and cleaning at home will extend the life of your purchase.

Following these important and helpful tips will enhance your furniture as it ages.
