

ELECWISH®

Bathroom Vessel Sink

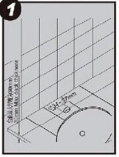
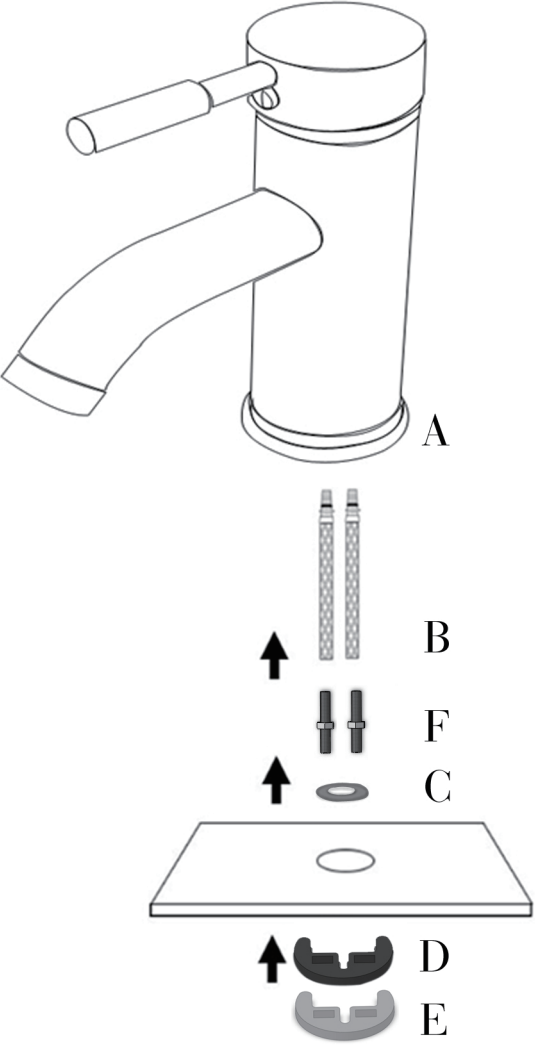
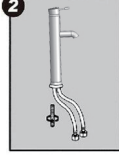
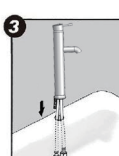
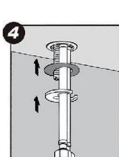
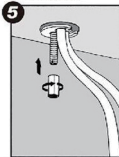


www.elecwish.com

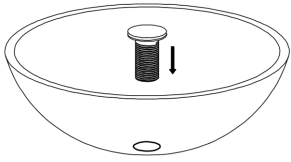
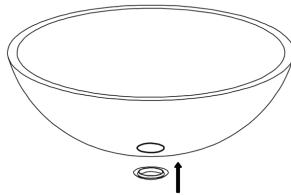
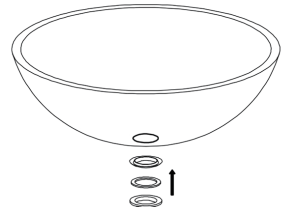
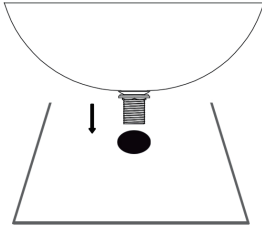
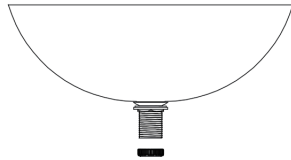

Package list

 <p>x1</p>	<p>A</p>  <p>x1</p>	<p>B</p>  <p>x1</p>
 <p>x1</p>	<p>C</p>  <p>x1</p>	<p>D</p>  <p>x1</p>
 <p>x1</p>	<p>E</p>  <p>x1</p>	<p>F</p>  <p>x2</p>
 <p>x1</p>	 <p>x2</p>	 <p>x1</p>

Faucet Installing

	<p>step1</p> <p>Drill a 1.34~1.46 inches hole in console table.</p>	
	<p>step2</p> <p>Connecting hot and cold water pipes with the faucet.</p>	
	<p>step3</p> <p>Put the pipes down through console table.</p>	
	<p>step4</p> <p>Assemble the gasket bottom up.</p>	
	<p>step5</p> <p>Screw the faucet gasket tight.</p>	

Basin Installing

<p>step1</p> 	<p>set the drain fitting in the basin' s drain hole.</p>
<p>step2</p> 	<p>Fasten the drain fitting' s nut from underneath.secure it firmly against the bottom of the basin so that the drain fitting will not leak.</p>
<p>step3</p> 	<p>position the spacer ring around the drain fitting and against the bottom of the basin.this piece might not have screw threads,so you will have to hloed it in place.</p>
<p>step4</p> 	<p>set the basin' s drain fitting into your vanity' s drain hole.make sure the spacer ring is between the basin and the vanity</p>
<p>step5</p> 	<p>Fasten the nut/washer combination onto the basin' s drain fitting .secure it against the bottom of the vanity to hold the basin firmly in place.</p>
<p>step6</p> 	<p>Attach the drain pipe to the drain fitting.</p>

Product Instructions

Please refer to Installation Manual.

Product Advisories

Tip&Warnings

Don't over-tighten the water lines. It could damage the faucet. Certain dimensions of your vanity must be exact. The diameter of the tapping hole needs to be 1 3/8 in. The gap between the tapping hole and the drain hole needs to be 10 3/4 in.