



INSTRUCTION MANUAL

EN 22" 3-in-1 Self Propelled Lawn Mower

ES 22" 3-en-1 Cortadora de césped autopropulsado

Model # PSM2022



	PROBLEMS? QUESTIONS? DO NOT RETURN TO STORE CALL OUR CUSTOMER HELP LINE (800)791-9458 Mon-Fri 9-5 EST
---	--

Have product questions or need technical support? Please feel free to contact us!

Website: www.Amerisuninc.com
www.powersmartusa.com

Toll free: 1-800-791-9458 Mon-Fri 9-5 EST
Email: support@amerisuninc.com

CONTENTS

Technical data.....	3
Introduction.....	4
Safety information.....	4
General safety procedures	5
Important safety instructions.....	6
Knowing your lawn mower.....	8
Lawn mower preparation.....	9
Operation.....	12
Maintenance.....	16
Storage.....	19
Troubleshooting.....	20
Exploded view & parts list.....	21
Warranty.....	28

TECHNICAL DATA

22" 3-in-1 Self Propelled Lawn Mower Model # PSM2022

Engine type:	4 stroke, OHV, single cylinder with forced air cooling system
Displacement:	200 cc
Fuel tank capacity:	0.34 Gallon
Oil capacity:	16.9 fl.oz
Cutting width:	22 inch
Cutting height:	1.2 – 3. 5 inch
Height adjustment:	5 Position
Drive type:	Rear- wheel drive
Grass catcher capacity:	1.5 Bushels
Wheel:	Front: 8 inch / Rear: 11.5 inch
Package dimensions (L x W x H):	37.6 x 24.4 x 18.1 inches
Weight:	80.5 lb

INTRODUCTION

Thank You for Purchasing a PowerSmart® Product. This manual provides information regarding the safe operation and maintenance of this product. Every effort has been made to ensure the accuracy of the information in this manual. PowerSmart® reserves the right to change this product and specifications at any time without prior notice.

Please keep this manual available to all users during the entire life of the lawn mower.



This manual contains special messages to bring attention to potential safety concerns, lawn mower damage as well as helpful operating and servicing information. Please read all the information carefully to avoid injury and machine damage.

QUESTIONS? PROBLEMS?

Please contact our Customer Service Dept. with any questions and/or comments, either by Email: support@amerisuninc.com, or Toll Free at (800) 791-9458. We are available Mon-Fri 9am-5pm EST to help solve any issues that you might encounter.

NOTICE REGARDING EMISSIONS

Engines that are certified to comply with U.S. EPA emission regulations for SORE (Small Off Road Equipment), are certified to operate on regular unleaded gasoline, and may include the following emission control systems: (EM) Engine Modifications and (TWC) Three-Way Catalyst (if so equipped).

SAFETY INFORMATION

Before operating this lawn mower, read and observe all warnings, cautions, and instructions on the lawn mower and in this Owner's Manual.

NOTE: The following safety information is not meant to cover all possible conditions and situations that may occur. Read the entire Owner's Manual for safety and operating instructions. Failure to follow instructions and safety information could result in serious injury or death.

This safety alert symbol is used to identify safety information about hazards that can result in personal injury.



A signal word (DANGER, WARNING, or CAUTION) is used with the alert symbol to indicate the likelihood and the potential severity of injury. In addition, a hazard symbol may be used to represent the type of hazard.

DANGER indicates a hazard, which, if not avoided, will result in death or serious injury.

WARNING indicates a hazard, which, if not avoided, could result in death or serious injury.

CAUTION indicates a hazard, which, if not avoided, might result in minor or moderate injury.

CAUTION when used without the alert symbol, indicates a situation that could result in damage to the engine.

GENERAL SAFETY PROCEDURES

For any questions regarding the hazard and safety notices listed in this manual or on the product, please call (800) 791-9458 Mon-Fri 9-5 EST before using the engine.



DANGER: CARBON MONOXIDE

Using an engine indoors CAN KILL YOU IN MINUTES. Engine exhaust contains carbon monoxide (CO). This is a poison gas you cannot see or smell. If you can smell the engine exhaust, you are breathing CO. But even if you cannot smell the exhaust, you could be breathing CO.

NEVER use an engine inside homes, garages, crawlspaces, or other partly enclosed areas. Deadly levels of carbon monoxide can build up in these areas. Using a fan, or opening windows and/or doors will NOT properly vent CO nor supply adequate fresh air. ONLY use an engine outside and far away from windows, doors, and vents. These openings can pull in engine exhaust.

Even if you use an engine correctly, CO may leak into the home. ALWAYS use a battery-powered or battery-backup CO alarm in the home. If you start to feel sick, dizzy, or weak after the engine has been running, move to fresh air RIGHT AWAY. See a doctor. You may have carbon monoxide poisoning.

WARNING: The exhaust from this product contains chemicals known to the State of California to cause cancer, birth defects, or other reproductive harm.

WARNING: This engine may emit highly flammable and explosive gasoline vapors, which can cause severe burns or even death if ignited. A nearby open flame can lead to explosion even if it isn't directly in contact with gasoline.

- Do not operate near an open flame.
- Do not smoke near the engine.
- Always operate on a firm, level surface.
- Always turn engine off before refueling. Allow engine to cool for at least 2 minutes before removing fuel cap. Loosen cap slowly to relieve pressure in tank.
- Do not overfill fuel tank. Gasoline may expand during operation. Do not fill to the top of the tank. Allow for expansion.
- Always check for spilled fuel before operating.
- Empty fuel tank and carburetor bowl before storing or transporting the engine.

WARNING: This engine produces heat when running. Temperatures near exhaust can exceed 150⁰F (65⁰ C).

Do not touch hot surfaces. Pay attention to warning labels on the engine identifying hot parts of the machine.

Allow engine to cool down after use before touching engine or areas of the engine that become hot during use.

CAUTION: Misuse of this engine can damage it or shorten its life. Only use engine for its intended purposes.

IMPORTANT SAFETY INSTRUCTIONS

General Operation

Read, understand, and follow all instructions on the machine and in the manual(s) before starting.

1. Do not put hands or feet near or under the machine. Keep clear of the discharge opening at all times.
2. Only allow responsible adults, who are familiar with the instructions, to operate this machine.
3. Clear the area of objects such as rocks, wire, toys, etc., which could be thrown by the blade. Stay behind the handle when the engine is running.
4. Be sure the area is clear of bystanders before operating. Stop machine if anyone enters the area.
5. Do not operate machine barefooted or while wearing sandals. Always wear substantial footwear.
6. Do not pull machine backward unless absolutely necessary. Always look down and behind before and while moving backward.
7. Never direct discharged material toward anyone. Avoid discharging material against a wall or obstruction. Material may ricochet back toward the operator. Stop the blade when crossing gravel surfaces.
8. Do not operate machine without the entire grass catcher, discharge guard, rear guard, or other safety protective devices in place and working.
9. Never leave a running machine unattended.
10. Stop the engine and wait until the blade comes to a complete stop before cleaning the machine, removing grass catcher, or unclogging the discharge guard.
11. Operate machine only in daylight or good artificial light.
12. Do not operate machine while under the influence of alcohol or drugs.
13. Never operate mower in wet grass. Always be sure of your footing; walk; never run.
14. Disengage the drive system, if so equipped, before starting the engine.
15. If the machine should start to vibrate abnormally, stop the engine and check for the cause immediately. Vibration is generally a warning of trouble.
16. Always wear eye protection when operating machine.
17. See manufacturer's instructions for proper operation and installation of accessories. Only use accessories approved by the manufacturer.

Slope Operation

Slopes are a major factor related to slip and fall accidents, which can result in severe injury. Operation on all slopes require extra caution. If you feel uneasy on a slope, do not mow it.

1. Mow across the face of slopes; never up and down. Exercise extreme caution when changing direction on slopes.
2. Watch for holes, ruts, bumps, rocks, or other hidden objects. Uneven terrain could cause a slip and fall accident. Tall grass can hide obstacles.
3. Do not mow on wet grass or excessively steep slopes. Poor footing could cause a slip and fall accident.
4. Do not mow near drop-offs, ditches, or embankments. You could lose your footing or balance.

Children

Sever injury can occur if the operator is not alert to the presence of children in the immediate area. Children are often attracted to the mowing activity. Never assume that children will remain where you last saw them.

1. Keep children out of the mowing area and under the watchful care of a responsible adult other than the operator.
2. Be alert and turn mower off if a child enters the area.
3. Never allow children under the age of 16 to operate the lawn mower.

4. Use extra care when approaching blind corners, shrubs, trees, or other objects that may block your view of a child.

Service

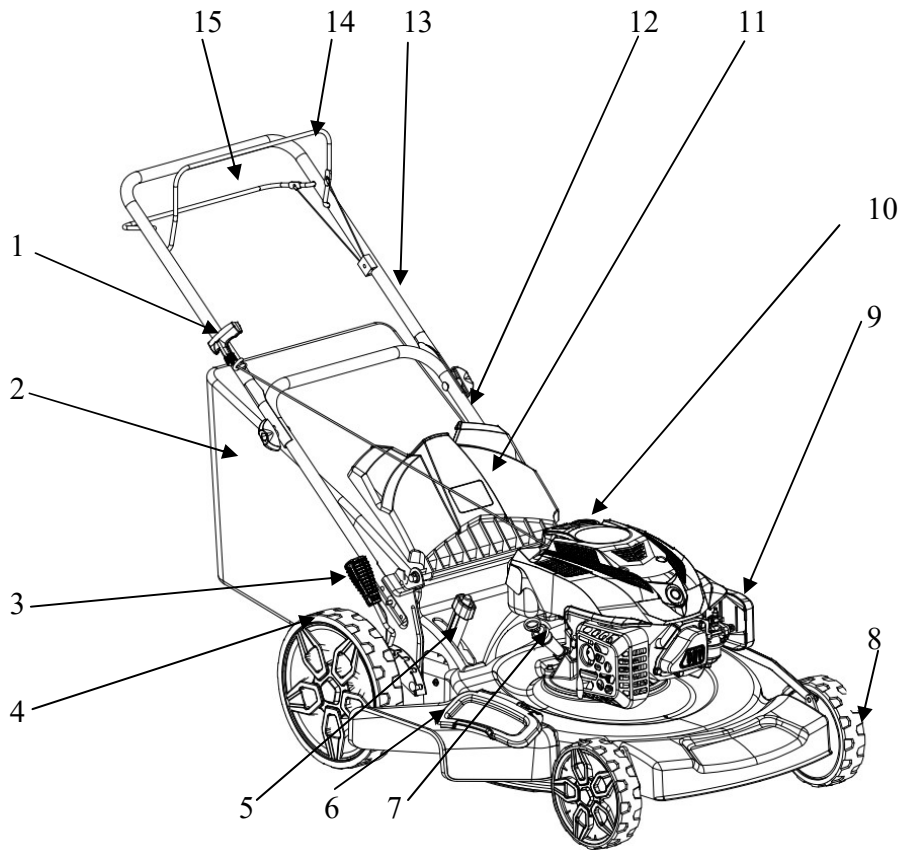
1. Safe Handling of Gasoline
2. To avoid personal injury or property damage, use extreme care in handling gasoline. Gasoline is extremely flammable and the vapors are explosive.
3. Extinguish all cigarettes, cigars, pipes, and other sources of ignition.
4. Only use a US EPA approved compliant portable fuel container.
5. Never remove gas cap or add fuel with the engine running. Allow engine to cool before refueling.
6. Never attempt to refuel the lawn mower while indoors.
7. Never store the machine or fuel container where there is an open flame, spark, or pilot light such as on a water heater or on other appliances.
8. Never fill containers inside a vehicle or on a truck or trailer bed with a plastic liner. Always place containers on the ground away from your vehicle before filling.
9. Remove gas-powered equipment from the truck or trailer and refuel it on the ground. If this is not possible, then refuel such equipment with a portable container, rather than from a gasoline dispenser nozzle.
10. Keep the nozzle in contact with the rim of the fuel tank or container opening at all times until fueling is complete. Do not use a nozzle lock-open device.
11. If fuel is spilled on clothing, change clothing immediately.
12. Never overfill fuel tank. Replace gas cap and tighten securely.

General Service

1. Never operate machine in a closed area.
2. Keep all nuts and bolts tight to be sure the equipment is in safe working condition.
3. Never tamper with safety devices. Check their proper operation regularly.
4. Keep machine free of grass, leaves, or other debris build-up. Clean up oil or fuel spillage and remove any fuel-soaked debris. Allow machine to cool before storing
5. If you strike a foreign object, stop and inspect the machine. Repair, if necessary, before starting.
6. Never make any adjustments or repairs with the engine running. Disconnect the spark plug wire to prevent unintended starting.
7. Check grass catcher components and the discharge guard frequently and replace with manufacturer's recommended parts, when necessary.
8. Mower blades are sharp. Wrap the blade or wear gloves, and use extra caution when servicing them.
9. Do not change the engine governor setting or overspeed the engine.
10. Maintain or replace safety and instruction labels, as necessary.

KNOWING YOUR LAWN MOWER

Please use the illustration below to familiarize yourself with the location and function of the components that control of your lawn mower.



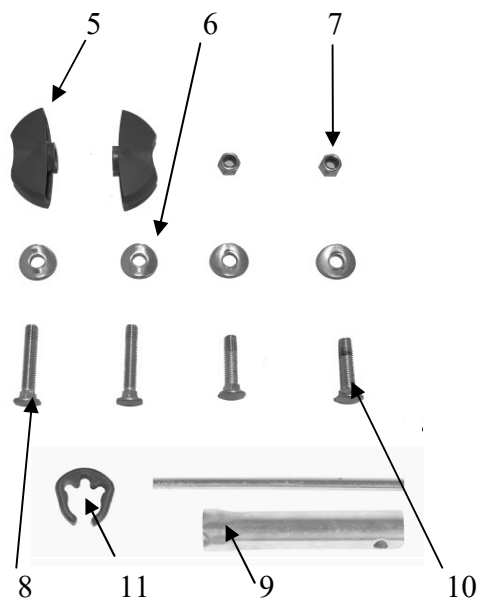
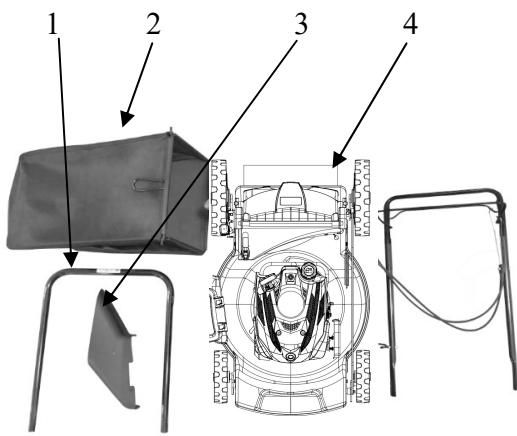
- | | | | |
|---|---------------------------------|----|-------------------------|
| 1 | Recoil Starter handle | 9 | Primer Bulb |
| 2 | Grass catcher | 10 | Fuel tank cap |
| 3 | Cutting height adjustment lever | 11 | Rear discharge door |
| 4 | Rear wheel | 12 | Lower handle |
| 5 | Mulching control lever | 13 | Upper handle |
| 6 | Side discharge cover | 14 | Engine start/stop lever |
| 7 | Oil dipstick | 15 | Drive control bar |
| 8 | Front wheel | | |

LAWN MOWER PREPARATION

The following section describes steps necessary to prepare the lawn mower for use. If after reading this section, you are unsure about how to perform any of the steps please call (800)791-9458 Mon-Fri 9-5 EST for customer service. Failure to perform these steps properly can damage the lawn mower or shorten its lifespan.

UNPACKING

Unpack the lawn mower and all its parts, and compare against the list below. Do not discard the carton or any packaging until the engine is completely assembled.



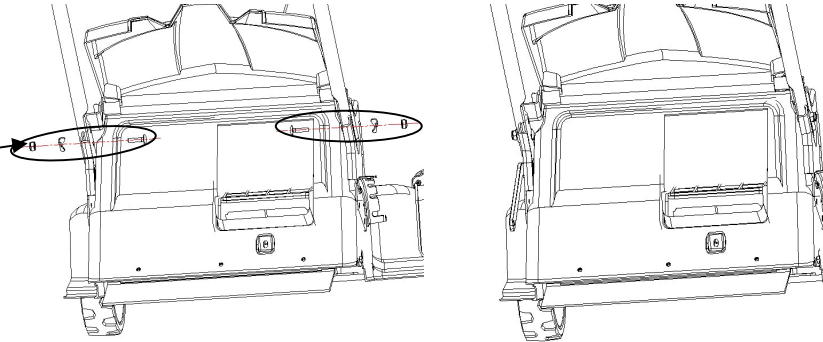
- 1 Lower handle
- 2 Grass Catcher
- 3 Side discharge chute
- 4 Lawn mower with upper handle
- 5 Knob (2)

- 6 Washer (4)
- 7 Nut M8 (2)
- 8 Screw M8×45 (2)
- 9 Spark plug wrench
- 10 Screw M8×35 (2)
- 11 Cable clip

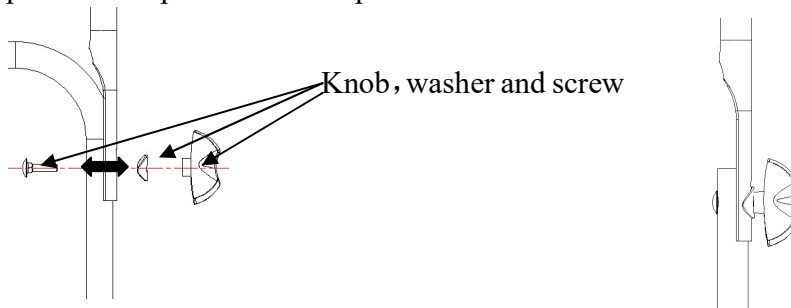
ATTACH LOWER & UPPER HANDLE

1. Take lower handle and line up the hole in the lower handle with the hole on the handle bracket.
2. Secure the lower handle with handle bracket with provided M8 screw (1) , M8 nut (1) and Saddle washer on each side.

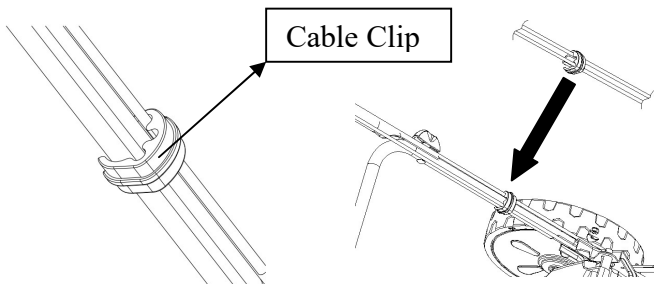
M8 Screw, Nut
and washer



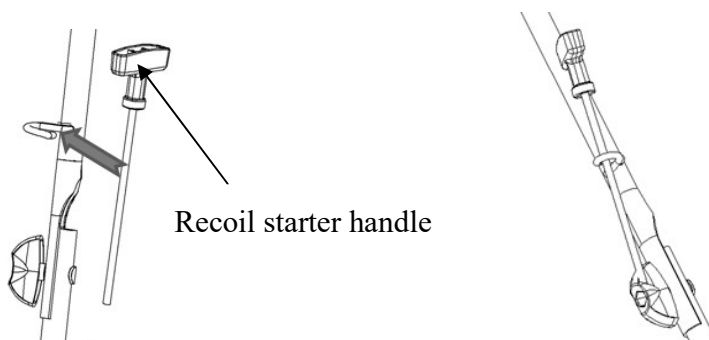
3. Pull upper handle up and lock it in position with bolts, washer and knob on both side.



4. Lock the cable to the handle using cable clip



5. Insert the recoil starter handle cable into the hook provided on the upper handle.



GRASS CATCHER

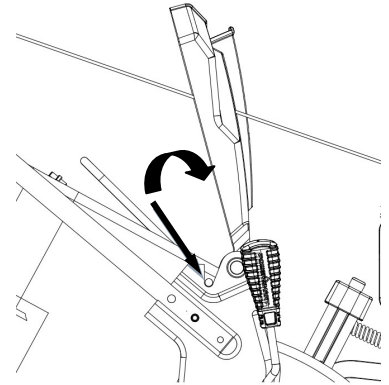
Attach grass catcher

1. Lift mower rear discharge door.
2. Place grass catcher into the slots in the handle brackets.
3. Release the rear discharge door so that it rests on the grass catcher.

Caution: Make sure that the Mulching Control Lever is in the bagging position

Remove grass catcher

1. Lift mower rear discharge door.
2. Lift grass catcher up and off the slots in the handle bracket.
3. Move the Mulching Control lever to the mulching position .
4. Release mower rear discharge door to allow it to close rear opening of mower.

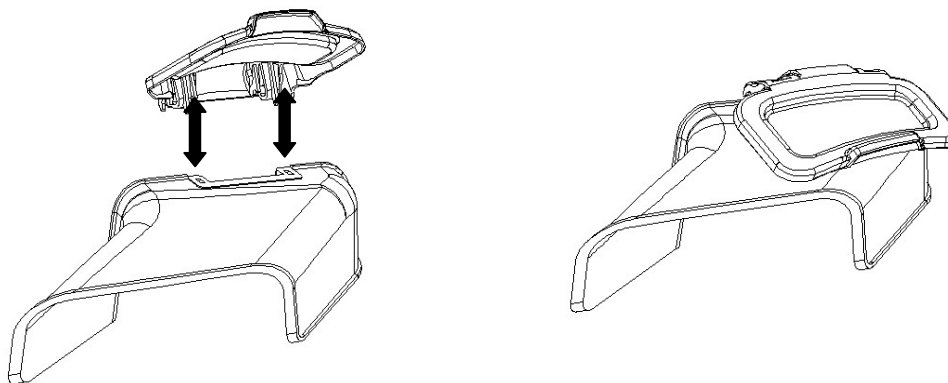


SIDE DISCHARGE CHUTE

To convert mower for side discharge, ensure that the mulching control lever is in the mulching position, the grass catcher has been removed and that the rear discharge door is closed.

1. Lift the spring-loaded discharge cover located on the side of the mower.
2. Slide two hooks of the side discharge chute under the hinge pin and lower the spring on the side discharge cover.

Caution: Do not attempt to remove the permanently mounted spring loaded side discharge cover at any time.



ADJUSTING THE CUTTING HEIGHT

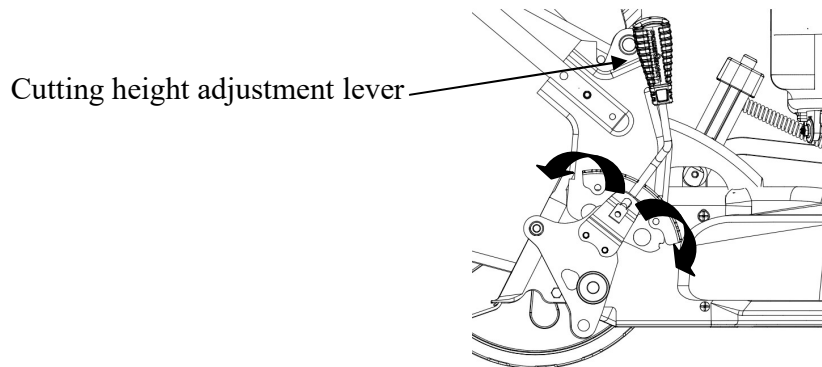


Warning! Cutting height adjustments should only be performed after the engine and blades have come to a complete stop!

It is always best to begin cutting your lawn with a higher deck height to prevent scalping your lawn.

The cutting height is adjusted with a single lever.

Actuate the adjustment lever and pull it to the required position. Please make sure that the lever locks into position.



OPERATION

GAS AND OIL FILL-UP

The engine comes shipped without oil or gasoline. Be sure to add oil and gasoline before starting the engine.

1. Add oil before starting mower for the first time.
2. Service the engine with gasoline as instructed.



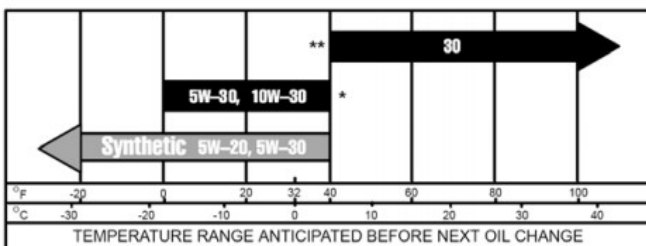
Warning: Use extreme care when handling gasoline. Gasoline is extremely flammable and its vapors are explosive. Never fuel the machine indoors or while the engine is hot or running. Extinguish all cigarettes, cigars, pipes and other potential sources of ignition.

ADD OIL

The engine is shipped without oil. User must add the proper amount of oil before operating the engine for the first time. The oil capacity of the engine crankcase is 18fl.oz. For general use (above 40 ° F), we recommend 30W,4-stroke engine oil.

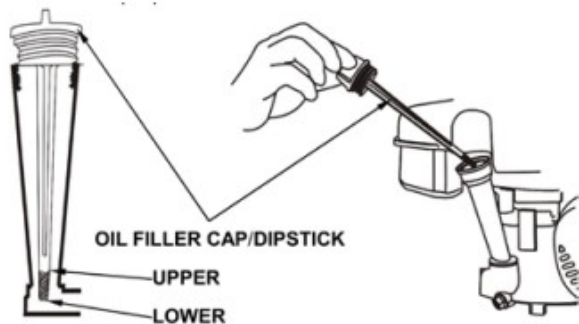
ENGINE OIL RECOMMENDATIONS

Oil is a major factor effecting performance and service life. We recommend the use of a good detergent automotive oil.30W is recommended for most applications. Other viscosity grades shown below may be acceptable for use in these engines.



To add oil, follow these steps:

1. Make sure the engine is on a travel surface. Tilting the engine to assist in filling will cause oil to flow into engine areas and will cause damage.
2. Remove the dipstick from the engine.
3. Add oil slowly. Do not overfill.
4. To check the oil level, wipe the dipstick with a clean rag. Insert the dipstick into the oil fill opening without screwing it in. Remove the dipstick to check the oil mark.
5. Slowly add more oil and repeat step 4 until the oil mark reached to the upper mark of the dipstick. Do not overfill the crankcase.
6. Check for oil leaks. Tighten dipstick firmly.



ADD GASOLINE



WARNING: This engine may emit highly flammable and explosive gasoline vapors, which can cause severe burns or even death if ignited. A nearby open flame can lead to explosion even if not directly in contact with gasoline.

Use fresh (within 30 days from purchase), lead-free gasoline with a minimum of 87 octane rating. Do not mix oil with gasoline.

To add gasoline, follow these steps:

1. Make sure the engine is on a travel surface.
2. Unscrew fuel cap and set aside. NOTE: The fuel cap may be tight and hard to unscrew.
3. Slowly add unleaded gasoline to the fuel tank be careful not to overfill. The capacity of the fuel tank is 0.34Gallon.NOTE: Do not fill the fuel tank to the very top. Gasoline will expand and spill over during use even with the fuel cap in place.
4. Reinstall fuel cap and wipe clean any spilled gasoline with a dry cloth.

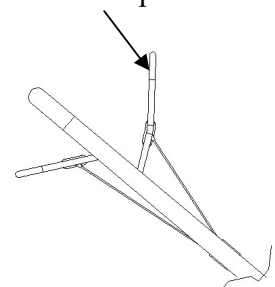
IMPORTANT:

- Never use an oil/gasoline mixture.
- Never use old gasoline.
- Avoid get dirt or water into the fuel tank
- Gasoline can age in the tank and make starting difficult. Never store engine for extended periods of time with fuel in the tank or the carburetor.

ENGINE START/STOP LEVER

This lawn mower comes equipped with an engine start/stop lever to prevent unintentional starting and to ensure safe operation. Releasing this lever will quickly stop the blade in case of danger. The lever must be actuated before the

Engine start/stop lever



lawn mower is started. When the engine start/stop lever is released, it must return to its initial position.

Before you start mowing, you should run through this process several times in order to ensure that the lever and actuator cables are working properly. Repeat the test several times after the engine has started up. When the engine start/stop lever is released, the engine must stop within a few seconds. If not, contact Customer Service.



Warning: The blade begins to rotate as soon as the engine is started.

START THE ENGINE

1. Ensure that the ignition cable is connected to the spark plug.
2. Stand behind the lawn mower. Actuate the engine start/stop lever with one hand. The other hand must be on the starter handle.
3. Start the engine using the starter handle. To do this pull out the handle approx. 4 –6 inches (until you feel a resistance) and then start the engine with a sharp tug. If the engine does not start, tug the handle again.

Caution: Never allow the actuator cable to snap back.

Caution: In cold weather, it may be necessary to repeat the starting process several times.

STOP THE ENGINE

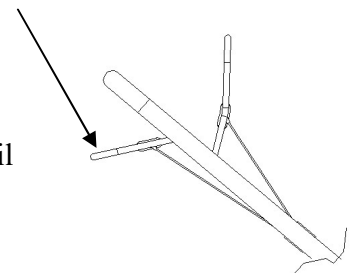
Release the engine start/stop lever to stop the engine.

DRIVE CONTROL BAR

If you press drive control bar the clutch for the drive will be closed and the lawnmower will start to move with the engine running. Release the drive control bar in good time to stop the moving lawnmower.

Practice starting and stopping before you use the mower for the first time until you are familiar with controlling the mower.

Drive control bar



MOWING

The engine throttle on your mower has been preset to provide optimum bagging and mulching performance for years to come.

Only use a sharp blade that is in good condition. This will prevent the grass blades from becoming frayed and the lawn from turning yellow.

Mow in straight lines for a nice, clean look. The swaths should overlap each other by a few inches in order to avoid stripes.

It's import to keep the underside of the mower deck clean and remove grass build-up. This buildup will decrease mulching quality, and make it harder for the equipment to bag the grass.

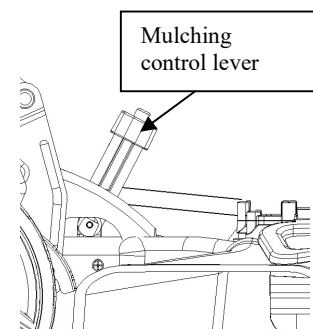
Always mow along inclines (not up and down). You can prevent the lawn mower from slipping down by holding a position at an angle upwards. Select the cutting height according to the length of the grass. If necessary, mow a number of times so that you never cut more than 2 inches of grass in one go.

Turn off the engine before doing any checks on the blade. Keep in mind that the blade continues to rotate for a few seconds after the engine has been turned off. Never attempt to manually stop the blade. Regularly check to see if the blade is securely attached, is in good condition and is sharp. If the contrary is the case, sharpen the blade or replace it. In the event that the blade strikes an object, immediately turn off the lawn mower and wait for the blade to come to a complete stop. Then inspect the condition of the blade and the blade mount. Replace any parts that are damaged.

USING AS MULCHING CONTROL LEVER

If the Grass Catcher is on the mower, and the Mulching Control Lever is in the bagging position, move the lever to the mulching position before mulching the clippings.

If the Side-discharge Chute is on the mower, remove it before mulching the clippings.

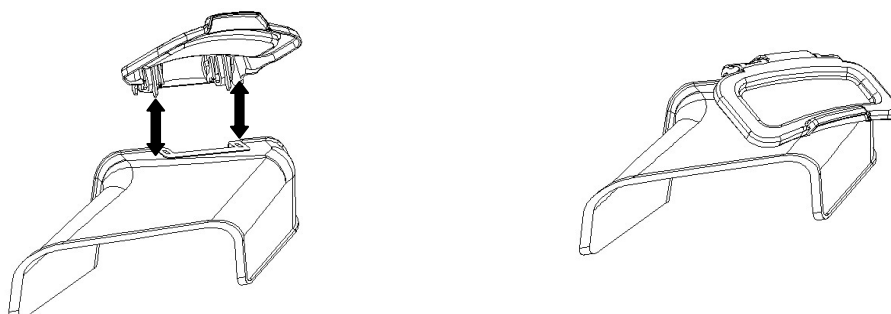


USING AS SIDE DISCHARGE

You should fit the mulching adapter in order to use the side discharge.

1. On the side of the mower, lift the side discharge cover.
2. Slide two hooks of side discharge chute under hinge pin on the side discharge cover. Lower the side discharge cover.


Caution: Do not remove side discharge cover at any time.



USING AS A REAR BAGGER

To use the grass catcher to collect clippings while you are operating the mower.

1. Attached grass catcher following instruction in the lawn mower preparation. Grass clippings will automatically collect in bag as you run the mower. Operate mower until grass catcher is full.
2. Stop engine completely by releasing the engine start/stop lever. Make sure that the engine has come to a complete stop.
3. Lift rear discharge door and pull grass catcher up and away from the mower to remove the grass catcher. Dispose of the grass clippings and reinstall the grass catcher when complete.

 **Warning:** If you strike a foreign object, stop the engine. Remove spark plug wire, thoroughly inspect mower for any damage, and repair damage before restarting and operating. Excessive vibration of the mower during operation is an indication of damage. The mower should be promptly inspected and repaired.

MAINTENANCE

Proper routine maintenance of this mower will help prolong the life of the machine.

Always observe safety rules when performing any maintenance.

The warranty on this lawn mower does not cover items that have been subjected to operator abuse or negligence. To receive full value from warranty, operator must maintain the lawn mower as instructed here.

Changing of engine-governed speed will void engine warranty.

All adjustments should be checked at least once each season.

Periodically check all fasteners and make sure these are tight.



Warning: Always stop engine, allow engine to cool, disconnect spark plug wire before performing any type of maintenance on your machine.

DECK CARE

It is important to clean underside of the mower deck after use to prevent the build-up of grass clippings or other debris. Follow steps below for proper cleaning.

1. Allow the engine to run until it is out of fuel. Do not attempt to pour fuel from the engine.
2. Disconnect spark plug wire. Refer to engine operator's manual.
3. Slowly tip mower so that it rests on the housing.
4. To prevent oil spills, always tip the mower so that the Air Filter is facing up.
5. Hold mower firmly and scrape and clean the underside of the deck with a suitable tool.
6. Gently lower the mower back on its wheels on the ground.

Warning: Never tip the mower more than 90° in any direction and do not leave the mower tipped for any length of time. Oil can drain into the upper part of the engine causing a starting problem.

MOWER BLADE

To ensure safe operation, have all blade sharpening, balancing and mounting work carried out by an authorized service center. To achieve optimal results, we recommend having the blade checked once a year.

If, in spite of all caution, the blade comes into contact with an obstacle, switch off the engine immediately and pull off the spark plug connector. Tilt the lawn mower to the rear and check the blade for damage. Always keep the side with the air cleaner facing up. Damaged or bent blades must be replaced. Never straighten a bent blade. Never work with bent or heavily worn blades as this will result in vibrations, causing further damage to the mower.



Warning: Risk of injury when working with a damaged blade.

CHECKING THE OIL

The oil capacity of the engine crankcase is 16.9 fl. oz.

Check the oil level of the engine according to the Recommended Maintenance Schedule.

The lawn mower should be checked before each use for proper oil level. This is a critical step for proper engine starting.

To check the oil level:

1. Make sure the lawn mower is on a level surface.
2. Clean around oil fill. Remove dipstick and wipe the dipstick with a clean rag. Insert the dipstick into the oil fill opening without screwing in. Remove the dipstick to check the oil mark. Add oil if the oil mark covers less than one half of the dipstick.
3. Slowly add more oil and repeat step 2 until the oil mark reaches to the top of dipstick. Do not over fill the crankcase.
4. Reinstall oil dipstick.

CHANGING/ADDING OIL

Change the oil according to the Recommended Maintenance Schedule. Change the oil when the engine is warm. This will allow for complete drainage. Change oil more often if operating under heavy load or high ambient temperatures. It is also necessary to drain the oil from the crankcase if it has become contaminated with water or dirt. The oil capacity of the engine is 16.9 fl.oz. Add oil when the oil level is low. For proper type and weight of oil refer to “GAS AND OIL FILL-UP” portion of the “OPERATION” section.

To refill the crankcase with oil, follow these steps:

1. Make sure the lawn mower is on a level surface. Tilting the lawn mower to assist in filling will cause oil to flow into engine areas and will cause damage. Keep lawn mower level!
2. Remove the dipstick from the engine.
3. Using a funnel or appropriate dispenser, add the correct amount of oil (16.9fl.oz) into the crankcase.
4. Reinstall dipstick.

NOTE: Never dispose of used motor oil in the trash or down a drain. Please call a local recycling center or auto garage to arrange oil disposal.

AIR CLEANER MAINTENANCE

Routine maintenance of the air cleaner helps maintain proper airflow to the carburetor. Occasionally check that the air cleaner is free of excessive dirt. Refer to Recommended Maintenance Schedule. For air cleaner detail:

1. Open the air cleaner cover.
2. Remove the sponge-like element from the casing.
3. Wipe the dirt from inside the empty air cleaner casing.
4. Wash the sponge-like element in household detergent and warm water. Small amount of oil in the element is normal and necessary for the engine to work properly.
5. If necessary, replace the paper element.
6. Reinstall the sponge-like element in the air cleaner casing and reinstall the cover.

CAUTION: running the engine with dirty, damaged or missing air cleaner element will cause the engine to wear out prematurely.

SPARK PLUG MAINTENANCE

The spark plug is important for proper engine operation. A good spark plug should be intact, free of deposits, and properly gapped. Refer to Recommended Maintenance Schedule. To inspect the spark plug:

1. Remove spark plug boot. Be careful not to tear insulation or wire.

2. Unscrew the spark plug from the engine using the spark plug wrench provided. There is limited space for the wrench to turn. Use both rows of holes in the spark plug wrench to gain leverage to loosen the plug.
3. Visually inspect the spark plug for cracks or excessive electrode wear. Replace as necessary.
4. Measure the plug gap with a wire gauge. The gap should be 0.7 to 0.8 mm (0.028-0.031 in).
5. If re-using the spark plug, use a wire brush to clean any dirt from around the spark plug base then re-gap the spark plug.
6. Screw the spark plug back into the spark plug hole using the spark plug wrench. Do not over-tighten spark plug. Recommended tightening of spark plug is ½ to ¾ of a turn after spark plug gasket contacts spark plug hole. Reinstall the spark plug boot.

Maintenance Schedule

Item	Action	Before each use	5 Hours of use or first month	First 25 hours of use	50 hours of use or every 6 months	100 hours of use or every year	150 hours of use or every two years
Blade	Inspect	x					
Blade mounting bolt	Inspect	x					
Engine oil	Check	x					
	Change		x		x ²	x	x
Air filter	Check	x					
	Clean			x ¹	x ¹	x ¹	
	Replace						x
Grass bag	Check	x					
Blade control operation	Check	x				x	
Spark plug	Check					x	
	Replace						x
Fuel tank	Clean					x	
Flywheel brake pad	Check					x	
Valve clearance	Check-adjust					x	
Fuel line	Check	Check every 2 years and replace if necessary					

1. Service more frequently when used in dusty areas.
2. Change engine oil every 25 hours when used under heavy load or in high outside air temperatures.

STORAGE

CAUTION: Never place any type of storage cover or tarp on the MOWER while it is still hot.

If the MOWER is being stored for extended periods of time (30 days or more), drain fuel tank and carburetor bowl.

NOTE: Keeping the fuel tank full, reduces the amount of air and vapor and helps reduce deterioration of the fuel. This will also help minimize moisture accumulation common with ethanol blended fuels.

When storing the mower for extended periods of time:

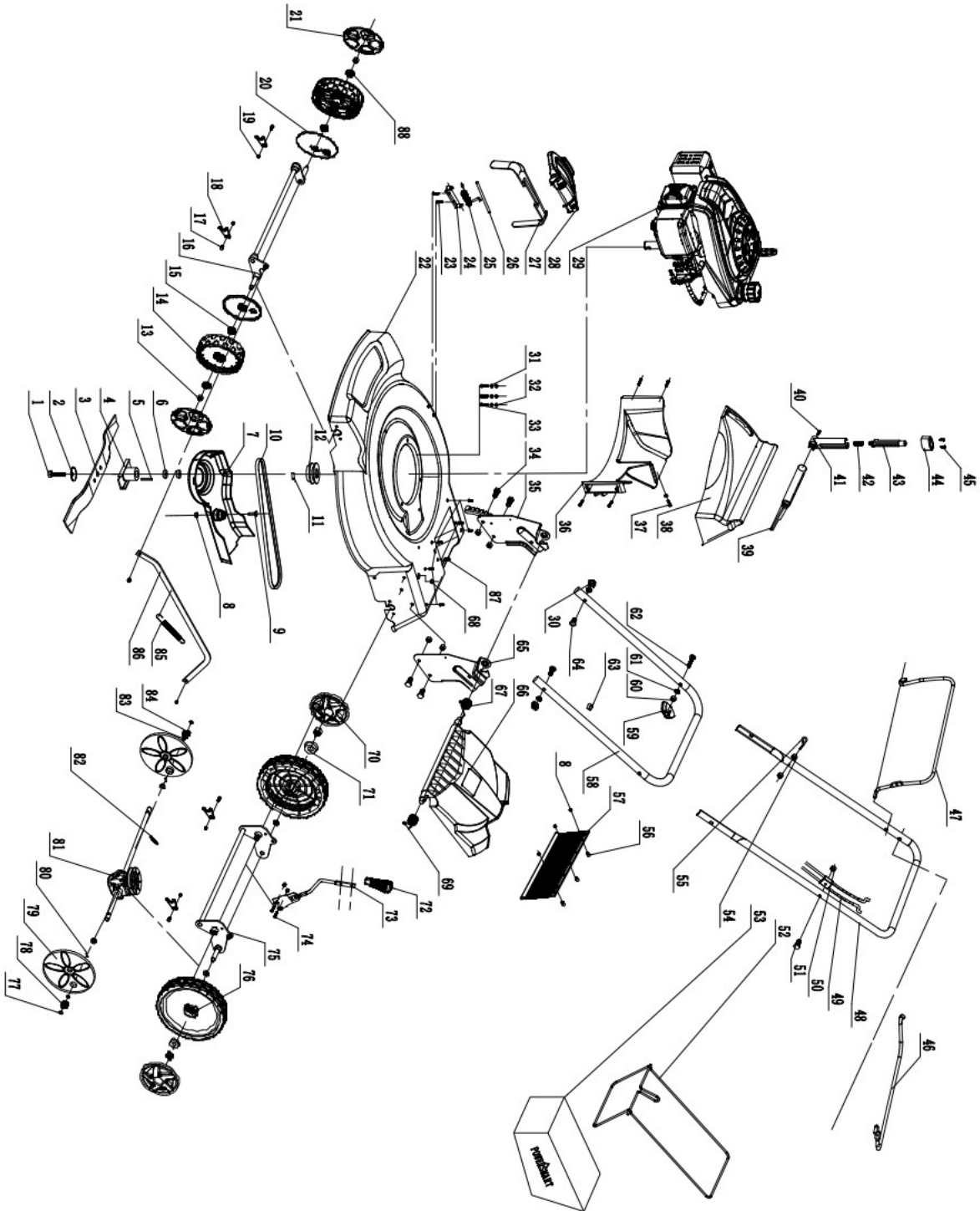
1. Start the engine and run it until the tank and fuel line are completely empty and the engine stalls.
2. Change the oil after each season.
3. Remove the spark plug. Use an oil-can to fill the cylinder with approx. 2 ml of oil. Slowly pull back the starter handle, which will bathe the cylinder wall with oil. Screw the spark plug back in.
4. Clean the cooling fins of the cylinder and the housing.
5. Be sure to clean the entire equipment to protect the paint.
6. Store the equipment in a well-ventilated place.

NOTE: LIMITED WARRANTY does not cover fuel system damage or engine performance problems resulting from neglected storage preparation.

TROUBLESHOOTING

Problem	Cause	Solution
Engine fails to start	Engine start/stop lever disengaged.	Engage engine start/stop lever.
	Spark plug wire disconnected.	Connect spark plug wire.
	Fuel tank empty or stale fuel.	Fill tank with clean, fresh gasoline.
	Engine not primed.	Press primer bulb.
	Faulty spark plug.	Clean, adjust gap, or replace.
	Blocked fuel line.	Clean fuel line.
	Engine flooded.	Wait a few minutes to restart, do not prime.
Engine runs erratic.	Spark plug wire loose.	Connect and tighten spark plug wire.
	Blocked fuel line or stale fuel.	Clean fuel line. Fill tank with clean, fresh gasoline.
	Water or dirt in fuel system.	Drain fuel tank. Refill with fresh fuel.
	Dirty air filter	Please refer to engine manual.
Engine overheats.	Engine oil lever low.	Fill crankcase with proper oil.
	Air flow restricted.	Clean area around and on top of engine.
Idles poorly.	Spark plug fouled, faulty, or gap too wide.	Reset gap or replace spark plug.
	Dirty air cleaner.	Please refer to engine manual.
Excessive vibration/noise	Blade loose or unbalanced.	Tighten and balance blade.
	Bent/damaged blade.	See an authorized service dealer.
Mower will not mulch grass.	Wet grass.	Do not mow when grass is wet, wait until dry to cut.
Uneven cut.	Excessively high grass.	Mow once at a high cutting height, then mow again at desired height or make a narrower cutting path.
	Dull blade.	Sharpen or replace blade.

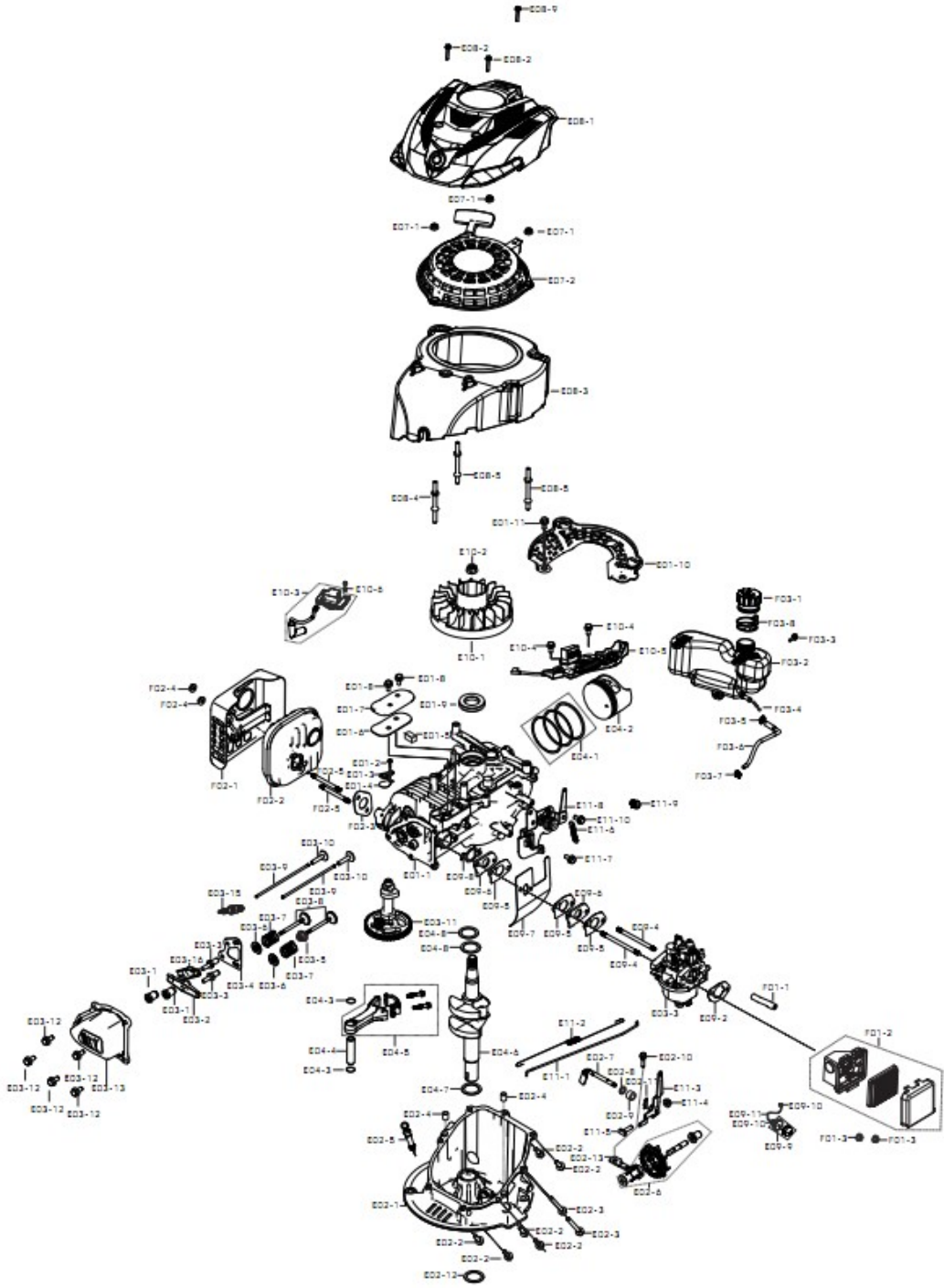
EXPLODED VIEW AND PARTS LIST



Item	Stock#	Description	Qty
1	303240514	Blade Bolt	1
2	303043023	Butterfly washer	1
3	303070862	22" New Blade	1
4	303180808	Adapter	1
5	303110023	Flat key	1
6	303160550A	Spacer bush	1
7	203050146A	Belt protection cover	1
8	303030087	Flange nut	4
9	303020341	step bolt	1
10	302040074	Belt	1
11	303020471	Screw	1
12	303160454	Small pulley	1
13	303030077	Flange Locknut	8
14	302090173	Rear wheel	2
15	303100065	plastic bearing	2
16	303180654C	Front wheel Ax	1
17	303020276	Hex washer screw	4
18	303060115	rear axle card	4
19	303030032	Locknut	8
20	203010666	Defensive grass cover	2
21	203050260	Rear wheel cover	2
22	303070698	22" Deck (186c red)	1
23	303020468	Washer	2
24	303160456	Side Discharge Bracket	1
25	303130335	Torsional Spring	1
26	303160410A	Spring Pin shaft	1
27	203050148	Side discharge chute	1
28	203050147	Side discharge deflector	1
29	303190315	Engine	1
30	303030036	Locknut	2
31	303041022	Washer	3
32	303042023	Falt washer	3
33	303020265	Hex washer screw	3
34	303020332	step bolt	4
35	303210017C	Right Junction Plate	1
36	203040018B	Blocking Plate	1
37	303010185	Tapping screw	1
38	203050154A	Rear discharge cover	1
39	203050156A	Rear block plate	1
40	303010164	Tapping screw	10
41	203050155	rear discharge handle	1
42	303160460	handle press spring	1
43	203010596	Link lever	1
44	203010597	Handle cover	1

Item	Stock#	Description	Qty
45	303010095	tapping screw	2
46	303080630	Self-propelled drive bar	1
47	303080490	Blade control bar	1
48	303080489A	upper tube	1
49	303200079A	Brake Control Cable	1
50	303030025	cap nut	2
51	303020308	outer hexagon bolt	1
52	303180656A	Straw Basket	1
53	302120009	Straw Bag	1
54	303030065	plain nut	1
55	303160531A	Pull hook	1
56	303020282	outer hexagon bolt	3
57	302080050A	Rubber	1
58	303071263	lower tube	1
59	203020865A	Knob	2
60	303030026	thicken plain nut	2
61	303043010	Saddle washer	4
62	303020126	step bolt	2
63	203040007	Cable Clip	1
64	303020146	step bolt	2
65	303070702B	Left Junction Plate	1
66	203050153	Side discharge deflector	1
67	303160461	Right Torsional Spring	1
68	302060025	cable rubber stopper	1
69	303160464	Left Torsional Spring	1
70	203050447	11.5" wheel cap	2
71	303100002	deep groove ball bearing	6
72	203070079	Adjusting handle	1
73	303210033	Adjusting handle welding	1
74	303020339	outer hexagon bolt	2
75	303180655B	rear axle shaft seaming	1
76	203040021A	11.5" self- propelled wheel assembly	2
77	303050007	closing ring	4
78	303160471A	Drive gear Left	1
79	203010806A	11.5" wheel cover	2
80	303123017A	cylindrical pin	2
81	303240335	22" Drive assembly	1
82	303160465A	Self-propelled spring	1
83	303043061	Flat washer	2
84	303160470A	Drive gear Right	1
85	303130126	Connecting rod tension spring	1
86	303160457C	Go up and down Link lever	1
87	303020248	Triangular head bolt	2
88	203021115	Shaft sleeve	2

Engine explode view and part list



Item	Stock#	Description	Qty
E01-1	11310-Z970110-00A0	CRANKCASE SUBASSEMBLY.	1
E01-2	90103-0410-51	BOLT	1
E01-3	12045-Z240110-00A0	Reed valve limit plate	1
E01-4	11321-Z180110-00A0	PIECE, BREATH	1
E01-5	11331-Z180110-00A0	STRAINER, BREATH GROOVE	1
E01-6	11332-Z180110-00A0	GASKET, BREATH GROOVE	1
E01-7	11333-Z180110-00A0	PLATE, BREATH GROOVE COVER	1
E01-8	90007-0612-A1	BOLT	2
E01-9	90682-Z240110-0000	SEAL, OIL	1
E01-10	19340-Z870120-0000	SHIELD, LOWER	1
E01-11	90007-0612-A1	BOLT	1
E02-1	11411-Z870130-00A0	COVER, CRANKCASE	1
E02-2	90007-0620-A1	BOLT	6
E02-3	90007-0655-A1	BOLT	2
E02-4	90502-0818-00	PIN	2
E02-5	15010-Z870210-Q2A0	DIPSTICK SUBASSEMBLY, OIL	1
E02-6	16400-Z870120-0000	GEAR ASSY, GOVERNOR	1
E02-7	16061-Z870120-0000	ARM, GOVERNOR	1
E02-8	90412-Z870210-0000	Flat washer	1
E02-9	90682-Z030210-0000	SEAL, OIL	1
E02-10	90007-0612-A1	BOLT	1
E02-11	90501-Z010110-0000	PIN	1
E02-12	90682-U090110-0000	SEAL, OIL	1
E02-13	16013-Z030120-0000	PLATE, GOVERNOR SPINDLE COMPRESSION	1
E03-1	97002-Z240110-0000	Valve control assembly	2
E03-2	14311-Z870110-0000	ROCKER, VALVE	1
E03-3	14313-Z240110-0000	BOLT, ROCKER SHAFT	2
E03-4	14091-Z870110-00A0	PLATE SUBASSEMBLY, LIFTER STOPPER	1
E03-5	12101-Z810210-0000	GUIDE, SEAL	1
E03-6	12112-Z350110-00A0	SEAT, VALVE SPRING	2
E03-7	12103-Z010110-0000	SPRING, VALVE	2
E03-8	12110-Z870110-00A0	VALVES SET	1
E03-9	14071-Z340110-0000	LIFTER, VALVE	2
E03-10	14081-Z800110-0000	TAPPET, VALVE	2
E03-11	14200-Z870110-00A0	CAMSHAFT ASSY.	1
E03-12	90007-0612-A1	BOLT	5
E03-13	12411-Z970110-00A0	COVER, CYLINDER HEAD	1
E03-15	30010-Z180110-00A0	PLUG, SPARK	1
E03-16	14311-Z870210-0000	ROCKER, VALVE	1
E04-1	13200-Z970110-00A0	RING ASSY, PISTON	1
E04-2	13111-Z970110-00A0	PISTON	1
E04-3	13122-Z350110-00A0	CLIP, PISTON PIN	2
E04-4	13121-Z970110-00A0	PIN, PISTON	1
E04-5	13010-Z870110-00A0	ROD, CONNECTING	1
E04-6	13300-Z870810-0000	CRANKSHAFT ASSY.	1
E04-7	90408-Z030210-0000	WASHER, FLAT	1
E04-8	90408-Z240210-00A0	WASHER, FLAT	2
E07-1	90305-0600-31	NUT	3
E07-2	28200-Z180130-00D0	STARTER ASSY, RECOIL	1

Item	Stock#	Description	Qty
E08-1	80001-Z870110-Q200	HOUSING, ENGINE	1
E08-2	90107-0516-01	SCREW	2
E08-3	28110-Z870130-0000	SHROUD	1
E08-4	28001-Z870110-0000	STUD	1
E08-5	28001-Z870210-0000	STUD	2
E08-9	90255-0520-51	BOLT	1
E09-2	17001-Z030120-0000	GASKET, AIR CLEANER	1
E09-3	16100-Z970110-00A9	CARBURETOR ASSY.	1
E09-4	90204-Z250310-00A0	BOLT	2
E09-5	16001-Z010110-0000	GASKET, CARBURETOR	3
E09-6	16003-Z250210-0000	PLATE, CARBURETOR INSULATOR	2
E09-7	16004-Z870110-0000	GASKET, INSULATOR PLATE	1
E09-8	16004-Z870210-0000	GASKET, INSULATOR PLATE	1
E09-9	16210-Z250120-00A0	VALVE, STARTING RICHED	1
E09-10	90685-0700-01	CLAMP	2
E09-11	16211-Z870110-0000	TUBE, STARTING RICHED VALVE	1
E10-1	13510-Z870110-0000	FLYWHEEL SUBASSEMBLY	1
E10-2	13501-Z010110-0000	NUT, FLYWHEEL	1
E10-3	30400-Z340410-02A0	COIL, IGNITION	1
E10-4	90007-0612-A1	BOLT	2
E10-5	45200-Z970110-00A0	BRAKE ASSY.	1
E10-6	90007-0625-A1	BOLT	1
E11-1	16062-Z870110-0000	ROD, GOVERNEOR	1
E11-2	16012-Z870110-0000	SPRING, THROTTLE VALVE RETURNING	1
E11-3	16070-Z870110-0000	SUPPORT SUBASSEMBLY, GOVERNOR	1
E11-4	90305-0600-31	NUT	1
E11-5	16072-Z010110-0000	BOLT, GOVERNOR SUPPORT	1
E11-6	16063-Z870110-0000	SPRING, GOVERNOR	1
E11-7	90007-0612-A1	BOLT	1
E11-8	16561-Z240110-00A0	PLATE SUBASSEMBLY, THROTTLE CONTROL BOTTOM	1
E11-9	90684-Z250110-00A0	CLIP	1
E11-10	90007-0620-A1	BOLT	1
F01-1	17004-Z870110-0000	TUBE, BREATHER	1
F01-2	17100-Z870110-0000	CLEANER, AIR	1
F01-3	90305-0600-31	NUT	2
F02-1	18130-Z870110-00A0	COVER, MUFFLER OUTER	1
F02-2	18100-Z870110-00A0	MUFFLER ASSY.	1
F02-3	18001-Z870110-00A0	GASKET, EXHAUST OUTLET	1
F02-4	90310-0600-31	NUT	2
F02-5	90207-Z970110-0000	BOLT	2
F03-1	16730-Z620210-LKD0	COVER, FUEL TANK	1
F03-2	16620-Z870110-Q299	TANK, FUEL	1
F03-3	90007-0625-A1	BOLT	1
F03-4	16652-Z030110-00A0	STRAINER, FUEL	1
F03-5	90685-1000-01	CLAMP	1
F03-6	90686-Z870110-0000	TUBE, FUEL	1
F03-7	90685-0700-01	CLAMP	1
F03-8	16744-Z620120-0000	CHAIN PROOF OFF, FUEL TANK COVER	1

THREE (3) YEARS LIMITED WARRANTY

PowerSmart is committed to building equipment that will provide years of dependable service. Our warranties are consistent with our commitment and dedication to quality.

THREE (3) YEARS LIMITED WARRANTY OF POWER SMART PRODUCTS FOR HOME USE.

PowerSmart ("Seller") warrants to the original purchaser only, that all PowerSmart consumer power tools will be free from defects in material or workmanship for a period of three (3) years from date of purchase. If the tool(s) is used while providing professional or commercial services, the warranty coverage shall be for a maximum of (90) days.

SELLER'S SOLE OBLIGATION AND YOUR EXCLUSIVE REMEDY under this Three (3) Years Limited Warranty and, to the extent permitted by law, any warranty or condition implied by law, shall be the repair or replacement of parts, without charge, which are defective in material or workmanship and which have not been misused, carelessly handled, or improperly repaired, by person(s) other than an Authorized Seller or Service Center.

Please be aware that normal wear parts are not covered this warranty. This includes drive belts, blades and grass bags. Carburetor issues, and/or other damage found to be the result of stale, contaminated or compromised fuel, is not covered under this limited warranty.

To make a claim under this Limited Warranty, you must return the entire power tool product; transportation prepaid, to PowerSmart. The owner must include a legible copy of the original receipt, which shall list the date of purchase, along with the company's name where the product was purchased.

THIS LIMITED WARRANTY DOES NOT APPLY TO ANY ACCESSORY ITEMS INCLUDED WITH THE TOOL SUCH AS CIRCULAR SAW BLADES OTHER RELATED ITEMS OR TO ANY REPLACEMENT PARTS LISTED UNDER MAINTENANCE.

ANY IMPLIED WARRANTIES SHALL BE LIMITED IN DURATION TO THREE (3) YEARS FROM DATE OF PURCHASE. SOME STATES IN THE U.S. AND SOME CANADIAN PROVINCES DO NOT ALLOW LIMITATIONS ON HOW LONG AN IMPLIED WARRANTY LASTS, SO THE ABOVE LIMITATION MAY NOT APPLY TO YOU.

IN NO EVENT SHALL SELLER BE LIABLE FOR ANY INCIDENTAL OR CONSEQUENTIAL DAMAGES (INCLUDING BUT NOT LIMITED TO LIABILITY FOR LOSS OF PROFITS) ARISING FROM THE SALE OR USE OF THIS PRODUCT. SOME STATES IN THE U.S. AND SOME CANADIAN PROVINCES DO NOT ALLOW THE EXCLUSION OR LIMITATION OF INCIDENTAL OR CONSEQUENTIAL DAMAGES, SO THE ABOVE LIMITATION OR EXCLUSION MAY NOT APPLY TO YOU.

THIS LIMITED WARRANTY GIVES YOU SPECIFIC LEGAL RIGHTS, AND YOU MAY ALSO HAVE OTHER RIGHTS WHICH VARY FROM STATE TO STATE IN THE U.S., PROVINCE TO PROVINCE IN CANADA AND FROM COUNTRY TO COUNTRY.

Please call toll free at: 1-800-791-9458(M-F 9am – 5pm EST) Email: support@amerisuninc.com

PLEASE SAVE ALL OF YOUR ORIGINAL RECEIPTS. THIS WARRANTY IS VOID WITHOUT THEM.

Tabla de contenidos

Datos técnicos..... 26
Introducción..... 27
Información de seguridad..... 27
Procedimientos generales de seguridad ... 28
Instrucciones importantes de seguridad..... 29
Conocer tu cortadora de césped..... 31
Preparaciones de la cortadora de césped..... 32
Manejo..... 35
Mantenimiento.....39
Almacenamiento..... 43
Solución de problemas..... 44
Vista despiezada y listado de piezas..... 45
Garantía..... 49

Datos técnicos

22" 3-en-1 Cortadora de césped autopropulsado Model #PSM2022

Tipo de motor:	4 tiempos, OHV, con cilindro de sistema de enfriamiento de aire forzado
Potencia:	196cc
Capacidad del tanque de gasolina:	0.34 Galones
Capacidad de aceite:	16.9 fl.oz
Anchura del corte:	22 inch
Altura del corte:	1.2 – 3.5 inch
Diferentes alturas:	5 Posiciones
Tipo de tracción:	Tracción trasera
Capacidad de recogedor de hierba	1.5 Bushels
Tipo de ruedas:	Delanteras: 8inch / traseras: 11.5 inch
Dimensiones del paquete (Largo x ancho x altura):	37.6 x 24.4 x 18.1 inches
Peso:	80.5lb.

Introducción

Gracias por Comprar el producto de PowerSmart®. Este manual proporciona información sobre el manejo seguro y el mantenimiento de este producto. Se han realizado todos los esfuerzos para garantizar la exactitud de la información contenida en este manual. PowerSmart® se reserva el derecho de cambiar este producto y sus especificaciones en cualquier momento sin previo aviso.

Mantenga este manual a disposición de todos los usuarios durante toda la vida útil de la cortadora de césped.



Este manual contiene mensajes especiales para llamar la atención sobre posibles problemas de seguridad, daños en la cortadora de césped, así como informaciones útiles de manejo y servicio. Lea toda la información cuidadosamente para evitar lesiones y daños a la máquina.

¿PREGUNTAS? ¿PROBLEMAS?

Póngase en contacto con nuestro Departamento de Servicio al Cliente si tiene cualquier pregunta o comentario, ya sea por correo electrónico: support@amerisuninc.com, o llame gratis al (800) 791-9458. Estamos disponibles de lunes a viernes de las 9 a las 17 EST para solucionar cualquier problema que pueda encontrar.

AVISO SOBRE LAS EMISIONES

Los motores están certificados para cumplir con las regulaciones de emisiones de la EPA de los EE. UU. para SORE (Small Off Road Equipment), están certificados para operar con gasolina sin plomo regular, y pueden incluir los siguientes sistemas de control de emisiones: (EM) Modificaciones del motor y (TWC) Tres vías Catalizador (en caso de estar equipado).

INFORMACION DE SEGURIDAD

Antes de usar esta cortadora de césped, lea y observe todas las advertencias, precauciones e instrucciones del cortacésped en este Manual de Usuarios.

NOTA: La siguiente información de seguridad no pretende cubrir todas las posibles condiciones y situaciones que puedan ocurrir. Lea el Manual del propietario completo para obtener instrucciones de seguridad y funcionamiento. El incumplimiento de las instrucciones y la información de seguridad podría provocar lesiones graves o la muerte.

Este símbolo de alerta de seguridad se usa para identificar información de seguridad sobre peligros que pueden ocasionar lesiones personales.



Se usa una palabra de advertencia (**PELIGRO**, **ADVERTENCIA** o **PRECAUCIÓN**) con el símbolo de alerta para indicar la probabilidad y la posible gravedad de la lesión. Además, se puede usar un símbolo de peligro para representar el tipo de peligro.

PELIGRO indica un peligro que, si no se evita, causará la muerte o lesiones graves.

ADVERTENCIA indica un peligro que, si no se evita, podría causar la muerte o lesiones graves.

PRECAUCIÓN indica un peligro que, si no se evita, podría provocar lesiones leves o moderadas.

PRECAUCIÓN cuando se usa sin el símbolo de alerta, indica una situación que podría dañar el motor.

PROCEDIMIENTOS GENERALES DE SEGURIDAD

Si tiene alguna pregunta sobre los avisos de peligro y seguridad que figuran en este manual o en el producto, llame al (800) 791-9458 de lunes a viernes de 9 a 17 EST horas antes de usar el motor.



PELIGRO: MONOXIDO DE CARBONO

U Usar un motor bajo techo PUEDE MATARLE EN MINUTOS. El escape del cortacésped contiene monóxido de carbono (CO). Este es un gas venenoso que no puede ver ni oler. Si puede oler el escape del motor, está respirando (CO). Pero aunque no pueda olerlo, podría estar respirando CO.

NUNCA use un cortacésped dentro de casas, garajes, espacios de acceso u otras áreas parcialmente cerradas. Los niveles mortales de monóxido de carbono pueden acumularse en estas áreas. El uso de un ventilador o la apertura de ventanas y / o puertas NO ventilará adecuadamente el CO ni proporcionará el aire fresco adecuado. SOLO usar el cortacésped en espacios al aire libre y lejos de ventanas, puertas y ventilaciones. Estas aberturas pueden absorber el humo de escape del cortacésped.

Aunque use el cortacésped correctamente, el CO puede filtrarse en la casa. SIEMPRE debe usar una alarma de CO a batería o con batería de respaldo en el hogar. Si comienza a sentirse enfermo, mareado o débil después de que el cortacésped haya estado funcionando, vaya al aire fresco INMEDIADAMENTE. Ir a un doctor. Puede tener envenenamiento por inhalar monóxido de carbono.

ADVERTENCIA: El escape de este producto contiene sustancias químicas que el estado de California sabe que causan cáncer, defectos de nacimiento u otros daños reproductivos.

ADVERTENCIA: Este cortacésped puede emitir vapores de gasolina altamente inflamables y explosivos, que pueden causar quemaduras graves o incluso la muerte si se encienden. Una llama abierta cercana puede provocar una explosión incluso si no está directamente en contacto con la gasolina.

- No manejarla cerca de una llama abierta.
- No fumar cerca del cortacésped..
- Siempre manejarlo en una superficie firme y nivelada.
- Siempre apagar el motor antes de repostar. Dejar que el motor se enfríe durante al menos 2 minutos antes de retirar la tapa del combustible. Aflojar la tapa lentamente para aliviar la presión en el tanque..
- No llenar en exceso el tanque de combustible. La gasolina puede expandirse durante la operación. Nunca llene hasta la parte superior del tanque. Para permitir su expansión dentro del tanque.
- Siempre revisar si hay combustible derramado antes de manejar la máquina.
- Vaciar el tanque de combustible y la cubeta del carburador antes de guardar o transportar el cortacésped.

ADVERTENCIA: Este cortacésped produce calor al funcionar. Las temperaturas cerca del escape pueden exceder de 1500F (65⁰ C).

No toque las superficies calientes. Preste atención a las etiquetas de advertencia en el cortacésped que identifican las partes calientes de la máquina.

Permita que el motor se enfríe después de usarlo antes de tocar el motor o las áreas del motor que se calientan durante el uso.

PRECAUCIÓN: el mal uso de este cortacésped puede dañarlo o acortar su vida útil.

Utilice el cortacésped únicamente para los fines previstos.

INSTRUCCIONES IMPORTANTES DE SEGURIDAD

Manejo General

Lea, comprenda y siga todas las instrucciones en la máquina y en los manuales antes de comenzar.

1. No poner las manos o los pies cerca o debajo de la máquina. Mantener el conducto de descarga libre de obstáculos durante todo el tiempo.
2. Solo permita que los adultos responsables que están familiarizados con las instrucciones manejen esta máquina.
3. Limpiar el área de objetos tales como piedras, cables, juguetes, etc., que podrían ser lanzados por la cuchilla. Quedarse detrás de la manija cuando el motor esté en marcha.
4. Asegurarse de que el área esté libre de espectadores antes de operar. Parar la máquina si alguien entra en el área.
5. No usar la máquina descalzo o con sandalias. Siempre usar calzado sustancial.
6. No tirar de la máquina hacia atrás a menos que sea absolutamente necesario. Siempre mirar hacia abajo y hacia atrás antes y mientras moverse hacia atrás.
7. Nunca dirigir material descargado hacia nadie. Evitar descargar material contra una pared u obstrucción. El material puede rebotar hacia el operador. Detenga la cuchilla al cruzar superficies de grava.
8. No opere la máquina sin el recogedor de césped, el protector de descarga, el protector trasero u otros dispositivos de protección de seguridad en su lugar y funcionando.
9. Nunca deje una máquina en funcionamiento desatendida.
10. Detenga el motor y espere hasta que la cuchilla se detenga por completo antes de limpiar la máquina, retirar el recogedor de hierba o desatascar el protector de descarga.
11. Operar la máquina solo a la luz del día o con buena luz artificial.
12. No opere la máquina bajo la influencia del alcohol o las drogas.
13. Nunca opere el cortacésped en hierba mojada. Siempre asegúrese de su pie; caminar; nunca correr.
14. Desconecte el sistema de transmisión, si está equipado, antes de arrancar el motor.
15. Si la máquina comienza a vibrar de manera anormal, pare el motor y busque la causa de inmediato. La vibración es generalmente una advertencia de problemas.
16. Use siempre protección para los ojos cuando opere la máquina.
17. Vea las instrucciones del fabricante para la operación apropiada e instalación de accesorios. Utilice únicamente accesorios aprobados por el fabricante.

Operación de la pendiente

Las pendientes son un factor importante relacionado con los accidentes por resbalones y caídas, que pueden provocar lesiones graves. La operación en todas las pendientes requiere precaución adicional. Si se siente incómodo en una pendiente, no la corte.

1. Cortar en la cara de las laderas; nunca arriba y abajo. Tenga mucho cuidado al cambiar de dirección en las pendientes.
2. Esté atento a los agujeros, surcos, baches, rocas u otros objetos ocultos. Terreno desigual podría causar un resbalón y caída accidente. El césped alto puede ocultar obstáculos.
3. No corte el césped sobre mojado o en pendientes excesivamente pronunciadas. La mala posición del pie podría provocar un resbalón y caída.
4. No corte el césped cerca de bajadas, zanjas o terraplenes. Podría perder el equilibrio o caerse.

Niños

Se pueden producir lesiones graves si el operador no está alerta a la presencia de niños en el área inmediata. Los niños a menudo se sienten atraídos por la actividad de corte. Nunca asumas que los niños permanecerán donde los viste por última vez.

1. Mantenga a los niños fuera del área de corte y bajo la vigilancia de un adulto responsable que no sea el operador.

2. Esté alerta y apague el cortacésped si un niño ingresa en el área.
3. Nunca permita que niños menores de 16 años operen la cortadora de césped.
4. Tenga especial cuidado al acercarse a esquinas ciegas, arbustos, árboles u otros objetos que puedan bloquear su visión de un niño.

Servicio

1. Manejo seguro de la gasolina
2. Para evitar lesiones personales o daños a la propiedad, tenga mucho cuidado al manejar la gasolina. La gasolina es extremadamente inflamable y los vapores son explosivos.
3. Apague todos los cigarrillos, puros, pipas y otras fuentes de ignición.
4. Utilice únicamente un contenedor de combustible portátil que cumpla con la aprobación de la US EPA.
5. Nunca quite la tapa del tanque de gasolina ni agregue combustible con el motor en marcha. Permita que el motor se enfríe antes de repostar.
6. Nunca intente reabastecer el combustible de la cortadora de césped cuando esté en un espacio cerrado.
7. Nunca almacene la máquina o el contenedor de combustible donde haya una llama abierta, una chispa o una luz piloto, como en un calentador de agua o en otros aparatos.
8. Nunca llene los contenedores dentro de un vehículo o en una camioneta o camilla de remolque con un forro de plástico. Siempre coloque los recipientes en el suelo lejos de su vehículo antes de llenarlos.
9. Retire el equipo a gasolina del camión o remolque y llénelo de combustible en el suelo. Si esto no es posible, repostar dicho equipo con un contenedor portátil, en lugar de hacerlo desde una boquilla dispensadora de gasolina.
10. Mantenga la boquilla en contacto con el borde del tanque de combustible o la abertura del recipiente en todo momento hasta que se complete la carga de combustible. No utilice un dispositivo de bloqueo de boquilla abierto.
11. Si se derrama combustible sobre la ropa, cámbiela inmediatamente.
12. Nunca llene en exceso el tanque de combustible. Vuelva a colocar la tapa del depósito y apriete firmemente.

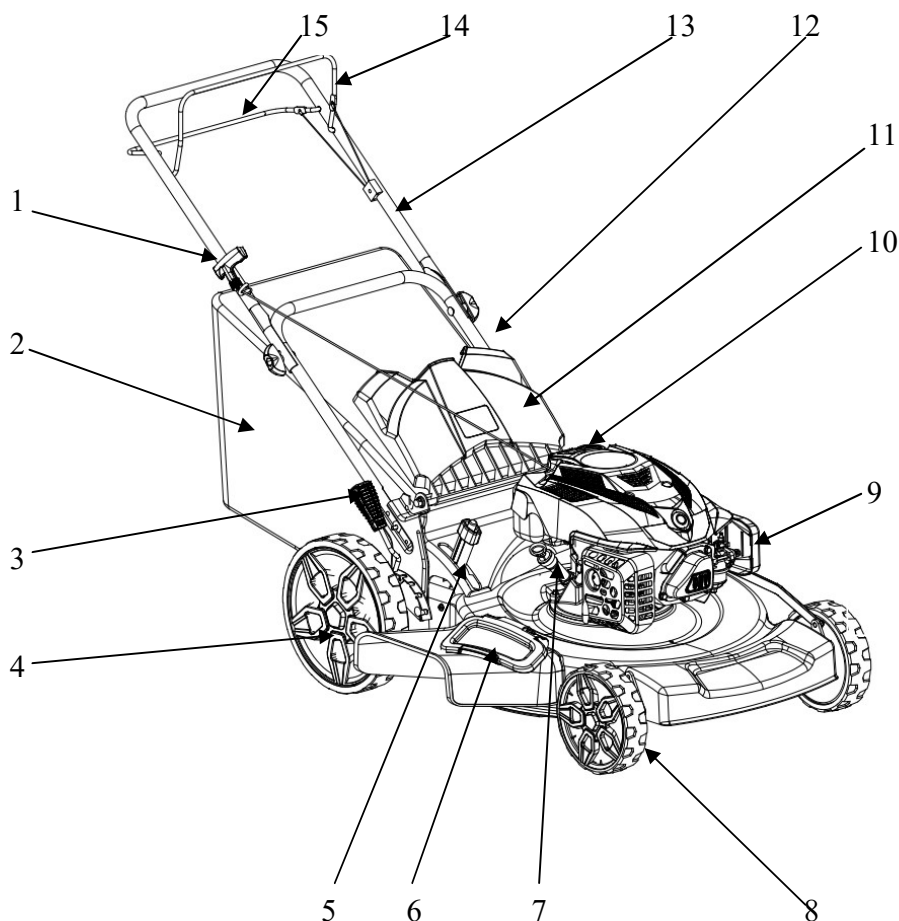
Servicio general

1. Nunca opere la máquina en un área cerrada.
2. Mantenga todos los pernos y tuercas apretados para asegurarse de que el equipo se encuentre en buenas condiciones de funcionamiento.
3. Nunca manipule indebidamente los dispositivos de seguridad. Compruebe su correcto funcionamiento regularmente.
4. Mantenga la máquina libre de hierba, hojas u otros residuos acumulados. Limpie el aceite o el derrame de combustible y retire cualquier residuo empapado en combustible. Deje que la máquina se enfríe antes de guardarla.
5. Si golpea un objeto extraño, deténgase e inspeccione la máquina. Repare, si es necesario, antes de comenzar.
6. Nunca haga ajustes o reparaciones con el motor en marcha. Desconecte el cable de la bujía para evitar un arranque involuntario.
7. Revise los componentes del colector de césped y la protección de descarga con frecuencia y reemplácelos con las piezas recomendadas por el fabricante, cuando sea necesario.
8. Las cuchillas del cortacésped están afiladas. Envuelva la cuchilla o use guantes, y tenga mucho cuidado al darles servicio.

- 9. No cambie la configuración del regulador del motor ni exceda la velocidad del motor.
- 10. Mantenga o reemplace las etiquetas de seguridad e instrucciones, según sea necesario.

Conocer su cortacésped

Por favor use la imagen debajo para familiarizarse con la localización y la función de los componentes que controlan su cortacésped.



1	Manija de arrancador de retroceso	9	Filtro de aire
2	Cesta de recogida de hierba	10	Tapón del depósito de combustible
3	Palanca de ajuste de altura de corte	11	Puerta trasera de desgarga
4	Rueda trasera	12	Manija inferior
5	Palanca de control cubierta	13	Manija superior
6	Tolva de descarga lateral	14	Control de arranque/ parada del motor
7	Varilla de nivel de aceite	15	Barra de control de accionamiento
8	Rueda delantera		

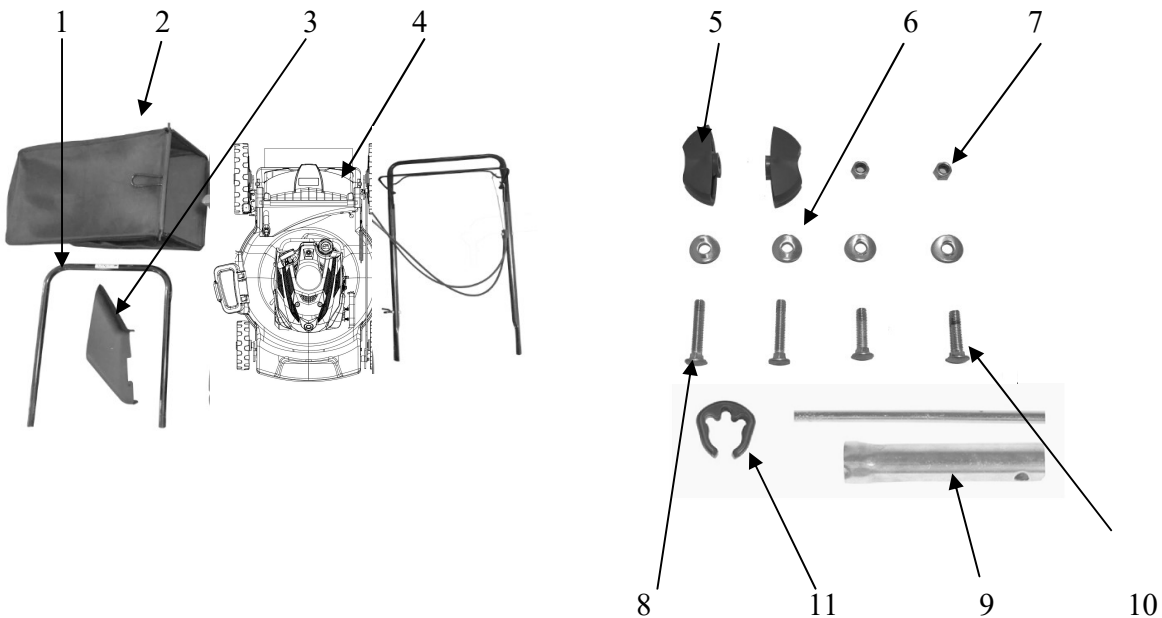
PREPARACIONES DEL CORTACÉSPED

La siguiente sección describe los pasos necesarios para preparar la cortadora de césped para su uso. Si después de leer esta sección, no está seguro de cómo realizar alguno de los pasos, llame al (800)791-9458 de lunes a viernes de 9 a 17 horas, Hora Estándar de Oriente (EST) para obtener ayuda del departamento de servicio al cliente. Si no realiza estos pasos correctamente puede dañar la cortadora de césped o acortar su vida útil.

DESEMBALAR

Herramientas necesarias (no incluidas): #2PH destornillador, cuchillo.

Desembalar el cortacésped y todas las piezas, y comparar con el siguiente listado. No se desaga del embalaje ni de ningún envoltorio hasta que el cortacésped esté totalmente ensamblado

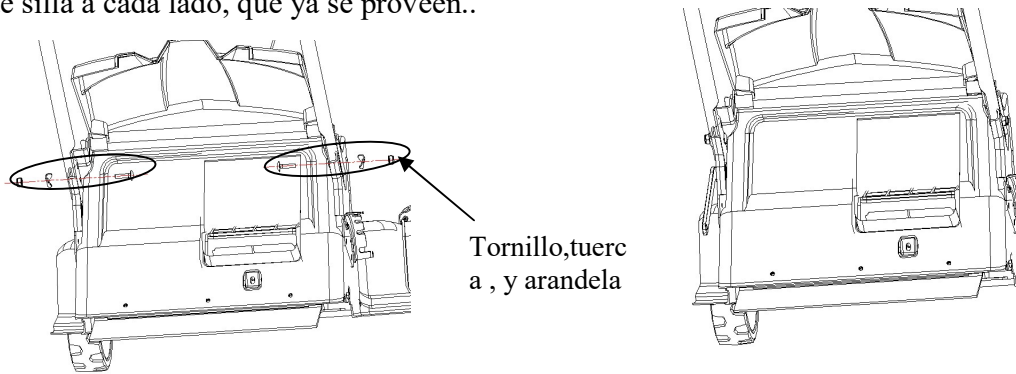


- 1 Manija inferior (izquierda y derecha)
- 2 Cesta de recogida de hierba
- 3 Tolva de descarga lateral
- 4 Cortacésped con manija superior
- 5 Botón (2)

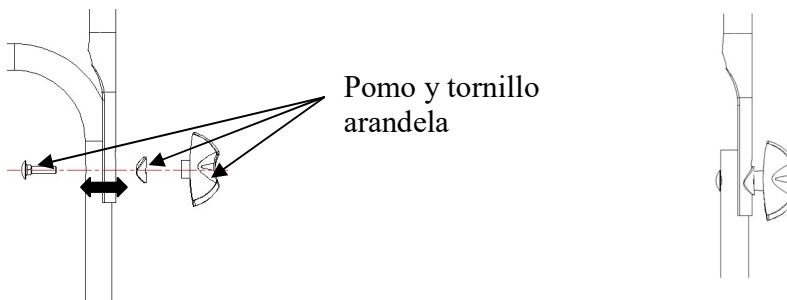
- 6 arandela (4)
- 7 tuerca M8 (2)
- 8 Tornillo M8X45 (2)
- 9 Llave de bujías de encendido
- 10 Tornillo M8X35 (2)
- 11 Clip de Cable

FIJACIÓN DE LA MANIJA INFERIOR Y SUPERIOR

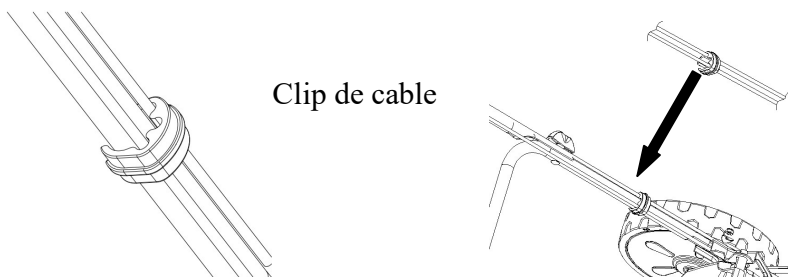
- 1 Coja la manija inferior y alinee el orificio de la manija inferior con el orificio del soporte de la manija. Asegúrese de que el mango inferior izquierdo esté al lado izquierdo del cortacésped y el mango inferior derecho al lado derecho del cortacésped.
- 2 Se fija la manija inferior con soporte de manija con el tornillo M8 (1), tuerca M8 (1) y arandela con forma de silla a cada lado, que ya se proveen..



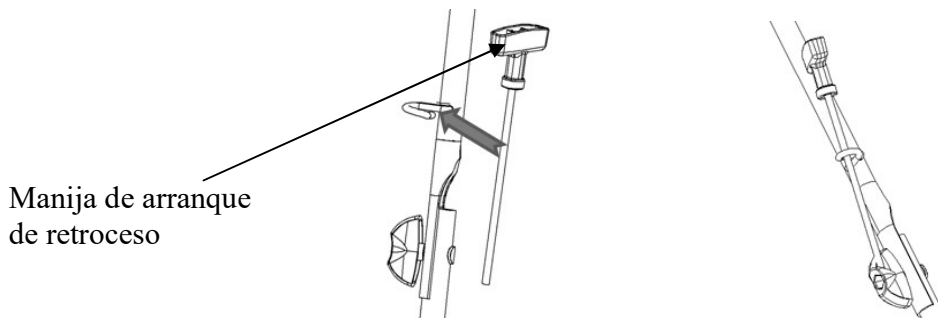
3. Se impulsa la manija superior hacia arriba y se la sujeta en su lugar con pernos, arandela y botón a ambos lados.



- 4 Fije el cable a la manija usando el clip de cable



4. Inserte el cable de la manija de arranque de retroceso en el gancho provisto en la manija superior.



BOLSA DE RECOGIDA DE HIERBA

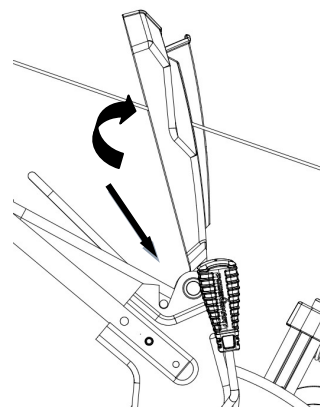
Fijar la bolsa de recogida de hierba

1. Levante la puerta trasera de descarga del cortacésped
2. Coloque la bolsa de recogida de hierba a las ranuras del soporte de manija.
3. Suelte la puerta trasera de descarga para que quede en el recogedor de hierba

Cuidado: Asegúrese de que la Palanca de Control Cubierta se encuentra en la posición de bolsa.

Quitar la bolsa de recogida de hierba.

1. Levante la puerta trasera de descarga.
2. Levante la bolsa de recogida de hierba y saque de las ranuras del soporte de manija.
3. Mueva la Palanca de Control Cubierta hasta la posición de cubierta.
4. Suelte la puerta trasera de descarga del cortacésped para que se permita el cierre de boca trasera del cortacésped.

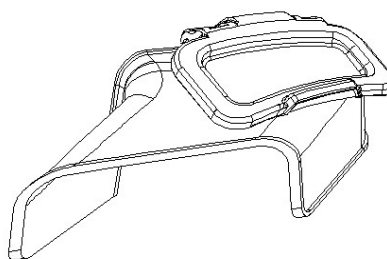
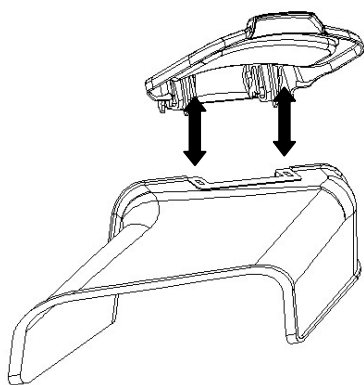


TOLVA DE DESCARGA LATERAL

Convierta el cortacésped en descarga lateral, asegúrese de que la palanca de control cubierta esté en la posición de cubierta, la bolsa de recogida de hierba se ha quitado y así que la puerta trasera de descarga se cierra.

1. Levante la cubierta de descarga con resorte situada al lado del cortacésped.
2. Se deslice dos ganchos de la tolva de descarga lateral bajo la bisagra y baje el resorte de la cubierta de descarga lateral.

Cuidado: No intente remover la cubierta de descarga lateral con resorte fijada permanentemente en cualquier momento.



AJUSTER LA HAUTEUR DE DECOUPE



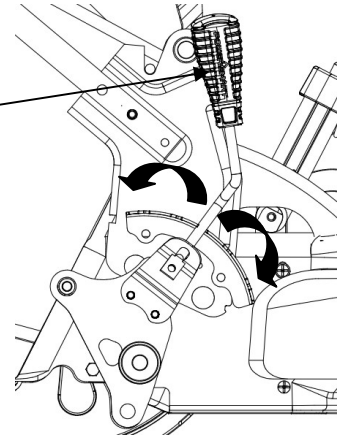
Avertissement ! Les réglages de la hauteur de découpe ne doivent être effectués qu'après l'arrêt complet du moteur et des lames !

Il est toujours préférable de commencer à couper votre pelouse avec une hauteur de pont plus élevée pour éviter de scalper votre pelouse.

La hauteur de découpe est ajustée avec un seul levier.

Actionnez le levier de réglage et tirez-le dans la position souhaitée. Assurez-vous que le levier se verrouille en position.

AJUSTER LA HAUTEUR DE DECOUPE



OPÉRATION

REPLISSAGE DE GAZ ET D'HUILE

Le moteur est expédié sans huile ni essence. Assurez-vous d'ajouter de l'huile et de l'essence avant de démarrer le moteur.

1. Ajouter de l'huile avant de démarrer la tondeuse pour la première fois.
2. Faites le plein d' essence conformément aux instructions .



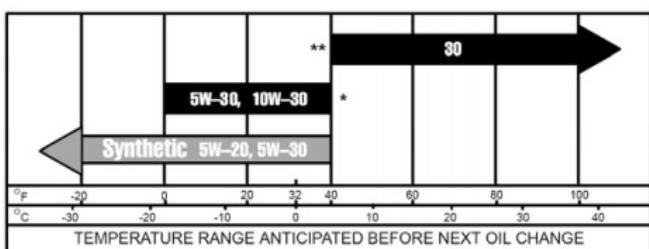
Avertissement: Faites très attention lorsque vous manipulez de l'essence. L'essence est extrêmement inflammable et ses vapeurs sont explosives. Ne remplissez jamais la machine à l'intérieur ou lorsque le moteur est chaud ou en marche. Éteignez toutes les cigarettes, cigares, pipes et autres sources d'inflammation potentielles.

AGREGAR ACEITE

El motor se envía sin aceite. El usuario debe agregar la cantidad adecuada de aceite antes de la operación del por primera vez. La capacidad de aceite del cárter del motor es de 18fl.oz. Para uso general (por encima de 40°F), recomendamos el aceite de motor de 30W, para 4 emboladas.

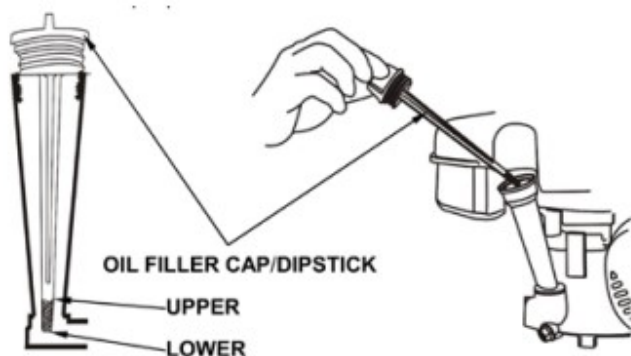
RECOMENDACIONES DE ACEITE DE MOTOR

El aceite es un factor importante que afecta el rendimiento y la vida útil. Recomendamos el uso de un buen aceite detergente automotriz. Se recomienda 30W para la mayoría de las aplicaciones. Otros grados de viscosidad que se muestran a continuación pueden ser aceptables para su uso en estos motores.



Cuando se agrega el aceite, siga estos pasos:

1. Asegúrese de que el motor esté en una superficie de conducir. La inclinación del motor para el llenado generará a que el aceite fluya hacia las áreas del motor y causará daños.
2. Saque la varilla del motor.
3. Agregue el aceite lentamente. No lo sobrellene.
4. Para revisar el nivel de aceite, limpie la varilla con un trapo limpio. Introduzca la varilla desde la apertura de llenado de aceite sin encajar girándola. Retire la varilla para verificar la marca de aceite.
5. Agregue lentamente más aceite y repita el paso 4 hasta que la marca de aceite llegue a la marca superior de la varilla. No llene en exceso el cárter.
6. Compruebe si hay fugas de aceite. Apriete firmemente la varilla.



AGREGAR GASOLINA



ADVERTENCIA: Este motor puede emitir vapores de gasolina altamente inflamables y explosivos, que pueden causar quemaduras graves o incluso la muerte si se encienden. Una llama abierta cercana puede provocar una explosión incluso si no está directamente en contacto con la gasolina.

Utilisez de l'essence sans plomb fraîche (dans les 30 jours suivant l'achat) avec un indice d'octane minimum de 87. Ne mélangez pas l'huile avec de l'essence.

Pour ajouter de l' essence, procédez comme suit:

1. Assurez-vous que la tondeuse est sur une surface plane.
2. Dévissez le bouchon du réservoir de carburant et mettez-le de côté. **REMARQUE:** le bouchon du réservoir peut être serré et difficile à dévisser.
3. Ajoutez lentement de l'essence sans plomb dans le réservoir. Veillez à ne pas trop remplir. La capacité du réservoir de carburant est de 0,34 gallons.

REMARQUE: Ne remplissez pas le réservoir de carburant au maximum. L'essence augmentera et débordera pendant l'utilisation même avec le bouchon d'essence en place.

4. Remettez le bouchon en place et essuyez toute essence renversée avec un chiffon sec.

IMPORTANT:

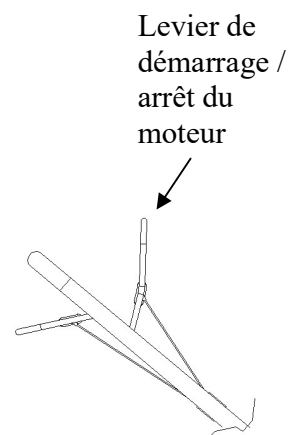
- N'utilisez jamais de mélange huile / essence.
- N'utilisez jamais d'essence ancienne.
- Évitez que le réservoir d'essence ne soit sali ou incrusté.

- L'essence peut vieillir dans le réservoir et en rendre le démarrage difficile. N'entreposez jamais la tondeuse à gazon pendant de longues périodes avec du carburant dans le réservoir ou le carburateur.

DÉMARRAGE / ARRÊT DU MOTEUR

Cette tondeuse à gazon est équipée d'un levier de démarrage / d'arrêt du moteur pour empêcher le démarrage involontaire et assurer un fonctionnement sûr. Relâcher ce levier arrêtera rapidement la lame en cas de danger. Le levier doit être actionné avant le démarrage de la tondeuse à gazon. Lorsque le levier de démarrage / d'arrêt du moteur est relâché, il doit revenir à sa position initiale.

Avant de commencer à tondre, vous devez effectuer ce processus plusieurs fois afin de vous assurer que les câbles du levier et de l'actionneur fonctionnent correctement. Répétez le test plusieurs fois après le démarrage du moteur. Lorsque le levier de démarrage / d'arrêt du moteur est relâché, le moteur doit s'arrêter en quelques secondes. Lorsque le levier de démarrage / d'arrêt du moteur est relâché, le moteur doit s'arrêter en quelques secondes.



Avertissement : La lame commence à tourner dès que le moteur est démarré.

DÉMARRER LE MOTEUR

1. Se asegure de que el cable de encendido se conecta con la bujía..
2. Se encuentre detrás del cortacésped. Se activa la palanca de arranque/parada con una mano. La otra tiene que ponerse en la manija del arrancador.
3. se arranca el motor usando la manija de arrancador. Se lo realiza retirando la manija aproximadamente de 4-6 pulgadas (hasta que siente la resistencia) y luego se activa el motor con un tirón inmediato. Si el motor no se arranca, atraste la manija otra vez.

Cuidado: Nunca se permite el cable accionador volver de inmediato.

Cuidado: Cuando hace frío, será necesario repetir el proceso del arranque algunas veces.

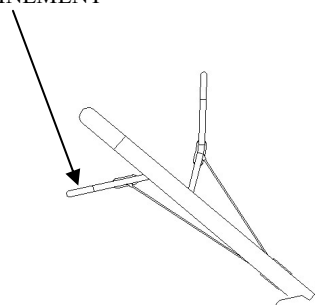
ARRÊTEZ LE MOTEUR

Relâchez le levier de démarrage / arrêt du moteur pour arrêter le moteur.

BARRA DE CONTROL DE ACCIONAMIENTO

Si presiona la barra de control de accionamiento, el embrague de accionamiento se cerrará y la cortadora de césped comenzará a moverse con el motor. Suelte la barra de control de accionamiento a tiempo para detener la cortadora de césped en movimiento. Practique el arranque y la parada antes de usar la cortadora de césped por primera vez hasta que esté familiarizado con el control del cortadora de césped.

BARRE DE CONTRÔLE
D'ENTRAÎNEMENT



BARRE DE CONTRÔLE D'ENTRAÎNEMENT

Si vous appuyez sur la barre de contrôle d'entraînement, l'embrayage sera fermé et la tondeuse commencera à bouger avec le moteur en marche, relâchez la barre de contrôle de l'entraînement à temps

pour arrêter la tondeuse à gazon en mouvement. Entraînez-vous à démarrer et à vous arrêter avant d'utiliser la tondeuse pour la première fois, jusqu'à ce que vous maîtrisiez bien le contrôle de la tondeuse.

La tondeuse

L'accélérateur du moteur de votre tondeuse a été pré-réglé pour offrir des performances d'ensachage et de paillage optimales pour les années à venir.

N'utilisez qu'une lame tranchante en bon état. Cela empêchera les brins d'herbe de s'effiloche et la pelouse de jaunir.

Tondez dans les lignes droites pour un regard agréable et propre. Les andains doivent se chevaucher de quelques centimètres pour éviter les rayures.

Il est important de garder le dessous de la tondeuse propre et d'enlever l'accumulation de gazon.

Toujours tondez le long des pentes (pas de haut en bas). Vous pouvez empêcher la tondeuse de glisser en tenant une position inclinée vers le haut. Sélectionnez la hauteur de coupe en fonction de la longueur de l'herbe. Si nécessaire, tondez un certain nombre de fois afin de ne jamais couper plus de 2 pouces d'herbe en une seule fois.

Éteignez le moteur avant de faire des vérifications sur la lame. Gardez à l'esprit que la lame continue de tourner pendant quelques secondes après l'arrêt du moteur. N'essayez jamais d'arrêter manuellement la lame.

Vérifiez régulièrement si la lame est solidement fixée, en bon état et bien affûtée. Si dans cas contraire, affûtez la lame ou remplacez-la. Dans le cas où la lame heurte un objet, éteignez immédiatement la tondeuse à gazon et attendez que la lame s'arrête complètement. Inspectez ensuite l'état de la lame et du support de lame.

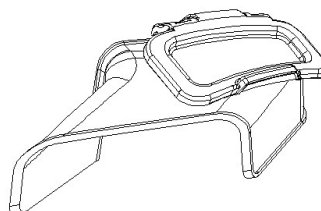
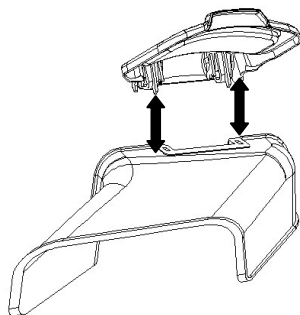
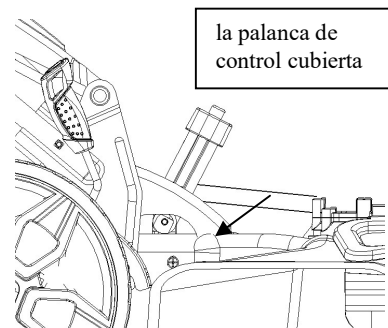
USANDO COMO LA PALANCA DE CONTROL CUBIERTA

Si el recogedor de hierba se encuentra en el cortacésped, y la palanca de control de acolchado queda en la posición de bolsa, mueva la palanca hasta la posición de acolchado antes de cubrir los recortes.

Si la tolva de descarga lateral se encuentra en el cortacésped, muévela antes de cubrir los recortes.

Debe instalar el adaptador de acolchado para utilizar la descarga lateral.

1. En el lateral del cortacésped, levante la cubierta de descarga lateral.
2. Deslice dos ganchos de tolva de descarga lateral por debajo del pasador de bisagra que se encuentra en la cubierta de descarga lateral. Baje la tapa de descarga lateral.



Precaución: No retire la cubierta de descarga lateral en ningún momento.

Se usa como una bolsa trasera

Use cesta de recogida para coleccionar los recortes cuando estoy operando el corta cortacésped

1. Fijar cesta de recogida persigue la instrucción a la preparación del cortacésped. Los recortes de hierba se recogerán automáticamente en la bolsa en cuanto funcione el cortacésped. Opere el cortacésped hasta la cesta de recogida resulta llena.

2. Pare el motor por completo por medio de la suelta de la palanca de arranque/ parada del motor. Se asegure de que el motor haya entrado en un estado parado completamente.

3. Levante la puerta trasera de descarga y saque la cesta de recogida mientras lo remueve fuera del cortacésped. Se vierte los recortes de hierba y reinstala la cesta de recogida al final.



Advertencia: Si toca objetos extraños, pare el motor. Remueve cable de bujías de encendido, examine detenidamente el cortacésped por cualquier avería, y la repare antes de rearrancar y operar. Vibración excesiva del cortacésped durante la operación es una indicación de la avería.

MANTENIMIENTO

Un mantenimiento rutinario adecuado de este cortacésped ayudará a prolongar la vida útil de la máquina.

Respete siempre las normas de seguridad cuando realice tareas de mantenimiento.

La garantía de este cortacésped no cubre los artículos que han sido objeto de abuso o negligencia por parte del usuario. Para recibir la cobertura completa de la garantía, el operador debe mantener el cortacésped como se indica aquí.

El cambio de la velocidad controlada por el motor invalidará la garantía del motor.

Todos los ajustes deben ser revisados al menos una vez cada temporada.

Revise periódicamente todos los sujetadores y asegúrese de que estén bien apretados.



Advertencia: Detenga siempre el motor, deje que se enfríe, desconecte el cable de la bujía antes de realizar cualquier tipo de mantenimiento en su máquina.

CUIDADO DE LA CUBIERTA

Es importante limpiar la parte inferior de la plataforma del cortacésped después de su uso para evitar la acumulación de restos de césped u otros residuos. Siga los pasos que se muestran a continuación para una limpieza adecuada.

1. Deje que el motor funcione hasta que se quede sin combustible. No intente verter el combustible del motor.
2. Desconecte el cable de la bujía. Consulte el manual del operario del motor.
3. Inclíne lentamente el cortacésped para que descansa sobre la carcasa.

4. Para evitar derrames de aceite, incline siempre el cortacésped de manera que el Filtro de Aire quede hacia arriba.
5. Sostenga firmemente el cortacésped, raspe y limpie la parte inferior de la plataforma con una herramienta adecuada.
6. Baje con cuidado el cortacésped sobre sus ruedas en el suelo.

Advertencia: Nunca incline el cortacésped más de 90 ° en ninguna dirección y no deje el cortacésped inclinado durante ningún período de tiempo. El aceite puede drenar hacia la parte superior del motor causando un problema de arranque.

HOJA DEL CORTACÉSPED

Para garantizar un funcionamiento seguro, todos los trabajos de afilado, balanceo y montaje de las cuchillas deben ser realizados por un centro de servicio autorizado. Para lograr resultados óptimos, recomendamos que se revise la hoja una vez al año.

Si, a pesar de toda precaución, la cuchilla entra en contacto con un obstáculo, apague el motor inmediatamente y retire el conector de la bujía. Incline el cortacésped hacia atrás y compruebe si la cuchilla está dañada. Siempre mantenga el lado con el filtro de aire hacia arriba. Las cuchillas dañadas o dobladas deben ser reemplazadas. Nunca intente enderezar una cuchilla doblada. Nunca trabaje con cuchillas dobladas o muy desgastadas, ya que esto causará en vibraciones, lo que ocasionará un daño mayor al cortacésped.



Advertencia: Riesgo de lesiones al trabajar con una cuchilla dañada.
VERIFICANDO EL ACEITE

La capacidad de aceite del cárter del motor es de 16.9fl. onz.

Verifique el nivel de aceite del motor de acuerdo con el Programa de Mantenimiento Recomendado. La cortadora de césped debe ser verificada antes de cada uso para determinar el nivel adecuado de aceite. Este es un paso crítico para el arranque correcto del motor.

Para verificar el nivel de aceite:

1. Asegúrese de que la cortadora de césped esté en una superficie nivelada.
2. Limpie alrededor de llenado de aceite. Retire la varilla medidora del aceite y la limpie con un trapo limpio. Inserte la varilla medidora del aceite en la boca de llenado de aceite sin atornillarla. Retire la varilla medidora del aceite para verificar la mancha de aceite. Agregue aceite si la mancha de aceite cubre menos de la mitad de la varilla.
3. Agregue lentamente más aceite y repita el paso 2 hasta que la mancha de aceite llegue a la parte superior de la varilla. No llene el cárter con exceso.
4. Vuelva a instalar la varilla medidora de aceite.

CAMBIANDO / AGREGANDO EL ACEITE

Cambie el aceite de acuerdo con el Programa de Mantenimiento Recomendado. Cambie el aceite cuando el motor esté caliente. Esto permitirá un drenaje completo. Cambie el aceite con más frecuencia si se opera bajo cargas pesadas o altas temperaturas ambientales. También es necesario drenar el aceite del cárter si se ha contaminado con agua o suciedad. La capacidad de aceite del motor es de 16.9 fl.oz. Agregue aceite cuando el nivel de aceite sea bajo. Para conocer el tipo y el peso adecuados de aceite, consulte la sección “RELLENO DE GAS Y ACEITE” de la sección “OPERACIÓN”.

Para volver a llenar el cárter con aceite, siga estos pasos:

1. Asegúrese de que la cortadora de césped esté en una superficie nivelada. La inclinación de la cortadora de césped al llenarla causará que el aceite fluya hacia las áreas del motor y causará daños. ¡Mantenga la cortadora de césped nivelada!
2. Retire la varilla medidora de aceite del motor.

3.Utilizando un embudo o un dispensador adecuado, agregue la cantidad correcta de aceite (16.9fl.oz) en el cárter.

4.Vuelva a instalar la varilla medidora de aceite.

NOTA: Nunca deseche el aceite de motor usado en la basura o en un desagüe. Llame a un centro de reciclaje local o garaje de automóviles para organizar la eliminación del aceite.

MANTENIMIENTO DE LIMPIADOR DE AIRE

El mantenimiento rutinario para el purificador de aire ayudará mantener el flujo de aire adecuado al carburador. De vez en cuando, verifique que el purificador de aire esté libre de suciedad excesiva.

Consulte el Programa de Mantenimiento Recomendado para detalles del mismo:

1. Abra la tapa del purificador de aire.
2. Retire el elemento esponjoso de la carcasa.
3. Limpie la suciedad del interior de la carcasa vacía del purificador de aire vacío.
4. Lave el elemento esponjoso con detergente doméstico y agua tibia. Una pequeña cantidad de aceite en el elemento es normal y necesaria para que el motor funcione correctamente.
5. Si es necesario, reemplace el elemento de papel.
6. Vuelva a instalar el elemento esponjoso en la carcasa del purificador de aire y vuelva a instalar la cubierta.

PRECAUCIÓN: hacer funcionar el motor con elemento sucio, dañado o sin purificador de aire causará que el motor se desgaste prematuramente.

MANTENIMIENTO DE ENCHUFE DE CHISPA

La bujía es importante para el correcto funcionamiento del motor. Una buena bujía debe estar intacta, libre de depósitos y tiene debidamente intervalo. Consulte el Programa de Mantenimiento Recomendado.

Para verificar la bujía:

1. Retire la funda de la bujía. Tenga cuidado de no rasgar el aislamiento o el cable.
2. Desatornille la bujía del motor con la llave inglesa proporcionada para bujías. Hay un espacio limitado para que la llave gire. Use ambas filas de orificios en la llave de bujías para ganar apalancamiento y aflojar el tapón.
3. Inspeccione visualmente que la bujía si o no tiene grietas o desgaste excesivo de los electrodos. Reemplace cuando sea necesario.
4. Mida el espacio del tapón con un calibre de cable. El espacio debe ser de 0.7 a 0.8mm (0.028-0.031 in).
5. Si reutiliza la bujía, use un cepillo de alambre para limpiar la suciedad alrededor de la base de la bujía y luego vuelva a abrir la bujía.
6. Atornille la bujía de nuevo en el orificio de la bujía con la llave de bujías. No apriete demasiado la bujía. El ajuste recomendado de la bujía es de $\frac{1}{2}$ a $\frac{3}{4}$ de vuelta después de que la junta estanca de la bujía entra en contacto con el orificio de la bujía. Vuelva a instalar la funda de la bujía.

Programa de mantenimiento

Ítem	Acción	Antes de cada uso	Uso de 5 horas o primer mes	Uso de primeras 25 horas	Uso de 50 horas o cada 6 meses	Uso de 100 horas o cada año	Uso de 150 horas o cada dos años
Espada	Inspeccionar	x					
Tornillo de montaje de cuchilla	Inspeccionar	x					
Aceite de motor	Verificar	x					
	Cambiar		x		x ²	x	x
Filtro de aire	Verificar	x					
	Limpiar			x ¹	x ¹	x ¹	
	Reemplazar						x
Bolsa de hierba	Verificar	x					
Operación con control de cuchilla	Verificar	x				x	
Bujía	Verificar					x	
	Reemplazar						x
Depósito de combustible	Limpiar					x	
Pastillas de freno de volante	Verificar					x	
Aclaramiento valvular	Verificar-ajustar					x	
Cable de combustible	Verificar	Revise cada 2 años y reemplácelo si es necesario.					

1. Realice servicios con más frecuencia al utilizar en áreas polvorientas.

2. Cambie el aceite del motor cada 25 horas al usarse bajo cargas pesadas o altas temperaturas del aire exterior.

ALMACENAMIENTO

PRECAUCIÓN: Nunca coloque ningún tipo de cubierta de almacenamiento o lona en el CORTACÉSPED mientras aún esté caliente.

Si la cortadura de césped se está almacenando por períodos prolongados (30 días o más), drene el tanque de combustible y el recipiente del carburador.

Al almacenar el cortacésped durante largos períodos de tiempo:

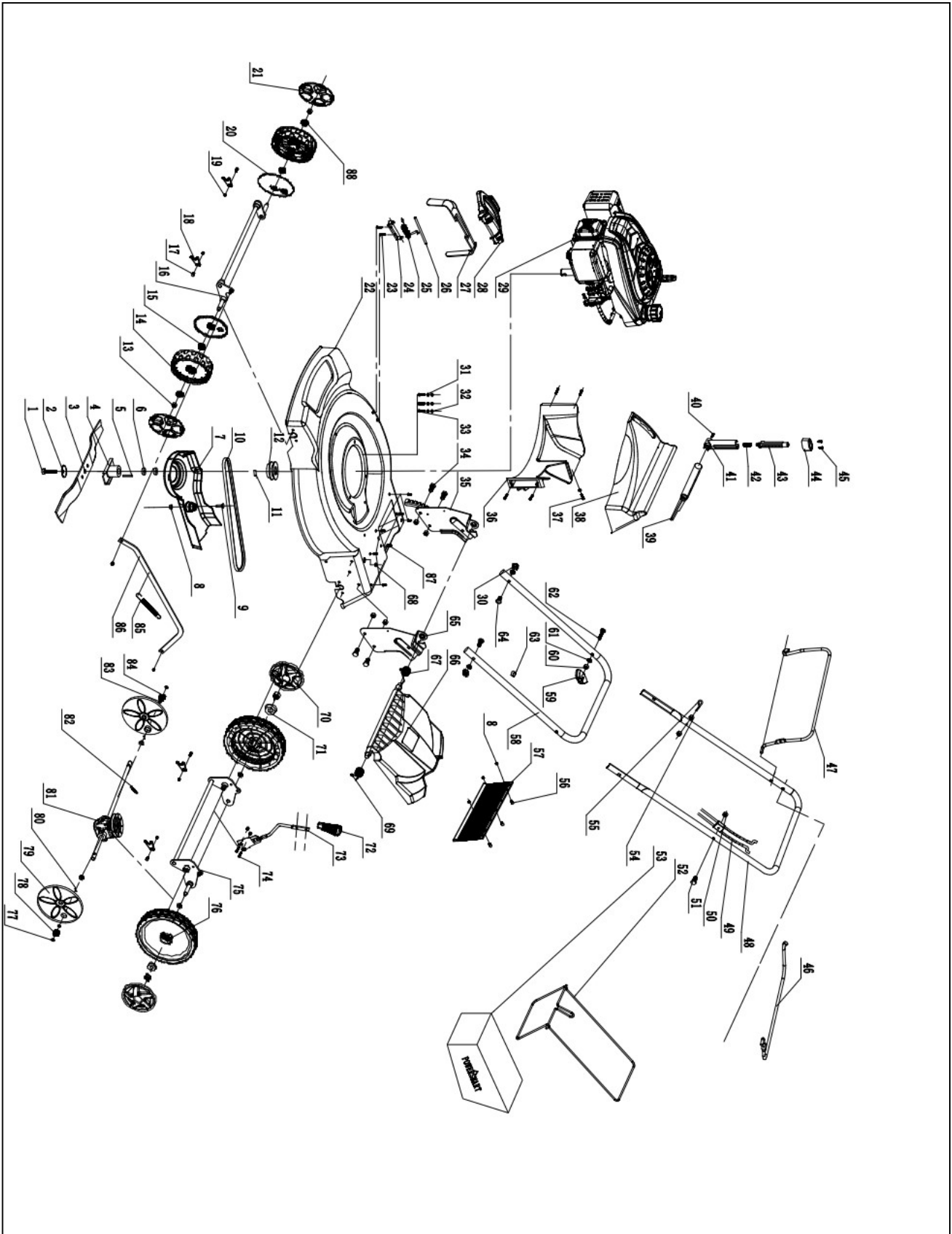
1. Arranque el motor y hágalo funcionar hasta que el tanque, la cubeta del carburador y la línea de combustible estén completamente vacíos y que el motor se pare.
- 3 Cambie el aceite después de cada temporada.
- 4 Retire la bujía. Use una lata de aceite para llenar el cilindro con aprox. 2 ml de aceite. Tire lentamente hacia atrás el mango de arranque, que bañará la pared del cilindro con aceite. Atornille la bujía de nuevo.
- 5 Limpie las aletas de refrigeración del cilindro y la carcasa.
- 6 Asegúrese de limpiar todo el equipo para proteger la pintura.
- 7 Almacene el equipo en un lugar bien ventilado.

NOTA: LA GARANTÍA LIMITADA no cubre daños del sistema de combustible o problemas de rendimiento del motor causados por una preparación de almacenamiento desatendida.

SOLUCIÓN DE PROBLEMAS

Problema	Causa	Solución
El motor no arranca	Palanca de arranque / parada del motor desconectada.	Conecte la palanca de arranque / parada del motor.
	Cable de bujía desconectado.	Conecte el cable de la bujía.
	Depósito de combustible vacío o combustible rancio.	Llene el tanque con gasolina limpia y fresca.
	El motor no está cebado.	Presione la pera de cebado.
	Bujía defectuosa.	Limpie, ajuste la separación, o reemplace la pieza.
	Línea de combustible bloqueada.	Limpie la línea de combustible.
	Motor inundado.	Espere unos minutos para reiniciar, no bebe.
El motor funciona de forma errática.	Cable de bujía suelto.	Conecte y tense el cable de la bujía.
	Línea de combustible bloqueada o combustible rancio.	Limpie la línea de combustible. Llene el tanque con gasolina limpia y fresca. Escurrir la cubeta del carburador.
	Agua o suciedad en el sistema de combustible.	Drene el tanque de combustible. Rellene con combustible nuevo.
	Filtro de aire sucio	Por favor, consulte el manual del motor.
El motor se sobrecalienta.	Nivel de aceite del motor bajo.	Llene el cárter con aceite adecuado.
	Flujo de aire restringido.	Limpie el área circundante y superior del motor.
Marcha en vacío deficiente.	Bujía obstruida, defectuosa, o brecha demasiado ancha.	Restablezca la brecha o reemplazar la bujía.
	Limpiador de aire sucio	Por favor, consulte el manual del motor.
Vibración / ruido excesivo	Hoja suelta o desequilibrada.	Apriete y equilibre la cuchilla.
	Hoja doblada / dañada.	Reemplace la cuchilla.
El cortacésped no cubre la hierba.	Hierba mojada	No corte el césped cuando está mojado, espere hasta que esté seco para cortarlo.
Corte desigual.	Hierba excesivamente alta.	Corte una vez a una altura de corte alta, luego vuelva a cortar a la altura deseada o haga un recorrido de corte más estrecho.
	Hoja desafilada	Afile o reemplace la hoja.

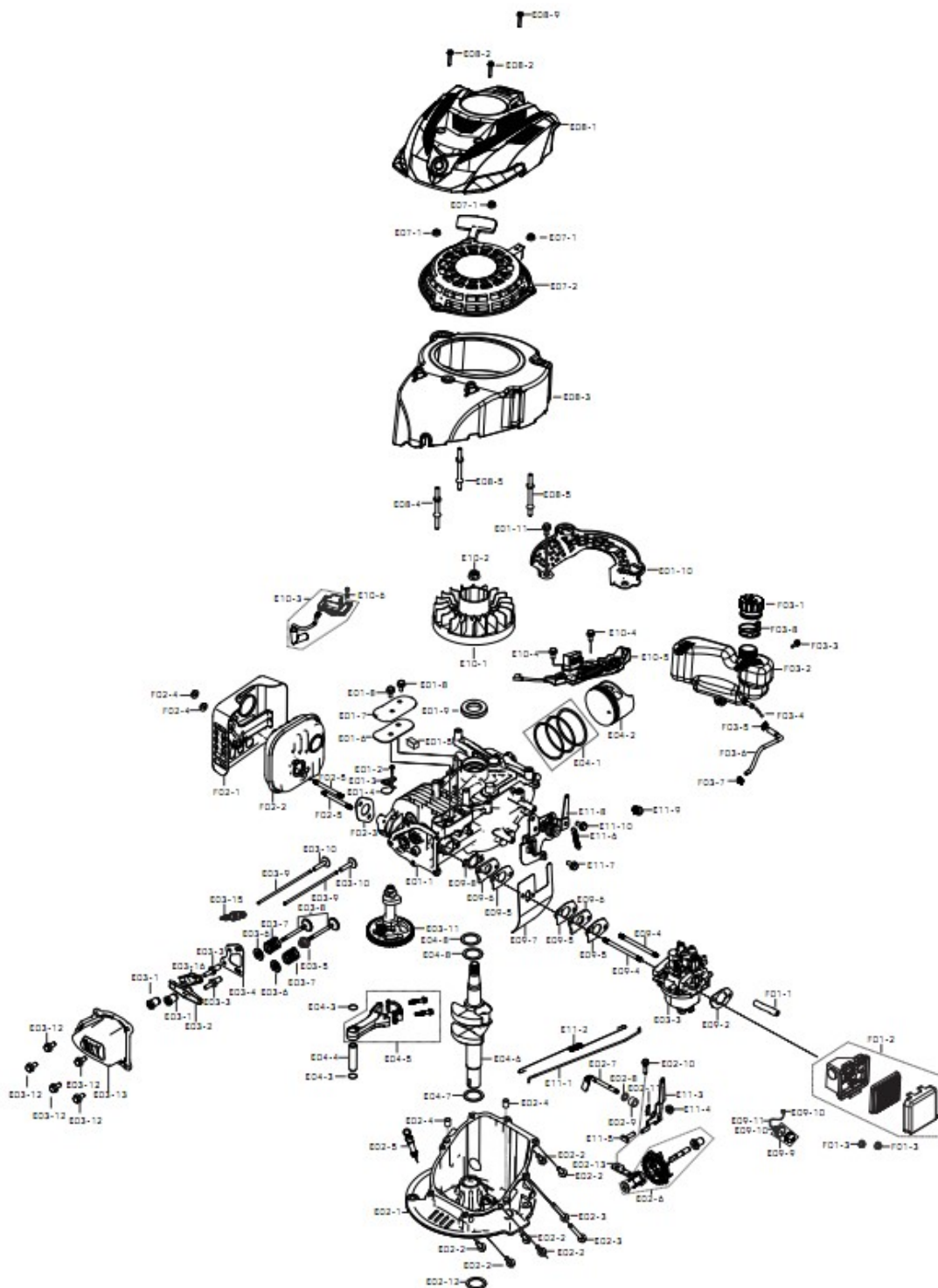
VISTA DETALLADA Y LISTADO DE PIEZAS



Item	Stock#	Description	Qty
1	303240514	Perno de cuchilla	1
2	303043023	Arandela de mariposa	1
3	303070862	22" Nueva hoja de cuchilla	1
4	303180808	Adaptador	1
5	303110023	Llave plana	1
6	303160550A	Casquillo espaciador	1
7	203050146A	Funda protectora de cinturón	1
8	303030087	Tuerca de brida	4
9	303020341	Tornillo de paso	1
10	302040074	Cinturón	1
11	303020471	Tornillo	1
12	303160454	Polea pequeña	1
13	303030077	Contratuerca de brida	8
14	302090173	Rueda trasera	2
15	303100065	Rodamiento plástico	2
16	303180654C	Hacha de rueda delantera	1
17	303020276	Tornillo con arandela hexagonal	4
18	303060115	Tarjeta de eje trasero	4
19	303030032	Contratuerca	8
20	203010666	Funda defensiva de hierba	2
21	203050260	Funda de rueda trasera	2
22	303070698	22" Cubierta (186c rojo)	1
23	303020468	Lavadora	2
24	303160456	SopORTE de descarga lateral	1
25	303130335	Resorte torsional	1
26	303160410A	Eje del pasador de resorte	1
27	203050148	Canal de descarga lateral	1
28	203050147	Deflector de descarga lateral	1
29	303190315	Motor	1
30	303030036	Contratuerca	2
31	303041022	Lavadora	3
32	303042023	Arandela plana	3
33	303020265	Tornillo de arandela hexagonal	3
34	303020332	Tornillo de paso	4
35	303210017C	Placa de unión derecha	1
36	203040018B	Placa de bloqueo	1
37	303010185	Tornillo roscante	1
38	203050154A	Funda de descarga trasera	1
39	203050156A	Placa de bloqueo trasero	1
40	303010164	Tornillo roscante	10
41	203050155	Asa de descarga trasera	1
42	303160460	Resorte de manija de presión	1
43	203010596	Palanca de enlace	1
44	203010597	Funda de manija	1

Item	Stock#	Description	Qty
45	303010095	Tornillo roscante	2
46	303080630	Barra de accionamiento autopropulsada	1
47	303080490	Barra de control de cuchilla	1
48	303080489A	Tubo superior	1
49	303200079A	Cable de control de freno	1
50	303030025	Tuerca de cabeza	2
51	303020308	Perno hexagonal exterior	1
52	303180656A	Cesta de paja	1
53	302120009	Bolsa de paja	1
54	303030065	Tuerca regular	1
55	303160531A	Tire de gancho	1
56	303020282	Perno hexagonal exterior	3
57	302080050A	Caucho	1
58	303071263	Tubo inferior	1
59	203020865A	Nudo	2
60	303030026	Tuerca regular engrosada	2
61	303043010	Lavadora de silla	4
62	303020126	Tornillo de paso	2
63	203040007	Clip de cable	1
64	303020146	Tornillo de paso	2
65	303070702B	Placa de unión izquierda	1
66	203050153	Deflector de descarga lateral	1
67	303160461	Resorte torsional derecho	1
68	302060025	Tapón de goma del cable	1
69	303160464	Resorte torsional izquierdo	1
70	203050447	11.5" Tapa de rueda	2
71	303100002	Rodamiento rígido de bolas	6
72	203070079	Manija de ajuste (186c rojo)	1
73	303210033	Ajuste de soldadura de manija	1
74	303020339	Perno hexagonal exterior	2
75	303180655B	Eje del eje trasero	1
76	203040021A	11.5" Conjunto de rueda autopropulsada	2
77	303050007	Anillo de cierre	4
78	303160471A	Engranaje de accionamiento izquierda	1
79	203010806A	11.5" Funda de rueda	2
80	303123017A	Pasador cilíndrico	2
81	303240335	22" Conjunto de accionamiento	1
82	303160465A	Resorte autopropulsado	1
83	303043061	Arandela plana	2
84	303160470A	Engranaje de accionamiento derecha	1
85	303130126	Resorte de tensión de biela	1
86	303160457C	Palanca de enlace de subir y bajar	1
87	303020248	Perno de cabeza triangular	2
88	203021115	Manguito de eje	2

Vista detallada y listado de piezas del motor



Item	Stock#	Description	Qty
E01-1	11310-Z970110-00A0	CRANKCASE SUBASSEMBLY	1
E01-2	90103-0410-51	BOLT	1
E01-3	12045-Z240110-00A0	Reed valve limit plate	1
E01-4	11321-Z180110-00A0	PIECE, BREATH	1
E01-5	11331-Z180110-00A0	STRAINER, BREATH GROOVE	1
E01-6	11332-Z180110-00A0	GASKET, BREATH GROOVE	1
E01-7	11333-Z180110-00A0	PLATE, BREATH GROOVE COVER	1
E01-8	90007-0612-A1	BOLT	2
E01-9	90682-Z240110-0000	SEAL, OIL	1
E01-10	19340-Z870120-0000	SHIELD, LOWER	1
E01-11	90007-0612-A1	BOLT	1
E02-1	11411-Z870130-00A0	COVER, CRANKCASE	1
E02-2	90007-0620-A1	BOLT	6
E02-3	90007-0655-A1	BOLT	2
E02-4	90502-0818-00	PIN	2
E02-5	15010-Z870210-Q2A0	DIPSTICK SUBASSEMBLY, OIL	1
E02-6	16400-Z870120-0000	GEAR ASSY, GOVERNOR	1
E02-7	16061-Z870120-0000	ARM, GOVERNOR	1
E02-8	90412-Z870210-0000	Flat washer	1
E02-9	90682-Z030210-0000	SEAL, OIL	1
E02-10	90007-0612-A1	BOLT	1
E02-11	90501-Z010110-0000	PIN	1
E02-12	90682-U090110-0000	SEAL, OIL	1
E02-13	16013-Z030120-0000	PLATE, GOVERNOR SPINDLE COMPRESSION	1
E03-1	97002-Z240110-0000	Valve control assembly	2
E03-2	14311-Z870110-0000	ROCKER, VALVE	1
E03-3	14313-Z240110-0000	BOLT, ROCKER SHAFT	2
E03-4	14091-Z870110-00A0	PLATE SUBASSEMBLY, LIFTER STOPPER	1
E03-5	12101-Z810210-0000	GUIDE, SEAL	1
E03-6	12112-Z350110-00A0	SEAT, VALVE SPRING	2
E03-7	12103-Z010110-0000	SPRING, VALVE	2
E03-8	12110-Z870110-00A0	VALVES SET	1
E03-9	14071-Z340110-0000	LIFTER, VALVE	2
E03-10	14081-Z800110-0000	TAPPET, VALVE	2
E03-11	14200-Z870110-00A0	CAMSHAFT ASSY	1
E03-12	90007-0612-A1	BOLT	5
E03-13	12411-Z970110-00A0	COVER, CYLINDER HEAD	1
E03-15	30010-Z180110-00A0	PLUG, SPARK	1
E03-16	14311-Z870210-0000	ROCKER, VALVE	1
E04-1	13200-Z970110-00A0	RING ASSY, PISTON	1
E04-2	13111-Z970110-00A0	PISTON	1
E04-3	13122-Z350110-00A0	CLIP, PISTON PIN	2
E04-4	13121-Z970110-00A0	PIN, PISTON	1
E04-5	13010-Z870110-00A0	ROD, CONNECTING	1
E04-6	13300-Z870810-0000	CRANKSHAFT ASSY	1
E04-7	90408-Z030210-0000	WASHER, FLAT	1
E04-8	90408-Z240210-00A0	WASHER, FLAT	2
E07-1	90305-0600-31	NUT	3
E07-2	28200-Z180130-00D0	STARTER ASSY, RECOIL	1

Item	Stock#	Description	Qty
E08-1	80001-Z870110-Q200	HOUSING, ENGINE	1
E08-2	90107-0516-01	SCREW	2
E08-3	28110-Z870130-0000	SHROUD	1
E08-4	28001-Z870110-0000	STUD	1
E08-5	28001-Z870210-0000	STUD	2
E08-9	90255-0520-51	BOLT	1
E09-2	17001-Z030120-0000	GASKET, AIR CLEANER	1
E09-3	16100-Z970110-00A9	CARBURETOR ASSY	1
E09-4	90204-Z250310-00A0	BOLT	2
E09-5	16001-Z010110-0000	GASKET, CARBURETOR	3
E09-6	16003-Z250210-0000	PLATE, CARBURETOR INSULATOR	2
E09-7	16004-Z870110-0000	GASKET, INSULATOR PLATE	1
E09-8	16004-Z870210-0000	GASKET, INSULATOR PLATE	1
E09-9	16210-Z250120-00A0	VALVE, STARTING RICHED	1
E09-10	90685-0700-01	CLAMP	2
E09-11	16211-Z870110-0000	TUBE, STARTING RICHED VALVE	1
E10-1	13510-Z870110-0000	FLYWHEEL SUBASSEMBLY	1
E10-2	13501-Z010110-0000	NUT, FLYWHEEL	1
E10-3	30400-Z340410-02A0	COIL, IGNITION	1
E10-4	90007-0612-A1	BOLT	2
E10-5	45200-Z970110-00A0	BRAKE ASSY	1
E10-6	90007-0625-A1	BOLT	1
E11-1	16062-Z870110-0000	ROD, GOVERNEOR	1
E11-2	16012-Z870110-0000	SPRING, THROTTLE VALVE RETURNING	1
E11-3	16070-Z870110-0000	SUPPORT SUBASSEMBLY, GOVERNOR	1
E11-4	90305-0600-31	NUT	1
E11-5	16072-Z010110-0000	BOLT, GOVERNOR SUPPORT	1
E11-6	16063-Z870110-0000	SPRING, GOVERNOR	1
E11-7	90007-0612-A1	BOLT	1
E11-8	16561-Z240110-00A0	PLATE SUBASSEMBLY, THROTTLE CONTROL BOTTOM	1
E11-9	90684-Z250110-00A0	CLIP	1
E11-10	90007-0620-A1	BOLT	1
F01-1	17004-Z870110-0000	TUBE, BREATHER	1
F01-2	17100-Z870110-0000	CLEANER, AIR	1
F01-3	90305-0600-31	NUT	2
F02-1	18130-Z870110-00A0	COVER, MUFFLER OUTER	1
F02-2	18100-Z870110-00A0	MUFFLER ASSY	1
F02-3	18001-Z870110-00A0	GASKET, EXHAUST OUTLET	1
F02-4	90310-0600-31	NUT	2
F02-5	90207-Z970110-0000	BOLT	2
F03-1	16730-Z620210-LK00	COVER, FUEL TANK	1
F03-2	16620-Z870110-Q299	TANK, FUEL	1
F03-3	90007-0625-A1	BOLT	1
F03-4	16652-Z030110-00A0	STRAINER, FUEL	1
F03-5	90685-1000-01	CLAMP	1
F03-6	90686-Z870110-0000	TUBE, FUEL	1
F03-7	90685-0700-01	CLAMP	1
F03-8	16744-Z620120-0000	CHAIN PROOF OFF, FUEL TANK COVER	1

TRES (3) AÑOS DE GARANTÍA LIMITADA

PowerSmart se compromete a construir equipos que brinden años de servicio confiable. Nuestras garantías son consistentes con nuestro compromiso y dedicación a la calidad.

GARANTÍA LIMITADA DE TRES (3) AÑOS DE PRODUCTOS POWER SMART PARA USO DOMÉSTICO.

PowerSmart ("Vendedor") garantiza únicamente al comprador original que todas las herramientas eléctricas de consumo PowerSmart estarán libres de defectos en materiales o mano de obra por un período de tres (3) años a partir de la fecha de compra. Si se utilizan las herramientas Al proporcionar servicios profesionales o comerciales, la cobertura de la garantía será por un máximo de (90) días.

LA ÚNICA OBLIGACIÓN DEL VENDEDOR Y SU RECURSO EXCLUSIVO bajo esta Garantía limitada de tres (3) años y, en la medida permitida por la ley, cualquier garantía o condición implícita por la ley, será la reparación o el reemplazo de piezas, sin cargo, que sean defectuosos en el material o mano de obra y que no hayan sido mal utilizados, manejados descuidadamente o reparados incorrectamente, por personas que no sean un Vendedor autorizado o Centro de servicio.

Tenga en cuenta que las piezas de desgaste normal no estén cubiertas por esta garantía. Esto incluye correas de transmisión, cuchillas y bolsas de recolección de hierba. Los problemas del carburador y / u otros daños que se encuentren como resultado de combustible rancio, contaminado o comprometido, no están cubiertos por esta garantía limitada.

Para hacer un reclamo bajo esta Garantía limitada, debe devolver el producto completo de la herramienta eléctrica; transporte prepago, a PowerSmart. El propietario debe incluir una copia legible del recibo original, que deberá incluir la fecha de compra, junto con el nombre de la compañía donde se compró el producto.

ESTA GARANTÍA LIMITADA NO SE APLICA A NINGÚN ARTÍCULO ACCESORIO INCLUIDO CON LA HERRAMIENTA, COMO LAS HOJAS DE SIERRA CIRCULAR, OTROS ARTÍCULOS RELACIONADOS O CUALQUIER PIEZA DE REPUESTO LISTA BAJO MANTENIMIENTO.

CUALQUIER GARANTÍA IMPLÍCITA SERÁ LIMITADA EN DURACIÓN A TRES (3) AÑOS DESDE LA FECHA DE COMPRA. ALGUNOS ESTADOS DE LOS ESTADOS UNIDOS Y ALGUNAS PROVINCIAS CANADIENSES NO PERMITEN LIMITACIONES DE LA DURACIÓN DE UNA GARANTÍA IMPLÍCITA, POR LO QUE LA LIMITACIÓN ANTERIOR PUEDE NO APLICARSE EN SU CASO.

EN NINGÚN CASO EL VENDEDOR SERÁ RESPONSABLE POR DAÑOS INCIDENTALES O CONSECUENTES (INCLUIDOS, PERO SIN LIMITARSE A LA RESPONSABILIDAD POR LA PÉRDIDA DE BENEFICIOS) DERIVADOS DE LA VENTA O USO DE ESTE PRODUCTO. ALGUNOS ESTADOS DE LOS ESTADOS UNIDOS Y ALGUNAS PROVINCIAS CANADIENSES NO PERMITEN LA EXCLUSIÓN O LIMITACIÓN DE DAÑOS INCIDENTALES O CONSECUENTES, POR LO QUE LA LIMITACIÓN O EXCLUSIÓN ANTERIOR PUEDE NO APLICARSE EN SU CASO..

ESTA GARANTÍA LIMITADA LE OTORGA DERECHOS LEGALES ESPECÍFICOS, Y TAMBIÉN PUEDE TENER OTROS DERECHOS QUE VARÍAN DE ESTADO A ESTADO EN LOS ESTADOS UNIDOS, DE PROVINCIA A PROVINCIA EN CANADÁ, Y DE PAÍS EN PAÍS.

Llame gratuita al: 1-800-791-9458 (lunes a viernes de 9 a.m. a 5 p.m. Horario estándar del este)

Correo electrónico: support@amerisuninc.com

GUARDE TODOS SUS RECIBOS ORIGINALES. ESTA GARANTÍA ES NULA SIN ELLOS.