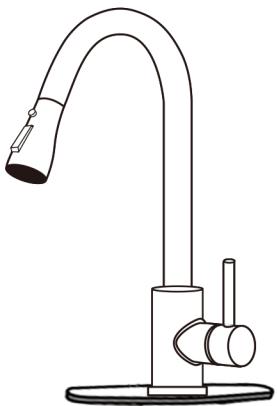


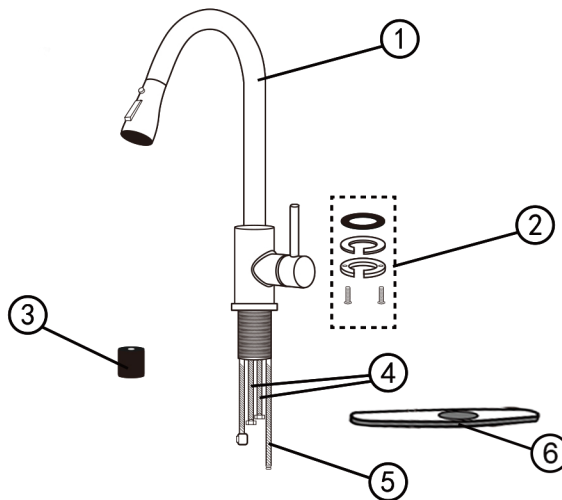
RuiLing

Single Handle Pull Down Kitchen Faucet Installation



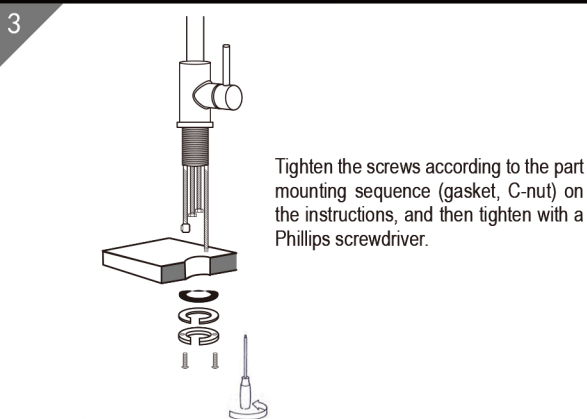
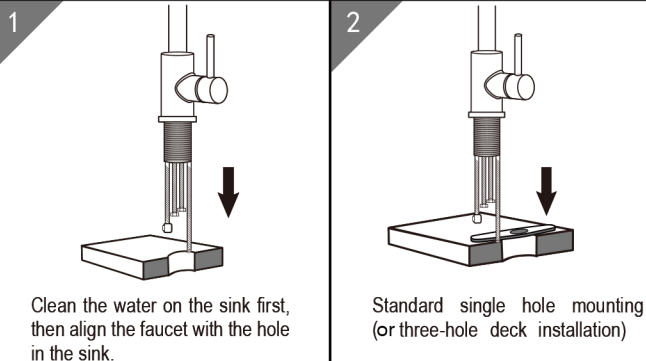
Thank you for purchase

One. The list of accessories

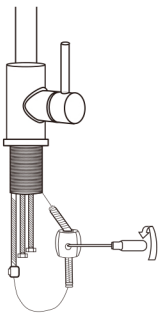


number	name	Quantity
1	faucet	1
2	Fixing components	1
3	Gravity ball	1
4	Inlet pipe(red and blue)	2
5	Pulling water pipe (quick connection)	1
6	Mounting deck	1

Two. installation steps

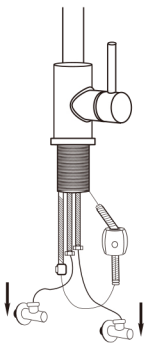


4



After confirming that the faucet is installed securely, install the gravity ball (picture position) at the appropriate position of the pull tube. First loosen the gravity ball with a screwdriver, clamp the pull tube and tighten with screws.

5



Connecting the two inlet pipes (red is hot water, blue is cold water) to the angle valve is complete. Remember to check the installation steps again.

Three.Instructions for use and precautions

1. Open the package, please check the product accessories. If there is any shortage, please contact us in time.
2. Gradually move the handle to protect the spool.
3. The gooseneck-like faucet body can be rotated 360 degrees, elegant and smooth, and can not be used violently.
4. The shower head can be used for extraction, which is convenient for long-distance washing. The well can be used to realize the bubbler water output through the switch button on the shower head. 3 Water Flow Setting work: Stream Mode - Perfect for Filling Pots and Pans; Spray Mode: Perfect for Wide Superior Cleaning; Pause Mode - Two Way Use for Reference.
5. When installing the hot and cold water pipes, be careful, if the connection is wrong, the red and blue water pipes will be replaced in the order.

Four.Maintenance use

To keep the faucet surface bright and light, please clean the faucet regularly or regularly.

- The material of the product is 304 stainless steel. It is often cleaned with water and softened with a soft cotton cloth.
- Do not use granular detergents such as decontamination powder or nylon crepe to avoid lumping products;
- Because the acidic detergent can erode the surface layer, it should not be used. If the ceramic tile is washed with an acidic detergent, the tiles and utensils should be washed thoroughly to prevent the detergent from washing onto the surface of the faucet and eroding the surface of the faucet.



Five.After-sales service and guarantee

Warranty: The company's faucet valve core is guaranteed for five years, the rest of the parts are guaranteed for one year, the quality problem is damaged, and the new one is free. The same type of faucet is installed in a similar way and is for reference only. If you still don't understand the installation technical problems, or other problems, please contact our customer service, we can help you, provide you with installation video explanation, you can contact us through the mailbox.

E-mail address: aibikaservice@gmail.com