




shown in Gloss White  
with Walnut blades



shown in Gloss White  
with Gloss White blades

WET LOCATION



# Eliza

*Geometry in Motion*

Designed in 2014

Designed by Chicago architect Stephen Katz in 2013, the wet location Eliza blends a beautiful technically derived form with superior function and movement. The unique blade shape is designed to maximize air movement at the outer edge of the blade. The result is more efficient air velocity rings, less blade drag and greater motor optimization. Equally important is Eliza's stationary visual statement which combines modern utility with minimalist geometry. Constructed of cast aluminum and heavy stamped steel, the Eliza has a limited lifetime warranty.

## Blade Options

Brushed  
Nickel

Gloss  
White

Barn  
Wood

Gray  
Ash


Walnut



shown in Brushed Nickel with  
Brushed Nickel blades



shown in Brushed Nickel  
with Gray Ash blades





shown in Gloss White  
with Barn Wood blades

## SKU NAMING CONVENTION

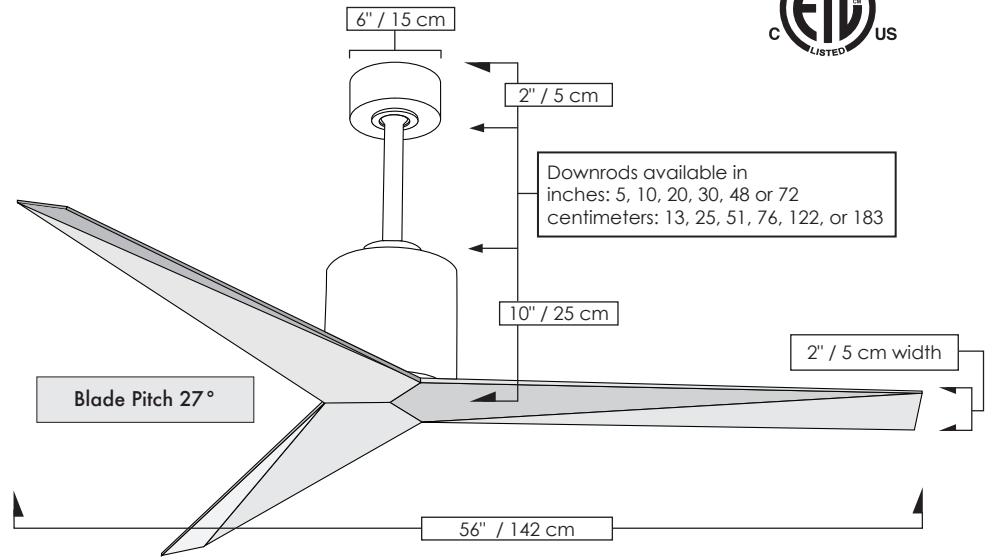
SKU#	<b>EK-XX-XXX</b> (Model+Finish+Blade Finish)
Finishes	Brushed Nickel - <b>BN</b> Gloss White - <b>WH</b>
Blade Finishes	Brushed Nickel - <b>BN</b> Gloss White - <b>WH</b> Barn Wood - <b>BW</b> Gray Ash - <b>GA</b> Walnut - <b>WN</b>

## STANDARD EQUIPMENT

One downrod of 10 inches / 13 cm	
Vaulted ceiling canopy for up to 30°	
6-speed RF remote control with reverse function in black	Wireless Decora-style, 6-speed, wall control in white
	

# Eliza

## TECHNICAL SPECIFICATIONS



## CEILING HEIGHT / DOWNROD TABLE

Ceiling Height	Downrod Lengths <i>Field cuttable. Non-threaded</i>
10 ft or less	5 inches / 13 cm
10 -12 feet	10 inches / 25 cm
13 feet	20 inches / 51 cm
14 feet	30 inches / 76 cm
15 feet	48 inches / 122 cm
16 feet +	72 inches / 183 cm

## CEILING PITCH TABLE

0/12	0 degrees
1/12	4.76 degrees
2/12	9.46 degrees
3/12	14.04 degrees
4/12	18.43 degrees
5/12	22.62 degrees
6/12	26.57 degrees
7/12	30.26 degrees
8/12	33.69 degrees
9/12	36.87 degrees
10/12	39.81 degrees
11/12	42.51 degrees

## FAN SPECIFICATIONS

Fan Diameter	56 inches / 142 cm
Overall Drop	12 inches / 30 cm + downrod length
Fan Weight	17 lbs
Voltage	110 or 220
Motor Type	DC
Downrods Lengths <i>Field cuttable. Non-threaded</i>	inches: 5, 10, 20, 30, 48, 72 centimeters: 13, 25, 51, 76, 122, 183
Downrod Diameter	1 inch
Remote Control	Hand-held, wall-mountable, 6-speed with reverse
Wall Control	Decora-style, 6-speed wall control: DC-WC
Environment	Wet locations for all finishes Neither coastal, saltwater nor chlorine compatible
Ambience	Silent
Safety Certification	ETL / CETL
Warranty	Limited Lifetime

## MOTOR EFFICIENCY DATA AT HIGH SPEEDS

RPM	167
CFM	5674.39
Watts	31.03
CFM/Watt	182.87
Blade Pitch	27°

### Matthews Fan Company

1881 Industrial Drive  
Libertyville, IL 60048  
Tele: 847.680.9043  
Fax: 847.680.8140

www.matthewsfanco.com

© 2017 Matthews Fan Company. All rights reserved.

