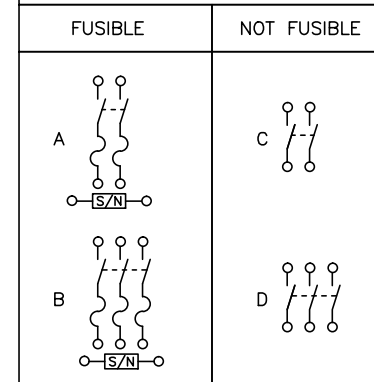


NEMA TYPE 3R
ILLUSTRATED

WIRING DIAGRAMS



TERMINAL LUGS ‡			
AMPERES	MAX. WIRE #	MIN. WIRE #	TYPE
30	# 6 AWG	# 12 AWG	AL
	# 6 AWG	# 14 AWG	CU

KNOCKOUTS				
SYMBOL	A	B	C	D
CONDUIT SIZE	.50	.75	1	1.25

DUAL DIMENSIONS: INCHES
MILLIMETERS

CATALOG NUMBER	VOTAGE RATINGS	WIRING DIAG.	HORSEPOWER RATINGS					
			120VAC		240VAC			
			STD.	MAX.	STD.		MAX.	
				1 Ø	3 Ø	1 Ø	3 Ø	
D211NRB●■	240VAC	A	1/2	2	1 1/2	-	3	-
D221NRB	240VAC	A	-	-	1 1/2	3*	3	7 1/2*
D321NRB	240VAC	B	-	-	1 1/2	3	3	7 1/2
DU221RB	240VAC	C	-	-	-	-	3	-
DU321RB	240VAC	D	-	-	-	-	3	7 1/2

NOTES:
 FINISH - GRAY BAKED ENAMEL ELECTRODEPOSITED OVER CLEANED PHOSPHATIZED STEEL.
 UL LISTED - FILE E-2875
 ALL NEUTRALS - INSULATED GROUNDABLE
 SUITABLE FOR USE AS SERVICE EQUIPMENT
 TOP OF NEMA TYPE 3R SWITCHES HAVE PROVISIONS FOR MAXIMUM 2 1/2" BOLT-ON HUB.
 SHORT CIRCUIT CURRENT RATINGS:
 ● 10,000 AMPERES.
 ○ 10,000 AMPERES WHEN USED WITH OR PROTECTED BY CLASS H OR K FUSES.
 ■ 100,000 AMPERES WITH CLASS R FUSES.
 * FOR CORNER GROUNDED DELTA SYSTEMS.
 ■ PLUG FUSES
 ‡ LUGS SUITABLE FOR 60°C OR 75° CONDUCTORS.

GENERAL DUTY SAFETY SWITCHES
 VISIBLE BLADE TYPE
 30 AMPERE
 ENCLOSURE - NEMA TYPE 3R RAINPROOF



DWG# 1852
NO.