

# Genesis

GMS1015LC

## 10" Compound Miter Saw

Scie à onglets composés de 254 mm (10 po.)

Sierra ingleteadora compuesta de 254 mm (10 pulg.)

Operator's Manual

Manuel d'utilisation

Manual del Operario



TOLL FREE

HELP LINE:

**888-552-8665**

WEBSITE:

[www.genesispowertools.com](http://www.genesispowertools.com)

# 10" COMPOUND MITER SAW

## Operator's Manual

### SPECIFICATIONS

- Model#:----- GMS1015LC
- Rated Power:----- 120V~/ 60HZ, 15 Amp
- No Load Speed:----- 4,600 RPM
- Blade Size: ----- 10" (254mm)
- Arbor Size: ----- 5/8"
- Bevel: ----- 45° Left
- Miter: ----- 45° Left and Right
- Max Cutting Capacity at 0° x 90°:----- 3" H x 4-3/4" W
- Max Cutting Capacity at 45°x90°: ----- 3" H x 3-5/16" W
- Max Cutting Capacity at 0°x 45°: ----- 1-3/8" H x 4-3/4" W
- Max Cutting Capacity at 45°x45°: ----- 1-3/8" H x 3-5/16" W
- Net Weight: ----- 24 Lbs
- Laser: -- Class II Laser, Wave Length: 650 nm, Max Output <1.0 mw

Includes: Saw, 60T Carbide Tipped Blade, Hold Down Clamp, Dust Bag, 2-Extension Wings, 2-AAA Batteries for Laser and Wrench

**⚠ WARNING:** To reduce the risk of injury, user must read and understand this operator's manual before operating this tool. Save this Manual for future reference.

**Toll-Free Help Line: 1-888-552-8665**



**⚠ WARNING:** The Operation of any power tool can result in foreign objects being thrown into your eyes, which can result in severe eye damage. Before beginning tool operation, always wear safety goggles or safety glasses with side shields and a full face shield when needed. We recommend Wide Vision Safety Mask for use over eyeglasses or standard safety glasses with side shields. Always wear eye protection which is marked to comply with ANSI Z87.1.



**Look for this symbol to point out important safety precautions. It means attention!!! Your safety is involved.**

### GENERAL SAFETY RULES

**⚠ WARNING:** Some dust created by power sanding, sawing, grinding, drilling, and other construction activities contains chemicals known to cause cancer, birth defects or other reproductive harm. Some examples of these chemicals are:

- Lead from lead-based paints,
- Crystalline silica from bricks and cement and other masonry products, and
- Arsenic and chromium from chemically treated lumber.

Your risk from these exposures varies, depending on how often you do this type of work. To reduce your exposure to these chemicals: work in a well ventilated area, and work with approved safety equipment, such as those dust masks that are specially designed to filter out microscopic particles.

**⚠ WARNING:** Read and understand all warnings, cautions and operating instructions before using this equipment. Failure to follow all instructions listed below may result in electric shock, fire and/or serious personal injury.

## SAVE THESE INSTRUCTIONS

### WORK AREA SAFETY

- **Keep your work area clean and well lit.** Cluttered benches and dark areas invite accidents.
- **Do not operate power tools in explosive atmospheres,** such as in the presence of flammable liquids, gases, or dust. Power tools create sparks which may ignite the dust or fumes.
- **Keep bystanders, children, and visitors away while operating a power tool.** Distractions can cause you to lose control.

### ELECTRICAL SAFETY

- **Power tool plugs must match the outlet.** Never modify the plug in any way. Do not use any adaptor plugs in any earthed (grounded) power tools. Double insulated tools are equipped with a polarized plug (one blade is wider than the other). This plug will fit in a polarized outlet only one way. If the plug does not fit fully in the outlet, reverse the plug. If it still does not fit, contact a qualified electrician to install a polarized outlet. Do not change the plug in any way. Double insulation eliminates the need for the three wire grounded power cord and grounded power supply system.
- **Do not expose power tools to rain or wet conditions.** Water entering a power tool will increase the risk of electric shock.
- **Avoid body contact with earthed or grounded surfaces such as pipes, radiators, ranges and refrigerators.** There is an increased risk of electric shock if your body is grounded.
- **Do not abuse the cord.** Never use the cord for carrying, pulling or unplugging the power tool. Keep cord away from heat, oil, sharp edges or moving parts. Damaged cords increase the risk of electric shock.
- **When operating a power tool outside, use an extension cord suitable for outdoor use.** These cords are rated for outdoor use and reduce the risk of electric shock.
- **Do not use AC only rated tools with a DC power supply.** While the tool may appear to work. The electrical components of the AC rated tool are likely to fail and rate a hazard to the operator.

### PERSONAL SAFETY

- **Stay alert,** watch what you are doing and use common sense when operating a power tool. Do not use tool while tired or under the influence of drugs, alcohol, or medication. A moment of inattention while operating power tools may result in serious personal injury.
- **Use safety equipment.** Always wear eye protection. Safety equipment such as dust mask, non-skid safety shoes, hard hat, or hearing protection for appropriate conditions will reduce personal injuries.
- **Dress properly.** Do not wear loose clothing or jewelry. Keep your hair, clothing and gloves away from moving parts. Loose clothes, jewelry or long hair can be caught in moving parts. Air vents may cover moving parts and should be avoided.
- **Avoid accidental starting.** Ensure the switch is in the off position before plugging in. Carrying power tool with your finger on the switch or plugging in power tools that have the switch on invites accidents.
- **Remove any adjusting keys or wrenches before turning the power tool on.** A wrench or key that is left attached to a rotating part of the tool may result in personal injury.
- **Do not overreach.** Maintain proper footing and balance at all times. Loss of balance can cause an injury in an unexpected situation.
- **If devices are provided for connection of dust extraction and collection facilities, ensure these are connected and properly used.** Use of these devices can reduce dust related hazards.
- **Do not use a ladder or unstable support.** Stable footing on a solid surface enables better control of the tool in unexpected situations.

- **Keep tool handles dry, clean and free from oil and grease.** Slippery handles cannot safely control the tool.

## TOOL USE AND CARE

- **Secure the work piece.** Use clamp or other practical way to hold the work piece to a stable platform. Holding the work piece by hand or against your body is unstable and may lead to loss of control.
- **Do not force the power tool.** The tool will perform the job better and safer at the feed rate for which it is designed. Forcing the tool could possibly damage the tool and may result in personal injury.
- **Use the correct power tool for the job.** Don't force the tool or attachment to do a job for which it is not designed.
- **Do not use tool if switch does not turn it on or off.** Any tool that cannot be controlled with the switch is dangerous and must be repaired or replaced by an authorized service center.
- **Turn power tool off, and disconnect the plug** from the power source and/or battery pack from the power tool before making any adjustments, changing the accessories, or storing the tools. Such preventive safety measures reduce the risk of an accidental start up which may cause personal injury.
- **Store idle tool out of reach of children and other inexperienced persons.** It is dangerous in the hand of untrained users.
- **Maintain power tools with care.** Check for proper alignment and binding of moving parts, component breaks, and any other conditions that may affect the tool's operation. A guard or any other part that is damaged must be properly repaired or replaced by an authorized service center to avoid risk of personal injury.
- **Use recommended accessories.** Using accessories and attachments not recommended by the manufacturer or intended for use on this type tool may cause damage to the tool or result in personal injury to the user. Consult the operator's manual for recommended accessories.
- **Keep cutting tools sharp and clean.** Properly maintained cutting tools with sharp cutting edges are less likely to bind and are easier to control.
- **Feed the work piece in the correct direction and speed.** Feed the work piece into a blade, cutter, or abrasive surface against the direction of the cutting tool's direction of rotation only. Incorrectly feeding the work piece in the same direction may cause the work piece to be thrown out at high speed.
- **Never leave the tool running unattended, turn the power off.** Do not leave the tool until it comes to a complete stop.
- **Never start the power tool when any rotating component is in contact with the work piece.**

**⚠ WARNING:** USE OF THIS TOOL CAN GENERATE AND DISBURSE DUST OR OTHER AIRBORNE PARTICLES, INCLUDING WOOD DUST, CRYSTALLINE SILICA DUST AND ASBESTOS. Direct particles away from face and body. Always operate tool in a well-ventilated area and provide for proper dust removal. Use dust collection system wherever possible. Exposure to the dust may cause serious and permanent respiratory or other injury, including silicosis (a serious lung disease), cancer, and death. Avoid breathing the dust, and avoid prolonged contact with the dust. Allowing dust to get into your mouth or eyes, or lay on your skin may promote absorption of harmful material. Always use properly fitting NIOSH/OSHA approved respiratory protection appropriate for dust exposure, and wash exposed areas with soap and water.

## SERVICE

- **Have your power tool Serviced by a qualified repair person using only identical replacement parts.** This will ensure that the safety of the power tool is maintained.
- **Service your power tool periodically.** When cleaning a tool, be careful not to disassemble any portion of the tool since internal wires may be misplaced or pinched.

## SAVE THESE INSTRUCTIONS



## EXTENSION CORDS

**Grounded tools require a three wire extension cord.** Double insulated tools can use either a two or three wire extension cord. As the distance from the power supply outlet increases, you must use a heavier gauge extension cord. Using extension cords with inadequately sized wire causes a serious drop in voltage, resulting in loss of power and possible tool damage. Refer to the table shown below to determine the required minimum wire size.

The smaller the gauge number of the wire, the greater the capacity of the cord. For example: a 14-gauge cord can carry a higher current than a 16-gauge cord. When using more than one extension cord to make up the total length, be sure each cord contains at least the minimum wire size required. If you are using one extension cord for more than one tool, add the nameplate amperes and use the sum to determine the required minimum wire size.

### Guidelines for Using Extension Cords

- If you are using an extension cord outdoors, be sure it is marked with the suffix “W-A” (“W” in Canada) to indicate that it is acceptable for outdoor use.
- Be sure your extension cord is properly wired and in good electrical condition. Always replace a damaged extension cord or have it repaired by a qualified person before using it.
- Protect your extension cords from sharp objects, excessive heat, and damp or wet areas.

Recommended Minimum Wire Gauge for Extension Cords (120 Volt)						
Nameplate Amperes (At Full Load)	Extension Cord Length					
	25 Feet	50 Feet	75 Feet	100 Feet	150 Feet	200 Feet
0–2.0	18	18	18	18	16	16
2.1–3.4	18	18	18	16	14	14
3.5–5.0	18	18	16	14	12	12
5.1–7.0	18	16	14	12	12	10
7.1–12.0	18	14	12	10	8	8
12.1–16.0	14	12	10	10	8	6
16.1–20.0	12	10	8	8	6	6

## SPECIFIC SAFETY RULES FOR MITER SAWS

**⚠ WARNING: DO NOT LET COMFORT OR FAMILIARITY WITH PRODUCT (GAINED FROM REPEATED USE) REPLACE STRICT ADHERENCE TO PRODUCT SAFETY RULES. If you use this tool unsafely or incorrectly, you can suffer serious personal injury!**

- **Do not operate this miter saw** until it is assembled and installed according to the instructions.
- **If you are not thoroughly familiar with the operation of miter saws**, seek guidance from your supervisor, instructor, or other qualified person.
- **Mount the tool securely to a stable supporting surface prior to operation.** Ideally, firmly clamp or bolt your miter saw to a workbench, table, or tool stand at approximately hip height.
- **Use the guards whenever possible.** Check that the guards are correctly positioned, secured, and working properly.
- **Use only crosscut saw blades.** Use only zero-degree or negative hook angles when using carbide tipped blades. **IMPORTANT:** Do not use thin kerf blades or blades with deep gullets. These can easily deflect and contact the guard or miter saw table.
- **Use only blades that are the correct size and type specified for this tool.**
- **Be sure to use a sharp blade** that runs freely and is free of vibration.
- **Inspect blades for cracks or other damage** prior to operation. Replace a cracked or damaged blade immediately.
- **Clean the blade and blade flange washers** prior to operation. Again, check for any damage and tighten the arbor nut securely.
- **Use only the blade flanges specified for this tool.**
- **Keep your hands out of the path of the saw blade.** If the work piece being cut causes your hands to be within 7-1/4” of the saw blade, the work piece should be clamped in place before making the cut.

- **Keep the motor air slots clean and free of chips**, dust, or other obstructions which may impair the flow of cooling air to the motor.
- **Make sure all the saw's adjustment handles are tight** before cutting, even if the table is positioned in one of positive stops. Do not forget to tighten the rear mounted bevel adjustment handle.
- **Never apply lubricants** to the blade when it is running.
- **Never use saw blades** rated for operation at less than 5,000 RPM.
- **Never start the tool** with the work piece against the blade.
- **Allow the motor to attain full speed** prior to starting the cut.
- **Always keep the blade guards in place** and use at all times.
- **Never reach around** or behind the saw blade.
- **Never lock the switch** in the "on" position.
- **Never attempt to recut small pieces.**
- **Never cut ferrous metals or masonry.** This miter saw is designed to cut wood and wood-like products.
- **Do not perform free-hand cutting operations.** Hold the work firmly against the fence and table. Use clamps to hold the work when possible.
- **Long or wide work pieces should be properly supported.**
- **IMPORTANT: After completing the cut**, release the power switch and allow the blade to come to a complete stop before returning the saw to a raised position.
- **Turn off the saw and allow the blade to completely stop** before cleaning the blade area or removing debris and off-cuts in the path of the blade. Coasting blades are dangerous.
- **Turn off the saw and allow the blade to completely stop** before removing or un-securing the work piece, changing the work piece angle, or changing the angle of the blade.
- **Never perform layout**, assembly or set-up work on the saw table or work area while the machine is running.
- **Turn the machine "off" and disconnect the machine** from the power source before installing or removing accessories, before adjusting or changing set-ups, or when making repairs.
- **Disconnect the machine** from the power source and clean the work area before leaving the machine.
- **If any part of your miter saw is missing, damaged, or fails in any way**, or any electrical component fails to perform properly, shut off the switch and remove the plug from the power source. Replace missing, damaged, or failed parts before resuming operation.

**⚠ WARNING:** Read and understand all warnings, cautions and operating instructions before using this equipment. Failure to follow all instructions listed below may result in electric shock, fire and/or serious personal injury.

**SAVE THESE INSTRUCTIONS**

## **GLOSSARY OF WOODWORKING TERMS**

**Workpiece**-- A piece of wood on which the cutting operation is being performed.

**Anti-Kickback Pawls**-- Device which, when properly installed and maintained, is designed to stop the work piece from being kicked back toward the operator during the operation.

**Arbor**-- The shaft on which a cutting tool is mounted.

**Bevel Cut**-- A cutting operation made with an angled blade.

**Compound Miter Cut** -- A single cut made with both a miter angle and a bevel angle.

**Cross Cut** -- A cut or shaping operation made across the work piece.

**Dado** -- A non-through cut which produces a square sided notch or trough in the work piece.

**Feather board** -- A device used to help control the work piece by guiding it securely against the table or fence during any rip cut operation.

**Freehand** -- Performing a cut without using a fence, miter gauge, fixture, hold down clamp, or other proper device to keep the work piece from twisting during the cut – not recommended.

**Gum** -- A sticky, sap-based residue from wood products.

**Heel** -- Misalignment of the blade. Heel can cause binding, kickback, excessive force burning the work piece or splintering

**Kerf** -- The amount of material removed by the blade in a through cut, or the slot produced by the blade in non-through or partial cut.

**Kickback** -- An uncontrolled grabbing or throwing of the work piece back toward the front of the saw, associated with the work piece closing the kerf and pinching the blade or otherwise placing tension on the blade.

**Leading End** -- The end of the work piece, which during a rip type operation is pushed into the cutting tool first.

**Miter Cut** -- A cutting operation made with the wood at any angle other than 90 degree to the blade.

**Molding** -- A cut which produces a special shape in the work piece, used for joining or decoration.

**Non-Through Cut** -- Any cutting operation where the blade does not extend completely through the thickness of the work piece

**Push Block** -- A device used to feed the work piece through the saw during narrow rip type operations where a push stick can not be used. It also helps keep the operator's hands well away from the blade.

**Push Stick** -- A device used to feed the work piece through the saw to help keep the operator's hands well away from the blade.

**Rabbet** -- A notch in the edge of the work piece.

**Resin** -- A sticky, sap-based substance that has hardened.

**Rip Cut** -- A cutting or shaping operation made along the length of the work piece.

**Rip Fence** -- Adjustable guide used in ripping cuts to keep the work piece parallel to the saw blade.

**RPM** -- Revolutions per Minute. The number of turns completed by a spinning object in one minute

**Saw Blade Path** -- The area over, under, behind, or in front of the blade. As it applies to the work piece, that area which will be, or has been, cut by the blade.

# KNOWING YOUR MITER SAW

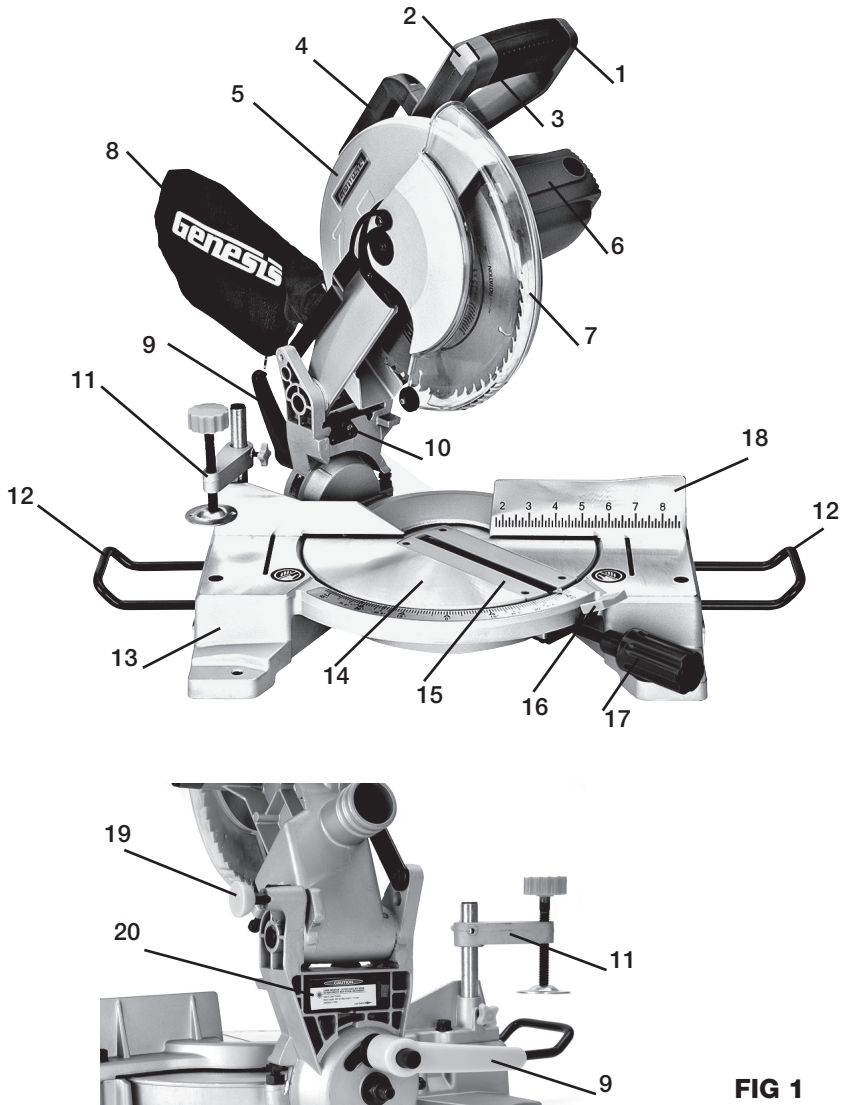


FIG 1

- |                      |                          |                               |
|----------------------|--------------------------|-------------------------------|
| 1. Handle            | 8. Dust Bag              | 15. Throat Plate              |
| 2. Lock-Off Switch   | 9. Bevel Lock Handle     | 16. Detent Lever              |
| 3. Trigger Switch    | 10. Laser                | 17. Miter Lock Handle         |
| 4. Carrying Handle   | 11. Hold Down Work Clamp | 18. Fence                     |
| 5. Upper Blade Guard | 12. Table Extension      | 19. Saw Head Lock Knob        |
| 6. Motor             | 13. Base                 | 20. Laser Battery Compartment |
| 7. Lower Blade Guard | 14. Miter Table          |                               |

## UNPACKING AND CONTENTS

**IMPORTANT:** Due to modern mass production techniques, it is unlikely the tool is faulty or that a part is missing. If you find anything wrong, do not operate the tool until the parts have been replaced or the fault has been rectified. Failure to do so could result in serious personal injury.

### CONTENTS IN PACKAGE

Description	Q'ty	Description	Q'ty
Saw Assembly	1	Wrench	1
Dust Bag	1	AAA Batteries	2
Table Extensions	2	Operator's Manual	1
Hold Down Clamp	1		

### UNPACKING

1. Remove all loose parts from the carton.
2. Remove the packing materials from around the saw.
3. Using the carrying handle (4-Fig1) carefully lift the saw from the carton and place it on a level work surface.
4. The saw has been shipped with the saw head locked in the down position. To release the saw head push down on the top of the saw head, pull on the lock knob (19-Fig1), rotate it a quarter turn and let go, slowly raise the saw head.

## ASSEMBLY AND ADJUSTMENTS

**⚠ WARNING:** DO NOT connect your compound miter saw to the power source until the machine is completely assembled, all necessary adjustments made, and you have read and understand the entire operator's manual.

**⚠ WARNING:** Be sure that the tool is switched off and unplugged from the power source before performing any work on the tool. Failure to unplug the saw may result in accidental start-up, causing possible serious personal injury.

Your saw comes from the factory fully adjusted and requires only minor assembly to prepare the miter saw for operation.

### MOUNTING THE SAW

**⚠ WARNING:** Always make sure the miter saw is securely mounted to a workbench or an approved miter stand. Failure to heed this warning can result in serious personal injury.

The compound miter saw should be permanently mounted to a firm supporting surface such as workbench. Four bolt holes have been provided in the saw base for this purpose. Each of the four mounting holes should be bolted securely using 3/8 in. machine bolts, lock washers and hex nuts (not included). After securely mounting the saw, carefully check the workbench to make sure that no movement can occur during use. If any tipping, sliding, or walking is noted, secure the workbench to the floor before operation.

### MITER LOCK HANDLE (FIG 2)

To install the Miter Lock Handle (17), simply screw the threaded end of Miter Lock Handle into the threaded hole under the table. Turn clockwise to tighten.

### DUST PORT & DUST BAG (FIG 3)

The saw has a 1-1/2" sawdust port (1) at the rear of upper blade guard. A dust collection system can be attached to this port to help remove sawdust from the work area.

A dust bag (2) is provided for use with your miter saw. It can be installed over the sawdust port. Squeeze the two metal clips to open the mouth of the bag and slide onto the sawdust port.

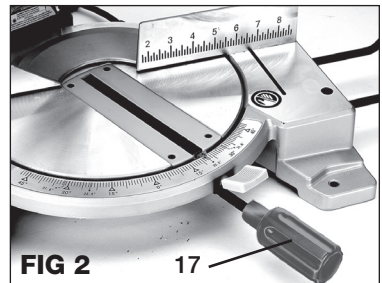


FIG 2

17

Release pressure on the clips and the metal ring at the bag's opening should lock in the grooves of the sawdust port. To remove the dust bag for emptying, simply reverse the above procedure.

The dust bag should be checked often and if more than half full, remove the bag by simply reversing the installation procedure. Dispose of the accumulated saw dust in the dust bag and then reinstall the dust bag before resuming operation of the miter saw.

### TABLE EXTENSIONS (FIG 4)

Your saw comes with two table extensions (1). They can be installed in either the left or the right side of the saw base.

#### To Install the Table Extensions

1. Loosen the extension lock screw (2) by using a Phillips screwdriver.
2. Insert the ends of the table extension into the holes (3) in the side of the base and adjust the extension to the desired length.
3. Secure the extension by tightening the extension lock screw (2).

### WORK CLAMP ASSEMBLY (FIG 5)

**⚠ WARNING:** In some operations, the work clamp assembly may interfere with the operation of the blade guard assembly. Always make sure there is no interference with the blade guard prior to beginning any cutting operation to reduce the risk of serious personal injury.

This miter saw is equipped with a Hold down Work Clamp (1). The work clamp can be positioned in the provided mounting holes in the base behind the miter fence to the right and left of the cutting head. Insert the clamp column (3) into the mounting hole (2). Secure it by tightening the lock screw (6). Use the clamp lock knob (4) to quickly secure the clamp in position. Use the clamp tightening screw (5) to secure workpiece against the miter table as needed, especially small workpiece.

The work clamp provides greater control by clamping the work piece to the fence or the saw table. It also prevents the workpiece from creeping toward the saw blade. This is very helpful when cutting compound miters.

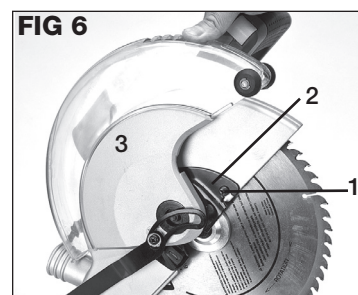
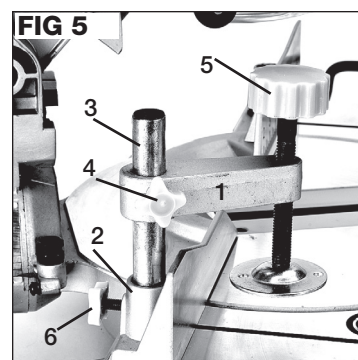
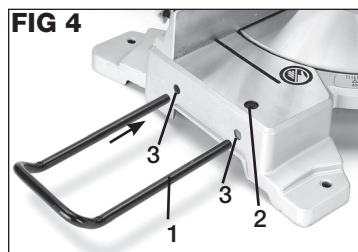
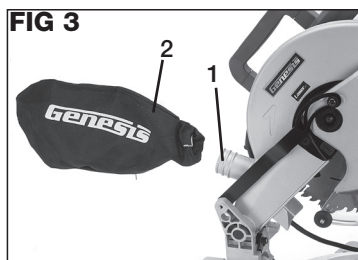
**NOTE:** Depending on the cutting operation and the size of the workpiece, it may be necessary to use a C-clamp instead of the work clamp to secure the workpiece prior to making the cut.

### CHANGING THE SAW BLADE (FIG 6, 7, 8, 9)

**⚠ WARNING:** Be sure that the tool is switched off and unplugged from the power source before performing any work on the tool.

**⚠ WARNING:** Use only 10 inch diameter saw blades and are rated for speeds equal to or greater than the nameplate rated RPM of this miter saw.

**⚠ WARNING:** Use only blades designed for cross-cutting operations.





**⚠ WARNING:** Do not use thin kerf blades with deep gullets which may deflect and contact the blade guards or produce poor quality cuts in the workpiece.

### To Change the Blade

1. Unplug the saw
2. Lift up the lower blade guard (3). Loosen the Phillips screw (1) on the blade bolt cover (2).
3. Lift up the blade bolt cover (2) to expose the blade bolt.
4. Depress the spindle lock (7) and rotate the blade until the spindle locks.
5. Using the Wrench (4) provided, loosen the blade bolt (5) by turning it clockwise. Remove the blade bolt.
6. Remove the outer blade flange (6).
7. Remove the old blade from the saw.

**NOTE:** A blade washer may be used for the blade with arbor hole bigger than 5/8 inch.

8. Mount the new blade carefully onto the spindle, being sure that the directional arrow on the blade surface matches the arrow on the upper blade guard.
9. Replace the outer blade flange and the blade bolt.
10. Depress and hold down the spindle lock while tightening the blade locking bolt securely with the provided wrench in a counterclockwise direction.
11. Lower the lower blade guard and the blade bolt cover to its original position.
12. Retighten the Phillips screw securing the blade bolt cover.
13. Be sure the spindle lock has released and blade rotates freely before plugging in the tool and making a cut.

### LASER GUIDE (FIG 10,11)

**⚠ WARNING:** Laser light – do not stare into the beam, aperture, or into a reflection from a mirror-like surface.

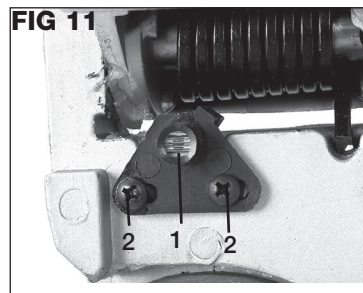
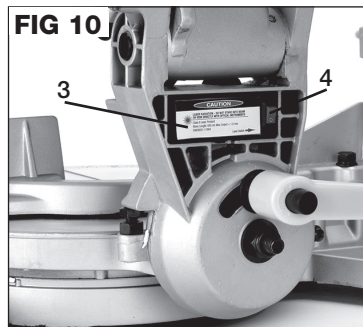
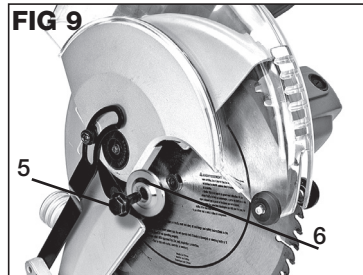
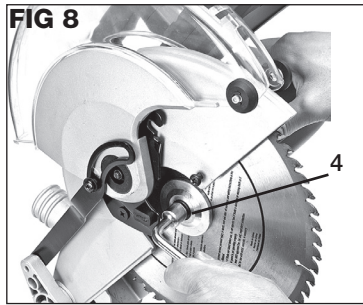
**⚠ WARNING:** Avoid exposure – laser light is emitted from the rear guard aperture. Use of controls or adjustments, or performance of procedures other than those specified herein may result in hazardous laser light exposure.

**⚠ WARNING:** DO not disassemble the laser module.

**⚠ WARNING:** USE of controls or adjustments or performance of procedures other than those specified herein may result in hazardous radiation exposure.

Your miter saw is equipped with a battery powered laser. The laser battery compartment (3) is located at the back of the saw. See figure 10. Two AAA batteries (provided) are required to operate the laser. The Laser ON/OFF switch (4) is located on the battery compartment.

The laser alignment was made at the factory and is set for the center of the Blade or Draw line. Adjustment may be required prior to initial use due to the effects of shipping and handling. You also have the ability to adjust the line projected by the laser to your liking. You may wish for the laser to be to right or left of the blade, or straight on a drawn cut line. Where you ultimately decide to align the laser in relation to the saw blade's cutting path will determine how you align the cut line.



On each side of the laser are two Phillips head screws (2) which, when loosened, allow movement to the left and right. Beware that small adjustments can yield dramatic changes in the laser's path. With patience and practice you'll be able to place the laser line in the ideal position for your style of blade to cut line alignment.

## DEPTH OF CUT ADJUSTMENT (FIG 12)

**⚠ WARNING:** Be sure the machine is unplugged from the power source. Accidental saw start-up could result in serious personal injury.

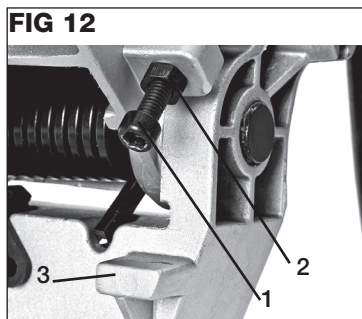
**NOTE:** Your Miter Saw should come adjusted properly for depth of cut while using the Factory-installed blade for normal operation.

The downward travel or depth of cut, of the saw blade can be controlled to prevent contact with the metal surfaces of the miter saw, to insure the blade completely cuts through the workpiece, and permit depth of cut settings for special operations.

### To Adjust The Miter Saw Blade's Cutting Depth

**NOTE:** This is factory set and usually does not require adjusting. (This saw may not come with the necessary tools for the following procedure.)

1. Locate the cutting depth adjustment bolt (1+2) assembly on the saw arm and on the right side of the dust port.
2. If the saw arm is locked in the down position, release it by pulling the saw arm lock knob out.
3. Loosen the jamb nut (2) counter-clockwise several turns. Using the 5 mm Allen wrench, loosen or tighten to adjust the stop bolt (1). Clockwise rotation will raise the depth of cut; counterclockwise rotation will lower the depth of cut.
4. As you lower the saw blade, rotate the blade to be sure it does not contact the machine's metal surfaces and will allow through cutting of work pieces resting against the fence.
5. Re-tighten the jamb nut while holding the adjustment bolt in place.
6. Before each use of the miter saw, with the saw unplugged, lower the blade and rotate it by hand to confirm the blade does not contact the miter saw surfaces



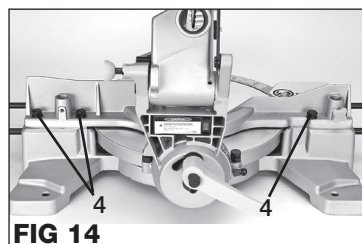
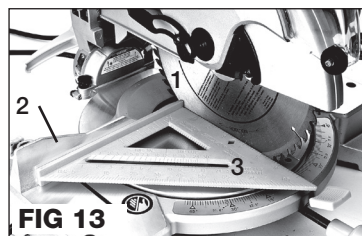
## SQUARING THE SAW BLADE TO THE FENCE (FIG 13, 14)

**⚠ WARNING:** Be sure that the tool is switched off and unplugged from the power source before performing any work on the tool. Failure to unplug the saw may result in accidental start-up, causing possible serious personal injury.

1. Unplug the miter saw.
2. Loosen the miter lock handle. Rotate the miter table and move to 0° miter stop position.

**(NOTE:** Check if the red miter pointer points to 0° on the miter scale. If not, loosen the miter pointer screw, adjust the pointer to point accurately to 0° scale mark, tighten the pointer screw.)

3. Tighten the miter lock handle securely.
4. Pull the saw head down completely and move the arm release knob into the transport position, locking the blade and arm in the down position.
5. Lay a small framing square (3) or tri-square on the miter table. Place one leg of the square against the fence (2) and slide the other leg of the square against a flat part of the saw blade (1). (Be sure the square contacts the flat part of the saw blade and not the blade teeth.)



6. Check that the edge of the square and the saw blade are parallel along the entire length of the square's edge.
7. If the front or back portion of the blade angles away from the square's edge, adjusting the fence is necessary.
8. Using the 13 mm wrench provided, loosen three bolts (4) that secure the fence to the saw's stationary table.
9. While holding one leg of the square against the fence, slowly move the fence (2) to the left or right until the saw blade is parallel with the square's other leg.
10. Carefully tighten the three bolts and recheck the blade alignment as in steps 5 and 6.

## 0° AND 45° BEVEL STOP ADJUSTMENTS (FIG 15, 16)

**NOTE:** This is factory set and usually does not require adjusting. (This saw may not come with the necessary tools for the following procedure.)

**⚠ WARNING:** Be sure that the tool is switched off and unplugged from the power source before performing any work on the tool. Failure to unplug the saw may result in accidental start-up, causing possible serious personal injury.

### To Adjust the 0° Bevel Stop

1. Unplug the miter saw.
2. Align the miter table to 0° and lock the saw head down in the transport position.
3. Loosen the bevel lock handle at the rear of the saw, set the saw arm at 0° bevel stop (blade 90° to the miter table).
4. Place a combination square on the miter table and the flat part of the saw blade (making sure the square is not touching any blade teeth).
5. Slowly rotate the blade by hand, checking the square's alignment with the blade at several points. The edge of the square and blade should be parallel; however, if the top or bottom of the blade angles away from the square's edge, an adjustment is needed.
6. The 0° bevel stop adjustment bolt is located on the right lower portion of the bevel knuckle. Using a 13 mm wrench, loosen the jam nut (3).
7. Use a 13 mm wrench to adjust the 0° bevel stop adjustment bolt (1) and so that the blade is in alignment with the square.
8. If necessary, loosen the bevel angle indicator pointer and adjust it to point accurately to the 0° line, then retighten the screw.

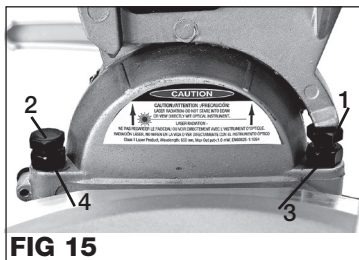


FIG 15



FIG 16

**To Adjust the 45° LEFT Bevel Stop.** Follow the directions for adjusting the 0° bevel stop, except position the saw arm at a 45° left bevel. The 45° left bevel stop adjustment bolt (2) is located on the LEFT side of bevel knuckle.

## OPERATION

**⚠ WARNING:** Always be sure the miter saw is disconnected from the power source before making any adjustments or setting up prior to cutting. Failure to disconnect or unplug the machine may cause accidental starting, resulting in serious personal injury.

**⚠ WARNING:** Always wear safety goggles or safety glasses with side shields when operating tools. Failure to do so could result in objects being thrown into your eyes resulting in possible serious injury.

### TRANSPORTING THE SAW

1. Always make sure the saw head is down and locked.
2. Make sure the miter table is locked, Bevel is locked at 0° position.
3. Only lift the saw by the carrying handle or outer castings.

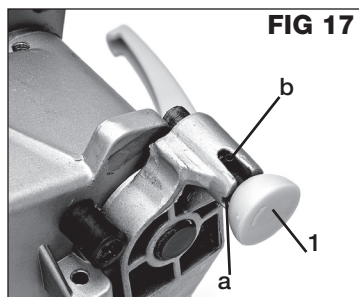
**⚠ WARNING:** Always transport the miter saw in the locked down position, carrying the saw by carrying handle on the cutting arm. DO NOT lift or carry the miter saw using the trigger handle, doing so may cause misalignment of miter and bevel settings.

## LOCKING AND UNLOCKING THE CUTTING HEAD (FIG 17)

When storing or transporting the miter saw, the cutting head should be locked in the down position.

### To Lock Down the Cutting Head

1. Lower the cutting head completely.
2. Pull back the locking knob (1) outwards from its parked "Unlock" position (a).
3. Rotate the locking knob a 1/4 turn, and then release it to "Lock" position (b).



### To Unlock the Cutting Head

1. Press down lightly on the cutting head.
2. Pull back the lock knob (1) outwards from "Lock" position (b).
3. Rotate the lock knob 1/4 turn, then release it into "unlock" position (a).
4. Slowly raise the cutting head to the work position.

## STARTING AND STOPPING THE MITER SAW (FIG 18)

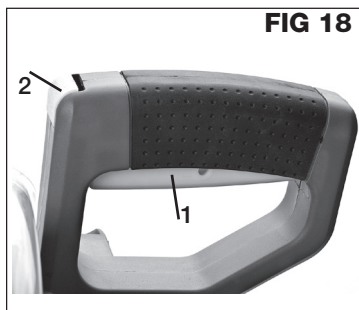
**NOTE:** The saw is equipped with a Lock-Off Switch (2) for extra safety.

To start the miter saw, firmly grasp the saw's top handle. Use your thumb to press the Lock-Off switch (2), then depress the trigger switch (1).

To stop the miter saw, completely release the trigger switch.

**⚠ WARNING:** After completing a cut, release the trigger switch to activate the electric blade brake. Keep the cutting head down until the blade comes to a complete stop before raising the cutting head to the upward or starting position. A rotating saw blade can be dangerous.

**⚠ WARNING:** The torque resulting from electric blade brake activation may loosen the arbor bolt. Occasionally check the arbor bolt and tighten if necessary.



### TABLE HAZARD AREA (FIG 19)

On the stationary table, on each side of the rotating miter table, is a "hands" warning symbol that is cast into the table. The area between the two "hand" symbols is designated as a "Hazard Zone" and the miter saw operator should never place their hands inside this area while the miter saw is running.

**⚠ WARNING:** Keep your hands outside the "Hazard Zone" and out of the path of the saw blade. Use the supplied work clamp or other clamping means to secure the work piece in place before making a cut with the miter saw.

### ROTATING THE MITER TABLE (FIG 20)

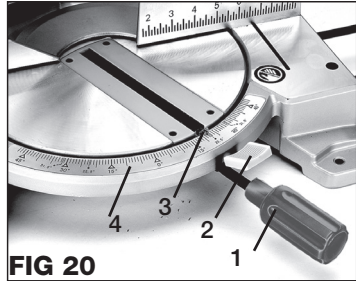
This miter saw will accurately cut any angle from the straight 90° cut to 45° left and 45° right. To Rotate the Miter Table, loosen the Miter Lock Handle (1) one or two turns counterclockwise. Use your thumb to press down the detente lever (2) to release, and then rotate the miter table to the desired angle using the Miter Lock Handle (1). When the desired angle is reached, turn the Miter Lock Handle (1) clockwise to lock the miter table in place.

**NOTE:** This miter saw comes with 9 positive stops, 0° for 90° cutting, left-15°, 22.5°, 30°, 45°, right-15°, 22.5°, 30°, 45° for quick setting of common miter cutting angles.

**CAUTION:** Always tighten the miter lock knob to secure the miter table in position before cutting with the miter saw.

### POINTER AND SCALE (FIG 20)

An arrow shaped pointer (3) is located at the forward end of the miter saw throat plate. Each line on the miter scale (4) represents 1°. When the miter table is rotated the pointer is moved from one line to the next along the miter scale, changing the angle of cut by one degree.



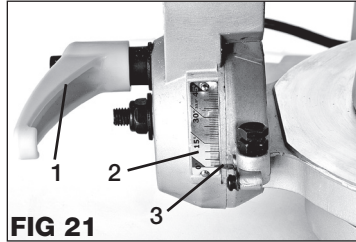
**FIG 20**

### TILTING THE CUTTING HEAD FOR BEVEL CUTTING (FIG 21)

Your compound miter saw is equipped with a cutting head that can be tilted 45° LEFT.

To bevel the cutting head LEFT, loosen the bevel lock handle (1) at the rear of the miter saw, tilt the cutting arm left to the desired angle, and then tighten the lock handle.

Each line on the bevel scale (2) represents one degree of movement. The angle setting is indicated by a stationary red pointer (3) and the bevel angle position of the cutting arm is determined by the position of the red pointer to a line on the bevel scale.



**FIG 21**

Positive stops are provided at 0°, 45° LEFT for quick adjustments.

## APPLICATION

### TYPICAL COMPOUND MITER SAW OPERATIONS

**⚠ WARNING:** Always be sure the miter saw is disconnected from the power source before making any adjustments or during set-up prior to cutting. Failure to disconnect or unplug the machine may cause accidental starting, resulting in serious personal injury.

**⚠ WARNING:** Be sure the miter saw is securely bolted down or clamped to a workbench or appropriate work surface before performing any cutting operations. Failure to do so may result in loss of machine control and/or result in personal injury.

**⚠ WARNING:** If securely holding the work piece causes your hand to be in the machine's "Hazard Zone", clamp the work piece in place and move your hand(s) to a safe position before making the cut.

Regardless of the type of cut being performed with your compound miter saw the following basic set-up steps are used, unless specified otherwise.

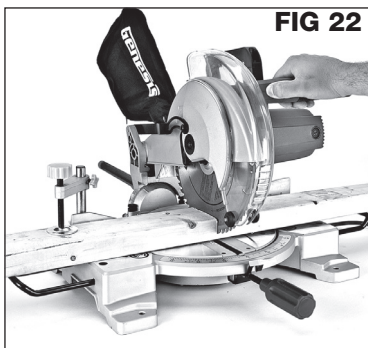
1. Check and confirm the cutting arm (bevel position) and the rotating table (miter position) are at the correct settings and the related adjustment handles are firmly locked in place.
2. Mark the position of desired cut onto the workpiece surface to ensure proper blade and laser alignment.
3. Place the workpiece on the saw table, align the blade and/or laser light with the cut line, then position it firmly against the fence and hold or clamp it firmly in place. If using a hand to hold the work piece in place, be sure it is outside the "Hazard Zone". Never attempt freehand cutting or cutting a workpiece not firmly held against the fence or table!
4. Turn on the saw, allowing the blade to reach full speed. Lower the cutting head slowly into the workpiece and perform the cut at a steady rate.
5. When the cut is completed, release the trigger switch and allow the blade to completely stop rotating before raising the blade and cutting head out of the completed cut.



**MITER CROSSCUTTING (FIG 22)**

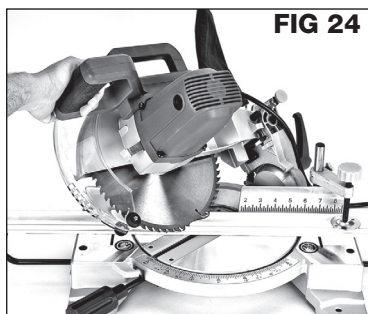
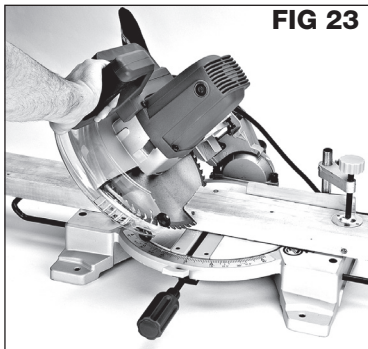
Crosscuts are cuts made across the grain of the work piece, with a straight cut being made with the both the blade bevel and miter table set at 0°. A miter crosscut is made when the miter table is set at some angle other than 0°.

1. Measure and mark the work piece with the desired cut line. Mark the work piece on each side of the cut line indicating which side is the scrap or off cut and which the desired finished piece is.
2. Unlock the rotating miter table by loosening the miter locking knob.
3. Use the miter handle to rotate the table, left or right, to the desired cutting angle. Then tighten the miter lock knob.
4. Place the work piece onto the saw table and against the fence. Turn on the laser light source.
5. Move the work piece left or right to align the cut line with the saw blade and laser light. Then secure the work piece in place, holding it either by hand for large pieces or via the clamping device for small pieces.
6. After confirming the saw settings and that the work piece is secured, turn on the saw and make the cut.

**BEVEL CUTTING (FIG 23)**

A bevel cut is made by cutting across the work piece grain with the blade angled or tilted to the work piece. When making a straight bevel cut, the miter table is set at the 0° position and the blade angled and set at a position between 0° and 45° left.

1. Measure and mark the workpiece with the desired cut line. Mark the workpiece on each side of the cut line indicating which side is the scrap or off cut and which the desired finished piece is.
2. Set and lock the rotating miter table in place at 0°.
3. Loosen the bevel locking handle and move the cutting arm left or right to the desired bevel angle as indicated by the bevel scale pointer. Tighten the bevel locking handle securely.
4. Place the workpiece onto the saw table and against the fence. Turn on the laser light source.
5. Move the workpiece left or right to align the cut line with the saw blade and laser light. Then secure the work piece in place, holding it either by hand or via clamping device.
6. After confirming the saw settings and that the workpiece is secured, turn on the saw and make the cut.

**COMPOUND MITER CUTTING (FIG 24)**

A compound miter is a cut made using both a miter setting and blade bevel setting at the same time. This type of cut is commonly used for picture framing, boxes with angled sides, roof framing cuts, and trim molding.

Compound miter settings are made up of miter and bevel angles that are interdependent, therefore, desired and accurate cuts can be difficult to attain. When a miter angle is changed it affects the bevel angle setting and vice versa. It may take numerous set-ups and test cuts to realize the desired outcome. When compound cuts are required in projects, the settings are usually provided, taken from specialty manuals with pre-calculated settings, published charts, etc. Also you may refer to [Cutting Compound Miters](#) chart included in this manual.

1. Set the bevel angle and miter angle as described earlier and lock the respective adjustment handles securely.
2. For the initial cuts, use scrap material for making test cuts to confirm that bevel and miter angles are set correctly.
3. After confirming the bevel and miter settings are correct, make the compound miter cuts as described in the previous separate sections for bevel and miter cuts.



## CUTTING BASE MOLDING

Base molding can be cut using two methods: standing vertically against the fence or horizontally, laying flat on the miter table. Using the vertical method is limited by the height capacities of your compound miter saw.

### Flat or Horizontal Cutting:

1. Lay the base molding's back onto the miter table with the bottom of the base molding placed against the fence.
2. Set the miter angle to  $0^\circ$ .
3. Turn on the laser and set the blade's bevel to the desired angle, such as  $45^\circ$  for one half of  $90^\circ$  corners.
4. Align the cut line on the workpiece with the blade and laser light.
5. Confirm the saw settings, turn on the saw and make the cut as described earlier.

### Vertical Cutting:

1. Stand the base molding upwards with the molding back against the fence and molding bottom sitting on the miter table.
2. Set the bevel angle to  $0^\circ$ .
3. Turn on the laser and set the miter table to the desired angle, such as  $45^\circ$  for one half of  $90^\circ$  corners.
4. Align the cut line on the work piece with the blade and laser light.
5. Confirm the saw settings, turn on the saw and make the cut as described earlier.

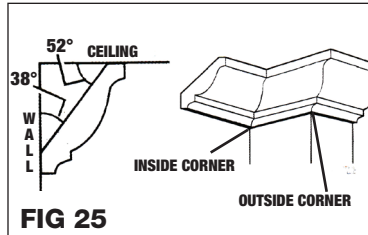
## CUTTING CROWN MOLDING

Your compound miter saw is the ideal tool for cutting crown molding, which bridges the wall and ceiling. The most common style of crown molding used today has a top rear angle of  $52^\circ$  at the ceiling and a bottom rear angle of  $38^\circ$  where it meets the wall. For an installation with tight fitting corners where the right and left pieces meet, extremely accurate bevel and miter angle settings are required.

There are two methods for cutting crown molding. 1) Cutting Crown Molding Flat on the Miter Table. 2) Cutting Crown Molding Vertically Nested against Miter Fence.

### Cutting Crown Molding Flat on the Miter Table

Since the most common corners encountered when using crown molding measure  $90^\circ$  inside and outside, the following instructions will be for cutting  $52^\circ/38^\circ$  crown molding to fit  $90^\circ$  corners with the molding laying flat on the saw table.



INSIDE CORNER	OUTSIDE CORNER
Left Side, 1. Top edge of molding against fence 2. Miter table set RIGHT to $31.62^\circ$ 3. Bevel set at $33.85^\circ$ Left 4. Save LEFT end of cut	Left Side 1. Bottom edge of molding against fence 2. Miter table set LEFT $31.62^\circ$ 3. Bevel set at $33.85^\circ$ Left 4. Save RIGHT end of cut
Right Side 1. Bottom edge of molding against fence 2. Miter table set LEFT to $31.62^\circ$ 3. Bevel set at $33.85^\circ$ Left 4. Save LEFT end of cut	Right Side 1. Top edge of molding against fence 2. Miter table set RIGHT $31.62^\circ$ 3. Bevel set at $33.85^\circ$ Left 4. Save RIGHT end of cut

**NOTE:** When cutting and installing crown molding keep in mind the bevel and miter angles involved are extremely accurate while the corners you'll be working on will rarely measure exactly  $90^\circ$ . Therefore, be prepared to make numerous practice cuts with scrap molding to help fine tune your saw settings.

For cutting crown molding flat for corners other than  $90^\circ$ , please refer to [Crown Molding Miter Angles](#) chart.

### Cutting Crown Molding Vertically Nested Against Miter Fence

Always use a crown molding fence when cutting crown molding angled against the fence. Cutting crown molding angled against the fence does not require any special bevel settings. Small changes in the miter angle can be made without affecting the bevel angle. When using this method the saw can be quickly and easily adjusted for corners that are not  $90^\circ$  (square).

When cutting crown molding in this method, the bottom of the molding goes against the fence. Think of the table of the saw being the ceiling, and the fence as being the wall. Angled “flats” on back of molding must rest squarely on the fence and base of the saw.

The following instructions are for cutting crown molding for a 90° corner.

INSIDE CORNER	OUTSIDE CORNER
Left Side: 1) Miter RIGHT at 45° 2) Save RIGHT End of Cut	Left Side 1) Miter LEFT at 45° 2) Save Right End of Cut
Right Side 1) Miter LEFT at 45° 2) Save LEFT End of Cut	Right Side 1) Miter RIGHT at 45° 2) Save LEFT End of Cut

## CUTTING WARPED WORKPIECES

**NOTE:** It is recommended that you do not cut warped material.

Sometimes you have no choice but to use a piece of warped material. To cut warped workpieces, make sure it is positioned on the miter saw table with the convex side against the fence. DO NOT place the concave side of the work piece against the miter saw fence; when it is cut it will collapse near the completion of the cut, pinching the blade.

**⚠ WARNING:** To avoid possible serious personal injury and possible kickback, never place the concave portion of bowed or warped material against the fence.

## MAINTENANCE

**⚠ WARNING:** Always be sure the miter saw is disconnected from the power source before making any adjustments or during set-up prior to cutting. Failure to disconnect or unplug the machine may cause accidental starting, resulting in serious personal injury.

### CLEANING

Avoid using solvents when cleaning plastic parts. Most plastics are susceptible to damage from various types of commercial solvents and may be damaged by their use. Use clean cloths to remove dirt, dust, oil, grease, etc.

**⚠ WARNING:** Do not at any time let brake fluids, gasoline, petroleum-based products, penetrating oils, etc., come in contact with plastic parts. Chemicals can damage, weaken or destroy plastic which may result in serious personal injury.

Electric tools used on fiberglass material, wallboard, spackling compounds, or plaster are subject to accelerated wear and possible premature failure because the fiberglass chips and grindings are highly abrasive to bearings, brushes, commutators, etc. Consequently, we do not recommend using this tool for extended work on these types of materials. However, if you do work with any of these materials, it is extremely important to clean the tool using compressed air.

### LUBRICATION

This tool is permanently lubricated at the factory and requires no additional lubrication.

## CROWN MOLDING MITER ANGLES

CROWN TYPE	38°/52°	45°/45°	CROWN TYPE	38°/52°	45°/45°
WALL ANGLE	MITER/BEVEL	MITER/BEVEL	WALL ANGLE	MITER/BEVEL	MITER/BEVEL
67	42.93/41.08	46.89/36.13	107	24.49/27.95	27.62/24.87
68	42.39/40.79	46.35/35.89	108	24.10/27.59	27.19/24.56
69	41.85/40.50	45.81/35.64	109	23.71/27.23	26.77/24.24
70	41.32/40.20	45.28/35.40	110	23.32/26.87	26.34/23.93
71	40.79/39.90	44.75/35.15	111	22.93/26.51	25.92/23.61
72	40.28/39.61	44.22/34.89	112	22.55/26.15	25.50/23.29
73	39.76/39.30	43.70/34.64	113	22.17/25.78	25.08/22.97
74	39.25/39.00	43.18/34.38	114	21.79/25.42	24.66/22.65
75	38.74/38.69	42.66/34.12	115	21.42/25.05	24.25/22.33
76	38.24/38.39	42.15/33.86	116	21.04/24.68	23.84/22.01
77	37.74/38.08	41.64/33.60	117	20.67/24.31	23.43/21.68
78	37.24/37.76	41.13/33.33	118	20.30/23.94	23.02/21.36
79	36.75/37.45	40.62/33.07	119	19.93/23.57	22.61/21.03
80	36.27/37.13	40.12/32.80	120	19.57/23.20	22.21/20.70
81	35.79/36.81	39.62/32.53	121	19.20/22.83	21.80/20.38
82	35.31/36.49	39.13/32.25	122	18.84/22.46	21.40/20.05
83	34.83/36.17	38.63/31.98	123	18.48/22.09	21.00/19.72
84	34.36/35.85	38.14/31.70	124	18.13/21.71	20.61/19.39
85	33.90/35.52	37.66/31.42	125	17.77/21.34	20.21/19.06
86	33.43/35.19	37.17/31.14	126	17.42/20.96	19.81/18.72
87	32.97/34.86	36.69/30.86	127	17.06/20.59	19.42/18.39
88	32.52/34.53	36.21/30.57	128	16.71/20.21	19.03/18.06
89	32.07/34.20	35.74/30.29	129	16.37/19.83	18.64/17.72
90	31.62/33.86	35.26/30.00	130	16.02/19.45	18.25/17.39
91	31.17/33.53	34.79/29.71	131	15.67/19.07	17.86/17.05
92	30.73/33.19	34.33/29.42	132	15.33/18.69	17.48/16.71
93	30.30/32.85	33.86/29.13	133	14.99/18.31	17.09/16.38
94	29.86/32.51	33.40/28.83	134	14.65/17.93	16.71/16.04
95	29.43/32.17	32.94/28.54	135	14.30/17.55	16.32/15.70
96	29.00/31.82	32.48/28.24	136	13.97/17.17	15.94/15.36
97	28.58/31.48	32.02/27.94	137	13.63/16.79	15.56/15.02
98	28.16/31.13	31.58/27.64	138	13.30/16.40	15.19/14.68
99	27.74/30.78	31.13/27.34	139	12.96/16.02	14.81/14.34
100	27.32/30.43	30.68/27.03	140	12.63/15.64	14.43/14.00
101	26.91/30.08	30.24/26.73	141	12.30/15.25	14.06/13.65
102	26.50/29.73	29.80/26.42	142	11.97/14.87	13.68/13.31
103	26.09/29.38	29.36/26.12	143	11.64/14.48	13.31/12.97
104	25.69/29.02	28.92/25.81	144	11.31/14.09	12.94/12.62
105	25.29/28.67	28.48/25.50	145	10.99/13.71	12.57/12.28
106	24.78/28.31	28.05/25.19	146	10.66/13.32	12.20/11.93

## CUTTING COMPOUND MITERS

To aid in making the correct settings, the compound angle setting chart below has been provided. Since compound cuts are the most difficult to obtain the accuracy, make trial cuts on scrap material prior to making your required cut.

PITCH	NUMBER OF SIDES						
	4	5	6	7	8	9	10
0°	M-45.00° B- 0.00°	M-36.00° B- 0.00°	M-30.00° B- 0.00°	M-25.71° B- 0.00°	M-22.50° B- 0.00°	M-20.00° B- 0.00°	M-18.00° B- 0.00°
5°	M-44.89° B- 3.53°	M-35.90° B- 2.94°	M-29.91° B- 2.50°	M-25.63° B- 2.17°	M-22.42° B- 1.91°	M-19.93° B- 1.71°	M-17.94° B- 1.54°
10°	M-44.56° B- 7.05°	M-35.58° B- 5.86°	M-29.62° B- 4.98°	M-25.37° B- 4.32°	M-22.19° B- 3.81°	M-19.72° B- 3.40°	M-17.74° B- 3.08°
15°	M-44.01° B- 10.55°	M-35.06° B- 8.75°	M-29.15° B- 7.44°	M-24.95° B- 6.45°	M-21.81° B- 5.68°	M-19.37° B- 5.08°	M-17.42° B- 4.59°
20°	M-43.22° B- 14.00°	M-34.32° B- 11.60°	M-28.48° B- 8.53°	M-24.35° B- 8.53°	M-21.27° B- 7.52°	M-18.88° B- 6.72°	M-16.98° B- 6.07°
25°	M-42.19° B- 17.39°	M-33.36° B- 14.38°	M-27.62° B- 12.20°	M-23.56° B- 10.57°	M-20.58° B- 9.31°	M-18.26° B- 8.31°	M-16.98° B- 7.50°
30°	M-40.89° B- 20.70°	M-32.18° B- 17.09°	M-26.57° B- 14.48°	M-22.64° B- 12.53°	M-19.73° B- 11.03°	M-17.50° B- 9.85°	M-15.72° B- 8.89°
35°	M-39.32° B- 23.93°	M-30.76° B- 19.70°	M-25.31° B- 16.67°	M-21.53° B- 14.41°	M-18.74° B- 12.68°	M-16.60° B- 11.31°	M-14.90° B- 10.21°
40°	M-37.45° B- 27.03°	M-29.10° B- 22.20°	M-23.86° B- 18.75°	M-20.25° B- 16.19°	M-17.60° B- 14.24°	M-15.58° B- 12.70°	M-13.98° B- 11.46°
45°	M-35.26° B- 30.00°	M-27.19° B- 24.56°	M-22.21° B- 20.70°	M-18.80° B- 17.87°	M-16.32° B- 15.70°	M-14.43° B- 14.00°	M-12.94° B- 12.62°
50°	M-32.73° B- 32.80°	M-25.03° B- 26.76°	M-20.36° B- 22.52°	M-17.20° B- 19.41°	M-14.91° B- 17.05°	M-13.17° B- 15.19°	M-11.80° B- 13.69°
55°	M-29.84° B- 35.40°	M-22.62° B- 28.78°	M-18.32° B- 24.18°	M-15.44° B- 20.82°	M-13.36° B- 18.27°	M-11.79° B- 16.27°	M-10.56° B- 14.66°
60°	M-26.57° B- 37.76°	M-19.96° B- 30.60°	M-16.10° B- 25.66°	M-13.54° B- 22.07°	M-11.70° B- 19.35°	M-10.31° B- 17.23°	M-9.23° B- 15.52°
65°	M-22.91° B- 39.86°	M-17.07° B- 32.19°	M-13.71° B- 26.95°	M-11.50° B- 23.16°	M-9.93° B- 20.29°	M-8.74° B- 18.06°	M-7.82° B- 16.26°
70°	M-18.88° B- 41.64°	M-13.95° B- 33.53°	M-11.17° B- 28.02°	M-9.35° B- 24.06°	M-8.06° B- 21.08°	M-7.10° B- 18.75°	M-6.34° B- 16.88°
75°	M-14.51° B- 43.08°	M-10.65° B- 34.59°	M-8.50° B- 28.88°	M-7.10° B- 24.78°	M-6.12° B- 21.69°	M-5.38° B- 19.29°	M-4.81° B- 17.37°
80°	M-9.85° B- 44.14°	M-7.19° B- 35.37°	M-5.73° B- 29.50°	M-4.78° B- 25.30°	M-4.11° B- 22.14°	M-3.62° B- 19.68°	M-3.23° B- 17.72°
85°	M-4.98° B- 44.78°	M-3.62° B- 35.84°	M-2.88° B- 29.87°	M-2.40° B- 25.61°	M- 2.07° B- 22.41°	M-1.82° B- 19.92°	M-1.62° B- 17.93°
90°	M-0.00° B- 45.00°	M-0.00° B- 36.00°	M-0.00° B- 30.00°	M-0.00° B- 25.71°	M-0.00° B- 22.50°	M-0.00° B- 20.00°	M-0.00° B- 18.00°

## **TWO-YEAR WARRANTY**

This product is warranted free from defects in material and workmanship for 2 years after date of purchase. This limited warranty does not cover normal wear and tear or damage from neglect or accident. The original purchaser is covered by this warranty and it is not transferable. Prior to returning your tool to store location of purchase, please call our Toll-Free Help Line for possible solutions.

***ACCESSORIES INCLUDED IN THIS KIT ARE NOT COVERED BY THE 2 YEAR WARRANTY.***

## **TOLL-FREE HELP LINE**

For questions about this or any other GENESIS™ Product, please call Toll-Free: **888-552-8665**.

Or visit our web site: **[www.genesispowertools.com](http://www.genesispowertools.com)**

©Richpower Industries, Inc. All Rights reserved

Richpower Industries, Inc.  
736 Hampton Road  
Williamston, SC 29697

Printed in China, on recycled paper

# SCIE À ONGLETS COMPOSÉS DE 254 MM (10 PO.)

## Manuel d'utilisation

### SPÉCIFICATIONS

- Modèle: ----- GMS1015LC
- Puissance Nominale: ----- 120V~/ 60HZ, 15 Amp
- Vitesse de rotation sans charge:----- 4600 tr/min.
- Dimension de la lame: ----- 254 mm (10 po.)
- Dimension de l'axe de meule: ----- 16,0 mm (5/8 po.)
- Angle de biseau lame:----- 0-45° à gauche
- Angle d'onglet de lame:----- 0-45° à gauche comme à droite
- Capacité de coupe à 90°:----- H 75 mm x L 122 mm (3 po. x 4-3/4 po.)
- Capacité de coupe à 45° ----- H 75 mm x L 85 mm (3 po. x 3-5/16 po.)
- Capacité de coupe à 0° d'onglet & 45° biseau: ----- H 35 mm x L 122 mm (1-3/8 po. x 4-3/4 po.)
- Capacité de coupe à 45° d'onglet & 45° biseau:----- H 35 mm x L 85 mm (1-3/8 po. x 3-5/16 po.)
- Poids net:----- 10,9 kgs
- Laser: ---- Laser de class II, longueur d'onde: 650 nm, sortie max <1.0 mw

Inclut: scie, lame au carbure 60 dents, serre-joint de fixation, sac à poussière, ailes d'extension, deux piles AAA pour le laser et clé de la lame

**⚠ AVERTISSEMENT:** Pour réduire le risque de blessure, l'utilisateur doit lire et assimiler ce manuel d'utilisation avant de se servir de l'outil. Conservez ce manuel comme référence ultérieure.

Numéro d'aide sans frais: 1-888-552-8665.



**⚠ AVERTISSEMENT:** L'utilisation de tout outil électrique peut causer la projection d'objets étrangers dans vos yeux, pouvant entraîner de sérieux dommages. Avant de commencer à vous servir de l'outil, portez toujours des lunettes de sécurité ou avec des écrans latéraux de protection, et une protection faciale complète si nécessaire. Nous recommandons le port d'un masque à vision large par dessus les lunettes. Portez toujours une protection oculaire qui est marquée comme en conformité avec ANSI Z87.1.



**Repérez ce symbole qui signale d'importantes précautions de sécurité. Cela veut dire faites attention ! Votre sécurité est en jeu.**

### RÈGLES GÉNÉRALES DE SÉCURITÉ

**⚠ AVERTISSEMENT:** Certaines poussières produites par des appareils électriques de ponçage, sciage, meulage, perçage et autres travaux de construction contiennent des produits chimiques connus pour causer cancer, anomalies congénitales et autres atteintes à la reproduction. Voici quelques exemples de ces produits nocifs :

- Plomb des peintures au plomb,
- Silice cristalline des briques et du béton et d'autres matériaux de construction,
- Arsenic et chrome de bois d'œuvre traité chimiquement.

Votre risque en cas d'exposition varie, selon la fréquence d'exécution de ce type de tâches. Pour réduire votre exposition à ces produits : travaillez dans une zone bien ventilée en portant un équipement de sécurité approuvé, tel que masque à poussières spécialement conçu pour filtrer les particules microscopiques.



**⚠ AVERTISSEMENT:** Lisez et assimilez tous les avertissements, mises en garde et instructions d'utilisation avant de vous servir de cet équipement. Sinon vous risquez commotion électrique, début d'incendie et/ou blessures corporelles.

## CONSERVEZ CES INSTRUCTIONS

### LIEU DE TRAVAIL:

- **Gardez propre la zone de travail.** Les zones et établis en désordre attirent les accidents.
- **Ne pas utiliser d'outils électriques dans des atmosphères explosives,** par exemple en présence de liquidés, gaz ou poussières inflammables. Les outils électriques produisent des étincelles risquant d'enflammer les poussières ou vapeurs.
- **Garder les badauds, enfants et visiteurs à l'écart pendant l'utilisation d'un outil électrique.** Les distractions peuvent causer une perdre le contrôle.

### SÉCURITÉ ÉLECTRIQUE

- **La puissance des bouchons outil doit correspondre à la prise électrique.** Ne jamais modifier la prise en aucune façon. Ne pas utiliser d'adaptateur de bouchons dans toute la terre (la terre) les outils électriques. Les outils à double isolation sont équipés d'une fiche polarisée (une broche est plus large que l'autre).. Cette fiche ne peut être branchée sur une prise polarisée que dans un seul sens. Si la fiche ne peut pas être insérée dans la prise, l'inverser. Si vous ne pouvez toujours pas être l'insérer, faire installer une prise polarisée par un électricien qualifié. Ne pas modifier la fiche, de quelque façon que ce soit. La double isolation élimine le besoin de cordon d'alimentation à trois fils et d'un circuit secteur mis à la terre.
- **NE PAS exposer les outils électriques à la pluie ou l'humidité.** La pénétration d'eau dans ces outils accroît le risque de choc électrique.
- **Éviter tout contact du corps avec des surfaces mises à la terre,** telles que tuyaux, radiateurs, cuisinières et réfrigérateurs. Le risqué de choc électrique est accru lorsque le corps est mis à la terre.
- **NE PAS maltraiter le cordon d'alimentation.** Ne jamais utiliser le cordon d'alimentation pour transporter l'outil et ne jamais débrancher ce dernier en tirant sur le cordon. Garder le cordon à l'écart de la chaleur, de l'huile, des objets tranchants et des pièces en mouvement. Remplacer immédiatement tout cordon endommagé. Un cordon endommagé accroît le risque d'électrocution.
- **Lorsque l'exploitation d'un pouvoir en dehors des outils,** l'utilisation d'une rallonge électrique pour une utilisation extérieure. Ces cordons sont prévus pour une utilisation à l'extérieur et de réduire le risque de choc électrique.
- **NE PAS utiliser l'AC notées les outils d'une alimentation en courant continu.** Même si l'outil semble fonctionner, les composants électriques de l'AC notées outil sont susceptibles d'échouer et d'accroître le risque pour l'opérateur.

### SÉCURITÉ PERSONNELLE

- **Rester attentif, prêter attention au travail et faire prévue de bon sens lors de l'utilisation de tout outil électrique.** Ne pas utiliser cet outil en état de fatigue ou sous l'influence de l'alcool, de drogues ou de médicaments. Un moment d'inattention pendant l'utilisation d'un outil électrique peut entraîner des blessures graves.
- **Utiliser l'équipement de sécurité. Toujours porter une protection oculaire.** Suivant les conditions, le port d'un masque filtrant, de chaussures de sécurité, d'un casque ou d'une protection auditive est recommandé.
- **Portez une tenue appropriée.** Ne portez pas de vêtements flottants, gants, cravate, bracelets, montre de poignet ou autres bijoux qui peuvent être happés par des pièces en mouvement. Le port de chaussures antidérapantes est recommandé, ainsi que le port d'une couverture des cheveux s'ils sont longs..
- **Évitez d'un démarrage accidentel. S'assurer que le commutateur est en position arrêt avant de brancher po.** De transport outil avec le doigt sur l'interrupteur ou de brancher des outils électriques qui sont le commutateur invite accidents.
- **Enlevez les clés et outils de réglage avant de mettre en marche.** Les clés, clavettes, déchets et autres débris peuvent être projetés à grande vitesse, et ainsi causer des graves blessures.

- **NE travaillez pas à bout de bras.** Gardez une bonne posture et un bon équilibre en permanence, un déséquilibre peut amener votre chute sur la machine en action, avec possibilité de blessure.
- **Si dispositifs sont prévus pour la connexion d'extraction des poussières et des installations de collecte,** d'assurer ceux-ci sont connectés et utilisés correctement. L'utilisation de ces appareils peut réduire les risques liés à la poussière. Ne pas utiliser l'outil sur une échelle ou un support instable. Une bonne tenue et un bon équilibre permettent de mieux contrôler l'outil en cas de situation imprévue.
- **Maintenez l'outil sec, propre et sans huile ou graisse.** Utilisez toujours un chiffon propre pour le nettoyage. N'utilisez jamais de fluide pour freins, d'essence, de produits à base de pétrole, ni n'importe quel type de solvant pour nettoyer l'outil.

## UTILISATION ET ENTRETIEN DE L'OUTIL

- **Sécurisation de la pièce à travailler.** Utilisez des serre-joints ou un étau pour maintenir la pièce travaillée quand c'est possible. C'est plus sûr que de se servir de sa ou ses mains et permet de garder ses deux mains libres pour actionner l'outil. La perte de contrôle de la pièce travaillée peut entraîner des blessures corporelles.
- **NE forcez pas sur l'outil.** L'outil effectuera la tâche de façon meilleure et plus sûre à la vitesse de pénétration pour laquelle il a été conçu. Forcer sur l'outil peut éventuellement endommager la machine et entraîner des blessures.
- **Utilisez le bon outil pour la tâche.** Ne forcez pas sur l'outil ou accessoire pour exécuter une tâche pour laquelle il n'a pas été conçu. N'utilisez pas l'outil pour une finalité non prévue car vous risquez des dégâts matériels et/ou des blessures corporelles.
- **N'utilisez pas l'outil si son interrupteur de marche/arrêt fonctionne mal.** Faites immédiatement remplacer les interrupteurs défectueux par un centre de réparations agréé.
- **Débrancher l'outil avant d'effectuer des réglages,** de changer d'accessoire ou de ranger l'outil. Ces mesures de sécurité réduisent les risques de démarrage accidentel de l'outil.
- **Ranger les outils non utilisés hors de portée des enfants et des personnes n'ayant pas reçu de formation adéquate.** Entre les mains de personnes n'ayant pas reçu de formation adéquate, les outils sont dangereux.
- **Entretenir soigneusement les outils.** Vérifier qu'aucune pièce mobile n'est mal alignée, grippée ou brisée et s'assurer qu'aucun autre problème ne risque d'affecter le bon fonctionnement de l'outil. En cas de dommages, faire réparer l'outil avant de l'utiliser de nouveau. De nombreux accidents sont causés par des outils mal entretenus.
- **N'utilisez que des accessoires recommandés.** L'utilisation d'accessoires et équipements annexes non recommandés par le constructeur ou non prévus pour être utilisés sur ce type d'outil peut causer des dégâts matériels et/ou des blessures corporelles pour l'utilisateur. Consultez le manuel d'utilisation pour connaître les accessoires recommandés.
- **Maintenir des outils de coupe nette et propre.** Bien entretenu avec des outils de coupe de pointe sont moins susceptibles de lier et sont plus faciles à contrôler.
- **Poussez la pièce à travailler dans la bonne direction à la bonne vitesse.** N'envoyez la pièce vers la lame le couteau ou la surface abrasive, selon la machine, que en sens opposé à la rotation de l'outil de coupe. Une mauvaise présentation de la pièce dans le même sens que la rotation de l'outil de coupe fait que la pièce est projetée à grande vitesse.
- **NE jamais laisser l'outil en marche sans surveillance.** Éteignez l'appareil. Ne laissez pas l'outil jusqu'à ce qu'il arrive à un arrêt complet.
- **NE démarrez jamais un outil quand un composant rotatif est déjà en contact avec la pièce travaillée.**

**AVERTISSEMENT:** L'UTILISATION DE CET OUTIL PEUT GÉNÉRER ET BRASSER DE LA POUSSIÈRE ET D'AUTRES PARTICULES EN SUSPENSION DANS L'AIR, COMME SCIURE, SILICE CRISTALLINE ET AMIANTE. Dirigez le flot de particules hors de votre visage et de votre corps. Faites toujours fonctionner l'outil dans une zone bien ventilée, et veillez à une bonne évacuation de la poussière. Utilisez un système de collecte de poussières dans la mesure du possible. L'exposition aux poussières peut causer des troubles respiratoires ou autres sérieux et permanents, incluant la silicose (une sérieuse affection des poumons), le cancer et la mort. Évitez de respirer la poussière et évitez un contact prolongé avec elle. Si vous laissez entrer la poussière dans votre bouche ou vos yeux, ou se déposer sur votre peau, vous risquez de provoquer l'absorption de matières dangereuses. Portez toujours une protection respiratoire approuvée NIOSH/OSHA bien ajustée convenant à la protection contre les poussières, et lavez les surfaces de peau exposées à l'eau et au savon.

## SERVICE

- **Demandez à votre outil électrique à être desservie par une personne qualifiée en utilisant** uniquement des pièces identiques. Cela permettra de s'assurer que la sécurité de l'outil électrique est maintenue.
- **L'entretien de votre outil électrique périodiquement.** Lors du nettoyage d'un outil, faire attention à ne pas démonter une partie de l'outil en raison de câbles électriques peuvent être égarés ou pincés.

## CONSERVEZ CES INSTRUCTIONS

## CORDONS RALLONGES

**Les outils mis à la terre nécessitent un cordon rallonge à trois fils.** Les outils à double isolation peuvent utiliser des cordons rallonge indifféremment à deux ou trois conducteurs. Plus augmente la distance depuis la prise d'alimentation, plus le calibre de la rallonge devra être important. L'utilisation de cordons rallonges avec des fils mal calibrés peut provoquer une importante chute de tension d'entrée, d'où une perte de puissance et de possibles dommages pour l'outil. Reportez-vous au tableau pour déterminer la taille minimum requise pour les fils.

Plus le numéro de calibre de fil est faible, plus importante est la capacité en courant du cordon. Par exemple un calibre 14 peut transporter un courant plus fort qu'un fil de calibre 16. Quand vous utilisez plus d'un cordon d'extension pour obtenir la longueur totale, assurez-vous que chacun contient au moins le calibre minimum de fils requis. Si vous utilisez un câble d'extension pour alimenter plus d'un outil, ajoutez les ampérages de leurs plaques signalétiques et utilisez cette somme pour déterminer le calibre minimum des fils.

### Conseils d'utilisation de cordons rallonges

- Si vous utilisez un cordon rallonge à l'extérieur, assurez-vous qu'il est marqué du suffixe « W-A » (W seulement au Canada), qui indique qu'il convient bien à une utilisation à l'extérieur.
- Assurez-vous que votre cordon rallonge est correctement câblé et en bonne condition électrique. Remplacez toujours un cordon rallonge endommagé ou faites-le réparer par une personne qualifiée avant de l'utiliser.
- Protégez vos cordons rallonges des angles et objets tranchants, de la chaleur excessive, et des zones humides ou mouillées.

Calibre de fil minimum recommandé pour cordons de rallonge (en 120 Volts)

Ampérage nominal (à pleine charge)	Longueur du cordon de rallonge					
	7.6 m 25 Feet	15.2 m 50 Feet	22.9 m 75 Feet	30.5 m 100 Feet	45.7 m 150 Feet	61.0 m 200 Feet
0-2.0	18	18	18	18	16	16
2.1-3.4	18	18	18	16	14	14
3.5-5.0	18	18	16	14	12	12
5.1-7.0	18	16	14	12	12	10
7.1-12.0	18	14	12	10	8	8
12.1-16.0	14	12	10	10	8	6
16.1-20.0	12	10	8	8	6	6

# RÈGLES DE SÉCURITÉ SPÉCIFIQUES POUR SCIE À ONGLETS

**⚠ AVERTISSEMENT:** NE laissez PAS une fausse sécurité s'installer provoquée par confort et familiarité avec le produit (suite à des utilisations répétées) remplacer la stricte application des règles de sécurité pour la scie à onglets. Si vous utilisez cet outil dangereusement et incorrectement, vous pouvez subir de sérieuses blessures.

- **Ne mettez pas en marche cette scie à onglets** jusqu'à ce qu'elle soit assemblée et installée conformément aux instructions.
- **Si vous n'êtes pas totalement familiarisé** avec le fonctionnement des scies à onglets, demandez de l'aide à votre supérieur, à votre instructeur ou à une personne qualifiée.
- **Montez l'outil de façon sûre sur une surface de support stable** avant de l'utiliser. Idéalement fixez ou boulonnez solidement votre scie à onglets sur établi, table ou support pour outils à environ la hauteur des hanches.
- **Tilisez les protections dans la mesure du possible.** Vérifiez que les protections sont correctement positionnées, serrées et opérationnelles.
- **N'utilisez que des lames de scie de travers.** N'utilisez que des angles d'attaque de 0° ou négatifs quand vous travaillez avec des lames à pointes au carbure. **Important :** n'utilisez pas de lames à trait fin ou à creux de dents profonds. Ces lames peuvent facilement dévier et toucher la protection ou la table de scie à onglets.
- **N'utilisez que des lames de scie de type** et taille corrects spécifiés pour cet outil.
- **Assurez-vous d'utiliser une lame affûtée qui tourne librement et ne vibre pas.**
- **Inspectez les lames pour y déceler** des craquelures ou autres dommages avant l'utilisation. Remplacez immédiatement les lames en mauvais état.
- **Nettoyez lame et rondelles de bride de lame avant l'utilisation. Vérifiez de nouveau qu'il n'y a pas de dommages** et serrez bien l'écrou de l'arbre.
- **N'utilisez que des brides de lame spécifiées pour cet outil.**
- **Gardez vos mains à l'écart du trajet de la lame de scie.** Si la pièce à couper amène vos mains à être à moins de 18 cm de la lame de scie, la pièce à travailler doit être fixée en place avant de commencer la coupe.
- **Conservez les événements du moteur propres et exempts de copeaux,** poussière, et autres obstructions qui pourraient empêcher la circulation de l'air pour le refroidissement du moteur.
- **Assurez-vous que toutes les poignées de réglage de scie sont serrées** avant de couper, même si la table est positionnée sur un des arrêts précis. N'oubliez pas de serrer la poignée de réglage de biseau montée à l'arrière.
- **N'appliquez jamais de lubrifiants** sur la lame quand elle tourne.
- **N'utilisez jamais de lames de scie** prévues pour fonctionner à moins de 5000 tours/minute.
- **Ne démarrez jamais l'outil** avec la pièce à travailler contre la lame.
- **Laissez le moteur atteindre sa pleine** vitesse avant de démarrer la coupe.
- **Laissez toujours les protections de lame** en place et utilisez-les toujours.
- **Ne cherchez jamais à atteindre quelque chose au-delà ou derrière la lame de scie.**
- **Ne verrouillez jamais l'interrupteur** en position de marche (on).
- **N'essayez jamais de recouper les petites pièces.**
- **Ne coupez jamais de métaux ferreux ou de la maçonnerie.** Cette scie à onglets est conçue pour couper du bois et des produits similaires.
- **N'effectuez pas de coupes à mains libres.** Maintenez fermement la pièce travaillée contre le guide et la table. Utilisez des serre-joints pour fixer la pièce si possible.

- **Les pièces à travailler longues ou larges doivent être convenablement soutenues.**
- **Important : après avoir terminé la coupe**, relâcher l'interrupteur d'alimentation et laissez la lame revenir à un arrêt total avant de mettre la scie en position relevée.
- **Arrêtez la scie et laissez la lame stopper totalement** avant de nettoyer la zone autour de la lame et enlever débris et chutes du chemin de la lame. Les lames finissant de tourner restent dangereuses.
- **Arrêtez la scie et laissez la lame stopper totalement** avant d'enlever ou détacher la pièce travaillée, modifier son orientation ou changer l'angle d'attaque de la lame.
- **N'effectuez jamais de mise en place**, assemblage ou positionnement sur la table de scie ou la zone de travail pendant que la machine tourne.
- **Arrêtez la machine (off) et débranchez-la de la prise secteur** avant d'installer ou enlever des accessoires, régler ou modifier des réglages, ou pour des réparations.
- **Débranchez la machine de la prise secteur** et nettoyez la zone de travail avant de quitter la machine.
- **Si une des pièces de votre scie à onglets manque**, est endommagée ou défectueuse d'une quelconque façon, ou si un composant électrique présente un dysfonctionnement, arrêtez à l'interrupteur et débranchez la fiche de la prise. Remplacez les pièces manquantes ou défectueuses avant de reprendre l'utilisation.

**⚠ AVERTISSEMENT:** Lisez et assimilez tous les avertissements, mises en garde et instructions d'utilisation avant de vous servir de cet équipement. Sinon vous risquez commotion électrique, début d'incendie et/ou blessures corporelles.

**CONSERVEZ CES INSTRUCTIONS**

# LEXIQUE DES TERMES UTILISES DANS LE TRAVAIL DU BOIS

**Pièce**- Morceau de matériau recevant l'opération de coupe. Les surfaces de la pièce sont les faces, les extrémités et les chants.

**Doigts Anti recul**- Dispositif qui, lorsqu'il est correctement monté et entretenu, empêche la pièce de reculer vers l'avant de la scie lors d'une refente.

**Arbre**- Axe sur lequel la lame ou l'outil coupant est monté.

**Coupe en biseau**- Opération de coupe effectuée avec la lame inclinée

**Coupe combinée en onglet**- Opération de coupe simple qui combine un réglage de coupe en onglet et un réglage de coupe en biseau

**Coupe à contre-fil** -- Opération de coupe effectuée perpendiculairement au fil du bois.

**Rainure**- Coupe incomplète produisant une encoche à bords droits traversant la pièce ou non.

**Panneau-Peigne** - Panneau de bois aidant à contrôler et à guider la pièce d'une façon plus sûre en la maintenant contre la table ou le guide lors d'une refente.

**Coupe A Main Levée** -- Coupe effectuée sans l'aide du guide, du guide d'onglet, d'un système de fixation, d'un serre-joint ou d'un autre moyen approprié empêchant la pièce de basculer pendant la coupe

**Gomme**-Résidu collant provenant de la sève des produits du bois

**Déviations** -Désalignement de la lame. Cette Déviation peut entraîner des rebonds ou le blocage de la machine, faire forcer le moteur, provoquer un échauffement excessif de la pièce ou faire que la pièce de fende

**Trait de scie**- Matériau enlevé par la lame dans une coupe complète ou fente produite par la lame dans une coupe partielle ou incomplète.

**Rebond** - Accrochage et rejet incontrôlé d'une pièce vers l'avant de la scie. Associé à la fermeture du trait de scie par la pièce et au pincement de la lame ou à la création d'une tension au niveau de la lame.

**Extrémité avant**- Extrémité de la pièce qui, lors d'une refente, entre en contact avec l'outil en premier.

**Coupe d'onglet**- Coupe d'une pièce faisant un angle différent de 90 degrés par rapport à la lame.

**Moulure**- Coupe produisant une forme spéciale sur la pièce. Utilisée pour la décoration ou l'assemblage de pièces.

**Coupe Incomplète** -Toute opération de coupe où la lame ne traverse pas l'épaisseur de la pièce.

**Bloc-poussoir** -Dispositif utilisé pour alimenter la pièce dans la scie, sauf pour la refente de pièces étroites où un poussoir doit être utilisé. Il permet également d'éloigner les mains de l'opérateur de la lame.

**Poussoir** -Dispositif utilisé pour alimenter la pièce dans la scie et éloigner les mains de l'opérateur de la lame.

**Feuilleure** -Encoche dans le bord d'une pièce

**Résine** - Substance collante à base de sève durcie.

**Refente** -Opération de coupe ou de taille en forme effectuée dans la longueur d'une pièce ou dans le sens du fil..

**Guide de refente** -Guide réglable utilisé lors des coupes en refente pour maintenir la pièce parallèle à la lame de la scie.

**Tours par minute (tr/mn)** -Nombre de tours effectués en une minute par un objet tournant. Utilisé pour mesurer la vitesse de la lame

**Trajet De La Lame De Scie** -Zone au-dessus, en dessous, sur le côté ou en avant de la lame. Pour la pièce, zone qui va être ou a été coupée par la lame.



## VOTRE SCIE À ONGLETS

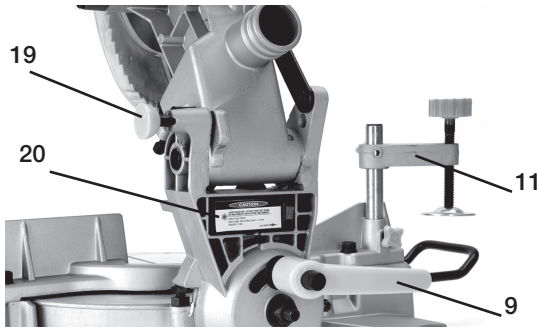
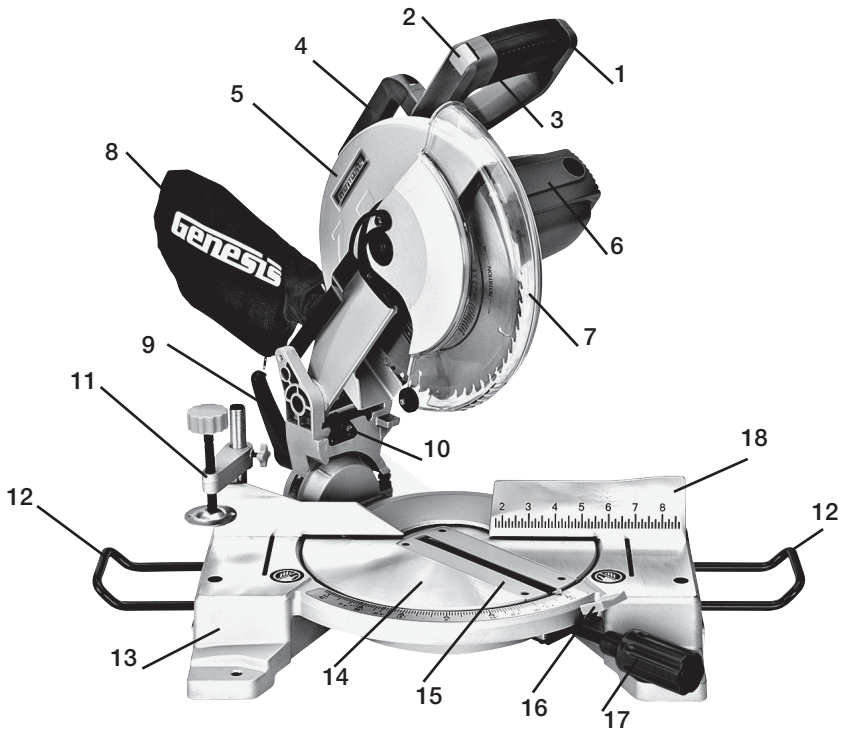


FIG 1

- |                                  |                                      |                                       |
|----------------------------------|--------------------------------------|---------------------------------------|
| 1. Poignée                       | 8. Sac à poussière                   | 15. Plaque à gorge                    |
| 2. Verrouiller l'interrupteur    | 9. Poignée de verrouillage de biseau | 16. Levier du mécanisme à crans       |
| 3. Gâchette d'interrupteur       | 10. Laser                            | 17. Poignée de verrouillage à onglets |
| 4. Poignée de transport          | 11. Fixation de la pièce             | 18. Guide d'onglet                    |
| 5. Protection de lame supérieure | 12. Extension de table               | 19. Bouton de verrouillage de la tête |
| 6. Moteur                        | 13. Base                             | 20. Compartiment des piles pour laser |
| 7. Protection de lame inférieure | 14. Table à onglets                  |                                       |

## OUVERTURE DE L'EMBALLAGE ET CONTENU

**IMPORTANT:** Grâce à des techniques modernes de production de masse, il est peu probable que l'outil est défectueux ou qu'une pièce est manquante. Si vous trouvez quelque chose de mal, ne pas faire fonctionner l'outil jusqu'à ce que les parties ont été remplacés ou la faute a été corrigée. Le fait de ne pas le faire pourrait entraîner des blessures graves.

### CONTENU DE CARTON DE PIÈCES EN VRAC:

Description	Quan	Description	Quan
Scie à onglets	1	Clé	1
Sac à Poussière	1	Piles AAA Pour le laser	2
Extensions de table	2	Manuel d'utilisation	1
Fixation de la pièce	1		

### DÉBALLAGE

1. Supprimer toutes les pièces détachées de la boîte.
2. Retirez les matériaux d'emballage autour de la scie.
3. Utilisation de la poignée de transport (4-FIG1) soulevez la scie de la boîte et placez-le sur une surface de travail.
4. La scie a été expédiée avec la scie la tête enfermée dans la position. Pour libérer la tête de la scie pousser sur le dessus de la tête de la scie, tirez sur le bouton de blocage (19-FIG1), la tourner d'un quart de tour et de laisser aller, augmenter lentement la tête de la scie.

## ASSEMBLAGE ET RÉGLAGES

**⚠ AVERTISSEMENT:** NE BRANCHEZ PAS votre scie à onglets pour coupes combinées sur le secteur avant qu'elle soit complètement assemblée, que tous les réglages nécessaires soient faits, et que le manuel d'utilisation ait été lu et assimilé.

**⚠ AVERTISSEMENT:** Vérifiez que l'outil est arrêté et débranché de la prise secteur avant de vous servir de l'outil. Ne pas le débrancher peut permettre un démarrage involontaire, pouvant causer de sérieuses blessures corporelles.

Votre scie à onglets sort d'usine complètement réglée et ne nécessite qu'un assemblage mineur pour être opérationnelle.

### MONTAGE DE LA SCIE

**⚠ AVERTISSEMENT:** Toujours s'assurer que la scie à onglets est solidement fixé à un établi ou un support à onglets approuvé. Le non respect de cet avertissement peut entraîner des blessures graves

La scie à onglets doit être monté de façon permanente à une surface solide de support tels que établi. Quatre trous de boulons ont été fournis dans le socle de la scie à cet effet. Chacun des quatre trous de montage doit être solidement boulonné à l'aide 3/8 po boulons de la machine, rondelles et écrous hexagonaux (non inclus). Après le montage en toute sécurité de la scie, vérifier soigneusement le plan de travail afin de s'assurer qu'aucun mouvement peut se produire pendant l'utilisation. Si tout basculement, coulissant, ou de la marche est à noter. Fixez le plan de travail au sol avant l'opération.

### POIGNÉE DE VERROUILLAGE À ONGLETS (FIG 2)

Pour installer la poignée de verrouillage Onglets (17), visser l'extrémité filetée de la poignée de verrouillage à onglets dans le trou fileté sous la table. Tourner dans le sens horaire pour serrer.

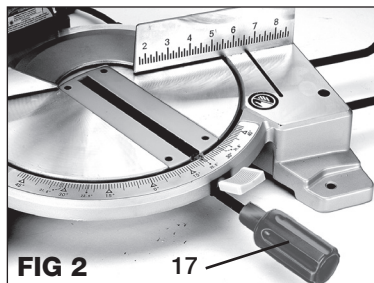


FIG 2

17

## PORT DE POUSSIÈRE & SAC A POUSSIERE (FIG 3)

La scie a une 1-1/2 po port de poussière (1) à l'arrière de la protection de la lame supérieure. Un système de collecte de poussière peut être connecté à ce port pour aider à enlever la sciure de la zone de travail.

Un sac à poussière (2) est fourni pour être utilisé avec votre scie à onglets. Il est installé par-dessus le guide de poussière situé à l'arrière de la protection de lame supérieure. Pressez les deux attaches métalliques pour ouvrir l'embouchure du sac et le glisser sur la guide de poussière. Relâchez la pression sur les attaches et le collier métallique d'ouverture de sac doit s'enclencher dans les rainures du guide de poussière.

Le sac à poussière doit être vérifié souvent, et s'il est plus qu'à moitié plein il faut l'enlever simplement par la manœuvre inverse que pour la procédure d'installation. Mettez au rebut la poussière de sciage accumulée dans ce sac et remettez le sac en place avant de reprendre l'utilisation de la scie à onglets.

## EXTENSIONS DE TABLE (FIG 4)

Votre scie est livré avec deux extensions de table. (1). Il peut être installé dans la gauche ou du côté droit de la base de scie.

### Pour installer les extensions de table

1. Desserrez la vis de verrouillage pour la extension (2).
2. Insérer les extrémités des prolongements de table dans les trous (3) dans le côté de la base et ajuster les extensions à la longueur désirée.
3. Fixez les extensions en serrant la vis de verrouillage d'extension.

FIG 3

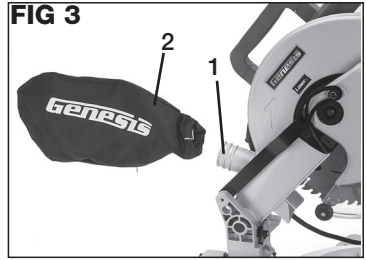
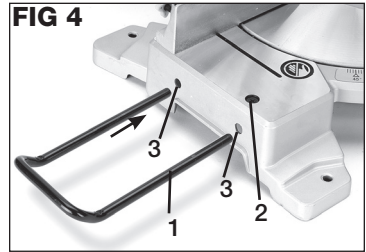


FIG 4



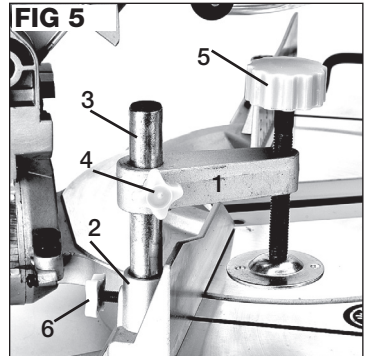
## FIXATION DE LA PIÈCE (FIG 5)

**⚠ AVERTISSEMENT:** Dans certaines opérations, la fixation de la pièce peut interférer avec le fonctionnement de l'ensemble de protection de lame. Assurez-vous toujours qu'il n'y a pas cette interférence avec la protection de lame avant de commencer toute opération de coupe afin de réduire les risques de sévères blessures par défaut de protection.

Cette scie à onglets est équipée d'une fixation de pièce (1). Le travail de fixation peut être positionné dans les trous de montage fournis (2) à la base, derrière la guide d'onglet à droite et à gauche de la tête de coupe. Insérer la colonne de serrage (3) dans le trou de montage (2). Fixez en place en serrant la vis (6). Utilisation du bouton de verrouillage de serrage (4) à fixer rapidement la pince en position. Utilisation de la pince serrer la vis (5) pour fixer des pièces contre la table de coupe selon les besoins, en particulier des petites pièces.

La fixation de la pièce permet un meilleur contrôle en maintenant la pièce travaillée sur le guide ou la table de la scie à onglets. Elle permet aussi d'éviter que la pièce ne dérive vers la lame de scie. C'est très utile quand pour des coupes à onglets combinées.

FIG 5



**REMARQUE:** Suivant l'opération de coupe et la taille de la pièce travaillée, il peut être nécessaire d'utiliser un serre-joint en C à la place de cette fixation pour maintenir la pièce durant sa coupe.

## REPLACEMENT DE LA LAME DE SCIE (FIG 6, 7, 8, 9)

**⚠ AVERTISSEMENT:** Assurez-vous que l'outil est arrêté et débranché de la prise secteur avant toute intervention sur l'outil.

**⚠ AVERTISSEMENT:** Utilisez des lames de scie de diamètre 254 mm (10 po.), spécifiés pour des vitesses égales ou supérieures aux tours/minutes de la plaque signalétique de la scie à onglets.

**⚠ AVERTISSEMENT:** N'utilisez que des lames conçues pour de la coupe en travers.

**⚠ AVERTISSEMENT:** N'utilisez pas de lames à trait fin avec creux de dents profonds qui peuvent fléchir et toucher les protections de lame ou donner des coupes de mauvaise qualité dans la pièce travaillée.

### Remplacement de la lame

1. Débranchez la scie .
2. Soulever le protection de lame inférieure (3). Desserrer la vis cruciforme (1) sur la couverture boulon de la lame.
3. Soulever le couvercle boulon de lame (2) pour exposer le boulon de lame.
4. Appuyez sur le bouton de verrouillage de broche (7) et faites tourner la lame jusqu'à ce que les verrous de la broche.
5. Utilisation de la clé de lame (4) fournie, desserrer le boulon de la lame (5) en le tournant vers la droite. Retirez le boulon de la lame.
6. Retirez la bride de la lame extérieure (6).
7. Retirez la vieille lame hors de la scie.

**REMARQUE:** Une rondelle de lame peut être utilisé pour la lame avec trou d'axe pouces plus grand que 5/8 po.

8. Monter la nouvelle lame avec précaution sur la broche, en étant sûr que la flèche directionnelle sur la surface de la lame correspond à la flèche sur le protection de lame supérieur.
9. Remplacez la bride de la lame externe et le boulon de la lame.
10. Appuyez et maintenez enfoncé le bouton de verrouillage de broche tout en serrant la vis de blocage de lame en toute sécurité avec la clé fournie dans le sens antihoraire.
11. Abaisser la protection de lame inférieure et le couvercle boulon de lame dans sa position initiale.
12. Resserrer la vis cruciforme fixant le couvercle boulon de la lame.
13. Assurez-vous le blocage de broche a publié et la lame tourne librement avant de brancher l'outil et faire une coupe.

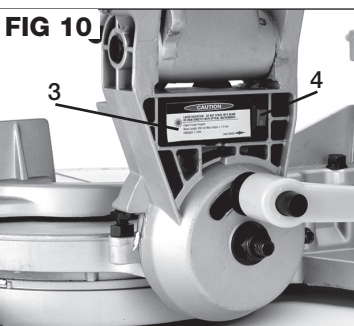
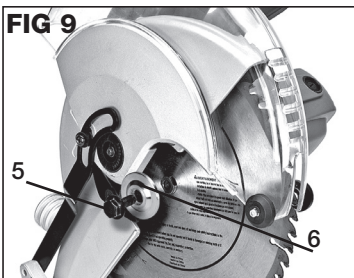
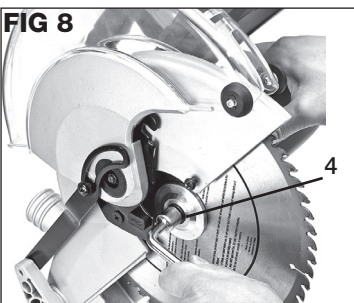
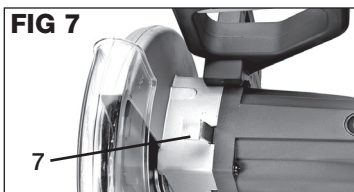
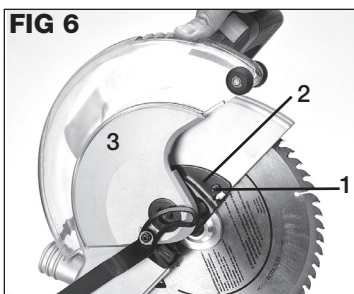
### ALIGNEMENT DU LASER (FIG 10,11)

**⚠ AVERTISSEMENT:** Éclairage laser – ne regardez pas directement dans le faisceau, dans l'ouverture, ou par réflexion dans une surface faisant miroir.

**⚠ AVERTISSEMENT:** Évitez l'exposition – la lumière laser est émise de l'ouverture dans la protection arrière. Tout réglage ou changement de procédure autres que ceux indiqués peuvent résultat une exposition dangereuse ou rayon laser.

**⚠ AVERTISSEMENT:** Ne démontez pas le module de laser.

**⚠ AVERTISSEMENT:** l'utilisation de contrôles ou réglages ou l'exécution de procédures autres que ce qui est spécifié ici peuvent conduire à une dangereuse exposition à la lumière du laser.



La scie à onglets est équipée d'un laser à pile. Le compartiment de pile à laser (3) est situé à l'arrière de la scie. Voir Figure 10. Deux piles AAA (fournies) sont nécessaires pour faire fonctionner le laser. Le laser interrupteur marche / arrêt (4-figure 10) est situé sur le compartiment à piles.

L'alignement du faisceau laser a été fait à l'usine et il est fixé sur le centre de la ligne de lame ou de repérage. Une retouche de réglage peut être nécessaire avant l'utilisation du fait des effets du transport et de la manutention. Vous avez aussi la possibilité de régler la ligne projetée par le laser où vous voulez. Vous pouvez souhaiter qu'elle soit à gauche ou à droite de la lame, ou tout droit sur une ligne de coupe tracée. Là où vous décidez finalement d'aligner le laser en relation avec le chemin de coupe de la lame de scie déterminera comment vous alignez la ligne de coupe.

De chaque côté du laser il y a deux vis (2) qui quand elles sont desserrées permettent le mouvement vers la gauche ou la droite. Faites attention à ce que de petits réglages peuvent entraîner des changements importants dans le chemin du laser. Avec de la patience et de la pratique vous serez à même de placer la ligne de laser en position idéale pour votre style de lame pour l'alignement de la ligne de coupe.

## RÉGLAGE DE PROFONDEUR DE COUPE (FIG 12)

**⚠ AVERTISSEMENT:** vérifiez que l'outil est arrêté et débranché de la prise secteur avant de vous servir de l'outil. Ne pas le débrancher peut permettre un démarrage involontaire, pouvant causer de sérieuses blessures corporelles.

**REMARQUE:** Votre scie à onglets est livrée bien réglée pour la profondeur de coupe si vous utilisez la lame installée en usine pour un fonctionnement normal.

La course vers le bas, ou profondeur de coupe, de la lame de scie peut être contrôlée pour éviter un contact avec les surfaces métalliques de la scie, pour assurer que la lame coupe complètement au travers de la pièce travaillée, et permettre des réglages de profondeur de coupe pour des opérations spéciales.

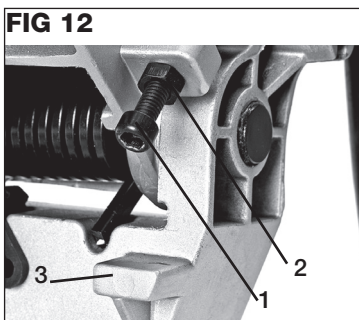
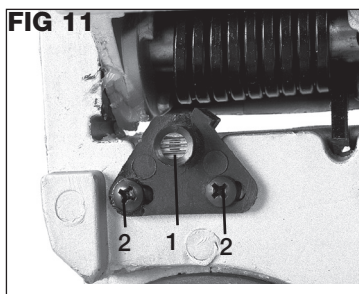
### Pour régler la profondeur de coupe de lame de scie à onglets

**REMARQUE:** C'est un réglage d'usine, et en général il n'y a pas à y toucher (Cette scie n'est d'ailleurs pas livrée avec les outils nécessaires pour le faire par la procédure qui suit.)

1. Localiser la profondeur de coupe de réglage de boulon de montage (1, 2), sur le côté droit de la port de poussière.
2. Si le bras de scie est verrouillé en position basse, relâchez-le en tournant le bouton de verrouillage d'un quart de tour.
3. Desserrez les contre-écrou de jambage (2) des aiguilles d'une montre plusieurs tours. En utilisant la clé Allen de 5 mm, serrer ou desserrer pour régler l'arrêt boulon (1). Rotation des aiguilles d'une montre augmentera la profondeur de coupe, dans le sens antihoraire de la rotation plus faible profondeur de coupe.
4. Pendant que vous abaissez la lame de scie, faites-la tourner pour être sûr de ne pas toucher les surfaces métalliques de la machine et permettra de la coupe au travers des pièces à travailler appuyant contre le guide.
5. Resserrez l'écrou à jambage tout en maintenant régler l'arrêt boulon en place.
6. Avant chaque utilisation de la scie à onglets, avec la scie débranchée, abaissez la lame et faites-la tourner à la main pour confirmer qu'elle ne touche pas de surfaces de la scie à onglets.

## MISE D'ÉQUERRE DE LA LAME PAR RAPPORT AU GUIDE (FIG 13, 14)

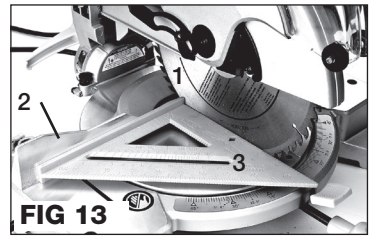
**⚠ AVERTISSEMENT:** Vérifiez que l'outil est arrêté et débranché de la prise secteur avant de vous servir de l'outil. Ne pas le débrancher peut permettre un démarrage involontaire, pouvant causer de sérieuses blessures corporelles.



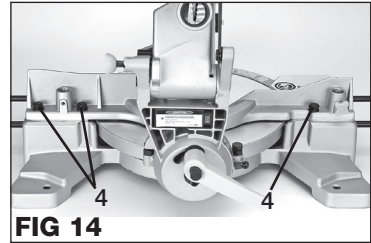


1. Débranchez la scie à onglets.
2. Desserrer la poignée de verrouillage d'onglet. Tournez la table à onglets et passer de 0° position d'arrêt à onglets.

**(REMARQUE:** Vérifiez si le pointeur de l'onglet rouge (1) des points à 0° sur l'échelle de mitre. Si ce n'est pas, desserrer la vis du pointeur mitre, régler le pointeur pour pointer avec précision à 0° graduation, serrer la vis du pointeur.)



3. Serrez bien la poignée de verrouillage d'onglet.
4. Tirez complètement vers le bas le bras de scie et passez le bouton de blocage sur position de transport, ce qui bloque la lame et le bras en position basse.
5. Posez une petite équerre de charpentier (3) ou une équerre à chapeau sur la table d'onglet. Placez une branche de l'équerre contre le guide (2) et glissez l'autre contre une partie de la lame de scie (assurez-vous que l'équerre touche la partie plate de la lame et pas ses dents).
6. Vérifiez que le bord de l'équerre et la lame de scie sont parallèles, toute la longueur du bord d'équerre étant contre la lame.
7. Si la partie avant ou arrière de lame fait un angle s'écartant de l'équerre, il faut régler le guide.
8. En utilisant une clé Allen de 5mm, desserrez les trois boulons (4) qui maintiennent le guide sur la table fixe de la scie.
9. Tout en maintenant une branche de l'équerre contre le guide, déplacez doucement le guide (2) vers la gauche ou la droite jusqu'à ce que la lame de scie soit parallèle avec l'équerre.
10. Soigneusement serrer les trois boulons (4) et vérifiez l'alignement de la lame comme dans les étapes 5 et 6.



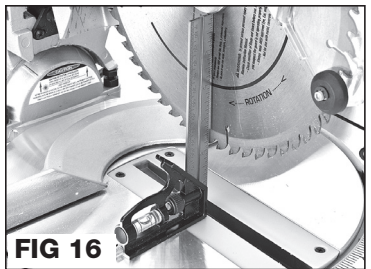
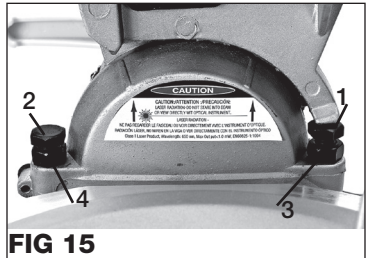
### RÉGLAGE DES ARRÊTS DE BISEAU À 0° ET 45° (FIG 15, 16)

**REMARQUE:** TC'est un réglage d'usine, et en général il n'y a pas à y toucher (Cette scie n'est d'ailleurs pas livrée avec les outils nécessaires pour le faire par la procédure qui suit.)

**⚠ AVERTISSEMENT:** Vérifiez que l'outil est arrêté et débranché de la prise secteur avant de vous servir de l'outil. Ne pas le débrancher peut permettre un démarrage involontaire, pouvant causer de sérieuses blessures corporelles.

**Pour régler l'arrêt fixe de biseau à 0°**

1. Débranchez la scie à onglets.
2. Alignez la table d'onglets 0° et verrouillez le bras de scie dans la position de transport.
3. Desserrez la poignée de verrouillage de biseau à l'arrière de la scie, régler le bras de la scie à 0° de butée de biseau. (lame de 90° vers la table de coupe)
4. Placez une équerre combinée sur la table d'onglet et la partie plate de la lame de scie. (en vous assurant que l'équerre ne touche pas les dents de lame)
5. Faites tourner lentement la lame à la main en vérifiant l'alignement de l'équerre avec la lame à différents points. Le bord de l'équerre et la lame doivent être parallèles, si la partie haute ou basse de lame fait un angle s'écartant de l'équerre, un réglage est nécessaire.
6. Le boulon de réglage du 0° biseau d'arrêt (1) est situé sur la partie inférieure droite de la jointure en biseau. En utilisant une clé de 13 mm, dévisser l'écrou de blocage (3).
7. Utilisation une clé de 13 mm pour ajuster la 0° biseau d'arrêt vis de réglage et de telle sorte que la lame soit en alignement avec le carré.
8. Si nécessaire, desserrez le pointeur indicateur de biseau d'angle et de l'ajuster à pointer avec précision à la ligne 0°, puis resserrer la vis.





Pour régler l'arrêt fixe de biseau à 45° à gauche. Suivez les directions pour le réglage de l'arrêt fixe de biseau de 0°, à l'exception la position du bras de la scie à un biseau à 45° vers la gauche. Le boulon 45° à gauche biseau d'arrêt de réglage (2) est situé sur le côté gauche de charnon biseau.

## FONCTIONNEMENT

**⚠ AVERTISSEMENT:** Vérifiez que l'outil est arrêté et débranché de la prise secteur avant de vous servir de l'outil. Ne pas le débrancher peut permettre un démarrage involontaire, pouvant causer de sérieuses blessures corporelles.

**⚠ AVERTISSEMENT:** Toujours porter des lunettes de sécurité ou des lunettes de sécurité avec écrans latéraux lors de l'utilisation des outils. Ne pas le faire pourrait entraîner des objets peuvent être projetés dans les yeux, causant des blessures

### TRANSPORT DE LA SCIE

1. Assurez-vous toujours que la scie est abaissée et verrouillée.
2. Assurez-vous que l'onglet table est verrouillé, biseau est verrouillé à 0° position.
3. Lever la scie seulement par la poignée de transport ou à l'extérieur des pièces moulées.

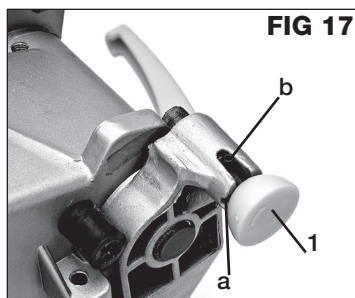
**⚠ AVERTISSEMENT:** Transportez toujours la scie à onglets en position verrouillée basse, en la transportant par sa poignée sur le bras de coupe. NE soulevez PAS et ne déplacez pas la scie à onglets en utilisant la poignée d'interrupteur, vous risqueriez ainsi un désalignement des réglages d'onglet et de biseau.

### VERROUILLAGE ET DÉVERROUILLAGE DE LA TÊTE DE COUPE (FIG 17)

Quand vous entreposez ou transportez la scie à onglets sa tête de coupe doit être verrouillée en position basse.

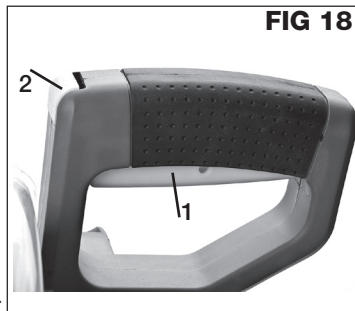
#### Pour verrouiller la tête de coupe

1. Abaissez complètement la tête de coupe.
2. Tirez sur le bouton de blocage (1) vers l'extérieur de son garé " Déverrouillage" (b) position.
3. Tourner le bouton de blocage 1/4 de tour, puis relâchez-le sur " Verrouillage" (a) position.



#### Pour déverrouiller la tête de coupe

1. Appuyez légèrement sur la tête de coupe.
2. Tirez sur les bouton de blocage (1) vers l'extérieur de son " Verrouillage" position (a).
3. Tourner le bouton de blocage 1/4 de tour, puis relâchez-le dans le stationnés ou de "Déverrouillage" la position (b).
4. Lentement relevez la tête de coupe en position de travail.



### DÉMARRAGE ET ARRÊT DE LA SCIE À ONGLETS (FIG 18)

**REMARQUE:** La scie est équipée avec verrouiller l'interrupteur pour fournir en toute sécurité supplémentaire.

Pour démarrez votre scie à onglets, saisissez fermement la poignée supérieure de la scie, utilisez votre pouce pour appuyer sur Verrouiller l'interrupteur (2), puis appuyez sur la gâchette (1).

Pour l'arrêter, relâchez complètement cette gâchette d'interrupteur.

**⚠ AVERTISSEMENT:** Après avoir terminé une coupe, relâchez la gâchette d'interrupteur pour activer le frein électrique de lame. Maintenez la tête de coupe en bas jusqu'à ce que la lame arrive à l'arrêt total avant de la relever en position de départ. Une lame de scie qui tourne encore peut être dangereuse.

**⚠ AVERTISSEMENT:** Le couple résultant de l'activation du frein électrique de lame peut desserrer le boulon d'arbre. De temps en temps vérifiez ce boulon d'arbre et resserrez-le si nécessaire.

## ZONE DE DANGER DE LA TABLE (FIG 19)

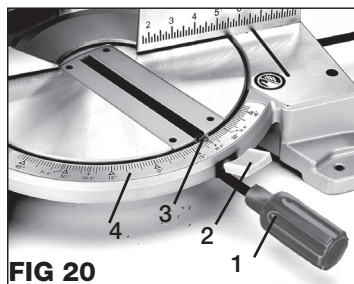
Sur la table fixe, de chaque côté de la table d'onglets rotative, il y a un symbole « mains » gravé dans la table. La zone entre les deux symboles de mains est appelée « Zone de danger » et l'opérateur de la scie à onglets ne devra jamais y placer ses mains quand la scie est activée.

**⚠ AVERTISSEMENT:** Gardez vos mains hors de la « Zone de danger » et hors de portée du chemin de la lame de scie. Utilisez le dispositif de fixation fourni ou d'autres moyens d'immobilisation pour maintenir la pièce à travailler en place avant d'exécuter une coupe avec la scie à onglets.



## ROTATION DE LA TABLE À ONGLETS (FIG 20)

Cette scie à onglets avec précision couper n'importe quel angle des droites 90° coupés à 45° gauche et 45° à droite. Pour faire pivoter la table de coupe, desserrer la poignée de verrouillage à onglets (1) un ou deux tours dans le sens antihoraire, Utilisez votre pouce pour appuyer sur le levier de détente (2) pour libérer, puis faites pivoter la table de coupe à l'angle désiré en utilisant la poignée de verrouillage à onglets (1). Lorsque l'angle désiré est atteint, tournez la poignée de verrouillage à onglets (1) dans le sens horaire pour verrouiller la table de coupe en place.



**REMARQUE:** Cette scie à onglets a 9 arrêts à onglets positifs, 0° pour 90° de coupe, à gauche de 15°, 22,5°, 30°, 45°, à droite -15°, 22,5°, 30°, 45° pour rapide la mise en commun des angles d'onglet.

**CAUTION:** Always tighten the miter lock knob to secure the miter table in position before cutting with the miter saw.

## POINTEUR ET ÉCHELLE (FIG 20)

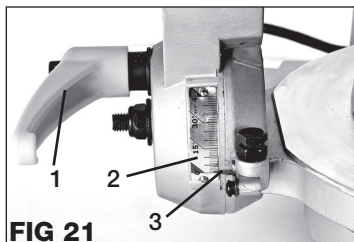
Un pointeur (3) en forme de flèche est situé à l'extrémité avant de la plaque d'insert de la scie à onglets. Chaque ligne de l'échelle d'onglet (4) représente 1°. Quand la table à onglets est pivotée le pointeur se déplace d'une ligne à l'autre le long de l'échelle d'onglets, d'où le changement d'angle de coupe par incréments de un degré.

## BASCULEMENT DE LA TÊTE DE COUPE POUR LES COUPES EN BISEAU (FIG 21)

Votre scie à onglets 90° jusqu'à un angle de 45° à GAUCHE.

Pour positionner la tête pour coupe en biseau à gauche, desserrez la poignée de verrouillage de biseau (1) à l'arrière de la scie à onglets, basculez le bras de coupe à l'angle désiré, puis resserrez la poignée de verrouillage de biseau.

Pour positionner la tête pour coupe en biseau à droite, inclinez à 90° bloc d'arrêt (2) arrêt position haute. Desserrez la poignée de verrouillage de biseau (1), incliner le bras de coupe droite à l'angle désiré, puis serrer la poignée de verrouillage.



Comme pour l'échelle d'onglets (3), chaque ligne sur l'échelle de biseaux représente un degré d'orientation. Le réglage de l'angle est indiqué par un pointeur fixe rouge, et l biseaux.

Des arrêts fixes sont fournis à 0°, 45° à gauche pour des réglages rapides.

## APPLICATION

### FONCTIONNEMENTS HABITUELS DE LA SCIE À ONGLETS POUR COUPES COMBINÉES

**⚠ AVERTISSEMENT:** Vérifiez que l'outil est arrêté et débranché de la prise secteur avant de vous servir de l'outil. Ne pas le débrancher peut permettre un démarrage involontaire, pouvant causer de sérieuses blessures corporelles.

**⚠ AVERTISSEMENT:** Assurez-vous que la scie à onglets est correctement boulonnée ou fixée sur un établi ou une surface de travail appropriée avant d'effectuer une quelconque opération de coupe. Sinon vous risquez une perte de contrôle de la machine, avec potentiellement des blessures corporelles.

**⚠ AVERTISSEMENT:** Si pour maintenir solidement la pièce à travailler vous devez avoir votre main dans la « zone de danger » de la machine, fixez la pièce en place par un dispositif et ramenez votre main en position sûre avant de procéder à la coupe.

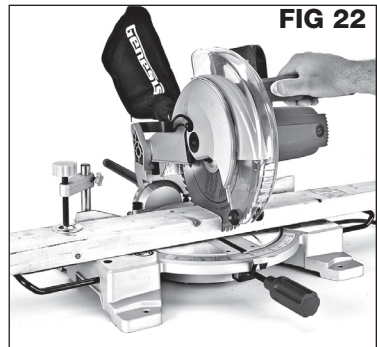
Quel que soit le type de coupe réalisé avec votre scie à onglets, les règles de base qui suivent sont à utiliser, sauf indication contraire spécifique.

1. Vérifiez et confirmez que le bras de coupe (position de biseau) et la table rotative (position d'onglet) sont sur les réglages corrects et que les poignées de réglage associées sont bien verrouillées en place.
2. Marquez la position de la coupe désirée dans la pièce de surface pour assurer une bonne lame et alignement au laser.
3. Placez la pièce à travailler sur la table de la scie, alignez la lame et/ou l'éclairage laser avec la ligne de coupe tracée, puis positionnez-la fermement contre le guide et maintenez-la en place à la main ou avec une fixation. Si vous utilisez vos mains assurez-vous qu'elles ne seront pas dans la « Zone de danger ». N'essayez jamais de couper à mains libres, ou de couper une pièce non fermement maintenue contre guide ou table!
4. Mettez la scie en marche, et laissez sa lame atteindre sa pleine vitesse. Abaissez lentement la tête de coupe dans la pièce à travailler et effectuez la coupe à un rythme régulier.
5. Quand la coupe est terminée, relâchez la gâchette d'interrupteur et laissez la lame arrêter totalement sa rotation avant de relever la lame et la tête de coupe hors de la coupe effectuée.

### COUPE EN TRAVERS À ONGLET (FIG 22)

Des coupes en travers sont celles réalisées au travers du grain de la pièce, avec une coupe droite effectuée avec les tables d'onglet et de biseau réglées sur 0°. Une coupe en travers à onglet est réalisée quand la table d'onglets est réglée sur un angle autre que 0°.

1. Mesurez et marquez la pièce à travailler avec la ligne de coupe voulue. Marquez-la de chaque côté de la ligne de coupe en indiquant quel est le côté de chute et lequel constitue la pièce finale voulue.
2. Déverrouillez la table d'onglets rotative, desserrez le bouton de verrouillage d'onglet.
3. Utilisez la poignée de d'onglets pour tourner la table, vers la gauche ou la droite, jusqu'à l'angle de coupe voulu.
4. Placez la pièce à travailler sur la table de scie contre le guide. Allumez la source d'éclairage laser.
5. Déplacez la pièce vers la gauche ou la droite pour aligner la ligne de coupe avec la lame de scie et la lumière laser. Puis fixez la pièce en place, en la tenant à la main pour les grosses pièces ou en utilisant un dispositif de fixation pour les petites pièces.
6. Après confirmation des réglages de la scie, et fixation de la pièce, mettez la scie en marche et effectuez la coupe.



### COUPE EN BISEAU (FIG 23)

Une coupe en biseau est réalisée en coupant au travers du grain de la pièce avec la lame inclinée ou penchée par rapport à la pièce. Quand vous effectuez une coupe en biseau directe, la table d'onglet est fixée en position 0°, et la lame inclinée dans la position entre 0° et 45° d'inclinaison à GAUCHE.

1. Mesurez et marquez la pièce à travailler avec la ligne de coupe voulue. Marquez-la de chaque côté de la ligne de coupe en indiquant quel est le côté de chute et lequel constitue la pièce finale voulue.
2. Fixez et verrouillez la table rotative d'onglets sur 0°.
3. Desserrez la poignée de verrouillage de biseau et déplacez le bras de coupe à gauche jusqu'à l'angle de biseau voulu comme indiqué par le pointeur sur l'échelle de biseaux. Serrez la poignée de verrouillage de biseau.
4. Placez la pièce à travailler sur la table de scie contre le guide. Allumez la source d'éclairage laser.
5. Déplacez la pièce vers la gauche ou la droite pour aligner la ligne de coupe avec la lame de scie et la lumière laser. Puis fixez la pièce en place, en la tenant à la main pour les grosses pièces ou en utilisant un dispositif de fixation pour les petites pièces.
6. Après confirmation des réglages de la scie, et fixation de la pièce, mettez la scie en marche et effectuez la coupe.

### COUPE À ONGLET COMBINÉE (FIG 24)

Une coupe à onglet combinée est réalisée en utilisant à la fois un réglage d'onglet et un réglage d'inclinaison de lame. Ce type de coupe est couramment utilisé pour des encadrements d'illustrations, des boîtes à cotés inclinés, des coupes de charpente de toit et des moulures de garnissage.

Les réglages de coupe combinée sont constituées avec des angles d'onglet et de biseau interdépendants, donc des coupes précisément comme on le désire sont délicates à obtenir. Quand un angle d'onglet change, il affecte le réglage d'angle de biseau, et vice versa. Il peut falloir de nombreux réglages et de nombreuses coupes d'essai pour obtenir le résultat voulu. Quand des coupes combinées sont nécessaires sur un projet, les réglages sont en général fournis, issus de manuels spécialisés avec des paramètres calculés à l'avance, des tableaux publiés, etc. Aussi vous pouvez vous référer au tableau à Coupe d'onglets Composés incluses dans le manuel.

1. Fixez les angles d'onglet et de biseau comme décrit précédemment et verrouillez bien les poignées respectives.
2. Pour des coupes d'essai, utilisez des chutes de matériau afin de confirmer si vos angles d'onglet et de biseau sont fixés correctement.
3. Après la confirmation que vos angles d'onglet et de biseau sont bons, effectuez les coupes combinées comme décrit dans les sections séparées précédentes concernant les coupes à onglet ou en biseau.

### COUPE DE PLINTHES

Les plinthes peuvent être coupées en utilisant deux méthodes : appui verticalement contre le guide ou pose à plat sur la table d'onglet. L'utilisation de la méthode verticale est limitée par les capacités en hauteur de votre scie à coupes combinées.

#### Coupe à plat ou horizontale:

1. Posez le dos de la plinthe à plat sur la table à onglets, avec le bas de la plinthe placé contre le guide.
2. Réglez l'angle d'onglet sur 0°.
3. Allumez le laser et réglez l'angle de biseau sur la valeur voulue, comme 45° pour une moitié d'angle de mur à 90°.
4. Alignez la ligne de coupe sur la pièce à travailler avec la lame et la lumière laser.
5. Confirmez les réglages de la scie, mettez-la en marche et effectuez la coupe comme détaillé plus haut.

#### Coupe verticale:

1. Posez la plinthe droite avec son dos contre le guide et sa base sur la table d'onglet.
2. Réglez l'angle de biseau sur 0°.
3. Allumez le laser et réglez la table d'onglet sur l'angle voulu, comme 45° pour une moitié d'angle de mur à 90°.
4. Alignez la ligne de coupe sur la pièce à travailler avec la lame et la lumière laser.
5. Confirmez les réglages de la scie, mettez-la en marche et effectuez la coupe comme détaillé plus haut.

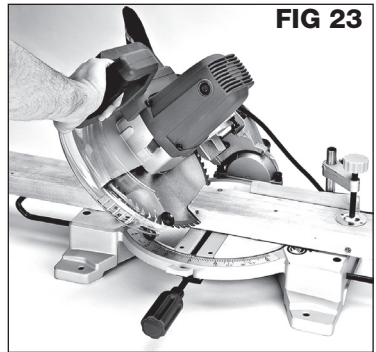


FIG 23

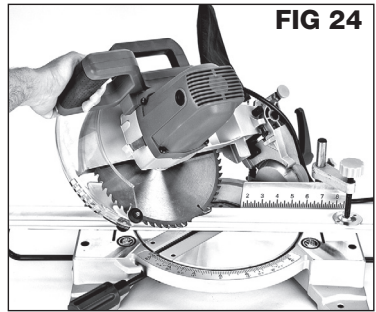


FIG 24

## COUPE DE MOULURES DE COURONNEMENT

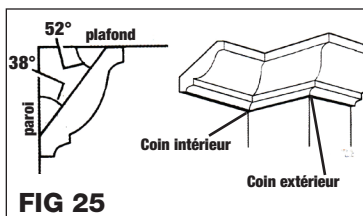
Votre scie combinée est l'outil idéal pour couper de la moulure de couronnement, qui relie les limites de cloisons et plafond. Le style le plus courant de moulure de couronna la cloison. Pour une installation avec des raccords précis dans les coins de la pièce, des réglages extrêmement précis d'onglet et de biseau sont nécessaires. Comme la plupart les instructions qui suivent concernent des moulures de 52°/38° pour les adapter aux coins à 90°, avec la moulure posée à plat sur la table de la scie.

Il existe deux méthodes pour couper les moulures couronne.

- 1) Coupe de moulures de couronnement plat sur la table à onglets.
- 2) Coupe de moulures de couronnement verticalement incliné contre le guide d'onglet.

### Coupe de moulures de couronnement plat sur la table à onglets

Depuis les coins les plus courants rencontrés lors de l'utilisation mesure moulures 90° à l'intérieur et à l'extérieur, les instructions suivantes sera pour la coupe de 52° / 38° pour s'adapter à la moulures de couronnement angles à 90° avec le moulure à plat sur la table de scie.



COIN INTÉRIEUR	COIN EXTÉRIEUR
<p>côté gauche,</p> <ol style="list-style-type: none"> <li>1. Bord supérieur de moulure contre le guide</li> <li>2. Table d'onglet réglée à 31.62° à droite</li> <li>3. Angle de biseau fixé à 33.85° à gauche</li> <li>4. Conserver le morceau à gauche de la coupe</li> </ol>	<p>côté gauche</p> <ol style="list-style-type: none"> <li>1. Bord supérieur de moulure contre le guide</li> <li>2. Table d'onglet réglée à 31.62° à gauche</li> <li>3. Angle de biseau fixé à 33.85° à gauche</li> <li>4. Conserver le morceau à droite de la coupe</li> </ol>
<p>côté droit</p> <ol style="list-style-type: none"> <li>1. Bord inférieur de moulure contre le guide</li> <li>2. Table d'onglet réglée à 31.62° à gauche</li> <li>3. Angle de biseau fixé à 33.85° à gauche</li> <li>4. conserver le morceau à gauche de la coupe</li> </ol>	<p>côté droit</p> <ol style="list-style-type: none"> <li>1. Bord supérieur de moulure contre le guide</li> <li>2. Table d'onglet réglée à 31.62° à droite</li> <li>3. Angle de biseau fixé à 33.85° à gauche</li> <li>4. Conserver le morceau à droite de la coupe</li> </ol>

**REMARQUE:** Quand vous coupez et installez des moulures de couronnement, gardez à l'esprit que les angles d'onglet et de biseau impliqués sont extrêmement précis alors même que les murs que vous allez équiper ne se joignent pas exactement à 90°. De ce fait préparez-vous à faire de nombreuses coupes d'essai avec des chutes de moulure pour affiner vos réglages pour chaque coin spécifique de murs à équiper.

Pour couper les moulures de couronnement plate pour l'autre coin, puis 90°, s'il vous plaît se référer à "[Angles d'onglet pour une moulures de couronnement](#)" tableau.

### Coupe de moulures de couronnement verticalement incliné contre le guide d'onglet

Toujours utiliser un guide moulures couronnées lors de la coupe moulures couronnées incliné contre la clôture. Lorsque moulures couronnées de coupe inclinée contre la barrière ne nécessite pas de réglages en biseau. De petits changements dans l'angle d'onglet peut être fait sans affecter l'angle de biseau. Lorsque vous utilisez cette méthode, la scie peut être rapidement et facilement ajusté pour les coins qui ne sont pas 90° (carré).

Lors de la coupe de moulures couronnées dans cette méthode, le bas de la moulure va à l'encontre de la clôture. Pensez à la table de la scie étant le plafond, et la clôture comme étant le mur. Angulaires "flats" sur le dos de la moulure doit reposer entièrement sur la clôture et la base de la scie.

Pour la coupe de moulures couronnées pour 90° angle. Voir l'instruction suivante.

COIN INTÉRIEUR	COIN EXTÉRIEUR
<p>côté gauche</p> <ol style="list-style-type: none"> <li>1) Table d'onglet réglée à 45° à droite</li> <li>2) Conserver le morceau à droite de la coupe</li> </ol>	<p>côté gauche</p> <ol style="list-style-type: none"> <li>1) Table d'onglet réglée à 45° à gauche</li> <li>2) Conserver le morceau à droite de la coupe</li> </ol>
<p>côté droit</p> <ol style="list-style-type: none"> <li>1) Table d'onglet réglée à 45° à gauche</li> <li>2) Conserver le morceau à gauche de la coupe</li> </ol>	<p>côté droit</p> <ol style="list-style-type: none"> <li>1) Table d'onglet réglée à 45° à droite</li> <li>2) Conserver le morceau à gauche de la coupe</li> </ol>

## COUPE DE PIÈCES À TRAVAILLER TORDUES

**REMARQUE:** Il vous est recommandé de ne pas essayer de couper ces pièces tordues.

Parfois vous n'avez pas d'autre choix que d'utiliser une pièce de matériau tordu. Pour couper de telles pièces, assurez-vous de les positionner sur la table à onglets avec le côté convexe contre le guide. **NE PLACEZ PAS** leur côté concave contre le guide de la scie à onglets, car durant la coupe la pièce se replierait près de la coupe réalisée et coincerait la lame.

**⚠ AVERTISSEMENT:** Pour éviter de sérieuses blessures et un possible rebond, ne placez jamais la partie concave d'un matériau cambré ou tordu contre le guide.

### ANGLES D'ONGLET POUR UNE MOULURES COURONNÉES

Type	38°/52°	45°/45°	Type	38°/52°	45°/45°
Angle de paroi	onglet / biseau	onglet / biseau	Angle de paroi	onglet/ biseau	onglet/ biseau
67	42.93/41.08	46.89/36.13	107	24.49/27.95	27.62/24.87
68	42.39/40.79	46.35/35.89	108	24.10/27.59	27.19/24.56
69	41.85/40.50	45.81/35.64	109	23.71/27.23	26.77/24.24
70	41.32/40.20	45.28/35.40	110	23.32/26.87	26.34/23.93
71	40.79/39.90	44.75/35.15	111	22.93/26.51	25.92/23.61
72	40.28/39.61	44.22/34.89	112	22.55/26.15	25.50/23.29
73	39.76/39.30	43.70/34.64	113	22.17/25.78	25.08/22.97
74	39.25/39.00	43.18/34.38	114	21.79/25.42	24.66/22.65
75	38.74/38.69	42.66/34.12	115	21.42/25.05	24.25/22.33
76	38.24/38.39	42.15/33.86	116	21.04/24.68	23.84/22.01
77	37.74/38.08	41.64/33.60	117	20.67/24.31	23.43/21.68
78	37.24/37.76	41.13/33.33	118	20.30/23.94	23.02/21.36
79	36.75/37.45	40.62/33.07	119	19.93/23.57	22.61/21.03
80	36.27/37.13	40.12/32.80	120	19.57/23.20	22.21/20.70
81	35.79/36.81	39.62/32.53	121	19.20/22.83	21.80/20.38
82	35.31/36.49	39.13/32.25	122	18.84/22.46	21.40/20.05
83	34.83/36.17	38.63/31.98	123	18.48/22.09	21.00/19.72
84	34.36/35.85	38.14/31.70	124	18.13/21.71	20.61/19.39
85	33.90/35.52	37.66/31.42	125	17.77/21.34	20.21/19.06
86	33.43/35.19	37.17/31.14	126	17.42/20.96	19.81/18.72
87	32.97/34.86	36.69/30.86	127	17.06/20.59	19.42/18.39
88	32.52/34.53	36.21/30.57	128	16.71/20.21	19.03/18.06
89	32.07/34.20	35.74/30.29	129	16.37/19.83	18.64/17.72
90	31.62/33.86	35.26/30.00	130	16.02/19.45	18.25/17.39
91	31.17/33.53	34.79/29.71	131	15.67/19.07	17.86/17.05
92	30.73/33.19	34.33/29.42	132	15.33/18.69	17.48/16.71
93	30.30/32.85	33.86/29.13	133	14.99/18.31	17.09/16.38
94	29.86/32.51	33.40/28.83	134	14.65/17.93	16.71/16.04
95	29.43/32.17	32.94/28.54	135	14.30/17.55	16.32/15.70
96	29.00/31.82	32.48/28.24	136	13.97/17.17	15.94/15.36
97	28.58/31.48	32.02/27.94	137	13.63/16.79	15.56/15.02
98	28.16/31.13	31.58/27.64	138	13.30/16.40	15.19/14.68
99	27.74/30.78	31.13/27.34	139	12.96/16.02	14.81/14.34
100	27.32/30.43	30.68/27.03	140	12.63/15.64	14.43/14.00
101	26.91/30.08	30.24/26.73	141	12.30/15.25	14.06/13.65
102	26.50/29.73	29.80/26.42	142	11.97/14.87	13.68/13.31
103	26.09/29.38	29.36/26.12	143	11.64/14.48	13.31/12.97
104	25.69/29.02	28.92/25.81	144	11.31/14.09	12.94/12.62
105	25.29/28.67	28.48/25.50	145	10.99/13.71	12.57/12.28
106	24.78/28.31	28.05/25.19	146	10.66/13.32	12.20/11.93



## COUPE D'ONGLETS COMPOSÉS

Pour aider à faire les bons réglages, le tableau de réglage composé angle ci-dessous a été fourni. Depuis coupes composées sont les plus difficiles à obtenir la précision, faire des coupes d'essai sur le matériel de ferraille avant de faire votre coupe requis.

Angle	Nombre de côtés						
	4	5	6	7	8	9	10
0°	M-45.00° B- 0.00°	M-36.00° B- 0.00°	M-30.00° B- 0.00°	M-25.71° B- 0.00°	M-22.50° B- 2.00°	M-20.00° B- 0.00°	M-18.00° B- 0.00°
5°	M-44.89° B- 3.53°	M-35.90° B- 2.94°	M-29.91° B- 2.50°	M-25.63° B- 2.17°	M-22.42° B- 1.91°	M-19.93° B- 1.71°	M-17.94° B- 1.54°
10°	M-44.56° B- 7.05°	M-35.58° B- 5.86°	M-29.62° B- 4.98°	M-25.37° B- 4.32°	M-22.19° B- 3.81°	M-19.72° B- 3.40°	M-17.74° B- 3.08°
15°	M-44.01° B- 10.55°	M-35.06° B- 8.75°	M-29.15° B- 7.44°	M-24.95° B- 6.45°	M-21.81° B- 5.68°	M-19.37° B- 5.08°	M-17.42° B- 4.59°
20°	M-43.22° B- 14.00°	M-34.32° B- 11.60°	M-28.48° B- 8.53°	M-24.35° B- 8.53°	M-21.27° B- 7.52°	M-18.88° B- 6.72°	M-16.98° B- 6.07°
25°	M-42.19° B- 17.39°	M-33.36° B- 14.38°	M-27.62° B- 12.20°	M-23.56° B- 10.57°	M-20.58° B- 9.31°	M-18.26° B- 8.31°	M-16.98° B- 7.50°
30°	M-40.89° B- 20.70°	M-32.18° B- 17.09°	M-26.57° B- 14.48°	M-22.64° B- 12.53°	M-19.73° B- 11.03°	M-17.50° B- 9.85°	M-15.72° B- 8.89°
35°	M-39.32° B- 23.93°	M-30.76° B- 19.70°	M-25.31° B- 16.67°	M-21.53° B- 14.41°	M-18.74° B- 12.68°	M-16.60° B- 11.31°	M-14.90° B- 10.21°
40°	M-37.45° B- 27.03°	M-29.10° B- 22.20°	M-23.86° B- 18.75°	M-20.25° B- 16.19°	M-17.60° B- 14.24°	M-15.58° B- 12.70°	M-13.98° B- 11.46°
45°	M-35.26° B- 30.00°	M-27.19° B- 24.56°	M-22.21° B- 20.70°	M-18.80° B- 17.87°	M-16.32° B- 15.70°	M-14.43° B- 14.00°	M-12.94° B- 12.62°
50°	M-32.73° B- 32.80°	M-25.03° B- 26.76°	M-20.36° B- 22.52°	M-17.20° B- 19.41°	M-14.91° B- 17.05°	M-13.17° B- 15.19°	M-11.80° B- 13.69°
55°	M-29.84° B- 35.40°	M-22.62° B- 28.78°	M-18.32° B- 24.18°	M-15.44° B- 20.82°	M-13.36° B- 18.27°	M-11.79° B- 16.27°	M-10.56° B- 14.66°
60°	M-26.57° B- 37.76°	M-19.96° B- 30.60°	M-16.10° B- 25.66°	M-13.54° B- 22.07°	M-11.70° B- 19.35°	M-10.31° B- 17.23°	M-9.23° B- 15.52°
65°	M-22.91° B- 39.86°	M-17.07° B- 32.19°	M-13.71° B- 26.95°	M-11.50° B- 23.16°	M-9.93° B- 20.29°	M-8.74° B- 18.06°	M-7.82° B- 16.26°
70°	M-18.88° B- 41.64°	M-13.95° B- 33.53°	M-11.17° B- 28.02°	M-9.35° B- 24.06°	M-8.06° B- 21.08°	M-7.10° B- 18.75°	M-6.34° B- 16.88°
75°	M-14.51° B- 43.08°	M-10.65° B- 34.59°	M-8.50° B- 28.88°	M-7.10° B- 24.78°	M-6.12° B- 21.69°	M-5.38° B- 19.29°	M-4.81° B- 17.37°
80°	M-9.85° B- 44.14°	M-7.19° B- 35.37°	M-5.73° B- 29.50°	M-4.78° B- 25.30°	M-4.11° B- 22.14°	M-3.62° B- 19.68°	M-3.23° B- 17.72°
85°	M-4.98° B- 44.78°	M-3.62° B- 35.84°	M-2.88° B- 29.87°	M-2.40° B- 25.61°	M-2.07° B- 22.41°	M-1.82° B- 19.92°	M-1.62° B- 17.93°
90°	M-0.00° B- 45.00°	M-0.00° B- 36.00°	M-0.00° B- 30.00°	M-0.00° B- 25.71°	M-0.00° B- 22.50°	M-0.00° B- 20.00°	M-0.00° B- 18.00°



## ENTRETIEN

**⚠ AVERTISSEMENT:** Vérifiez que l'outil est arrêté et débranché de la prise secteur avant de vous servir de l'outil. Ne pas le débrancher peut permettre un démarrage involontaire, pouvant causer de sérieuses blessures corporelles.

### **NETTOYAGE**

Éviter d'utiliser des solvants pour le nettoyage des pièces en plastique. La plupart des matières plastiques peuvent être endommagées par divers types de solvants du commerce. Utiliser un chiffon propre pour éliminer la saleté, la poussière, l'huile, la graisse, etc.

**⚠ AVERTISSEMENT:** Ne jamais laisse de liquides tels que le fluide de freins, l'essence, les produits à base de pétrole, les huiles pénétrantes, etc., entrer en contact avec les pièces en plastique. Les produits chimiques peuvent endommager, affaiblir ou détruire le plastique, ce qui peut entraîner des blessures graves.

Les outils électriques utilisés sur la fibre de verre, le pla-coplâtre, les mastics de bouchage ou le plâtre s'utilisent plus vite et sont susceptibles de défaillance prématurée, car les particules et les éclats de fibre de verre sont fortement abrasifs pour les roulements, balais, commutateurs, etc. En conséquence, nous ne recommandons pas d'utiliser cet outil pour un travail prolongé avec ces types de matériaux. Toutefois, si l'outil a été utilisé sur l'un de ces matériaux, il est extrêmement important de le nettoyer à l'air comprimé.

### **LUBRIFICATION**

Ce outils est lubrifiés en permanence à l'usine et ne nécessitent aucune lubrification supplémentaire.

## GARANTIE DE DEUX ANS

Ce produit est garanti exempt de défauts dus au matériaux et à la main d'œuvre pendant 2 ans à compter de sa date d'achat. Cette garantie limitée ne couvre pas l'usure normale ni les détériorations ou dommages dus à négligence, utilisation anormale ou accident. L'acheteur d'origine est couvert par cette garantie mais elle n'est pas transférable. Avant de renvoyer votre l'outil au magasin d'achat, s'il vous plaît appelez sans frais la ligne d'aide pour les solutions possibles.

***LES ACCESSOIRES COMPRIS DANS CE KIT NE SONT PAS COUVERTS PAR LA GARANTIE DE 2 ANS.***

## LIGNE D'ASSISTANCE SANS FRAIS

Pour vos questions sur ce produit ou un autre de GENESIS™, veuillez utiliser en Amérique du Nord ce numéro d'appel sans frais: **888-552-8665**.

Ou visitez notre site web: **[www.genesispowertools.com](http://www.genesispowertools.com)**

©Richpower Industries, Inc. All Rights reserved

Richpower Industries, Inc.  
736 Hampton Road  
Williamston, SC 29697

Printed in China, on recycled paper

# SIERRA INGLETEADORA COMPUESTA DE 254 mm (10 PULG.)

## Manual del Operario

### ESPECIFICACIONES

- Modelo: -----GMS1015LC
- Alimentación eléctrica: ----- 120V~AC, 60HZ, 15 A
- Velocidad en vacío: ----- 4600 RPM
- Tamaño de la hoja: ----- 254 mm (10" pulg.)
- Tamaño del eje: ----- 16 mm (5/8 pulg.)
- Corte en bisel: ----- 0-45° la izquierda
- Corte en Inglete: ----- 0-40° la izquierda, 0-40° la derecha
- Capacidad de corte @ 90° ----- H 75 mm x L 122 mm (3 plug. x 4-3/4 plug.)
- Capacidad de corte @ 45° ----- H 75 mm x L 85 mm (3 plug. x 3-5/16 plug.)
- Capacidad de corte @ 0° Inglete & 45° Bisel: ----- H 35 mm x L 122 mm (1-3/8 plug. x 4-3/4 plug.)
- Capacidad de corte @ 45° Inglete & 45° Bisel:----- H 35 mm x L 85 mm (1-3/8 plug. x 3-5/16 plug.)
- Peso Neto: ----- 24 Lbs
- Láser: Láser Class II, Longitud de onda: 650 nm, máx de salida <1.0 mw

Incluye: Sierra, una hoja de carburo 60T, abrazadera de sujeción, bolsa para polvo, alas de extensión, dos baterías AAA para el láser y llave para la hoja

**⚠ ADVERTENCIA:** Para reducir el riesgo de lesiones, el usuario debe leer y entender este manual del operario antes de operar esta herramienta. Guarde este manual para consultas futuras.

Línea de ayuda gratuita: 1-888-552-8665



**⚠ ADVERTENCIA:** La operación de cualquier herramienta motorizada puede provocar el lanzamiento de objetos extraños hacia sus ojos, lo cual puede resultar en daño grave de los ojos. Antes de iniciar la operación con la herramienta, siempre colóquese gafas de seguridad con protectores laterales y cuando sea necesario, una careta de protección de toda la cara. Recomendamos las caretas de visión amplia para utilizar sobre las gafas de seguridad con protectores laterales. Siempre utilice protección de ojos que esté marcada indicando el cumplimiento de la norma ANSI Z87.1



Busque este símbolo que indica precauciones de seguridad importantes. Éste significa ¡¡¡atención!!! Su seguridad está involucrada.

### REGLAS GENERALES DE SEGURIDAD

**⚠ ADVERTENCIA:** Algunos polvos producidos por actividades como lijar, aserrar, pulir, taladrar y otras actividades relacionadas con la construcción contienen productos químicos que se sabe causan cáncer, defectos de nacimiento u otros daños en el sistema reproductivo. Algunos ejemplos de estos productos químicos son:

- Plomo procedente de pinturas de base de plomo,
- Sílice cristalina procedente de ladrillos, cemento y otros productos de mampostería, y
- Arsénico y cromo procedentes de la madera tratada químicamente.

El riesgo de estas exposiciones varía, dependiendo de la frecuencia con que se realiza este tipo de trabajo. Para reducir la exposición a estos productos químicos: trabaje en una área con buena ventilación y con los equipos de seguridad aprobados, tales como mascarillas antipolvo especialmente diseñadas para eliminar por filtración partículas microscópicas.

**⚠️ ADVERTENCIA:** Antes de utilizar este equipo, lea y entienda todas las advertencias, precauciones e instrucciones de operación. No seguir todas las instrucciones enumeradas a continuación, podría resultar en una descarga eléctrica, un incendio y/o lesiones personales graves.

## GUARDE ESTAS INSTRUCCIONES

### ÁREA DE TRABAJO

- **Mantenga limpia y bien iluminada el área de trabajo.** Una mesa de trabajo mal despejada y una mala iluminación son causas comunes de accidentes.
- **No utilice herramientas motorizadas en atmósferas explosivas**, como las existentes alrededor de líquidos, gases y polvos inflamables. Las herramientas eléctricas generan chispas que pueden encender el polvo y los vapores inflamables.
- **Mantenga alejados a los circunstantes**, niños y demás presentes al utilizar una herramienta eléctrica. Toda distracción puede causar la pérdida del control de la herramienta.

### SEGURIDAD EN EL MANEJO DE EQUIPO ELÉCTRICO

- **La herramienta eléctrica enchufes debe coincidir con la toma de corriente.** Nunca modifique el enchufe de ninguna manera. No utilice ningún adaptador de enchufes en cualquier tierra (tierra) las herramientas eléctricas. Las herramientas con aislamiento doble están equipadas de una clavija polarizada (una patilla es más ancha que la otra). Esta clavija encaja de una sola forma en una toma de corriente polarizada. Si la clavija no encaja completamente en la toma de corriente, invierta la clavija. Si aún así no encaja, comuníquese con un electricista calificado para que instale una toma de corriente polarizada. No modifique la clavija de ninguna manera. Con el aislamiento doble se elimina la necesidad de usar cables de tres conductores y conexión a tierra, así como de sistemas de alimentación eléctrica con conexión a tierra.
- **No exponga las herramientas eléctricas a la lluvia ni a condiciones de humedad.** La introducción de agua en una herramienta eléctrica aumenta el riesgo de descargas eléctricas.
- **Evite el contacto del cuerpo con las superficies de objetos conectados a tierra**, como las tuberías, radiadores, estufas y refrigeradores. Existe un mayor riesgo de descargas eléctricas si el cuerpo está en contacto con tierra.
- **No maltrate el cordón eléctrico.** Nunca use el cordón eléctrico para portar las herramientas ni para sacar la clavija de una toma de corriente. Mantenga el cordón lejos del calor, aceite, bordes afilados y piezas móviles. Cambie de inmediato todo cable eléctrico dañado. Los cordones eléctricos dañados aumentan el riesgo de descargas eléctricas.
- **Al utilizar una herramienta eléctrica en el exterior**, utilice un cordón eléctrico de extensión que lleve las marcas "W-A" o "W". . Estos cordones eléctricos están aprobados para el uso en exteriores y reducen el riesgo de descargas eléctricas.
- **No utilice el adaptador de CA evaluado las herramientas con un suministro de corriente.** Si bien la herramienta puede parecer que el trabajo, los componentes eléctricos de la herramienta de CA nominal es probable que no y plantear un peligro para el operador.

### SEGURIDAD PERSONAL

- **Permanezca alerta**, preste atención a lo que esté haciendo y aplique el sentido común al utilizar herramientas eléctricas. No utilice la herramienta si está cansado o se encuentra bajo los efectos de alguna droga, alcohol o medicamento. Un momento de inatención al utilizar una herramienta eléctrica puede causar lesiones corporales serias.
- **Use equipo de seguridad.** Siempre póngase protección para los ojos. Cuando lo exijan las circunstancias debe ponerse careta contra el polvo, zapatos de seguridad antiderrapantes, casco o protección auditiva.
- **Vístase adecuadamente.** No vista ropas holgadas ni joyas. Recójase el cabello si está largo. Mantenga el cabello, la ropa y los guantes alejados de las piezas móviles. Las ropas holgadas, las joyas y el cabello largo pueden engancharse en las piezas móviles.
- **Evite un arranque accidental de la unidad.** Asegúrese que el interruptor está apagado antes de conectar la unidad. Llevar las herramientas con el dedo en el interruptor o conectarlas con el interruptor puesto es causa común de accidentes.

- **Retire toda llave o herramienta de ajuste antes de encender la herramienta eléctrica.** Toda llave o herramienta de ajuste dejada en una pieza giratoria de la herramienta eléctrica puede causar lesiones.
- **No estire el cuerpo para alcanzar un distancia mayor a la natural.** Mantenga una postura firme y buen equilibrio en todo momento. La postura firme y el buen equilibrio permiten un mayor control de la herramienta en situaciones inesperadas.
- **Si los aparatos que se ofrecen para la conexión de extracción de polvo y de instalaciones de recogida,** asegurar que estos están conectados y se utilizan adecuadamente. El uso de estos dispositivos puede reducir los riesgos relacionados con el polvo.
- **No utilice la unidad al estar en una escalera o en un soporte inestable.** Una postura estable sobre una superficie sólida permite un mejor control de la herramienta en situaciones inesperadas.
- **Mantenga la herramienta seca,** limpia y libre de aceite y grasa. Siempre utilice un trapo limpio para realizar actividades de limpieza. Nunca utilice fluidos de freno, gasolina, productos de base de petróleo, ni ningún solvente, para limpiar la herramienta.

## EMPLEO Y CUIDADO DE LA HERRAMIENTA

- **Asegure la pieza de trabajo.** Utilice prensas de sujeción o una prensa de banco para sostener la pieza de trabajo cuando sea posible. Utilizar prensas de sujeción o dispositivos mecánicos similares es más seguro que utilizar su mano(s) y le permite utilizar ambas manos para operar la herramienta. Perder el control de la pieza de trabajo puede causar lesiones personales.
- **No fuerce la herramienta.** Utilice la herramienta adecuada para cada tarea. La herramienta adecuada efectúa mejor y de manera más segura el trabajo, si además se maneja a la velocidad para la que está diseñada.
- **Utilice la herramienta correcta para el trabajo.** No fuerce la herramienta o accesorio utilizándolo en un trabajo para el cual no fue diseñado. No utilice la herramienta para un propósito para el cual no está diseñada ya que podría producirse daño a la máquina y/o lesiones personales.
- **No utilice la herramienta si el interruptor no realiza la operación de encendido y apagado.** Solicite a un centro de servicio autorizado que reemplace los interruptores defectuosos.
- **Apague la máquina,** y desconecte la máquina de la fuente de energía antes de ajustar o cambiar los valores de ajuste, o al realizar reparaciones. Podría ocurrir un arranque accidental que cause lesiones personales.
- **Guarde las herramientas que no estén en uso fuera del alcance de los niños** y de toda persona no capacitada en el uso de las mismas. Las herramientas son peligrosas en manos de personas no capacitadas en el uso de las mismas.
- **Proporcione mantenimiento con cuidado a las herramientas.** Revise para ver si hay desalineación o atoramiento de piezas móviles, ruptura de piezas o toda otra condición que pueda afectar el funcionamiento de la herramienta. Si se daña la herramienta, llévela a servicio antes de volver a utilizarla. Numerosos accidentes son causados por herramientas mal cuidadas.
- **Utilice los accesorios recomendados.** Utilizar accesorios no recomendados por el fabricante o no diseñados para uso en una herramienta de este tipo, podría causar daño a la máquina o lesiones personales al usuario. Consulte el manual del operario para conocer los accesorios recomendados.
- **Mantenga las herramientas de corte afiladas y limpias.** Las herramientas de corte bien cuidadas, con bordes bien afilados, tienen menos probabilidad de atascarse en la pieza de trabajo y son más fáciles de controlar.
- **Empuje la pieza de trabajo en la dirección y velocidad correctas.** Empuje la pieza de trabajo dentro de la hoja, cuchilla o superficie abrasiva únicamente en dirección contraria a la dirección de rotación de la herramienta de corte. El empuje incorrecto de la pieza de trabajo en la misma dirección de rotación de la herramienta de corte provoca que la pieza de trabajo sea lanzada a alta velocidad.
- **Nunca deje la herramienta funcionando sin supervisión.** Desactive la energía. No abandone la máquina hasta que se haya detenido por completo.
- **Nunca arranque una herramienta cuando cualquier componente giratorio está en contacto con la pieza de trabajo.**

**⚠ ADVERTENCIA:** EL USO DE ESTA HERRAMIENTA PUEDE GENERAR Y DESEMBOLSAR POLVO U OTRAS PARTÍCULAS TRANSPORTADAS POR EL AIRE, INCLUYENDO POLVO DE MADERA, POLVO DE SÍLICE CRISTALINA Y ASBESTOS. Dirija las partículas en dirección contraria a la cara y el cuerpo. Siempre utilice la herramienta en una área bien ventilada y suministre lo necesario para la remoción apropiada del polvo. Utilice sistemas colectores de polvo cuando sea posible. La exposición al polvo podría causar lesiones respiratorias graves y permanentes u otras lesiones, incluyendo silicosis (una enfermedad pulmonar grave), cáncer y la muerte. Evite respirar el polvo, y evite el contacto prolongado con el polvo. Permitir que el polvo ingrese a su boca u ojos, o que se deposite sobre su piel podría provocar la absorción de materiales peligrosos. Cuando exista exposición a polvo, siempre utilice protección respiratoria aprobada por NIOSH/OSHA que ajuste apropiadamente, y lave con jabón y agua las áreas expuestas.

## SERVICIO

- **Han toolto su poder ser reparado por una persona cualificada de reparación utilizando sólo repuestos idénticos.** Esto garantizará que la seguridad de la herramienta de poder se mantiene.
- **Servicio de su herramienta eléctrica periódicamente.** Cuando una herramienta de limpieza, cuidado de no desmontar cualquier parte de la herramienta interna, porque los cables pueden ser apretado fuera de lugar.

## GUARDE ESTAS INSTRUCCIONES

### CABLES DE EXTENSIÓN

**Las herramientas de conexión a tierra requieren un cable de extensión de tres alambres.** Las herramientas de aislamiento doble pueden utilizar un cable de extensión de dos o tres alambres. A medida que aumenta la distancia desde el tomacorriente de suministro de energía, usted debe utilizar un cable de extensión de mayor calibre. Utilizar cables de extensión con alambre de dimensiones inadecuadas causa una caída grande del voltaje, lo que resulta en pérdida de energía y posible daño a la herramienta. Consulte la tabla mostrada enseguida para determinar el tamaño de alambre mínimo requerido.

Entre más pequeño sea el número de calibre del alambre, mayor es la capacidad del cable. Por ejemplo: un cable de calibre 14 puede transportar más corriente que un cable de calibre 16. Cuando se utiliza más de un cable de extensión para conformar la longitud total, verifique que cada cable contiene como mínimo el tamaño de alambre mínimo requerido. Si usted está utilizando un cable de extensión para más de una herramienta, sume los amperios indicados en la placa de datos de cada herramienta y utilice la suma para determinar el tamaño de alambre mínimo requerido.

### Pautas para utilizar cables de extensión

- Si usted está utilizando un cable de extensión en exteriores, verifique que esté marcado con el sufijo “W-A” (“W” en Canadá) que indica que es aceptable para uso en exteriores.
- Verifique que su cable de extensión tiene los alambres apropiados y que está en buenas condiciones eléctricas. Siempre reemplace un cable de extensión dañado o hágalo reparar por una persona calificada antes de utilizarlo.
- Proteja sus cables de extensión contra objetos cortantes, calor excesivo y áreas mojadas o húmedas.

Calibre de alambre mínimo recomendado para cables de extensión (120 Voltios)

Amperios según la placa de datos (a plena carga)	Longitud del cable de extensión					
	25 pies	50 pies	75 pies	100 pies	150 pies	200 pies
0–2.0	18	18	18	18	16	16
2.1–3.4	18	18	18	16	14	14
3.5–5.0	18	18	16	14	12	12
5.1–7.0	18	16	14	12	12	10
7.1–12.0	18	14	12	10	8	8
12.1–16.0	14	12	10	10	8	6
16.1–20.0	12	10	8	8	6	6

# REGLAS DE SEGURIDAD ESPECÍFICAS PARA LA SIERRA INGLETEADORA

**⚠ ADVERTENCIA:** NO permita que la confianza o familiaridad con el producto (lograda después del uso repetido) reemplace el estricto cumplimiento de estas reglas de seguridad para sierras ingleteadoras. Si usted utiliza esta herramienta de manera insegura o incorrecta, usted puede sufrir graves lesiones personales.

- **No opere esta sierra ingleteadora** hasta que esté ensamblada e instalada de acuerdo con las instrucciones.
- **Si usted no está completamente familiarizado con la operación de sierras ingleteadoras**, solicite guía a su supervisor, instructor, u otra persona calificada.
- **Antes de operar**, monte la herramienta de manera segura en una superficie de soporte estable. Idealmente, sujete firmemente o emperne su sierra ingleteadora a un banco de trabajo, mesa o soporte de herramienta, a aproximadamente la altura de la cadera.
- **Utilice las cubiertas protectoras todas las veces que sea posible.** Verifique que las cubiertas protectoras están correctamente posicionadas, aseguradas, y funcionando apropiadamente
- **Sólo utilice hojas para sierra de corte transversal.** Sólo utilice ángulos de enganche de 0o o negativos al utilizar hojas con puntas de carburo. **Importante:** no utilice hojas ranuradas delgadas u hojas con gargantas profundas. Éstas pueden torcerse fácilmente y hacer contacto con la cubierta protectora o la mesa de la sierra ingleteadora.
- **Sólo utilice hojas que sean del tamaño** y tipo correctos especificados para esta herramienta.
- **Asegúrese de utilizar una hoja afilada** que gire libremente y que no tenga vibración.
- **Inspeccione las hojas en cuanto a grietas u otros daños, antes de operar.** Reemplace inmediatamente una hoja agrietada o dañada.
- **Limpie la hoja y las arandelas-bridas de la hoja antes de operar.** Revise nuevamente en busca de cualquier daño y apriete firmemente la tuerca del eje.
- **Sólo utilice las bridas de hoja especificadas para esta herramienta.**
- **Mantenga sus manos fuera de la trayectoria de la hoja de la sierra.** Si la pieza de trabajo que se está cortando provoca que sus manos estén a una distancia menor de 7-1/4" de la hoja de la sierra, la pieza de trabajo debe ser sujetada en su sitio antes de realizar el corte.
- **Mantenga las ranuras de aire del motor limpias** y libres de fragmentos, polvo, u otras obstrucciones que pudieran interferir con el flujo del aire de enfriamiento hacia el motor.
- **Antes de cortar**, verifique que todas las manijas de ajuste de la sierra están apretadas, incluso si la mesa está posicionada en uno de los topes positivos. No olvide apretar la manija de ajuste de bisel montada en la parte posterior.
- **Nunca aplique lubricantes a la hoja cuando está girando.**
- **Nunca utilice hojas de sierra clasificadas para operación a menos de 5,000 rpm.**
- **Nunca arranque la herramienta con la pieza de trabajo contra la hoja.**
- **Antes de iniciar el corte**, permita que el motor alcance la velocidad total.
- **Siempre mantenga las cubiertas protectoras de la hoja** en su sitio y utilícelas a todo momento.
- **Nunca se extienda usted alrededor o detrás de la hoja de la sierra.**
- **Nunca asegure el interruptor en la posición "on".**
- **Nunca intente recortar piezas pequeñas.**
- **Nunca corte metales ferrosos ni mampostería.** Esta sierra ingleteadora está diseñada para cortar madera y productos similares a la madera.
- **No realice operaciones de corte sin agarrar la herramienta con las manos.** Sujete firmemente la pieza de trabajo contra la guía y la mesa. Cuando sea posible, utilice prensas de sujeción para sujetar la pieza de trabajo.
- **Las piezas de trabajo largas** o anchas deben ser soportadas apropiadamente.

- **Importante: después de realizar el corte**, libere el interruptor de energía y permita que la hoja se detenga por completo antes de regresar la sierra a una posición levantada.
- **Apague la sierra y permita que la hoja se detenga** por completo antes de limpiar el área de la hoja o retirar los desechos y virutas encontrados en la trayectoria de la hoja. Las hojas que siguen girando por inercia son peligrosas.
- **Apague la sierra y permita que la hoja se detenga** por completo antes de retirar o desasegurar la pieza de trabajo, cambiar el ángulo de la pieza de trabajo, o cambiar el ángulo de la hoja.
- **Nunca realice trabajos de disposición**, ensamble o ajuste en la mesa o el área de trabajo de la sierra, mientras la máquina está en funcionamiento.
- **Apague la máquina** y desconecte la máquina de la fuente de energía antes de instalar o retirar accesorios, antes de ajustar o cambiar los valores de ajuste, o al realizar reparaciones.
- **Desconecte la máquina de la fuente energía** y limpie el área de trabajo antes de abandonar la máquina.
- **Si cualquier pieza está faltando o su sierra ingleteadora está dañada**, o falla de cualquier manera, o cualquier componente eléctrico no funciona apropiadamente, coloque el interruptor en la posición "off" y retire el enchufe fuera de la fuente de energía. Reemplace la pieza faltante, dañada o con falla, antes de reanudar la operación.

**⚠ ADVERTENCIA:** Antes de utilizar este equipo, lea y entienda todas las advertencias, precauciones e instrucciones de operación. No seguir todas las instrucciones enumeradas a continuación, podría resultar en una descarga eléctrica, un incendio y/o lesiones personales graves.

## GUARDE ESTAS INSTRUCCIONES

### GLOSARIO DE TERMINOS USADOS EN CARPINTERIA

**Pieza de Trabajo** -El pedazo de madera en el cual se está realizando el corte.

**Dedos Antiretroceso**-Dispositivo que al instalarlo y mantenerlo en forma debida evita que la pieza de trabajo sea lanzada hacia atrás, hacia la parte delantera de la sierra cuando se está efectuando un corte al hilo..

**Eje** - El eje en el cual se instala una hoja o una herramienta cortante.

**Corte en Bisel**-Un corte que se efectúa con la hoja inclinada

**Corte de Inglete Compuesto**-Un corte sencillo hecho con un ángulo de inglete y un ángulo de bisel

**Corte Transversal**-Un corte hecho a través del grano de la pieza de trabajo.

**Ranura**-Un corte no completo que produce una ranura o muesca de lados cuadrados en la madera

**Tabla con Canto Biselado**- Un dispositivo que ayuda a controlar la pieza de trabajo guiándola firmemente contra la mesa o la guía cuando se efectúa un corte al hilo..

**Las manos libres** - Realización de un corte sin utilizar una valla, miter calibre, calendarios, mantenga pulsada la abrazadera, o de otro tipo de dispositivo adecuado para mantener la pieza de trabajo de torsión durante el corte - no se recomienda.

**Goma** -Una savia pegajosa proveniente de la madera

**Inclinación** - Desalineamiento de la hoja.. Inclinación causar vinculante, soborno, uso excesivo de la fuerza quemara la pieza de trabajo o de fragmentación

**Entalla** -La cantidad de material que saca la hoja en un corte completo o la ranura producida por la hoja en un corte parcial o incomplete

**Retroceso** -Cuando la madera es lanzada hacia atrás, hacia la parte delantera de la sierra. Se refiere al cierre del corte en la pieza de trabajo apretando la hoja o ejerciendo esfuerzo en la hoja.

**Borde de Entrada** -El borde de una pieza de trabajo que durante un corte al hilo es empujado primero hacia la herramienta cortante.



**Corte de Inglete** - Un corte hecho con la madera en cualquier ángulo que no sea de 90 grados en relación con la hoja.

**Moldeo** -Un corte no completo que produce una forma especial en la madera usado para unión o decoración.

**Cortes Incompletos** - Cualquier operación de corte en la cual la hoja no pasa completamente a través del grosor de la pieza de trabajo.

**Bloques Empujadores** -Un dispositivo usado para alimentar la pieza de trabajo hacia la sierra, excepto durante operaciones de corte al hilo en maderas angostas, en cuyo caso debe usarse un empujador. Además ayuda a mantener las manos del operador alejadas de la hoja.

**Empujador** -Un dispositivo usado para alimentar la pieza de trabajo hacia la sierra a fin de ayudar a mantener las manos del operador alejadas de la hoja.

**Rebajo** -Una ranura en el borde de una madera.

**Resina** -Una savia pegajosa que se ha endurecido.

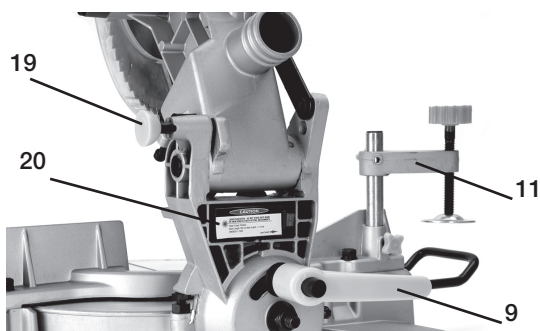
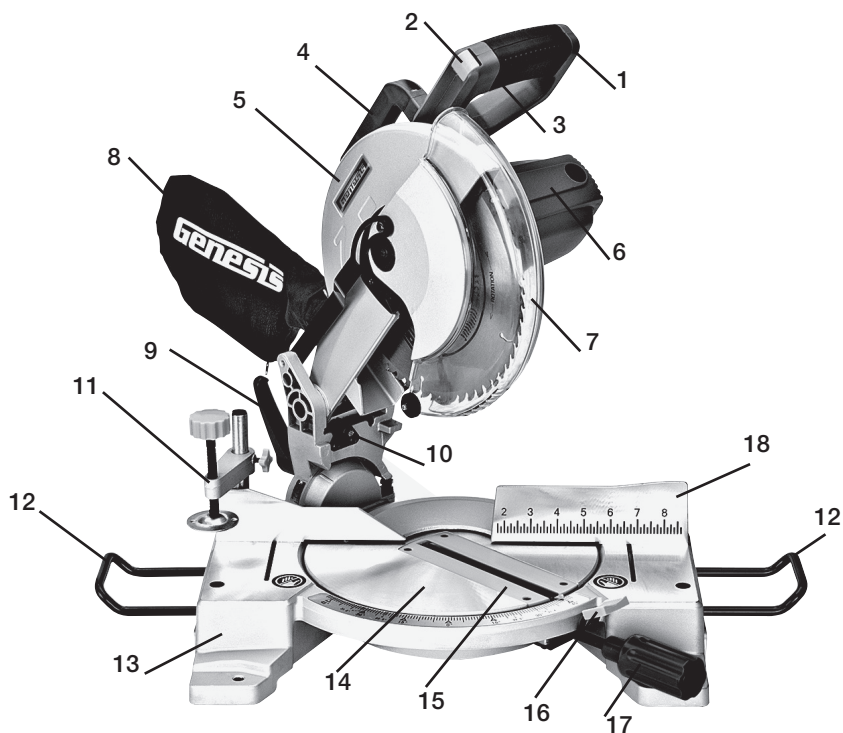
**Corte al Hilo** -Una operación de corte o conformado efectuado a lo largo del hilo de la madera o del grano de la pieza de trabajo.

**Guía de Corte al Hilo** -Guía ajustable usada para cortes al hilo para mantener la pieza de trabajo paralela a la hoja de la sierra.

**RPM** - Revoluciones por minuto. El número de vueltas que completa un objeto que gira en un minuto. Se usa para medir la velocidad de la hoja.

**Trayecto de la Hoja** -El área que está sobre, bajo, detrás o en frente de la hoja. En relación con la pieza de trabajo, es el área que será o ha sido cortada con la hoja.

## SU SIERRA INGLETEADORA



**FIG 1**

- |  |                                   |   |
|--|-----------------------------------|---|
| 1. Mango                               | 7. Protección inferior de la hoja | 14. Mesa de ingletes                    |
| 2. Interruptores de bloqueo de apagado | 8. Bolsa para polvo               | 15. Placa de Garganta                   |
| 3. Gatillo Del Interruptor             | 9. Manija de fijación de bisel    | 16. Palanca de retención                |
| 4. Mango de transporte                 | 10. Láser                         | 17. Manija de fijación de inglete       |
| 5. Protección superior de la hoja      | 11. Prensa de sujeción de trabajo | 18. Guía de inglete corredizo           |
| 6. Motor                               | 12. Extensión de la mesa          | 19. Pasador de bloqueo de la cabeza     |
|  | 13. Base                          | 20. Compartimento de baterías del láser |

# DESEMPAQUETADO Y CONTENIDO

**IMPORTANTE:** Debido a las modernas técnicas de producción en masa, es poco probable que la herramienta está defectuoso o que una parte se pierde. Si encuentra algo incorrecto, no opere la herramienta hasta que las partes han sido sustituidos o la falla ha sido corregida. El no hacerlo podría resultar en lesiones graves.

## PIEZAS SUeltas EN LA CARTÓN

Descripcion	Cant.	Descripcion	Cant.
Sierra ingleteadora	1	Llave	1
Bolsa para polvo	1	Baterías AAA para el láser	2
Extensión de la mesa	2	Manual del usuario	1
Prensa de sujeción de trabajo	1		

## DESEMBALAJE

1. Eliminar todas las piezas sueltas de la caja.
2. Retire el material de embalaje alrededor de la sierra.
3. Uso del mango de transporte (4-Fig 1) levante cuidadosamente la sierra a partir de la caja y colocarlo en un nivel de superficie de trabajo.
4. La sierra ha sido enviado con la sierra cabeza bloqueado en la posición abajo. Para liberar la sierra cabeza, empuje en la parte superior de la sierra cabeza, tire del la pasador de bloqueo (19-Fig 1), girar un cuarto de vuelta y dejar ir, Levante lentamente la cabeza de sierra.

## MONTAJE Y AJUSTES

**⚠ ADVERTENCIA:** NO conecte su sierra ingleteadora compuesta a la fuente de energía hasta que la máquina esté completamente ensamblada, todos los ajustes necesarios estén hechos, y usted haya leído y entendido todo el manual del operario.

**⚠ ADVERTENCIA:** Verifique que la máquina está desenchufada de la fuente de energía. Un arranque accidental de la sierra podría resultar en lesiones personales graves.

Su sierra ingleteadora viene de fábrica completamente ajustado y requiere de menor importancia para preparar la asamblea sierra para la operación.

## MONTAJE DE LA SIERRA

**⚠ ADVERTENCIA:** Asegúrese siempre de que la sierra ingleteadora está bien montado en un banco de trabajo o una posición de inglete aprobado. La inobservancia de esta advertencia puede resultar en lesiones personales graves.

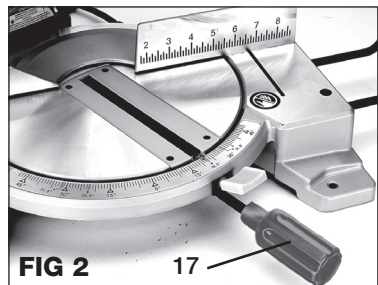
La sierra ingleteadora debe estar permanentemente montado en una superficie firme de apoyo, tales como banco de trabajo. Cuatro orificios de los pernos se han proporcionado en la base de la sierra para este propósito. Cada uno de los cuatro orificios de montaje debe estar firmemente fijado con 3/8 pulgadas tornillos, arandelas y las tuercas hexagonales (no incluido). Después de forma segura el montaje de la sierra, revise con cuidado la mesa de trabajo para asegurarse de que ningún movimiento puede ocurrir durante el uso. Si alguno de vuelco, deslizamiento o caminar se nota. Asegure la mesa de trabajo en el suelo antes de la operación.

## MANIJA DE FIJACIÓN DE INGLETE (FIG 2)

Para instalar el manija de fijación de inglete(1), atornille el extremo roscado de manija de fijación de inglete en el orificio roscado en debajo de la mesa. Gire a la derecha para apretar.

## PUERTO DE POLVO Y LA BOLSA DE POLVO (FIG 3)

La sierra tiene un 1-1/2 pulg puerto de polvo (1) en la parte trasera del protector de la hoja superior. Un sistema de recolección de polvo se puede conectar a este puerto para ayudar a eliminar el aserrín de la zona de trabajo.



Se suministra una bolsa para polvo (2) para utilizar con su sierra ingleteadora. Está instalada sobre el conducto de polvo, ubicado en la parte trasera de la cubierta protectora superior de la hoja. Apriete los dos sujetadores metálicos para abrir la boca de la bolsa y deslice sobre el conducto de polvo. Libere la presión sobre los sujetadores, y el anillo metálico en la abertura de la bolsa debe asegurarse dentro de las ranuras del conducto de polvo.

La bolsa para polvo debe revisarse frecuentemente y si está llena más de la mitad de su capacidad, retire la bolsa simplemente invirtiendo el procedimiento de instalación. Deseche el polvo de corte acumulado en la bolsa para polvo y luego reinstale la bolsa para polvo antes de reanudar la operación de la sierra ingleteadora.

### EXTENSIONES DE MESA (FIG 4)

La sierra incluye dos extensiones de la mesa. (1). Se puede instalar ya sea en el izquierdo o el lado derecho de la base de la sierra.

Para instalar las extensiones de la mesa

1. Afloje el tornillo de bloqueo de extensión (2).
2. Insertar los extremos de las extensiones de la mesa en los orificios (3) en el lado de la base y ajustar las extensiones a la longitud deseada.
3. Asegure las extensiones apretando el tornillo de bloqueo de la extensión.

### PRENSA DE SUJECIÓN DE TRABAJO (FIG 5)

**⚠️ ADVERTENCIA:** En algunas operaciones, la prensa de sujeción de trabajo podría interferir con la operación de la cubierta protectora de la hoja. Antes de iniciar cualquier operación de corte, siempre verifique que no hay interferencia con la cubierta protectora de la hoja para reducir el riesgo de lesiones personales graves.

Esta sierra ingleteadora esté equipada con una prensa de sujeción de trabajo (1). La prensa de sujeción de trabajo puede colocarse en los orificios de montaje suministrados ubicados en la base detrás de la guía de ingletes, a la derecha e izquierda de la cabeza de corte. Inserte la columna de la abrazadera (3) en el orificio de montaje (2). Sujete en posición apretando el tornillo (6). Con el botón de bloqueo abrazadera (4) para asegurar rápidamente la abrazadera en su posición. Utilice la pinza apriete el tornillo (5) para asegurar piezas de trabajo contra la mesa de ingletes según sea necesario, especialmente piezas pequeñas.

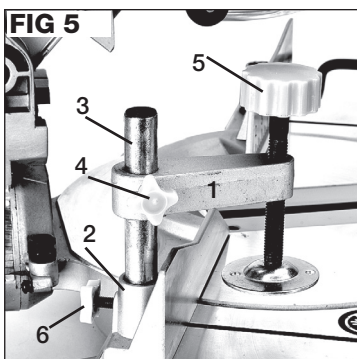
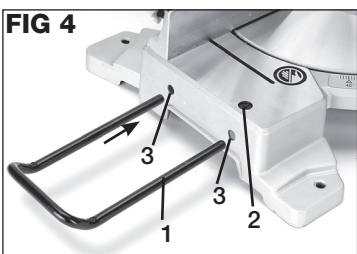
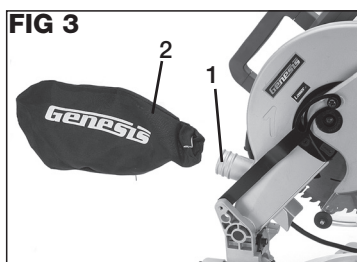
La prensa de sujeción de trabajo proporciona mayor control sujetando la pieza de trabajo a la guía o la mesa de la sierra. Esta prensa también evita que la pieza de trabajo se mueva lentamente hacia la hoja de la sierra. Esta prensa es muy útil al cortar ingletes compuestos.

**NOTA:** Dependiendo de la operación de corte y del tamaño de la pieza de trabajo, podría ser necesario utilizar una mordaza en "C" en vez de la prensa de sujeción de trabajo para asegurar la pieza de trabajo antes de realizar el corte.

### REEMPLAZO DE LA HOJA DE LA SIERRA (FIG 6, 7, 8, 9)

**⚠️ ADVERTENCIA:** Antes de realizar cualquier trabajo en la herramienta, verifique que la herramienta está apagada y desenchufada de la fuente de energía.

**⚠️ ADVERTENCIA:** Sólo utilice hojas para sierra con diámetro de 10 pulg y que estén clasificadas para velocidades iguales o superiores a la RPM nominal indicada en la placa de datos de esta sierra ingleteadora.



**⚠ ADVERTENCIA:** Sólo utilice hojas diseñadas para operaciones de corte transversal.

**⚠ ADVERTENCIA:** No utilice hojas ranuradas delgadas con gargantas profundas que podrían torcerse y hacer contacto con las cubiertas protectoras de la hoja o producir cortes de calidad deficiente en la pieza de trabajo.

Para reemplazar la hoja

1. Desenchufe la sierra
2. Levante el protector de la hoja inferior (3). Afloje el tornillo Phillips (1) en la portada el perno.
3. Levante la tapa del perno de la hoja (2) para exponer el perno de la hoja.
4. Presione el botón de bloqueo del eje (7) y gire la hoja hasta que los bloqueos de eje.
5. Utilizando la llave (4) siempre, afloje el perno de la hoja (5) girando en sentido horario. Retire el perno de la hoja.
6. Retire la brida de la hoja exterior (6).
7. Retire la hoja vieja de la sierra.

**NOTA:** Una arandela de la hoja puede ser el uso de la hoja con el agujero de eje mayor que 5/8 pulgadas.

8. Montar la nueva hoja con cuidado sobre el eje, asegurándose de que la flecha de dirección en la superficie de la hoja coincide con la flecha en el protector de la hoja superior.
9. Vuelva a colocar la brida de la hoja exterior y el perno de la hoja.
10. Oprima y mantenga pulsado el botón de bloqueo del eje mientras se aprieta el tornillo de fijación lámina de forma segura con la llave suministrada en sentido antihorario.
11. Baje el protector de la hoja inferior y la cubierta del perno de la hoja a su posición original.
12. Vuelva a apretar el tornillo Phillips que sujeta la tapa perno de la hoja.
13. Asegúrese de que el bloqueo del eje ha publicado y la hoja gire libremente antes de enchufar la herramienta y hacer un corte.

## ALINEACIÓN POR LÁSER (FIG 10, 11)

**⚠ ADVERTENCIA:** Luz láser – no mire fijamente la abertura del láser, o la reflexión procedente de una superficie como de espejo.

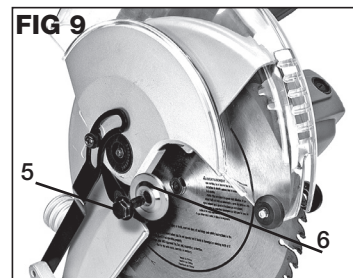
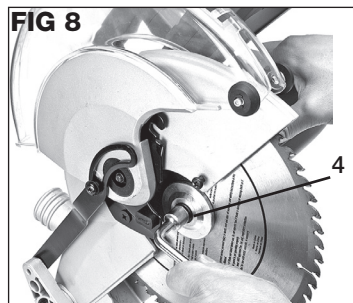
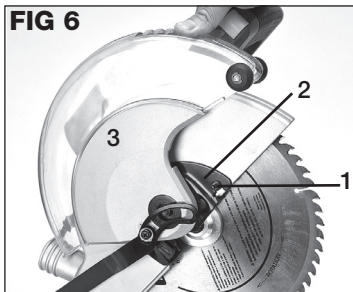
**⚠ ADVERTENCIA:** Evite la exposición – la luz láser es emitida desde la abertura ubicada en la cubierta protectora trasera. El uso de controles o ajustes, o la realización de procedimientos diferentes a los especificados aquí, podría resultar en exposición peligrosa a la luz láser.

**⚠ ADVERTENCIA:** NO desensamble el módulo láser

**⚠ ADVERTENCIA:** EL uso de controles o ajustes o la realización de procedimientos diferentes a los especificados aquí podría resultar en exposición peligrosa a la radiación.

La sierra de inglete está equipado con un láser alimentado por batería. El compartimiento de la batería láser (3) se encuentra en la parte posterior de la sierra. Ver figura 10. Se necesitan dos pilas AAA (incluidas) para operar el láser. El interruptor ON / OFF para láser se encuentra en el compartimiento de la batería.

La alineación del láser se realizó en fábrica y está ajustada para el centro de la hoja o la línea trazada. Podría requerirse ajuste antes de uso inicial debido a los efectos del transporte y la manipulación. Además, usted puede



ajustar la línea proyectada por el láser según su agrado. Usted podría desear que el láser esté a la derecha o izquierda de la hoja, o en línea recta sobre una línea de corte trazada. La manera como usted decida finalmente en última instancia, para alinear el láser en relación con la hoja de la sierra de corte de la ruta determinará cómo alinear la línea de corte.

En cada lado del láser, hay 2 tornillos de cabeza Phillips (2) que, cuando se aflojan, permiten movimiento hacia la izquierda y derecha. Debe saberse que pequeños ajustes pueden producir cambios dramáticos en la trayectoria del láser. Con paciencia y práctica, usted podrá colocar la línea láser en la posición ideal para su estilo de alineación de la hoja con la línea de corte.

## AJUSTE DE LA PROFUNDIDAD DE CORTE (FIG 12)

**⚠ ADVERTENCIA:** Verifique que la máquina está desenchufada de la fuente de energía. Un arranque accidental de la sierra podría resultar en lesiones personales graves.

**NOTA:** La sierra de inglete debe venir debidamente ajustado para la profundidad de corte durante el uso de la hoja de instalación de fábrica para un funcionamiento normal.

La carrera hacia abajo o profundidad de corte, de la hoja de la sierra puede controlarse para evitar contacto con las superficies metálicas de la sierra ingleteadora, para garantizar que la hoja corta completamente al través la pieza de trabajo, y permite valores de profundidad de corte para operaciones especiales.

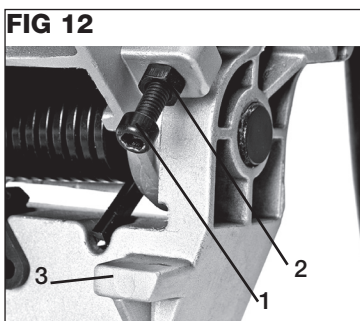
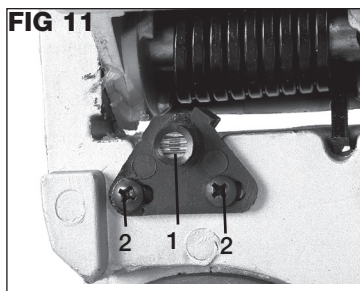
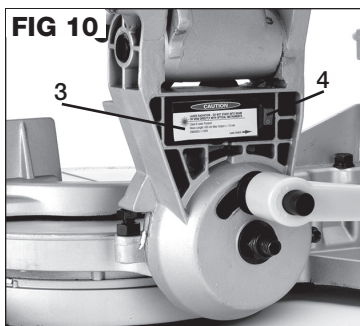
Para ajustar la profundidad de corte de la hoja de la sierra ingleteadora

**NOTA:** Ésta se ajusta en fábrica y usualmente no requiere ajuste. (Esta sierra no viene con las herramientas necesarias para el siguiente procedimiento.)

1. Encuentre la profundidad de corte de ajuste tornillo de montaje (1+2) en la sierra y el brazo derecho en el lado izquierdo de la bolsa para polvo.
2. Si el brazo de la sierra está asegurado en la posición abajo, libérela girando un cuarto de giro la clavija de bloqueo.
3. Afloje la tuerca de la jamba (2) de las agujas del reloj varias vueltas. Utilizando la llave Allen de 5 mm, afloje o apriete para ajustar el tornillo de tope (1). Agujas del reloj aumentará la profundidad de corte; contrahorario rotación menor es la profundidad de corte.
4. A medida que baja la hoja de la sierra, gire la hoja para verificar que ésta no hace contacto con las superficies metálicas de la máquina y permitirá a través de corte de piezas de trabajo de descanso contra la valla.
5. Re-apriete la tuerca de jamba mientras sostiene el tornillo de ajuste en su sitio con la llave.
6. Antes de cada uso de la sierra ingleteadora, con la sierra desenchufada, baje la hoja y gírela manualmente para confirmar que la hoja no hace contacto con las superficies de la sierra ingleteadora.

## POSICIONAMIENTO EN ÁNGULO RECTO DE LA HOJA DE LA SIERRA CON RESPECTO A LA GUÍA (FIG 13, 14)

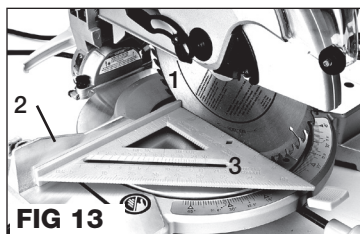
**⚠ ADVERTENCIA:** Antes de realizar cualquier trabajo en la herramienta, verifique que la herramienta está apagada y desenchufada de la fuente de energía. No desenchufar la sierra podría resultar en arranque accidental, causando posiblemente lesiones personales graves.



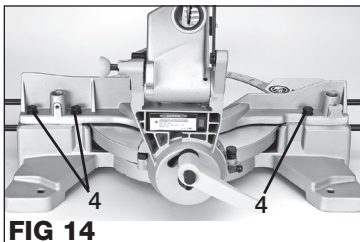


1. Desenchufe la sierra ingleteadora.
2. Afloje la manija de bloqueo de inglete. Gire la mesa de ingletes y pasar de 0° posición de detención de inglete.

**(NOTA:** Verifique si el indicador rojo (1) puntos a 0° en la escala de ingletes. Si no es así, afloje el tornillo indicador de inglete, ajuste el puntero para apuntar con precisión a 0° marca de la escala, apriete el tornillo del indicador.)



3. Apriete firmemente la manija de bloqueo de inglete.
4. Hale hacia abajo completamente el brazo de la sierra y mueva la clavija de bloqueo a la posición de transporte, asegurando la hoja y el brazo en la posición abajo.

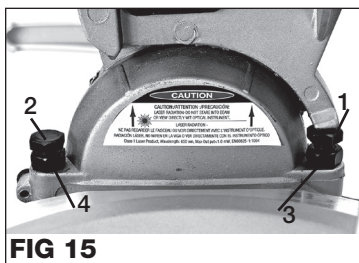


5. Coloque una pequeña escuadra (3) de construcción de marcos o tri-escuadra escuadra sobre la mesa de ingletes. Coloque una pata de la escuadra contra la guía y deslice la otra pata de la escuadra contra una parte plana de la hoja de la sierra. (Verifique que la escuadra hace contacto con la parte plana de la hoja de la sierra y no con los dientes de la hoja)
6. Verifique que el borde de la escuadra y la hoja de la sierra están paralelos a lo largo de toda la plaza del borde.
7. Si la parte delantera o trasera de la hoja hace ángulo con respecto a la escuadra, se requiere ajuste de la guía.
8. Utilizando la llave de siempre, afloje los tres pernos (4) que sujetan la guía a la mesa estacionaria de la sierra.
9. Mientras sostiene una pata de la escuadra contra la guía, mueva lentamente la guía hacia la izquierda o derecha hasta que la hoja de la sierra esté paralela con la escuadra.
10. Apriete cuidadosamente la guía a los tornillos de la mesa y revise nuevamente la alineación de hoja con respecto a la guía como en los pasos 5 y 6.

## AJUSTES DE LOS TOPES DE BISEL DE 0° Y 45° (FIG 15, 16)

**NOTA:** Ésta se ajusta en fábrica y usualmente no requiere ajuste. (Esta sierra no viene con las herramientas necesarias para el siguiente procedimiento.)

**⚠ ADVERTENCIA:** Antes de realizar cualquier trabajo en la herramienta, verifique que la herramienta está apagada y desenchufada de la fuente de energía. No desenchufar la sierra podría resultar en arranque accidental, causando posiblemente lesiones personales graves.



Para ajustar el tope de bisel positivo para 0°

1. Desenchufe la sierra ingleteadora.
2. Alinee la mesa de ingletes hasta 0° y asegure el brazo de la sierra en la posición abajo, en la posición de transporte.
3. Afloje la manija de bloqueo del bisel en la parte trasera de la sierra, levante el bisel de 0° bloque de tope (2), establezca el brazo de la sierra a 0° del tope de bisel (hoja de 90° a la mesa de ingletes).
4. Coloque una escuadra de combinación sobre la mesa de ingletes y la parte plana de la hoja de la sierra (verificando que la escuadra no esté haciendo contacto con ningún diente de la hoja).
5. Gire lentamente y manualmente la hoja verificando la alineación de la escuadra con la hoja en varios puntos. El borde de la escuadra y la hoja deben estar paralelos; sin embargo, si la parte superior o inferior de la hoja hace ángulo con respecto al borde de la escuadra, se requiere un ajuste.
6. El bisel de 0° parada perno de ajuste se encuentra en la parte inferior derecha de la articulación de bisel. Usando una llave de 13 mm, afloje la tuerca de seguridad (3)
7. Utilice una llave de 13 mm para ajustar el bisel de 0° detener el perno de ajuste (1) y para que la cuchilla esté alineado con la escuadra.
8. Si es necesario, afloje la flecha indicadora del ángulo de bisel y ajústela para que señale de manera precisa la línea de 0°, luego reapriete el tornillo.





Para ajustar el tope de bisel 45 ° a izquierda: Siga las instrucciones para el ajuste del tope de bisel de 0 °, a excepción de la posición del brazo de la sierra a un bisel de 45 ° a la izquierda. El 45 ° a la izquierda del tope de bisel perno de ajuste (2) se encuentra en el lado derecho de los nudillos de bisel.

## FUNCIONAMIENTO

**⚠ ADVERTENCIA:** Antes de realizar cualquier trabajo en la herramienta, verifique que la herramienta está apagada y desenchufada de la fuente de energía. No desenchufar la sierra podría resultar en arranque accidental, causando posiblemente lesiones personales graves.

**⚠ ADVERTENCIA:** Siempre utilice gafas de seguridad o gafas de seguridad con protección lateral cuando opere herramientas. De no hacerlo, podría dar lugar a lanzamiento de objetos a los ojos que resulta en lesiones graves.

### TRANSPORTE DE LA SIERRA

1. Siempre verifique que la cabeza de la sierra está en la posición abajo y que está asegurada.
2. Verifique que la mesa de ingletes está asegurada en la posición de ingletes totalmente a la derecha, Bisel está bloqueado en posición de 0°.
3. Sólo levante la sierra por el asa de transporte o exterior fundición.

**⚠ ADVERTENCIA:** Siempre transporte la sierra ingleteadora en la posición abajo asegurada, transportando la sierra mediante la manija de transporte ubicada en el brazo de corte. NO levante ni transporte la sierra ingleteadora utilizando la manija con interruptor, hacerlo así podría causar desalineamiento de los valores de ajuste de inglete y de bisel.

### ASEGURAMIENTO Y DESASEGURAMIENTO DE LA CABEZA DE CORTE (FIG 17)

Cuando se guarda o transporta la sierra ingleteadora, la cabeza de corte debe asegurarse en la posición abajo.

Para asegurar la cabeza de corte en la posición abajo

1. Baje completamente la cabeza de corte.
2. Tire hacia atrás el pasador de bloqueo (1) hacia el exterior de su aparcados "Desbloquear" posición (a).
3. Gire el pasador de bloqueo un 1/4 de vuelta y, a continuación, suéltelo para "Bloquear" posición (b).

Para desasegurar la cabeza de corte

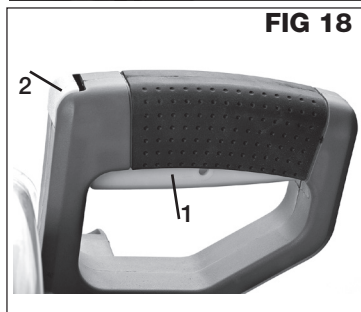
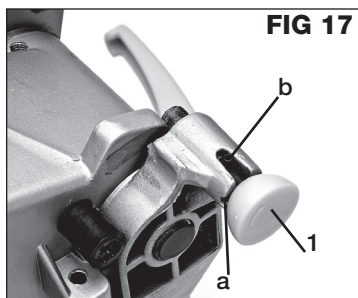
1. Presione levemente hacia abajo sobre la cabeza de corte.
2. Tire hacia atrás el pasador de bloqueo (1) hacia el exterior de su "Bloqueo" la posición (b).
3. Gire el pasador de bloqueo de 1/4 de vuelta, a continuación, suelte en el estacionado o "Desbloquear" la posición (b).
4. Levante lentamente la cabeza de corte hacia la posición de trabajo.

### ARRANQUE Y PARADA DE LA SIERRA INGLETEADORA (FIG 18)

**NOTA:** La sierra está equipado con interruptores de bloqueo de apagado para proporcionar con extra de forma segura.

Para arrancar su sierra ingleteadora, sujete firmemente el asa superior de la sierra, utilice el pulgar para pulsar el interruptores de bloqueo de apagado (2), y luego oprima el gatillo (1).

Para detener la sierra ingleteadora, libere completamente el gatillo del interruptor.



**⚠ ADVERTENCIA:** Después de realizar un corte, libere el gatillo del interruptor para activar el freno eléctrico de la hoja. Mantenga abajo la cabeza de corte hasta que la hoja se detenga completamente antes de levantar la cabeza de corte a la posición arriba o posición de arranque. Una hoja en rotación puede ser peligrosa.

**⚠ ADVERTENCIA:** La fuerza de torsión resultante de la activación del freno eléctrico de la hoja podría aflojar el perno del eje. Revise ocasionalmente el perno del eje y apriételo si es necesario.

### ÁREA DE PELIGRO DE LA MESA (FIG 19)

Sobre la mesa estacionaria, en cada lado de la mesa de ingletes giratoria, hay un símbolo de advertencia “manos” que está fundido en la mesa. El área entre los dos símbolos de “mano” está designada como una “zona peligrosa” y el operario de la sierra ingleteadora nunca debe colocar sus manos dentro de esta área mientras la sierra ingleteadora está en funcionamiento.



**⚠ ADVERTENCIA:** Mantenga sus manos fuera de la “zona de peligro” y afuera de la trayectoria de la hoja de la sierra. Antes de realizar un corte con la sierra ingleteadora, utilice la prensa de sujeción de trabajo suministrada u otros medios de sujeción para sujetar la pieza trabajo en su sitio.

### GIRADO DE LA MESA DE INGLETES (FIG 20)

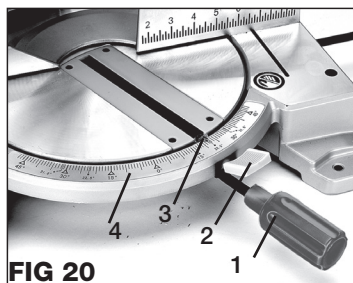
Esta sierra ingleteadora con precisión cortará cualquier ángulo de la recta de 90° a 45° a la izquierda y a la derecha. Para girar la tabla de inglete, afloje la manija de bloqueo de inglete (1) una o dos vueltas en sentido contrario, utilice el pulgar para presionar hacia abajo la palanca de distensión (2) para liberar, a continuación, gire la mesa de ingletes al ángulo deseado utilizando la manija de bloqueo de inglete (1). Cuando el ángulo deseado, gire el manija de bloqueo de inglete (1) en sentido horario para bloquear la mesa de ingletes en su lugar.

**NOTA:** Esta sierra ingleteadora viene con 9 positivos, pulsa en las paradas, de 0° para 90° de corte, la izquierda 15°, 22,5°, 30°, 45°, a la derecha-15°, 22,5°, 30°, 45° para un rápido ajuste de común ángulos de ingletes.

**PRECAUCIÓN:** Antes de cortar con la sierra ingleteadora, siempre apriete la manija de fijación para asegurar la mesa de ingletes en su posición.

### FLECHA INDICADORA Y ESCALA (FIG 20)

Un indicador en forma de flecha (3) está ubicado en el extremo delantero de la placa de inserción de la sierra ingleteadora. Cada línea en la escala de ingletes (4) representa 1°. Cuando se gira la mesa de ingletes, la flecha indicadora se mueve de una línea a la siguiente a lo largo de la escala de ingletes, cambiando el ángulo de corte en un 1 grado.

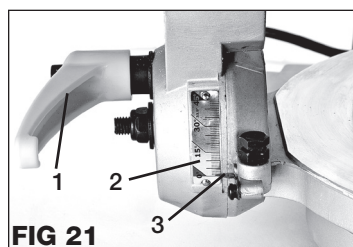


### INCLINACIÓN DE LA CABEZA DE CORTE PARA CORTE DE BISELES (FIG 21)

La sierra de inglete compuesto está equipada con un cabezal de corte que se puede inclinar 45° izquierda

Para la cabeza de corte de bisel izquierdo, afloje la manija de bloqueo del bisel (1) en la parte trasera de la sierra ingleteadora, incline el brazo de corte a la izquierda en el ángulo deseado, y luego apriete la manija de bloqueo de bisel.

Cada línea en la escala de bisel (3) representa un grado de movimiento. El ajuste del ángulo está indicado por un indicador estacionario rojo y la posición del ángulo de bisel del brazo de corte está determinada por la posición del indicador rojo a una línea en la escala de bisel.



Existen posiciones con parada a 0°, 45° IZQUIERDA para ajustes rápidos.

## APLICACIÓN

### OPERACIONES TÍPICAS CON LA SIERRA INGLETEADORA COMPUESTA

**⚠️ ADVERTENCIA:** Antes de realizar cualquier ajuste o durante la configuración previa al corte, siempre verifique que la sierra ingleteadora está desconectada de la fuente de energía. No desconectar o no desenchufar la máquina podría causar arranque accidental, lo que resultaría en lesiones personales graves.

**⚠️ ADVERTENCIA:** Antes de realizar cualquier operación de corte, verifique que la sierra ingleteadora está sujeta o empernad a de manera segura a un banco de trabajo o una superficie de trabajo apropiada. No hacerlo así podría resultar en pérdida del control de la máquina y/o resultar en lesiones personales.

**⚠️ ADVERTENCIA:** Si sostener de manera segura la pieza de trabajo provoca que su mano esté en la "zona de peligro" de la máquina, sujete la pieza de trabajo mediante prensa de sujeción y mueva su mano(s) a una posición segura antes de realizar el corte.

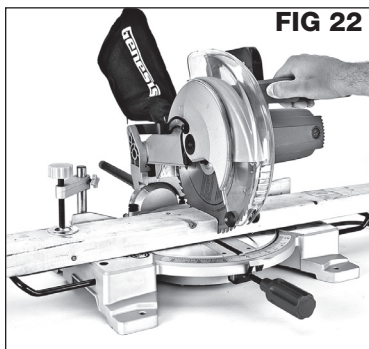
Sin importar el tipo de corte que se va realizar con su sierra ingleteadora compuesta, se utilizan los siguientes pasos de ajuste básicos, a menos que se especifique de otra manera.

1. Revise y confirme que el brazo de corte (posición de bisel) y la mesa giratoria (posición de inglete) están en los valores de ajuste correctos y que las manijas de ajuste relacionadas están aseguradas firmemente en su sitio.
2. Marque la posición del corte deseado sobre la superficie de la pieza de trabajo para garantizar la alineación apropiada de la hoja y el láser.
3. Coloque la pieza de trabajo sobre la mesa de la sierra, alinee la hoja y/o la luz láser con la línea de corte, luego posicónela firmemente contra la guía y sosténgala o sujétela firmemente en su sitio mediante prensa de sujeción. Si utiliza una mano para sostener la pieza de trabajo en su sitio, asegúrese de tener la mano fuera de la "zona de peligro". ¡Nunca intente realizar cortes sin agarrar la herramienta con las manos ni cortar una pieza de trabajo que no está sostenida firmemente contra la guía o la mesa!
4. Encienda la sierra, permitiendo que la hoja alcance su velocidad plena. Baje lentamente la cabeza de corte hacia la pieza de trabajo y realice el corte a una velocidad constante.
5. Al terminar el corte, libere el gatillo del interruptor y permita que la hoja se detenga por completo antes de levantar la hoja y sacar la cabeza de corte fuera del corte realizado.

### CORTE TRANSVERSAL A INGLETE (FIG 22)

Los cortes transversales son cortes realizados transversalmente con respecto a la fibra de la pieza de trabajo, con un corte recto que se realiza con el bisel mediante hoja y la mesa de ingletes ajustados ambos en 0°. Un corte transversal a inglete se realiza cuando la mesa de ingletes está ajustada en un ángulo diferente a 0°.

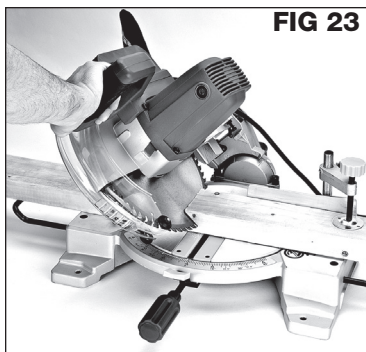
1. Mida y marque la pieza de trabajo con la línea de corte deseado. Marque la pieza de trabajo en cada lado de la línea de corte indicando cuál lado es el desperdicio o corte de desecho y cuál es la pieza terminada deseada.
2. Desbloquear la mesa de ingletes aflojando el perilla de bloqueo de ingletes
3. Utilice la manija de mesa de inglets para girar la mesa, a la izquierda o derecha, hasta el ángulo de corte deseado.
4. Coloque la pieza de trabajo sobre la mesa de la sierra y contra la guía. Encienda la fuente de la luz láser.
5. Mueva la pieza de trabajo hacia la izquierda o derecha para alinear la línea de corte con la hoja de la sierra y la luz láser. Luego asegure la pieza de trabajo en su sitio, sosteniéndola ya sea a mano para piezas grandes o mediante dispositivos de sujeción para piezas pequeñas.
6. Después de confirmar los valores de ajuste de la sierra y que la pieza de trabajo está asegurada, encienda la sierra y realice el corte.



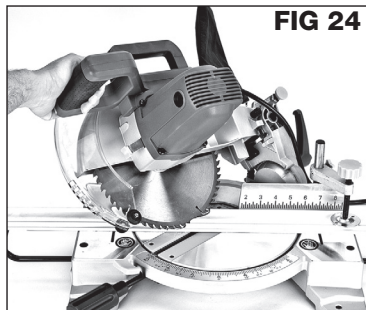
### CORTE DE BISELES

Un corte de bisel se realiza cortando transversalmente con respecto a la fibra de la pieza de trabajo con la hoja en ángulo o inclinada con respecto a la pieza de trabajo. Cuando se realiza un corte de bisel recto, la mesa de ingletes se ajusta en la posición de 0° y la hoja en ángulo y ajustada en una posición entre 0° y 45° izquierda.

1. Mida y marque la pieza de trabajo con la línea de corte deseada. Marque la pieza de trabajo en cada lado de la línea de corte indicando cuál lado es el desperdicio o corte de desecho y cuál es la pieza terminada deseada.
2. Ajuste y asegure en su sitio la mesa de ingletes giratoria en 0°.
3. Afloje la manija de fijación de bisel y mueva el brazo de corte hacia la izquierda hasta el ángulo de bisel deseado según es indicado por la flecha indicadora de la escala de biseles. Apriete la manija de fijación de bisel.
4. Coloque la pieza de trabajo sobre la mesa de la sierra y contra la guía. Encienda la fuente de la luz láser.
5. Mueva la pieza de trabajo hacia la izquierda para alinear la línea de corte con la hoja de la sierra y la luz láser. Luego asegure en su sitio la pieza de trabajo, sosteniéndola a mano o mediante un dispositivo de sujeción.
6. Después de confirmar los valores de ajuste de la sierra y que la pieza de trabajo está asegurada, encienda la sierra y realice el corte.



**FIG 24**



## **CORTE DE INGLETES COMPUESTOS (FIG 24)**

Un inglete compuesto es un corte realizado utilizando al mismo tiempo un valor de inglete y un valor de bisel. Este tipo de corte se utiliza comúnmente para marcos de fotografías, cajas con lados en ángulo, cortes para armazones de techos, y molduras de ribete.

Los valores de inglete compuesto están conformados por ángulos de inglete y de bisel que son interdependientes, por lo tanto, los cortes precisos deseados pueden ser difíciles de obtener. Cuando se cambia un ángulo de inglete, se afecta el valor del ángulo de bisel y viceversa. Podrían requerirse numerosos ajustes y cortes de prueba para obtener el resultado deseado. Cuando se requieren cortes compuestos en proyectos, usualmente se suministran los valores de ajuste, tomados de manuales especializados con valores de ajuste pre-calculados, tablas publicadas, etc. También puede referirse a "Corte de Inglete Compuesto" carta incluida en el manual.

1. Ajuste el ángulo de bisel y el ángulo de inglete según se describió anteriormente y asegurando firmemente las respectivas manijas de ajuste.
2. Para los cortes iniciales, utilice el material de desecho para realizar cortes de prueba para confirmar que los ángulos de bisel y de inglete están ajustados correctamente.
3. Después de confirmar que los valores de bisel y de inglete están correctos, realice los cortes de inglete compuesto según se describió en las secciones separadas anteriores para los cortes de bisel y de inglete

## **CORTE DE MOLDURAS DE BASE**

La moldura de base puede cortarse utilizando dos métodos: colocando verticalmente contra la guía, u horizontalmente, colocando sobre la mesa de ingletes. Utilizar el método vertical está limitado por las capacidades de altura de su sierra ingleteadora compuesta.

### **Corte plano u horizontal**

1. Coloque horizontalmente el respaldo de la moldura de base sobre la mesa de ingletes con la parte inferior de la moldura de base colocada contra la guía.
2. Ajuste el ángulo de inglete en 0°.
3. Encienda el láser y ajuste el bisel de hoja en el ángulo deseado, tal como 45° para una mitad de esquinas de 90°.
4. Alinee la línea de corte ubicada sobre la pieza de trabajo con la hoja y la luz láser.
5. Confirme los valores de ajuste de la sierra, encienda la sierra y realice el corte según se describió anteriormente.

### **Corte Vertical**

1. Coloque verticalmente la moldura de base con el respaldo de la moldura contra la guía y el fondo de la moldura asentándose sobre la mesa de ingletes.
2. Ajuste el ángulo de bisel en 0°.
3. Encienda el láser y ajuste la mesa de ingletes en el ángulo deseado, tal como 45° para una mitad de esquinas de 90°.

- Alinee la línea de corte ubicada sobre la pieza de trabajo con la hoja y la luz láser.
- Confirme los valores de ajuste de la sierra, encienda la sierra y realice el corte según se describió anteriormente.

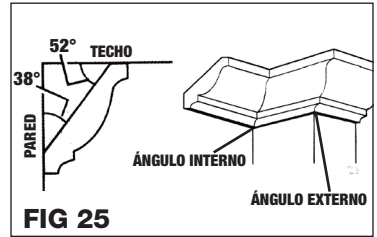
## CORTES DE MOLDURA DE VÉRTICE

Su sierra de ingletes compuestos es la herramienta ideal para cortar molduras de vértice, las cuales hacen puente entre la pared y el cielo raso. El estilo más común de mol 38° donde ésta se encuentra con la pared. Para instalación con esquinas de encaje estrecho donde las piezas derecha e izquierda se encuentran, se requieren valores de ángulo de bisel y de inglete extremadamente precisos.

Hay dos métodos para el corte de molduras de vértice 1) Corte moldura en vértice sobre la mesa de ingletes. 2) Corte moldura en vértice vertical en ángulo contra la guía de inglete.

### Corte de moldura en vértice sobre la mesa de ingletes

Desde los rincones más comunes cuando se utiliza la medida molduras de corona de 90° en el interior y el exterior, las siguientes instrucciones serán para el corte de 52° / 38° moldura en vértice para adaptarse a ángulos de 90° con la moldura en posición horizontal sobre la mesa de la sierra.



ÁNGULO INTERNO	ÁNGULO EXTERNO
Lado izquierdo, 1. Borde superior de la moldura contra la guía 2. Mesa de ingletes ajustada a la derecha en 31.62° 3. Bisel ajustado en 33.85° izquierda 4. Guarde el extremo izquierdo del corte	Lado izquierdo 1. Borde superior de la moldura contra la guía 2. Mesa de ingletes ajustada a la izquierda en 31.62° 3. Bisel ajustado en 33.85° izquierda 4. Guarde el extremo derecho del corte
Lado derecho 1. Borde inferior de la moldura contra la guía 2. Mesa de ingletes ajustada a la izquierda en 31.62° 3. Bisel ajustado en 33.85° izquierda 4. Guarde el extremo izquierdo del corte	Lado derecho 1. Borde superior de la moldura contra la guía 2. Mesa de ingletes ajustada a la derecha en 31.62° 3. Bisel ajustado en 33.85° izquierda 4. Guarde el extremo derecho del corte

**NOTA:** Cuando se cortan mientras que las esquinas en las cuales usted estará trabajando raramente miden exactamente 90°. Por lo tanto, prepárese para hacer numerosos cortes de práctica con molduras de desperdicio para ayudar a afinar los valores de ajuste de su sierra.

Para el corte de moldura en vértice plana para la otra esquina del 90°, por favor consulte la sección "[Ángulos de inglete de la moldura de vértice](#)".

### Corte de moldura en vértice vertical en ángulo contra la guía de inglete

Utilice siempre una valla moldura en vértice cuando se corta moldura en vértice en ángulo contra la guía de inglete. Cuando moldura en vértice de corte en ángulo contra la guía de inglete no requiere ajustes de bisel. Pequeños cambios en el ángulo de inglete se puede hacer sin afectar el ángulo de bisel. Cuando se utiliza este método, la sierra puede ser rápida y fácilmente ajustado para las esquinas que no son 90° (cuadrado).

Al cortar moldura en vértice en este método, la parte inferior de la moldura va en contra de la guía de inglete. Piense en la mesa de la sierra es el techo, y la guía como la pared. Angulares "Flats" en la parte posterior de la moldura debe descansar directamente sobre la guía y la base de la sierra.

Para el corte de moldura en vértice de la esquina de 90°. Ver la siguiente instrucción

ÁNGULO INTERNO	ÁNGULO EXTERNO
Lado izquierdo: 1) Mesa de ingletes ajustada a la derecha en 45° 2) Guarde el extremo derecho del corte	Lado izquierdo 1) Mesa de ingletes ajustada a la izquierda en 45° 2) Guarde el extremo derecho del corte
Lado derecho 1) Mesa de ingletes ajustada a la izquierda en 45° 2) Guarde el extremo izquierdo del corte	Lado derecho 1) Mesa de ingletes ajustada a la derecha en 45° 2) Guarde el extremo izquierdo del corte

## CORTE DE PIEZAS DE TRABAJO COMBADAS

**NOTA:** Se recomienda no cortar materiales combados.

Algunas veces no hay otra opción sino utilizar una pieza de material combado. Para cortar piezas de trabajo combadas, verifique que ésta esté posicionada sobre la mesa de la sierra ingleteadora con el lado convexo contra la guía. NO coloque el lado cóncavo de la pieza de trabajo contra la guía de la sierra ingleteadora; en el momento de ser cortada ésta colapsará cerca de la finalización del corte, pellizcando la hoja

**⚠ ADVERTENCIA:** Para evitar posibles lesiones personales graves y posible golpe de retroceso, nunca coloque la parte cóncava del material arqueado o combado contra la guía.

## ÁNGULOS DE INGLETE DE LA MOLDURA DE VÉRTICE

TIPO	38°/52°	45°/45°	TIPO	38°/52°	45°/45°
Ángulo de la pared	Inglete/Bisel	Inglete/Bisel	Ángulo de la pared	Inglete/Bisel	Inglete/Bisel
67	42.93/41.08	46.89/36.13	107	24.49/27.95	27.62/24.87
68	42.39/40.79	46.35/35.89	108	24.10/27.59	27.19/24.56
69	41.85/40.50	45.81/35.64	109	23.71/27.23	26.77/24.24
70	41.32/40.20	45.28/35.40	110	23.32/26.87	26.34/23.93
71	40.79/39.90	44.75/35.15	111	22.93/26.51	25.92/23.61
72	40.28/39.61	44.22/34.89	112	22.55/26.15	25.50/23.29
73	39.76/39.30	43.70/34.64	113	22.17/25.78	25.08/22.97
74	39.25/39.00	43.18/34.38	114	21.79/25.42	24.66/22.65
75	38.74/38.69	42.66/34.12	115	21.42/25.05	24.25/22.33
76	38.24/38.39	42.15/33.86	116	21.04/24.68	23.84/22.01
77	37.74/38.08	41.64/33.60	117	20.67/24.31	23.43/21.68
78	37.24/37.76	41.13/33.33	118	20.30/23.94	23.02/21.36
79	36.75/37.45	40.62/33.07	119	19.93/23.57	22.61/21.03
80	36.27/37.13	40.12/32.80	120	19.57/23.20	22.21/20.70
81	35.79/36.81	39.62/32.53	121	19.20/22.83	21.80/20.38
82	35.31/36.49	39.13/32.25	122	18.84/22.46	21.40/20.05
83	34.83/36.17	38.63/31.98	123	18.48/22.09	21.00/19.72
84	34.36/35.85	38.14/31.70	124	18.13/21.71	20.61/19.39
85	33.90/35.52	37.66/31.42	125	17.77/21.34	20.21/19.06
86	33.43/35.19	37.17/31.14	126	17.42/20.96	19.81/18.72
87	32.97/34.86	36.69/30.86	127	17.06/20.59	19.42/18.39
88	32.52/34.53	36.21/30.57	128	16.71/20.21	19.03/18.06
89	32.07/34.20	35.74/30.29	129	16.37/19.83	18.64/17.72
90	31.62/33.86	35.26/30.00	130	16.02/19.45	18.25/17.39
91	31.17/33.53	34.79/29.71	131	15.67/19.07	17.86/17.05
92	30.73/33.19	34.33/29.42	132	15.33/18.69	17.48/16.71
93	30.30/32.85	33.86/29.13	133	14.99/18.31	17.09/16.38
94	29.86/32.51	33.40/28.83	134	14.65/17.93	16.71/16.04
95	29.43/32.17	32.94/28.54	135	14.30/17.55	16.32/15.70
96	29.00/31.82	32.48/28.24	136	13.97/17.17	15.94/15.36
97	28.58/31.48	32.02/27.94	137	13.63/16.79	15.56/15.02
98	28.16/31.13	31.58/27.64	138	13.30/16.40	15.19/14.68
99	27.74/30.78	31.13/27.34	139	12.96/16.02	14.81/14.34
100	27.32/30.43	30.68/27.03	140	12.63/15.64	14.43/14.00
101	26.91/30.08	30.24/26.73	141	12.30/15.25	14.06/13.65
102	26.50/29.73	29.80/26.42	142	11.97/14.87	13.68/13.31
103	26.09/29.38	29.36/26.12	143	11.64/14.48	13.31/12.97
104	25.69/29.02	28.92/25.81	144	11.31/14.09	12.94/12.62
105	25.29/28.67	28.48/25.50	145	10.99/13.71	12.57/12.28
106	24.78/28.31	28.05/25.19	146	10.66/13.32	12.20/11.93



## CORTE DE INGLETE COMPUESTO

Para ayudar en la toma de la configuración correcta, el Corte de Inglete Compuesto de tabla de ajuste de abajo es de siempre. Desde cortes compuestos son los más difíciles de obtener la precisión, hacer cortes de prueba en material de desecho antes de hacer el corte requerido.

Pendiente	Lados						
	4	5	6	7	8	9	10
0°	M-45.00° B- 0.00°	M-36.00° B- 0.00°	M-30.00° B- 0.00°	M-25.71° B- 0.00°	M-22.50° B- 0.00°	M-20.00° B- 0.00°	M-18.00° B- 0.00°
5°	M-44.89° B- 3.53°	M-35.90° B- 2.94°	M-29.91° B- 2.50°	M-25.63° B- 2.17°	M-22.42° B- 1.91°	M-19.93° B- 1.71°	M-17.94° B- 1.54°
10°	M-44.56° B- 7.05°	M-35.58° B- 5.86°	M-29.62° B- 4.98°	M-25.37° B- 4.32°	M-22.19° B- 3.81°	M-19.72° B- 3.40°	M-17.74° B- 3.08°
15°	M-44.01° B- 10.55°	M-35.06° B- 8.75°	M-29.15° B- 7.44°	M-24.95° B- 6.45°	M-21.81° B- 5.68°	M-19.37° B- 5.08°	M-17.42° B- 4.59°
20°	M-43.22° B- 14.00°	M-34.32° B- 11.60°	M-28.48° B- 8.53°	M-24.35° B- 8.53°	M-21.27° B- 7.52°	M-18.88° B- 6.72°	M-16.98° B- 6.07°
25°	M-42.19° B- 17.39°	M-33.36° B- 14.38°	M-27.62° B- 12.20°	M-23.56° B- 10.57°	M-20.58° B- 9.31°	M-18.26° B- 8.31°	M-16.98° B- 7.50°
30°	M-40.89° B- 20.70°	M-32.18° B- 17.09°	M-26.57° B- 14.48°	M-22.64° B- 12.53°	M-19.73° B- 11.03°	M-17.50° B- 9.85°	M-15.72° B- 8.89°
35°	M-39.32° B- 23.93°	M-30.76° B- 19.70°	M-25.31° B- 16.67°	M-21.53° B- 14.41°	M-18.74° B- 12.68°	M-16.60° B- 11.31°	M-14.90° B- 10.21°
40°	M-37.45° B- 27.03°	M-29.10° B- 22.20°	M-23.86° B- 18.75°	M-20.25° B- 16.19°	M-17.60° B- 14.24°	M-15.58° B- 12.70°	M-13.98° B- 11.46°
45°	M-35.26° B- 30.00°	M-27.19° B- 24.56°	M-22.21° B- 20.70°	M-18.80° B- 17.87°	M-16.32° B- 15.70°	M-14.43° B- 14.00°	M-12.94° B- 12.62°
50°	M-32.73° B- 32.80°	M-25.03° B- 26.76°	M-20.36° B- 22.52°	M-17.20° B- 19.41°	M-14.91° B- 17.05°	M-13.17° B- 15.19°	M-11.80° B- 13.69°
55°	M-29.84° B- 35.40°	M-22.62° B- 28.78°	M-18.32° B- 24.18°	M-15.44° B- 20.82°	M-13.36° B- 18.27°	M-11.79° B- 16.27°	M-10.56° B- 14.66°
60°	M-26.57° B- 37.76°	M-19.96° B- 30.60°	M-16.10° B- 25.66°	M-13.54° B- 22.07°	M-11.70° B- 19.35°	M-10.31° B- 17.23°	M-9.23° B- 15.52°
65°	M-22.91° B- 39.86°	M-17.07° B- 32.19°	M-13.71° B- 26.95°	M-11.50° B- 23.16°	M-9.93° B- 20.29°	M-8.74° B- 18.06°	M-7.82° B- 16.26°
70°	M-18.88° B- 41.64°	M-13.95° B- 33.53°	M-11.17° B- 28.02°	M-9.35° B- 24.06°	M-8.06° B- 21.08°	M-7.10° B- 18.75°	M-6.34° B- 16.88°
75°	M-14.51° B- 43.08°	M-10.65° B- 34.59°	M-8.50° B- 28.88°	M-7.10° B- 24.78°	M-6.12° B- 21.69°	M-5.38° B- 19.29°	M-4.81° B- 17.37°
80°	M-9.85° B- 44.14°	M-7.19° B- 35.37°	M-5.73° B- 29.50°	M-4.78° B- 25.30°	M-4.11° B- 22.14°	M-3.62° B- 19.68°	M-3.23° B- 17.72°
85°	M-4.98° B- 44.78°	M-3.62° B- 35.84°	M-2.88° B- 29.87°	M-2.40° B- 25.61°	M-2.07° B- 22.41°	M-1.82° B- 19.92°	M-1.62° B- 17.93°
90°	M-0.00° B- 45.00°	M-0.00° B- 36.00°	M-0.00° B- 30.00°	M-0.00° B- 25.71°	M-0.00° B- 22.50°	M-0.00° B- 20.00°	M-0.00° B- 18.00°

Español

## **MANTENIMIENTO**

**⚠ ADVERTENCIA:** Antes de realizar cualquier ajuste o durante la configuración previa al corte, siempre verifique que la sierra ingleteadora está desconectada de la fuente de energía. No desconectar o no desenchufar la máquina podría causar arranque accidental, lo que resultaría en lesiones personales graves.

### **LIMPIEZA**

Evite el empleo de solventes al limpiar piezas de plástico. La mayoría de los plásticos son susceptibles a diferentes tipos de solventes comerciales y pueden resultar dañados. Utilice paños limpios para eliminar la suciedad, el polvo, el aceite, la grasa, etc.

**⚠ ADVERTENCIA:** No permita en ningún momento que fluidos para frenos, gasolina, productos a base de petróleo, aceites penetrantes, etc., lleguen a tocar las piezas de plástico. Las sustancias químicas pueden dañar, debilitar o destruir el plástico, lo cual a su vez puede producir lesiones corporales serias.

Las herramientas eléctricas que se utilizan en materiales de fibra de vidrio, paneles de yeso para paredes, compuestos de resanar o yeso, están sujetas a desgaste acelerado y posible fallo prematuro porque las partículas y limaduras de fibra de vidrio son altamente abrasivas para los cojinetes, escobillas, conmutadores, etc. Por consiguiente, no recomendamos el uso de esta herramienta durante períodos prolongados de trabajo en estos tipos de materiales. Sin embargo, si usted trabaja con cualquiera de estos materiales, es sumamente importante limpiar la herramienta con aire comprimido.

## **GARANTÍA DE DOS AÑOS**

Este producto está garantizado contra defectos de material y de fabricación durante 2 años a partir de la fecha de compra. Esta garantía limitada no cubre el desgaste normal o daños por negligencia o accidente. El comprador original está cubierto por esta garantía y no es transferible. Antes de devolverlo su herramienta para almacenar la ubicación de la compra, por favor llame gratis a la línea de ayuda para las posibles soluciones.

***LOS ACCESORIOS INCLUIDOS CON ESTE JUEGO NO TIENEN 2 AÑOS DE GARANTÍA.***

## **LÍNEA DE AYUDA GRATUITA**

Para preguntas acerca de este o cualquier otro producto GENESIS llame gratuitamente al teléfono:

**888-552-8665.**

O visite nuestro sitio web: **[www.genesispowertools.com](http://www.genesispowertools.com)**

©Richpower Industries, Inc. All Rights reserved

Richpower Industries, Inc.  
736 Hampton Road  
Williamston, SC 29697

Printed in China, on recycled papers

***Genesis***

Richpower Industries, Inc.  
736 Hampton Road  
Williamston, SC USA  
[www.richpowerinc.com](http://www.richpowerinc.com)