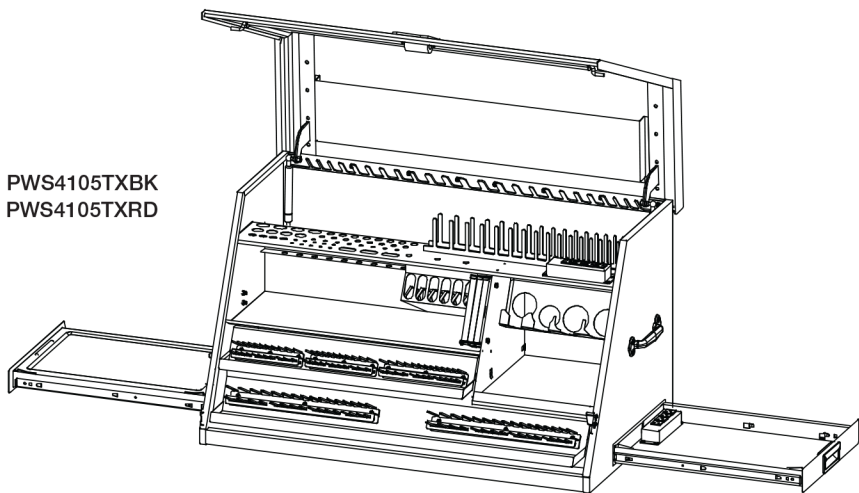




## Painted Steel Portable Toolbox Manual

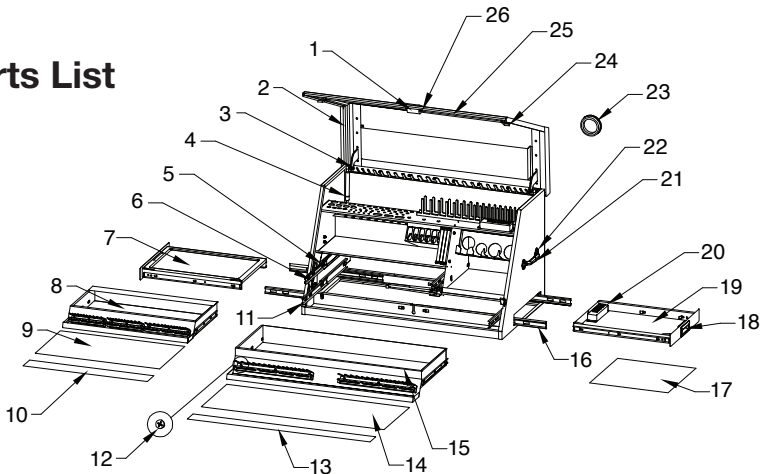
Model Number:  
PWS4105TX

Component from Combo Number:  
PWSRC4129TX



**Extreme Tools Inc.**  
740 Frontenac Road  
Naperville, IL 60563  
630-369-9303

# Parts List



Ref #	Description	Part #	Qty
1	Latch and Key (801-810)	304042	1
2	Weather Stripping	314141	2
3	Lock Nut	323000	4
4	Gas Spring	303034	2
5	Slide Set	300048-300049	1
6	Striker Kit Set	304015-304016	1
7	Tray	107029	1
8	Drawer	107015	1
9	Drawer Liner	551212	1
10	Drawer Liner	551239	1
11	Slide Set	300002-300003	1
12	M6 x 10 Counter Sink Screw	320209	15
13	Drawer Liner	551240	1
14	Drawer Liner	551213	1
15	Drawer	107017	1
16	Slide Set	300146-300147	2
17	Drawer Liner	551214	1
18	Drawer Pull	306109	2
19	Drawer	107027	1
20	Power Strip	333019	2
21	Side Handle	306039	2
22	M6 x 19 Counter Sink Screw	320021	8
23	Grommet	314027	2
24	Rod	304069	2
25	Weather Stripping	314131	1
26	Cotter Pin	326003	3



The keys are taped to the top storage area of the chest.

Replacement keys may be ordered using the code that appears on the face of the lock.

To order replacement parts, have the part number and quantity ready.

Not all parts are available under warranty. Those parts not available may be purchased.

# Operation

## Maintenance

Periodically clean the unit surfaces with mild detergent and water.

Auto wax can be used on painted toolboxes to preserve the unit's luster finish and protect against scratches. Apply the wax as you would to a car.

Grease and oil can be removed with most standard cleaning fluids. For safety, use a nonflammable cleaning fluid.

## Safety

### WARNING

DO NOT attempt to lift the unit by its side handles using chains, ropes or other lifting devices. The side handle could fail, which may cause personal injury or damage to the product.

DO NOT stand on the toolbox.

DO NOT alter this toolbox in any manner. For example, do not weld external lockbars or attach electrical equipment. This may cause product damage or personal injury.

Lock the lid before moving this product. The lid could come open and make the product unstable, which may cause personal injury or product damage.

Be careful with sharp edges.

### CAUTION

Keep the product on level surfaces. The product could become unstable and tip if stored on an uneven surface, which may cause personal injury or product damage.

Always wear ANSI approved safety goggles when working with tools and equipment.

**IMPORTANT: TOOL BOX MUST BE LOCKED USING KEY BEFORE MOVING.**