



HEININGER ADVANTAGE® SPORTS RACK

glideAWAY® 2

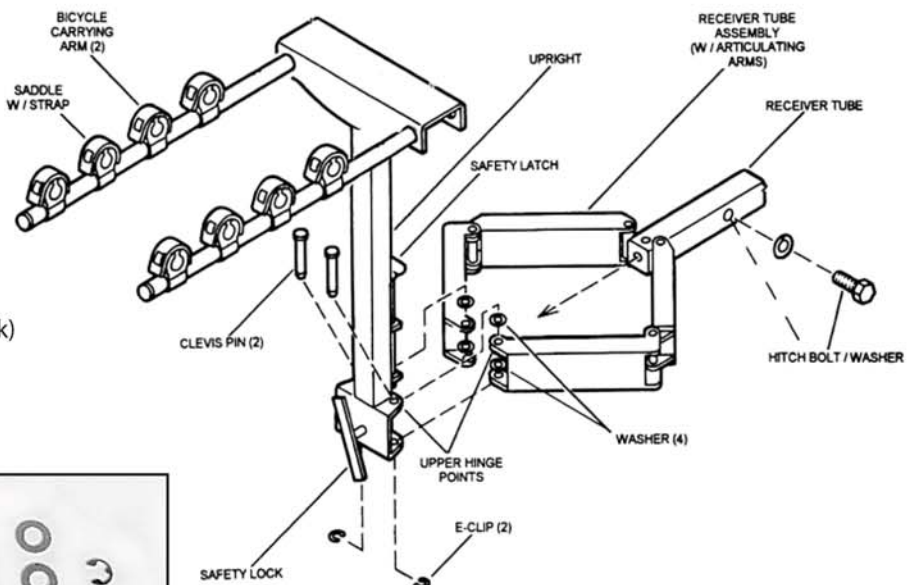
4 BIKE CARRIER

INSTRUCTIONS FOR USE

If you would like to view the video for this assembly and the product itself, go to: <http://youtu.be/-QhupdJIUXU>

Contents:

- 1 – glideAWAY® Upright assembly
- 1 – Lower Receiver foot/articulating arms assembly (including receiver insert)
- 1 – 1 Large hex key (Allen Wrench)
- 1 – 1 Smaller Hex Key (Allen Wrench)
- 8 - Saddle Straps
- 2 – Clevis Pins
- 4 – Washers for above pins
- 2 – E-Clips to secure above pins
- 1 - Hitch connection (to receiver) bolt (black)
- 1 – Bridge pin (black) for above bolt
- 1 – Lock washer for above bolt



If any components are missing, please call our toll free number, 888-722-5240, or email us at: info@heininger.biz

Assembling Your glideAWAY® Bike Carrier

- 1** For a 2" receiver leave the black aluminum sleeve on the foot.
For a 1.25" receiver remove the black aluminum sleeve from the foot by using the included hex keys.

Warning!

Do not exceed load rating for the hitch-mounting bracket specified by its manufacturer. Consult hitch-mounting manufacture for load limit if not shown on mount or in the vehicle literature. If load limit is unknown, limit rack capacity to 2 bikes. This carrier has been designed to attach securely to a vehicle. It may not be compatible with all RV applications and is not to be used on the back of a travel trailer or fifth wheel. However, your attachment is critical and beyond control of the manufacturer. The user of this carrier must secure it properly to the vehicle and you need to regularly inspect parts for wear or damage. The Manufacturer is not responsible for and does not guarantee the attachment of this carrier to any vehicle, and is not liable for any damages resulting from its attachment. The liability of Heininger Holdings, LLC, is limited to the purchase price of the carrier components which prove defective in materials and/or workmanship. Be aware that some countries/states/provinces require an unobstructed view of the vehicle license plate. If rack or its cargo obstructs the plate, you may need to relocate your license plate. Consult your local vehicle code for restrictions and rules.

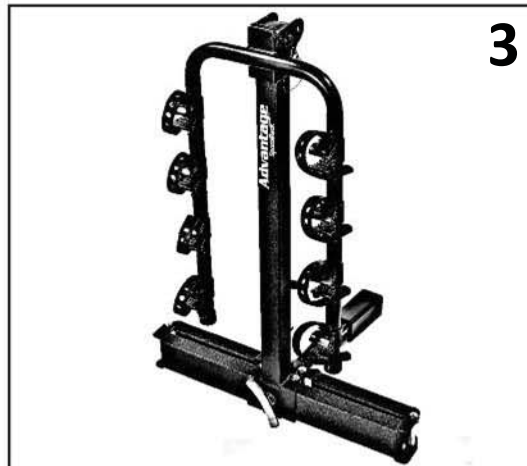
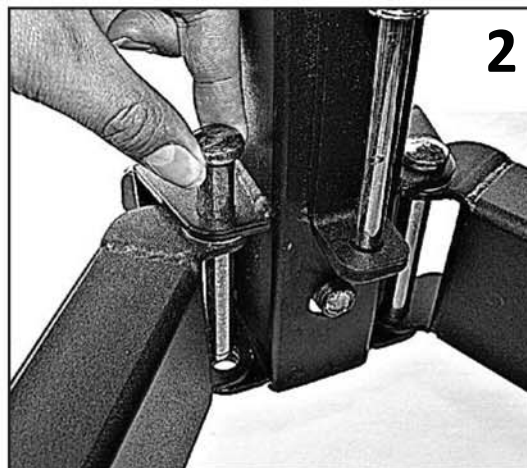
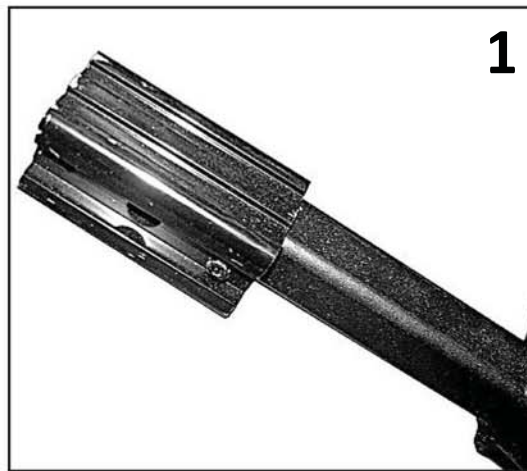
We recommend no more than 150 lbs. & never more than 4 bikes on your glideAWAY

Locate the receiver tube assembly (the heavy subassembly wrapped in the brown corrugated insert) and the upright (the T-shaped component). These two parts make up the base components for the rack.

- 2**
 - Place the upright in position perpendicular to the receiver tube assembly.
 - Align the holes of the receiver tube assembly articulating arms with the lower two holes of the upright. (Make sure the center hole in the top of the receiver tube is facing upward).
 - Insert the washers between the upper hinge points of the upright and receiver tube assembly and the lower hinge points of the upright and receiver tube assembly. The washers keep the units from scraping and abrading.
 - Align the holes of the upright and receiver tube assembly. Insert the clevis pins to secure the two components together.
 - Lay assembled unit on its side.
 - Attach e-clip to the lower portion of each exposed clevis pin.
- 3**
 - Pull rack closed (traveling position) until safety latch mechanism and receiver tube assembly snap shut. Tighten the safety lock which is the large wing handle protruding from the lower portion of the upright. Note that the alignment for this will line-up best after installed in the hitch. Gravity has a lot to do with fit & alignment.

The bike arms can also be lowered when not in use.

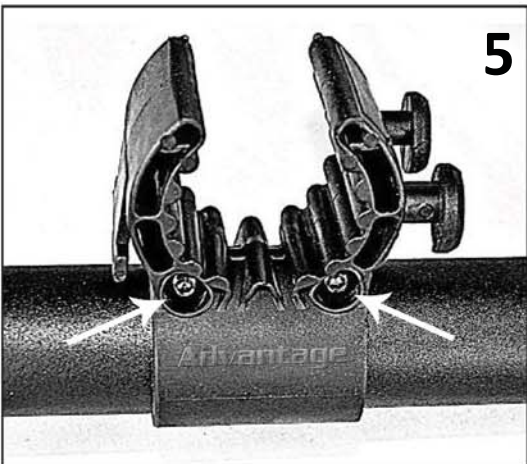
- Simply remove the clevis pin from the upright, lower the arms so they are parallel with the upright and insert the clevis pin, securing it with the bridge pin. Now you can travel with the bike arms in the lowered position.





4 Connecting Your glideAWAY® Bike Rack to Vehicle

- Slide receiver tube of assembled rack into the 2" x 2" or 1.25" x 1.25" hitch of your vehicle.
- Feed the lock washer onto the hitch bolt then the flat washer.
- Insert the hitch bolt into the receiver hole and align with hole in the receiver tube. There are several for you to choose from. The goal is to lessen the amount of leverage for the bike carrier from the vehicle so do your best to get the rack upright as close to the rear of the vehicle as you can.
- Once aligned thread the bolt into the receiver tube and tighten with an appropriate wrench.
- Adjust the bike arms to the upright position and insert the clevis pin in the open hole where the upright and arms meet. Secure the snap pin once the arms are in place.
- To glide the bike carrier away from vehicle, simply loosen the large screw handle from the base of the rack and lift the t-handle, the upright can now be rotated out and to either side of the vehicle.



Placing Bicycles on your glideAWAY® Bike Carrier.

- Place bicycle(s) in saddles of bicycle-carrying arms and secure with included straps. The top tube of your bicycle should ride level between the corresponding saddles of each bicycle arm. If your particular bicycle frame does not ride level, the saddle can be rotated to accommodate another part of your frame, be it horizontal or vertical.

5

- Once saddles are in desired location, you can tighten them with a screw driver.
- Install strap by stretching the rectangular hole over rectangular-hook fastener on saddle and pull strap over bike and saddle to connect to either peg, right or left.

6

- When not in use, make sure you either remove and store the straps from the saddles or attach them completely to the saddles so they are not blown off the rack when the vehicle is driven. If you lose straps, they can be ordered from Advantage® Sports Rack directly.



7 Maintaining Your glideAWAY®

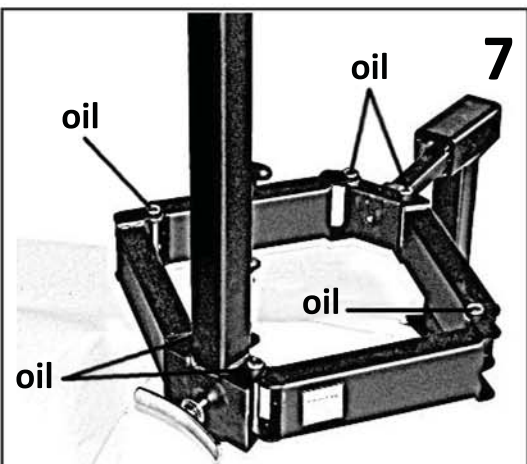
Keep your glideAWAY® in its best working condition by performing routine maintenance.

- Check screws, bolts, straps and clips to make sure they are secured and in proper working order before every use. Periodically also check these during routine stops on each trip taken.
- Pivot points should be oiled regularly with light machine type oil (3inOne)
- Wash your glideAWAY routinely, everytime you wash your vehicle

Rules of the Road on the Use of Your glideAWAY®

Be safe; take time before travel to make sure the rack and cargo are securely fastened and in proper working order.

- Before you drive, with your rack in place, make sure every bolt and nut are tight and securely in place.
- Do not use this product for anything other than for that which it was designed or to carry more than the specified amount of bikes or a cumulated weight.
- This product is not to be used as a stepladder or elevator in anyway.
- Remove the rack before entering a car wash.
- Do not operate vehicle when rack is not in the secure and upright position.
- Always check travel-lock to insure it is secure before and during your travels.
- Check to see that bikes are securely fastened and insure there is nothing dragging behind the vehicle.
- Use of loaded rack on rough road surfaces could result in bike damage.



Please call our toll free number, 888-722-5240,
with any questions you have about this product.



**Limited Liability,
Two-Year Warranty Policy**

Heininger Holdings, LLC, warrants the original owner of each new Advantage® Sports Rack against defects in workmanship and materials for two years from the date of purchase (at retail) of the product, provided it is purchased from an authorized Advantage® Sports Rack dealer. This Limited Two Year Warranty is not transferable and shall only apply to normal and ordinary use, for which the product was intended.

Warranty claims are to be made directly to Heininger Holdings and must be accompanied by a sales receipt or other appropriate proof-of-purchase document. An Advantage® Sports Rack Limited Two Year product warranty registration must be completed and submitted to www.heininger.biz before warranty claims may be processed. Should this sports rack or any part or accessory be determined by Heininger Holdings, to be defective and covered by this Limited Two Year Warranty, it will be repaired or replaced at the option of Heininger Holdings, without further charge. The cost of transportation to and from the Heininger warranty inspection facility for repair or replacement of any defective part and/or accessory and any related charges is not covered by this warranty, and is to be paid by the owner.

The warranty does not cover normal wear and tear, worn and normal use cosmetic blemishes, improper assembly, lack of maintenance, or custom alteration/installation of any parts or accessories not originally intended or compatible with the product as sold. The warranty does not apply to damage or failure resulting from an accident, abuse or neglect.

This warranty is given in lieu of all other expressed warranties, implied warranties, including without limitation implied warranties of merchandising ability and fitness for a particular purpose, and are limited to the duration and specification of this warranty. In no event shall Heininger Holdings, be liable for damages in excess of the purchase price of the Advantage® Sports Rack, for any loss of use, loss of time, inconvenience, commercial loss, lost profits or savings or any incidental, special, consequential, direct or indirect damages arising out of the use or inability to use such product, to the full extent as such may be disclaimed by the law. Labor charges for part changeover are not covered by this warranty.

Heininger Holdings, LLC
Bellingham, WA 98229
360-756-2411
www.heininger.biz

Patent Number 6,104,508
Made in Taiwan

Advantage® & glideAWAY® are registered trademarks of Heininger Holdings, LLC

