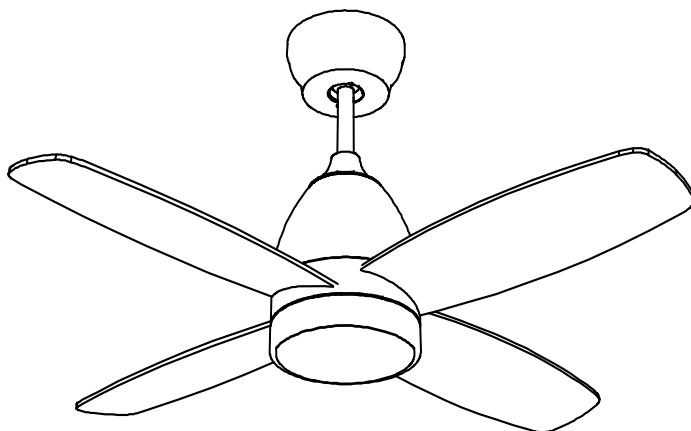


Manual Book

Ceiling Fan with Lights

Model No.: FS6930-01

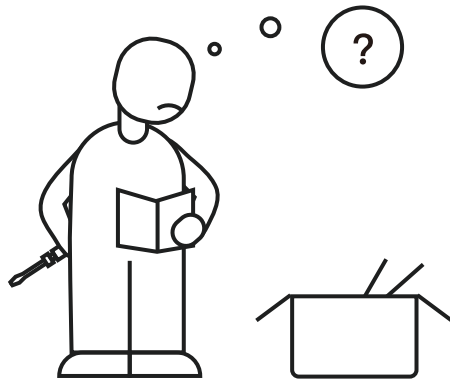


Scan for Installation Video



APP Control Applicable

Contact Information

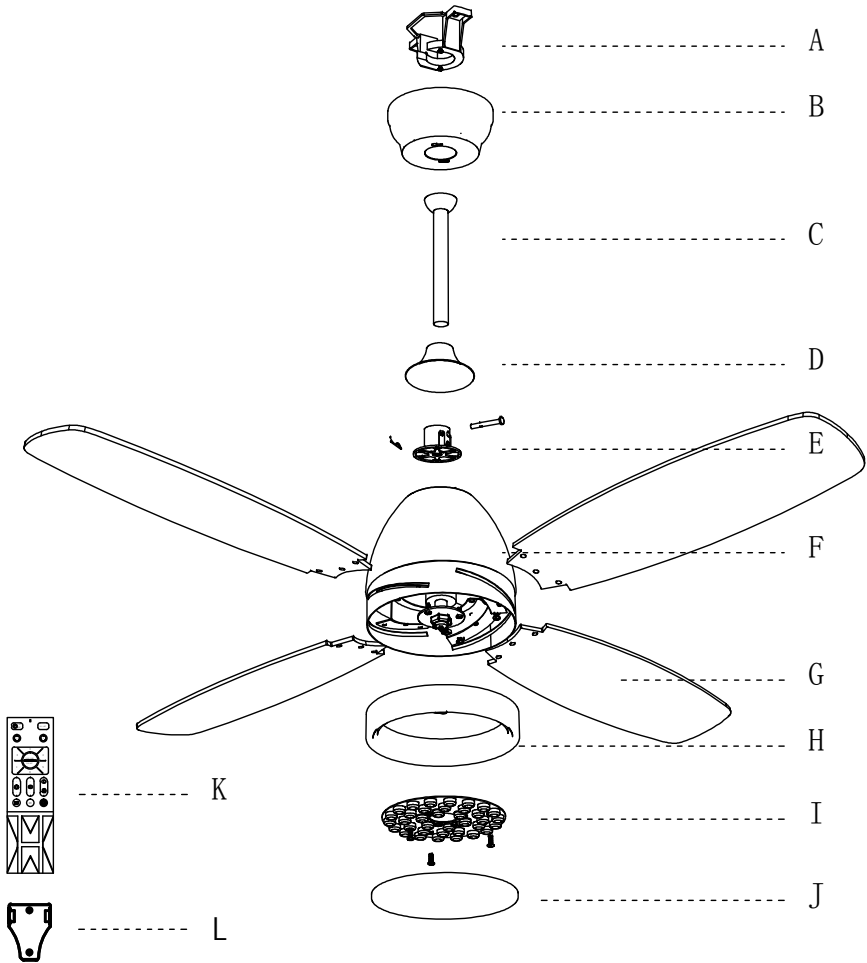


Please contact us with following information:

1. Screen shot of your order page, including product picture, name and order ID number.
2. Problem details with pictures / short video if possible.

✉ **Email: lightingcustomercare@gmail.com**

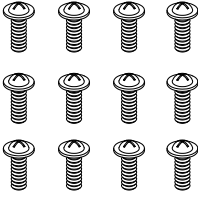
Packing List



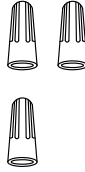
Part	Description	Quantity
A	Mounting Bracket	1
B	Canopy	1
C	Downrod Assembly	2
D	Coupling Cover	1
E	Downrod Hub	1
F	Fan Assembly	1

Part	Description	Quantity
G	Fan blade	4
H	Iron basin	1
I	LED light	1
J	Lamp shade	1
K	Remote Control	1
L	Remote Holder	1

Installation kit



AA



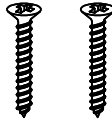
BB



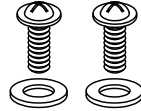
CC



DD



EE



FF

Part	Description	Quantity
AA	Fan blade Screw	12
BB	Wire nut	3
CC	Pair of Gloves	1
DD	Clevis Pin & "R" Pin (assembled)	1 Set
EE	Wood Screw (optional)	2
FF	Machine Screw & Washer for Outlet Box (spares)	2

Note:

Some extra hardware may be included. The quantity listed above is the number required for installation.

Safety Rules

1. Be sure the power to the wires you are working on is disconnected, either the fuse is removed or the circuit breaker is turned off. Turning the power off using the light switch is not sufficient to prevent electrical shock.
2. A qualified licensed electrician is required for the installation.
3. The outlet box and support structure must be securely mounted and capable of reliably /supporting a minimum of 50 pounds. Use only UL (cUL for Canadian Installation) listed mounting boxes marked "FOR FAN SUPPORT".
4. The fan must be mounted with a minimum of 7 feet clearance from the trailing edge of the blades to the floor.
5. Do not operate reversing switch while fan blades are in motion (if applicable). Fan must be turned off and blades stopped before reversing blade direction.
6. Do not place any objects in the path of the blades.
7. To avoid personal injury or damage to the fan and other items, be cautious when working around or cleaning the fan.
8. Do not use water or detergents when cleaning the fan or fan blades. A dry dust cloth or lightly dampened soft cloth will be suitable for the cleaning.
9. After marking electrical connections, spliced conductors should be turned upward and pushed carefully up into outlet box. The wires should be spread apart with the grounded conductor on one side of the outlet box.
10. Electrical diagrams are reference only, different fan light may have different light shade and bulbs.
11. Use only our replacement parts. This equipment has been tested and found to comply with the limits for a class B digital device, pursuant to part 15 of the FCC Rules. These limits are to provide reasonable protection against harmful interference in a residential installation. This equipment generates, uses and can radiate radio frequency energy and if not installed and used in accordance with the instructions may cause harmful interference to radio communications.

Warning:

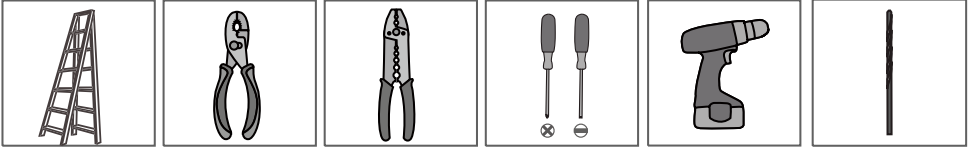
To reduce the risk of personal injury, use only the two steel screws and washers provided with the outlet box for mounting to the outlet box. Most outlet boxes commonly used for the support of lighting fixtures are not acceptable for fan support and need to be replaced, consult a qualified electrician if in doubt.

To reduce the risk of fire, electric shock or person injury, mount fan to outlet box marked "acceptable for fan support".

To reduce the risk of personal injury, do not bend the blade brackets (also referred to as flanges) during assembly or after installation. Do not insert objects in the path of the blades.

Installation Preparation

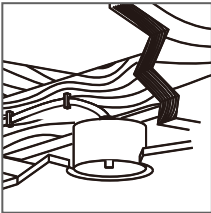
Tools You Need



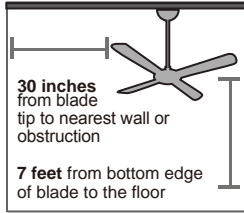
- Ladder
- Pliers
- Wire Strippers
- Screwdrivers
- Power Drill (optional)
- Drill Bit (optional)

If mounting to a support structure, you will also need the optional tools.

What to Expect with Your Installation



- Must be able to secure the fan to building structure or fan-rated outlet box



- Assess location



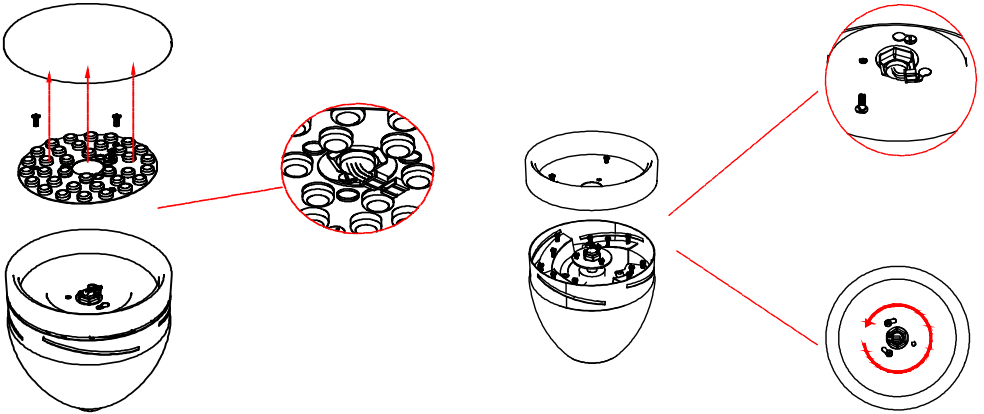
- Check box to see fan weight



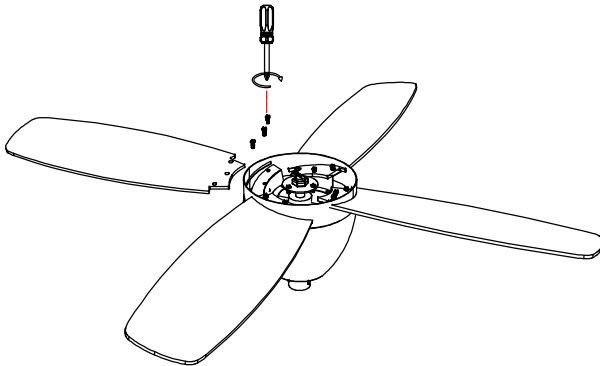
- Angled Ceiling not supported

Installation Step 1 (Assemble the Blades)

1. Unplug the wires of the light source.
2. Twist out the fixing screws of the lamp panel.
3. Twist out the fixing screws of the Iron basin.
4. Rotate Iron basin counterclockwise and remove it.



5. Align the blades with the mounting holes, fix them with blade screws and lock washers.

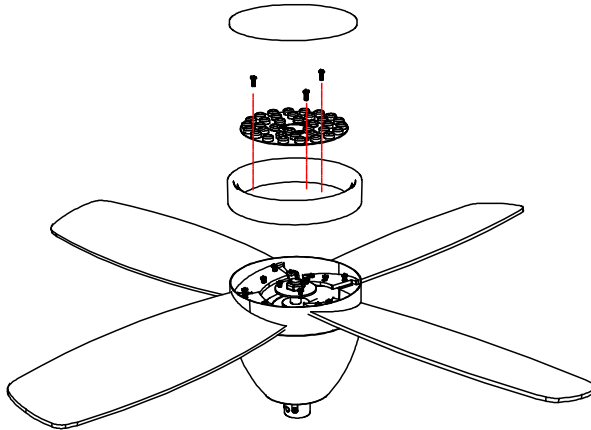


Note:

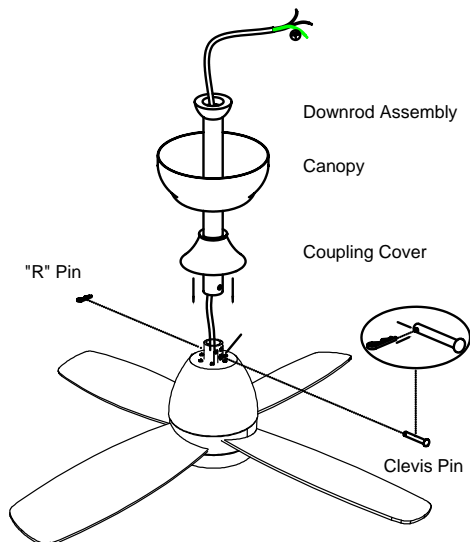
- ① Make sure to assemble the blades in sequence and fasten the screws with equal force.
- ② Sometimes, the screws may be assembled onto the motor already, you need to take them off first.

Installation Step 2 (Fix the LED Panel)

6. Install the lamp panel and lamp shade in the order of disassembly.



7. Step 1. Remove the clevis pin and "R" pin from the downrod assembly.
Step 2. Assemble the canopy and coupling cover.
Step 3. Route wires from the fan through downrod assembly.



Installation Step 3 (Mount the Bracket)

8. Step 1. Loosen the set screws from the downrod hub but do not take off.

Align the holes at the bottom of the downrod with the holes in the downrod hub.

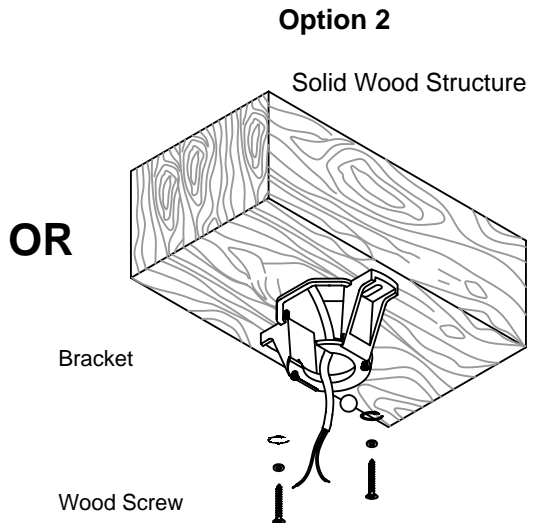
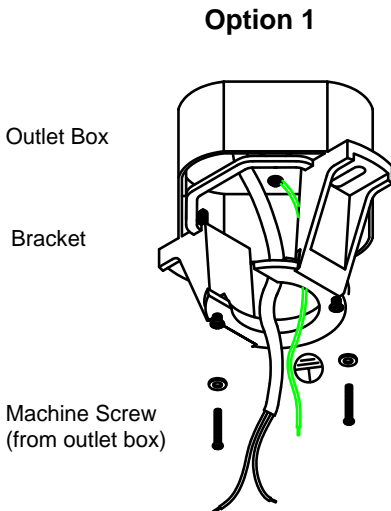
Carefully insert the clevis pin through the holes in the collar and downrod.

Be careful not to jam the clevis pin against the wires inside the downrod. Insert the "R" pin into the end of the clevis pin.

Step 2. Fix the downrod with the set screws on the hub.

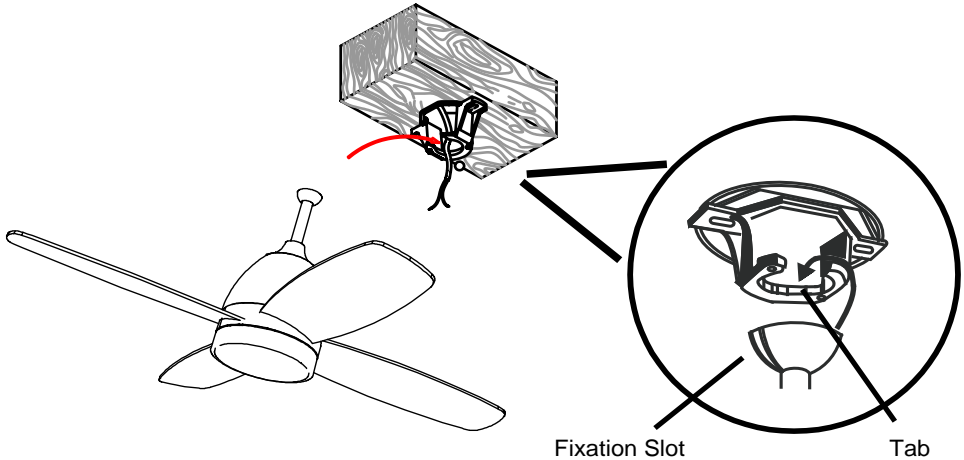
Option 1: With Outlet Box Fix the mounting bracket onto the outlet box with screws from the outlet box.

Option 2: Without Outlet Box Fix the mounting bracket onto the solid wood structure with 2 wood screws.

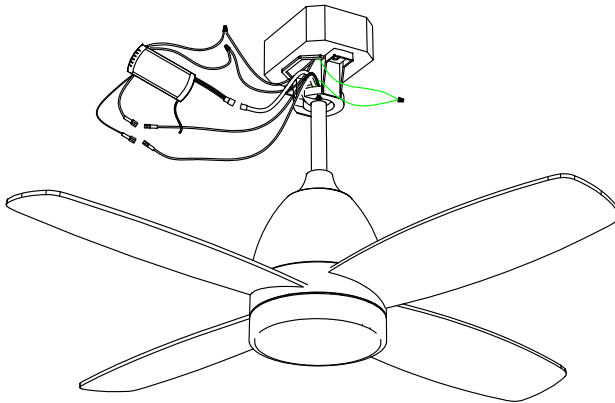


Installation Step 4 (Hang and Wire)

9. Lift the downrod into the mounting bracket. Rotate the downrod until the tab in the mounting bracket is seated in the fixation slot in the downrod ball.



10. Connect the wires from the fixture to the house supply wires with wire nuts, ground wire (green, green/yellow, or bare copper) to ground wire, neutral wire (white or blue) to neutral wire, and hot wire (black or brown) to the hot wire. Wrap the connection with electrical tape.

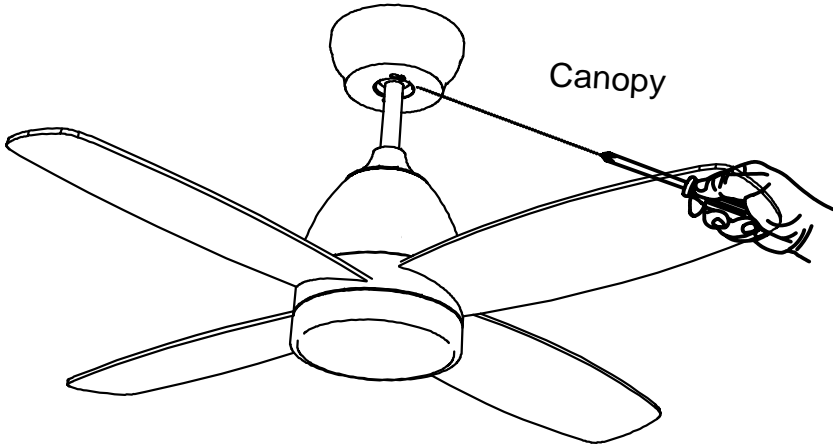


Note:

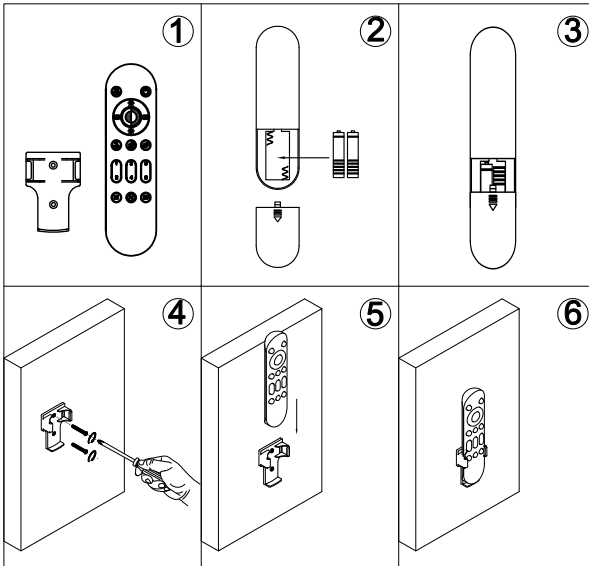
- ① This fan only needs one set of input wires (black, white, and ground wire). Both of the fan and lights will be controlled by the remote controller.
- ② This fan can only be connected to an on/off switch if you have one, not a dimmer switch.

Installation Step 5 (Fix the Canopy)

11. Slide the coupling cover downward to cover the downrod hub.
12. Slide the canopy up to the ceiling and attach it to the mounting bracket with the screws provided. Tighten all screws securely.

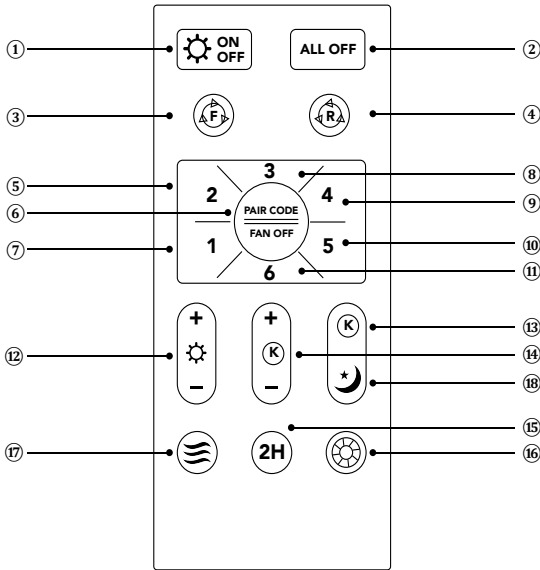


Installation Step 6 (Install the Remote Holder)



1. Insert 2 batteries before using:
AAA 1.5V battery x 2pcs
(not included)
2. Install the remote holder onto the wall with screws.

Remote Control Instructions



NOTE:

Please insert 2 batteries before using. AAA 1.5V battery x 2pcs (not included)

- ① Turn on/off the light.
- ② Turn off the light and fan.
- ③④ "F" refers forward fan direction."R" refers reverse the fan.
- ⑤⑦⑧⑨⑩⑪ Fan speed.
- ⑥ Turn off the fan (remote signal pairing).
- ⑫ Adjust the brightness.
- ⑬ Adjust the light color temperature.
- ⑭ Quick switch of the light: Warm Light→White Light→Natural Light.
- ⑮ Night light mode.
- ⑰ Natural wind mode.
- ⑱ 2H for timing the fan
- ⑲ Turn on the wind guide wheel (not applicable for this fan).

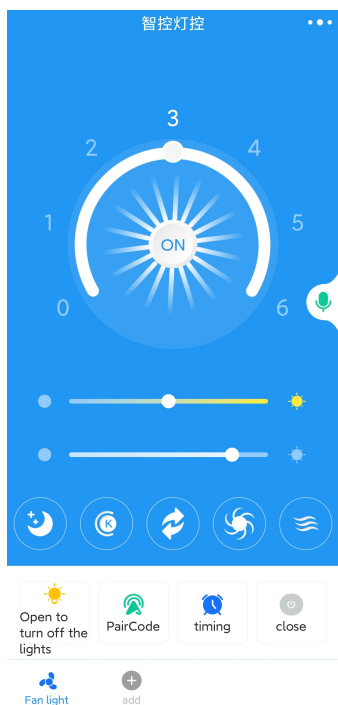
REMOTE SIGNAL PAIRING: If the remote control loses the signal of the fan, turn off the power from wall switch, then turn it on, press ⑥ immediately for around 3 seconds, after the fixture beeps or flashes, then it's down.














APP Control Instructions



NOTE:

Scan the QR code and install the APP in your phone,
Make sure your phone is connected to the internet and
bluetooth enabled.



	Click this button within 5 seconds after the device is powered on. When the light source flickers or there is a beep, the code pairing is successful.
	Slide to adjust the position of the fan light
	Turn on/off the fan
	Natural wind: Simulate natural wind and automatically adjust the wind speed.
	Fan forward & Fan reverse
	Fan timed off
	Turn on/off the light
	Slide to adjust the brightness of the light
	Sliding adjustment of light color temperature
	Guiding style (not supported by this product)
	Quick switching of light mode
	Turn off lights&fans
	Switch to night light mode

Note:

1. When pairing and decoding, only tap the button, and do not hold it for a long time.
2. Some functions of the APP may not be applicable to this device, please refer to the functions supported by the device.

Trouble Shooting

1. Fan doesn't work

- Make sure the fixture is connected to an ON/OFF wall switch, not dimmer switch.
- Check the remote control battery (not included in this package).
- Check the circuit breaker to ensure the power is on.
- Turn off power from the circuit breaker, then loosen the canopy and check all the connections according to the wiring diagram.

2. Lights Do Not Light Up / Flicker / Noisy Operation

- Make sure the fixture is connected to an ON/OFF wall switch, not dimmer switch.
- Check your power and switch to make sure it's power on.

3. Noisy Operation

- Re-tighten all screws on bracket.
- Check to see if any of the blades are cracked. If so, replace the blades.

4. Remote does not work

- Make sure the battery is installed correctly.
- Pair the remote control again (See page 11).
- Install 2 new batteries.

Clean And Care

To clean, wipe the fixture with soft cloth. Spray from chemical cleaners can discolor the finish of the fixture. Do not use scouring pads, powders, steel wool or abrasive paper to clean this fixture.

Ordering Parts

Keep this manual for future reference, and in case replacement parts are needed. Available parts can be ordered from place of purchase. Use exact wording from diagrams when ordering parts.