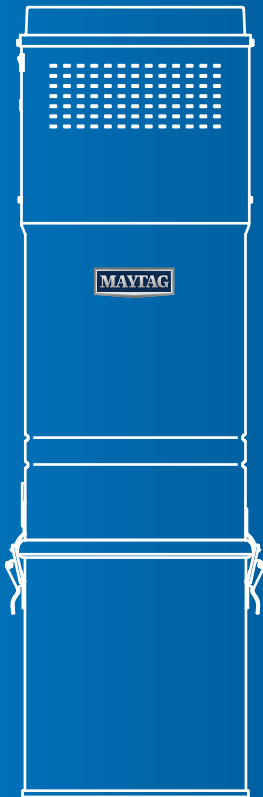




Manufactured under licence by Cana-Vac Systems Inc
Fabriqué sous licence par Cana-Vac Systems Inc
Fabricado bajo licencia por Cana-Vac Systems Inc.



User Guide

Central Vacuum

Guide de l'utilisateur

Aspirateur central

Guía del usuario

Aspiradora central



User Guide

Central Vacuum

Manufactured under licence by Cana-Vac Systems Inc.

LEARN MORE

For future reference, please make a note of your product model and serial numbers. These numbers can be located on a label on the side of the central vacuum.

Model Number _____ Serial Number _____

Register your central vacuum at: www.maytagcentralvacuums.com/en/register-warranty

Your safety and the safety of others are very important.

We have provided many important safety messages in this manual. Always read and obey all safety messages.



This is the safety alert symbol.

This symbol alerts you to potential hazards that can kill or hurt you and others.

All safety messages will follow the safety alert symbol and either the word "DANGER" or "WARNING."

These words mean:

⚠ DANGER

You can be killed or seriously injured if you don't immediately follow instructions.

⚠ WARNING

You can be killed or seriously injured if you don't follow instructions.

All safety messages will tell you what the potential hazard is, tell you how to reduce the chance of injury, and tell you what can happen if instructions are not followed.

IMPORTANT SAFETY INSTRUCTIONS

When using an electric appliance, basic precautions should always be followed, including the following:

READ ALL INSTRUCTIONS BEFORE USING THIS CENTRAL VACUUM

For household use only.

WARNING: To reduce the risk of fire, electrical shock, or injury when using your central vacuum, follow these basic precautions:

- Do not use on wet surfaces.
- Do not allow to be used as a toy. Close attention is necessary when used by or near children.
- Use only as described in this manual. Use only manufacturer's recommended attachments.
- Do not use with damaged cord or plug. If appliance is not working as it should, has been dropped, damaged, or exposed to water, have it inspected by an authorized service technician.
- Do not pull or carry by cord, use cord as a handle, close a door on cord, or pull cord around sharp edges or corners. Keep cord away from heated surfaces.
- Do not unplug by pulling on cord. To unplug, grasp the plug, not the cord.
- Do not handle plug, central vacuum, or powered accessories with wet hands.
- Do not put any object into openings. Do not use with any opening blocked; keep free of dust, lint, hair, and anything that may reduce air flow.
- Keep hair, loose clothing, fingers, and all parts of body away from openings and moving parts.
- Turn off controls before unplugging.
- Use extra care when cleaning on stairs.
- Do not use to pick up flammable or combustible liquids, such as gasoline, or use in areas where they may be present.
- Do not pick up anything that is burning or smoking, such as cigarettes, matches, or hot ashes.
- The accessory hose contains electrical wires. Do not use when damaged, cut, or punctured. Avoid picking up sharp objects.
- Connect to a properly grounded outlet only. See grounding instructions.
- Do not use without dust bag and/or filters in place.

SAVE THESE INSTRUCTIONS

GROUNDING INSTRUCTIONS

This central vacuum must be grounded. If it should malfunction or breakdown, grounding provides a path of least resistance for electric current to reduce the risk of electric shock. This central vacuum is equipped with a cord having an equipment-grounding conductor and grounding plug. The plug must be inserted into an appropriate outlet that is properly installed and grounded in accordance with all local codes and ordinances.

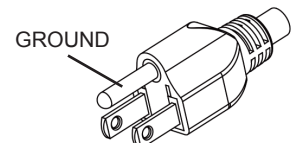


Fig.1

- Improper connection of the equipment-grounding conductor can result in a risk of electric shock. Check with a qualified electrician or service person if you are in doubt as to whether the outlet is properly grounded. Do not modify the plug provided with the central vacuum
- If it will not fit the outlet, have a proper outlet installed by a qualified electrician.

Fig.2

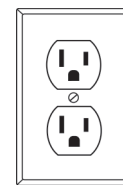
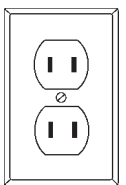


Fig.3



This central vacuum is for use on a nominal 120 V circuit and has a grounding attachment plug that looks like the plug illustrated in Figure 1. Make sure that the central vacuum is connected to an outlet having the same configuration as the plug in Figure 2. Outlets as shown in Figure 3 are not to be used. No adapter should be used with this central vacuum.

⚠ WARNING



Electrical Shock Hazard

Plug into a grounded 3 prong outlet.

Do not remove ground prong.

Do not use an adapter.

Do not use an extension cord.

Failure to follow these instructions can result in death or electric shock.

Note Regarding Motor Thermal Cut-Out Switch

Flow through motors, (some models) have a thermal switch integrated with the motor windings. If insufficient air flows across the motor windings, such as in the case when running the system with a blocked hose, or full vacuum bag, or with all wall valves closed and no hose attached, the thermal cut-off switch may activate. If the central vacuum suddenly shuts off by itself during prolonged use, unplug and allow up to 2 hours to cool down. The thermal switch will automatically reset only when power is removed and the unit has sufficiently cooled down. If this occurs, follow the troubleshooting steps on Page 8.

INSTALLATION

BEFORE YOU BEGIN, PLEASE READ!

Mount the unit at the end of an existing vacuum piping trunk line within 5' (153 cm) of a dedicated 15 A, 120 VAC receptacle. Do not use an extension cord. If a dedicated receptacle is not nearby, move the central vacuum close enough to reach a receptacle and extend the central vacuum piping to reach the new location.

If installing a new system with new piping, suitable locations for the central vacuum unit are in the garage, basement, utility room, or other remote area, except where exposed to weather. A dedicated 15 A, 120 V outlet is required to power the system.

Left and right side intakes are provided for convenient attachment to existing piping. Use either left or right side intake and place the included PVC cap tightly into the unused inlet. One inlet must be capped at all times. Do not glue pipes or fittings to intakes.

This appliance requires ventilation. Do not install in a heat producing area or confined space such as a furnace room or attic. Closet installation is not recommended.

Mount the wall bracket where there will be at least 12" (30 cm) of space above and to the sides of the central vacuum. Mount so there is at least 18" (46 cm) above the floor. For most installations the top of the bracket can be mounted 50" (127 cm) above the floor. Adjust according to the above requirements.

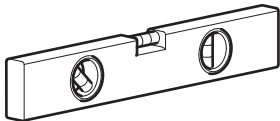
When lifting the central vacuum into position, get close to the unit and bend at the knees. Grab the unit from the bottom with one hand and the top with the other. Make sure the power cord is clear of the mounting area and cannot be pinched when positioning onto the wall bracket.

Use a hose clamp to secure the muffler to the exhaust port.

If desired, the exhaust may be vented outdoors. Maximum exhaust pipe length is 15' (4.6 m). Not available on all models. (Additional hardware required)

Recommended Tools:

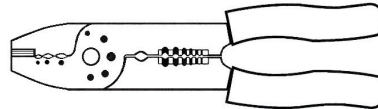
Level



Safety Glasses



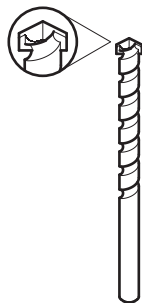
Wire Stripper/Crimper



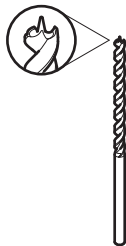
Pencil



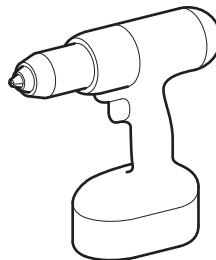
Stud Finder



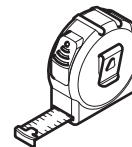
1/4" (6.5 mm)
Masonry Bit



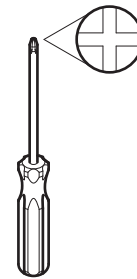
1/8" (3.2 mm)
Wood Bit



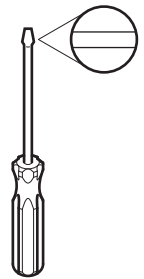
Electric Drill



Tape
Measure



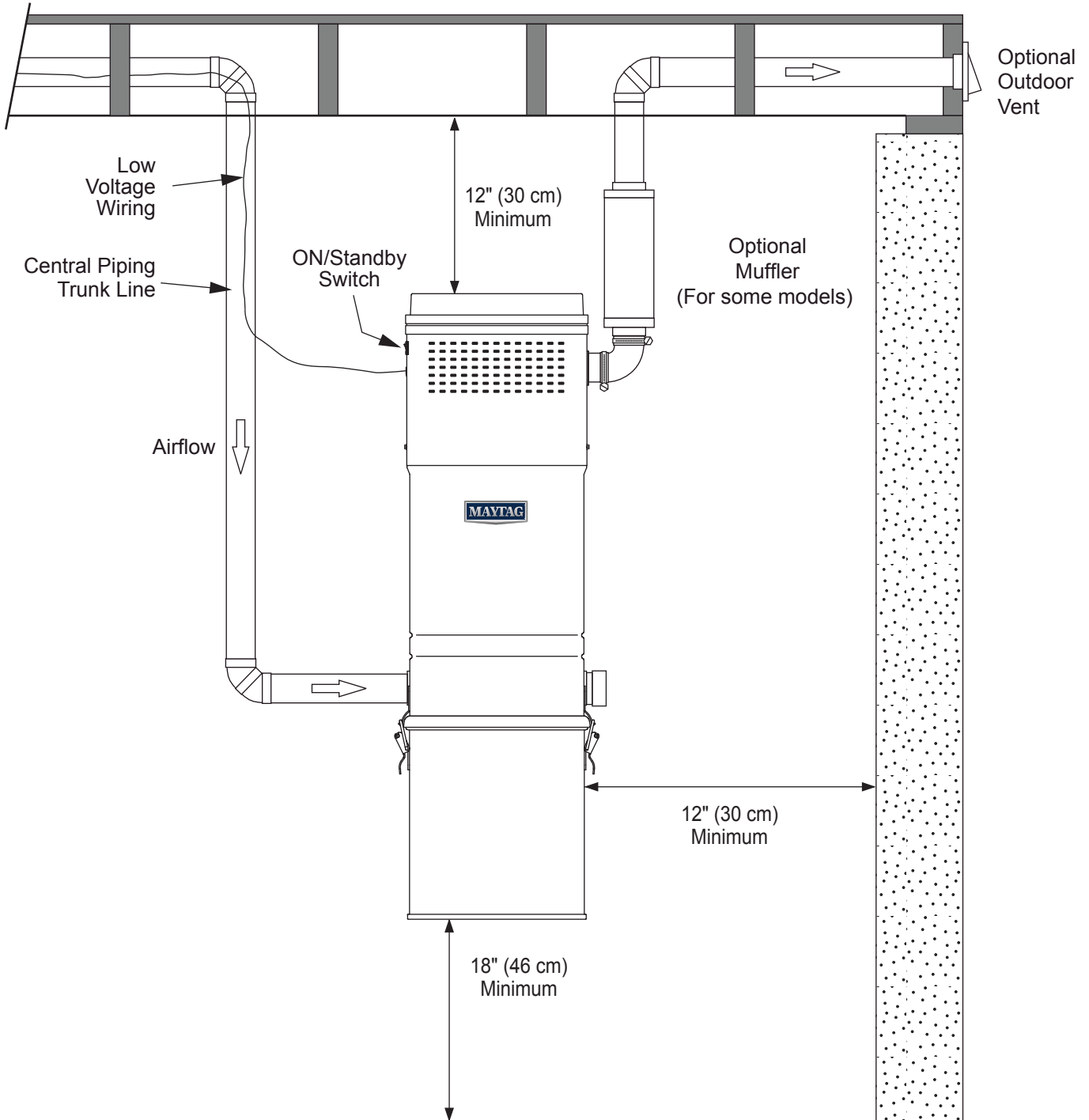
#2 Phillips



3/8" (9.5 mm)
Slot

INSTALLATION

Typical Installation:



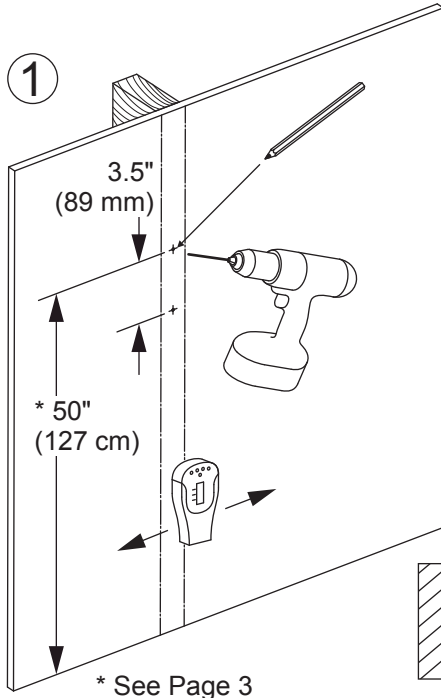
Hardware is shipped inside the bottom of the unit. Remove before proceeding.

INSTALLATION

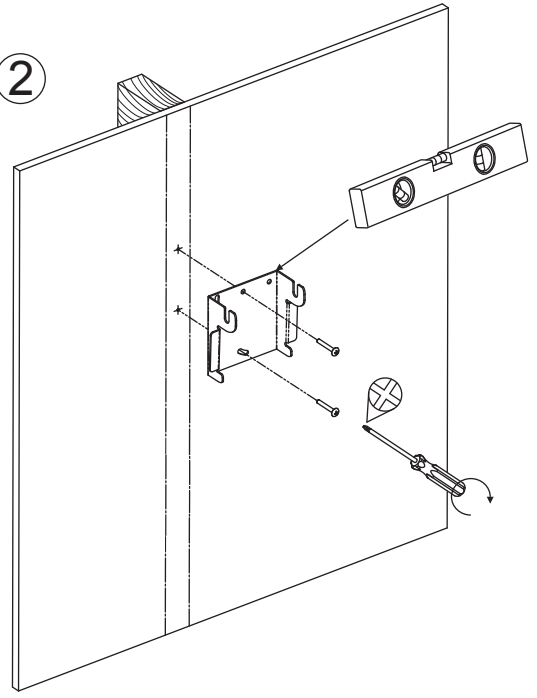
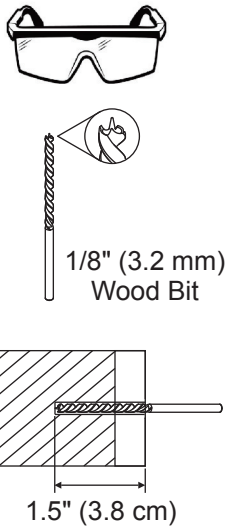
Installing the Wall Bracket:

Drywall / Stud
Must mount directly into stud
behind drywall

Step ①

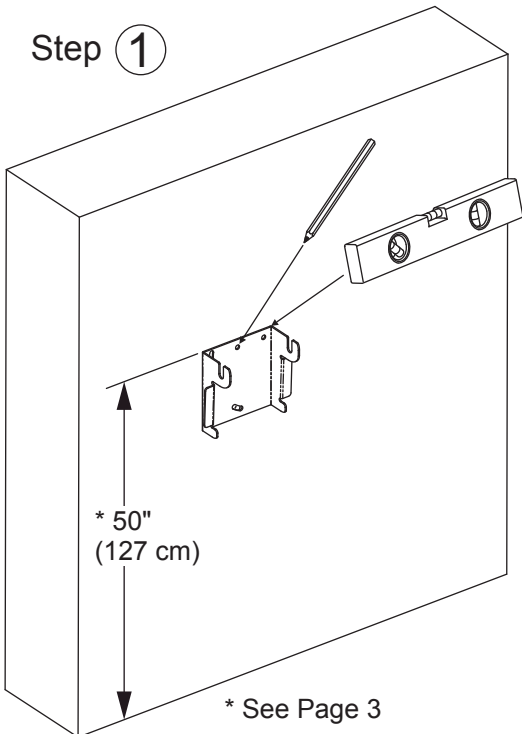


Step ②

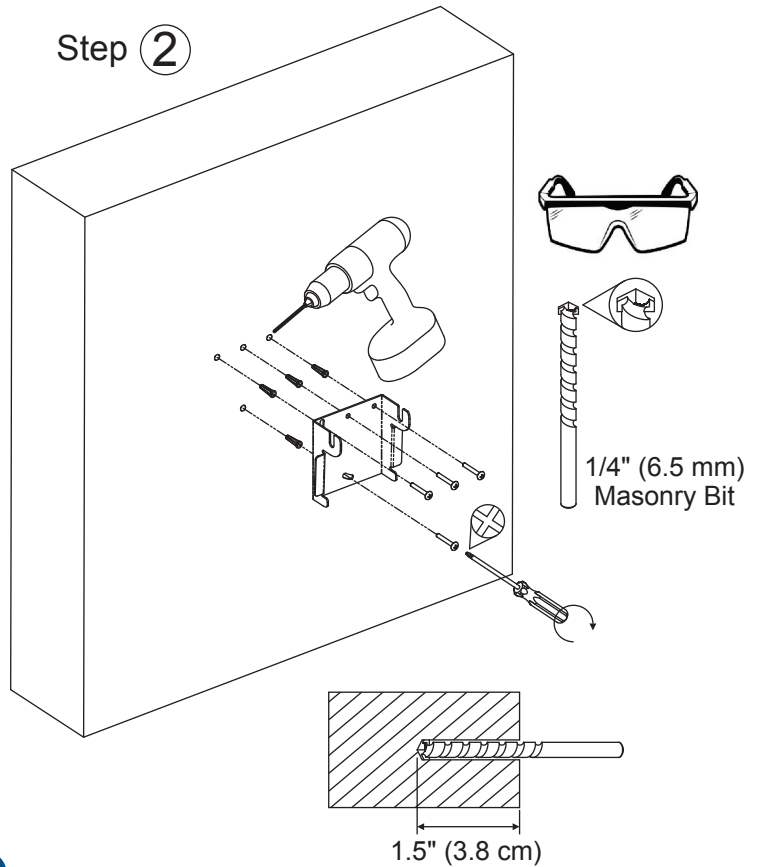


Concrete Wall

Step ①

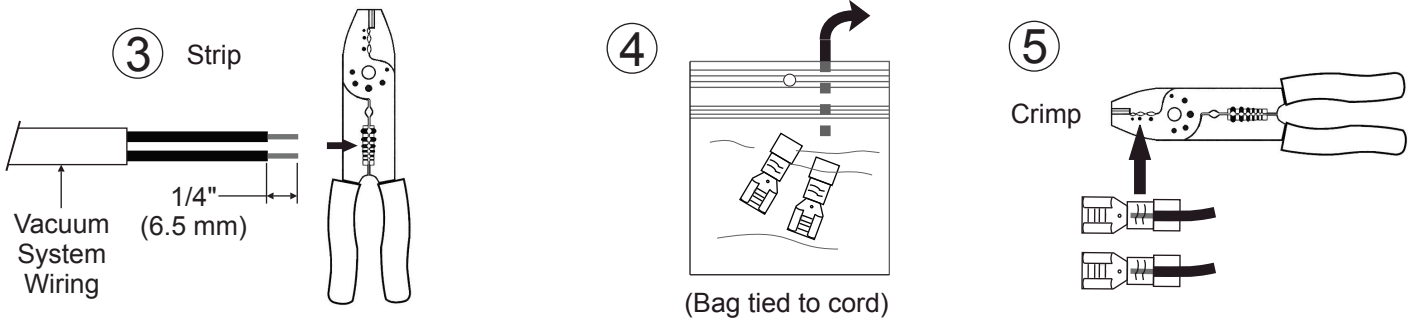


Step ②

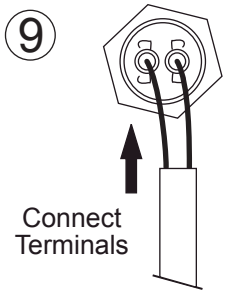
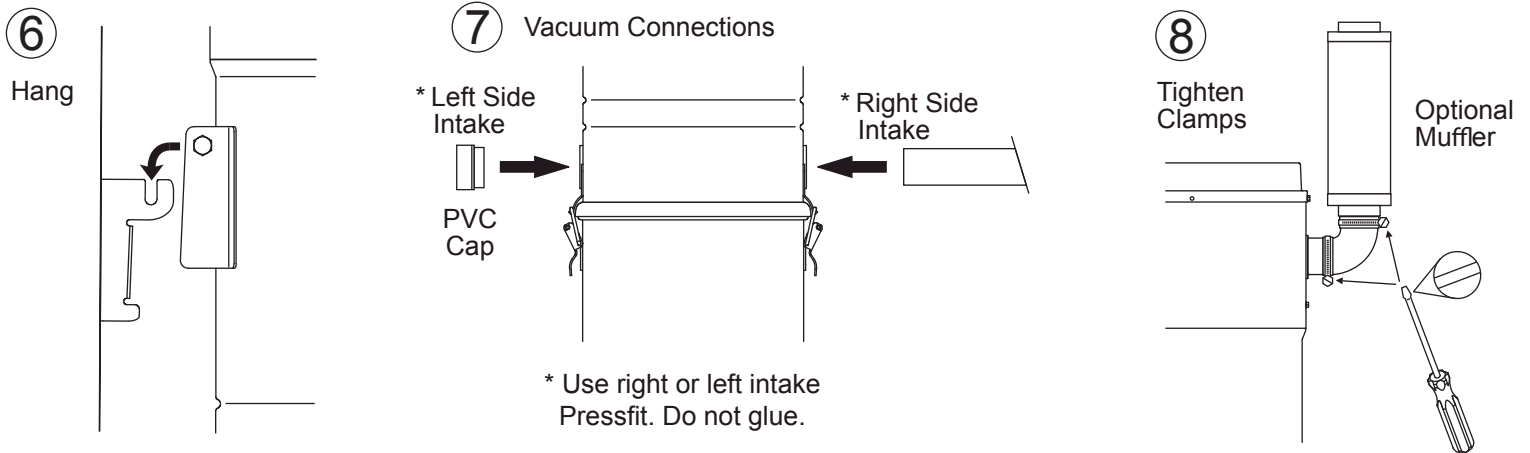


INSTALLATION

Low Voltage Wiring:



Final Steps:

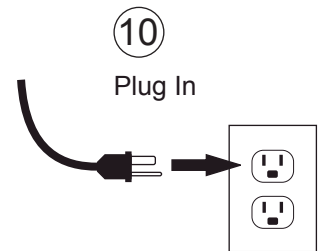


⚠ WARNING

Electrical Shock Hazard

Plug into a grounded 3 prong outlet.
Do not remove ground prong.
Do not use an adapter.
Do not use an extension cord.

Failure to follow these instructions can result in death or electric shock.

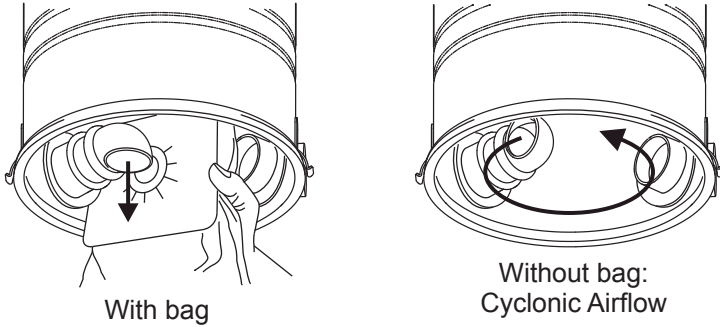


DISPOSE OF ALL PACKAGING AFTER INSTALLATION

USE AND CARE

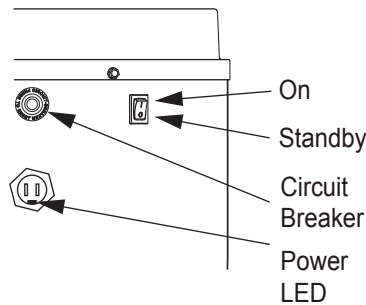
Filter Bag Option:

For additional filtration and ease of cleaning, this unit can be used with a filter bag. Attach the bag adapter to the interior of the operational intake port as shown with the opening pointed downward. Unfold the filter bag and slide the hole over the end of the adapter until the bag seal is between the two ridges. Allow the bag to hang down. If a filter bag will not be used, rotate the bag adapter 90° to create a cyclonic air flow action inside the vacuum.



Operating the Central Vacuum:

The LED at the low voltage connector will illuminate when the central vacuum has power. To briefly test the vacuum, flip the switch up to the ON position for a few seconds. Then flip the switch down to the STANDBY mode. Leave the switch in STANDBY mode to allow control of the vacuum motor when a hose is plugged into a functioning wall valve. Certain hose models will have a switch built into the handle to control the operation. Hose handles without a switch will immediately turn on the vacuum when plugged into the wall valve. To turn off the vacuum, unplug the hose.



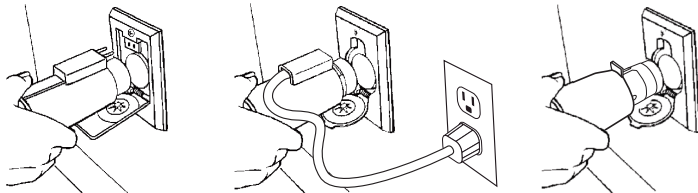
Wall Valves:

Type A: 24V and 110V Quick Connect / Type B: 24V and 110V / Type C: 24V only.

Type A combines 24V as well as 110V to stop and start the vacuum cleaner and the electric broom using the switch located at the handle of the hose. If applicable, you will also need to connect the 110V plug that comes with your hose to the electrical wall outlet to power your electric broom.

Type B combines 24V and 110V to stop and start the vacuum and the broom using the switch located at the handle of the hose. This is a "supervalue" type socket. Some types of hoses have the 110V Quick Connect option. This option allows you to feed your electric broom directly into the nozzle on the wall side.

Type C uses 24V to stop and start the vacuum only with the switch located on the handle of the hose.



A) Quick Connect

B) Standard

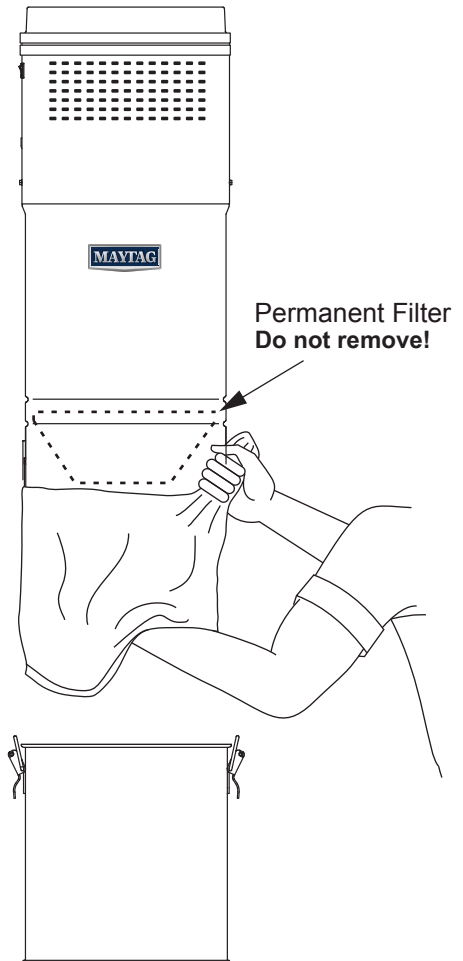
C) 24V

Periodic Maintenance:

When emptying the dirt container or filter bag, it is recommended to inspect the permanent filter located inside the unit above the intake ports. If the filter surface appears to be caked in dust, clean as follows:

Do not remove the permanent filter!

1. Unplug the power cord to prevent unintentional operation of the central vacuum. Remove the bottom dirt container by lifting the side latches, one at a time. Set container aside.
2. If using a filter bag, remove it by grasping the cardboard flange on opposite sides and pull away from the bag adapter fitting.
3. Place an open garbage bag or other large plastic bag around the open end of the unit. Seal the bag to the unit by tying it tight or by grasping the excess bag in one hand to prevent dust from escaping.
4. Reach up under the bag into the bottom of the unit using the bag as a glove. Shake the filter gently to dislodge dust from the filter so that the dust falls into the bag.
5. Remove the plastic bag, empty the dirt container contents into it, including the full filter bag (if applicable) and dispose.
6. Install a new filter bag (if required) and re-install the dirt container. Use the hooks on the body to hang the dirt container and latch both sides at the same time to ensure the container is aligned with the gasket.
7. Plug the power cord in and verify proper operation of the vacuum.



PROBLEM SOLVER


First try the solutions suggested here. If you need further assistance or more recommendations that may help you to avoid a service call, refer to the warranty page in this manual or visit: www.maytagcentralvacuums.com

Contact us by mail, email or phone with any questions or concerns at the address below:

Maytag Central Vacuums
 15 Crane Ave.
 Stratford, Ontario, Canada N5A 6S8
 1-888-226-2822

customerservice@maytagcentralvacuums.com
www.maytagcentralvacuums.com

Please include a daytime phone number in your correspondence.

IF YOU EXPERIENCE	POSSIBLE CAUSE	RECOMMENDED SOLUTION
<p>The vacuum unit will not turn on & the power LED is OFF.</p>	<p>No power at the outlet. Power cord not plugged in.</p>	<div style="border: 1px solid black; padding: 10px;"> <p style="text-align: center;">⚠ WARNING</p> <div style="text-align: center;">  </div> <p style="text-align: center;">Electrical Shock Hazard</p> <p>Plug into a grounded 3 prong outlet.</p> <p>Do not remove ground prong.</p> <p>Do not use an adapter.</p> <p>Do not use an extension cord.</p> <p>Failure to follow these instructions can result in death or electric shock.</p> </div> <p>Plug into another outlet. Check the electrical panel for a tripped circuit breaker or blown fuse.</p>
<p>The vacuum unit will not turn on & the power LED is ON.</p>	<p>Overload circuit-breaker has tripped.</p>	<p>Reset the circuit breaker: Push in the button labeled “CIRCUIT BREAKER” on the side of the unit.</p>
<p>Unit turns on but shuts off by itself.</p>	<p>Motor overheated due to lack of cooling airflow.</p>	<p>Unplug the unit and allow the motor to cool for up to 2 hours. This will reset the thermal protector. Check the vacuum bag (Page 7). Do not operate with a full bag. Do not allow airflow to be restricted. Do not obstruct ventilation. Check hose for obstruction. Do not operate without a hose connected.</p>
<p>Unit will not turn off.</p>	<p>The low voltage circuit is closed or shorted out.</p>	<p>Unplug the low voltage wires from the vacuum unit. If the unit turns off, the low voltage wiring is closed (shorted) within the building. Check all wall valves and vac-pans for crossed wires first. Inspect wiring where possible for screws or staples through the wires.</p>
<p>Lack of suction.</p>	<p>Vacuum bag is full.</p> <p>Obstruction in hose or attachments.</p> <p>Lower dirt container not properly attached.</p>	<p>Replace the bag (See Page 7)</p> <p>If the blockage is in the hose, insert a long blunt item, such as a broom handle, to clear the blockage. Check attachments for blockages. Blockages in the hose or attachments can also cause the thermal protector to activate.</p> <p>Ensure the bottom is sealed well and the latches are in place.</p>

MAYTAG® CENTRAL VACUUM WARRANTY

(Provided by Cana-Vac Systems Inc.)

ATTACH YOUR RECEIPT HERE. PROOF OF PURCHASE IS REQUIRED TO OBTAIN WARRANTY SERVICE

Please have the following information available when you call the Customer experience Center:

- Name, address and telephone number
- Model number and serial number
- A clear, detailed description of the problem
- Proof of purchase including dealer or retailer name and address

IF YOU NEED SERVICE:

1. Before contacting us to arrange service, please determine whether your product requires repair. Some questions can be addressed without service. Please take a few minutes to review the Troubleshooting or Problem Solver section of the Use and Care Guide, or visit www.maytagcentralvacuums.com
2. All warranty service is provided exclusively by Cana-Vac Systems Inc. In the U.S. and Canada, direct all requests for warranty service to:

Maytag Central Vacuums

1-866-226-2822 or email: customerservice@maytagcentralvacuums.com

TEN YEAR PARTS, ONE YEAR LABOR WARRANTY

Cana-Vac Systems Inc. warrants (to the original purchaser, in its original installation) that your new Maytag central vacuum power unit is guaranteed against defects in materials and workmanship for a period of 10 years which includes 1 year labor starting from the date of purchase.

WARRANTY CLAIMS

To initiate a warranty claim, simply return your unit with the original (or copy) bill of sale to a local "AUTHORIZED SERVICE CENTER" for repair or replacement at our option. This warranty is limited to parts only and does not include shipping charges to the manufacturer if applicable. Any other expressed or implied warranty is not valid. This warranty applies to residential applications and is for the original homeowner in its original installation only. Vacuuming liquids, construction materials such as drywall dust, or any other kind of material that this unit is not designed, or removal of the protective filter voids the warranty. If you purchased your unit from an online retailer, all warranty claims must be processed through the online retailer from which it was purchased for warranty eligibility. Labor is included under the warranty for 1 year from the date of purchase shown on the bill of sale from the "AUTHORIZED DEALERSHIP" from where the unit was originally purchased.

THIS WARRANTY SHALL NOT APPLY IF INSPECTION REVEALS THAT THE CENTRAL VACUUM POWER UNIT HAS BEEN ABUSED, MISUSED, OR WILLFULLY DAMAGED BY FIRE, FLOOD, OR ANY OTHER ACT OF GOD.

Cana-Vac Systems Inc., P.O. Box 68, 15 Crane Ave., Stratford, ON. Canada N5A 6S8



Fabriqué sous licence par Cana-Vac Systems Inc.

Guide de l'utilisateur

Aspirateur central

POUR EN SAVOIR PLUS

Pour référence future, veuillez noter votre modèle de produit et vos numéros de série. Ces chiffres sont situés sur une étiquette sur le côté de l'aspirateur central.

Numéro du modèle : _____ Numéro de série : _____

Enregistrez votre aspirateur central à : www.maytagcentralvacuums.com/qc/enregistrement-garantie

Votre sécurité et celle des autres sont très importantes.

Nous avons fourni de nombreux messages de sécurité importants dans ce manuel. Lisez et conformez-vous toujours à tous les messages de sécurité.



Ceci est le symbole d'alerte de sécurité.

Ce symbole vous avertit des dangers potentiels qui peuvent vous tuer ou vous blesser, vous et les autres.

Tous les messages de sécurité suivront le symbole d'alerte de sécurité et le mot « DANGER » ou « AVERTISSEMENT » seront affichés. Ces mots signifient :

⚠ DANGER

Vous pouvez être tué ou gravement blessé si vous ne suivez pas immédiatement les instructions.

⚠ AVERTISSEMENT

Vous pouvez être tué ou gravement blessé si vous ne suivez pas les instructions.

Tous les messages de sécurité vous indiqueront quel est le danger potentiel, comment réduire les risques de blessures et ce qui peut arriver si les instructions ne sont pas suivies.

INSTRUCTIONS DE SÉCURITÉ IMPORTANTES

Lors de l'utilisation d'un appareil électrique, les précautions de base doivent toujours être suivies, y compris les suivantes :

LIRE TOUTES LES INSTRUCTIONS AVANT D'UTILISER CET ASPIRATEUR CENTRAL

Pour usage domestique seulement

AVERTISSEMENT : Pour réduire les risques d'incendies, de chocs électriques ou de blessures lors de l'utilisation de votre aspirateur central, suivez ces précautions de base :

- Ne pas utiliser sur les surfaces mouillées.
- Ne permettez pas d'être utilisé comme jouet. Une attention particulière est nécessaire lorsqu'il est utilisé par ou près des enfants.
- Utilisez uniquement comme décrit dans ce manuel. Utilisez uniquement avec les accessoires recommandés par le fabricant.
- Ne pas utiliser si le cordon ou la fiche est endommagé. Si l'appareil ne fonctionne pas comme il se doit, a été échappé, endommagé ou exposé à l'eau, faites-le inspecter par un technicien autorisé.
- Ne tirez pas ou ne transportez pas par le cordon, n'utilisez pas le cordon comme poignée, fermer une porte sur le cordon, ou tirer le cordon autour de bords pointus ou de coins. Gardez le cordon à l'écart des surfaces chaudes.
- Ne débranchez pas en tirant sur le cordon. Pour débrancher, saisissez la fiche, et non par le cordon.
- Ne manipulez pas la fiche, l'aspirateur central ou les accessoires électriques avec les mains mouillées.

- Ne mettez aucun objet dans les ouvertures. Ne pas utiliser avec une ouverture bloquée; garder l'intérieur des tuyaux à l'abri de peluche, cheveux et tout amas de débris pouvant réduire le débit d'air.
- Gardez les cheveux, les vêtements amples, les doigts et toutes les parties du corps loin des ouvertures et des pièces mobiles.
- Désactivez les commandes avant de débrancher.
- Faites preuve de soin supplémentaire lors d'une utilisation dans les escaliers.
- Ne pas utiliser pour ramasser des liquides inflammables ou combustibles, tels que l'essence, ou l'utilisation dans les zones où ils peuvent être présents.
- Ne ramassez pas tout ce qui brûle ou fume, comme des cigarettes, allumettes ou cendres chaudes.
- Le boyau contient des fils électriques. Ne pas utiliser lorsque endommagé, coupé ou perforé. Évitez de ramasser des objets pointus.
- Connectez-vous à une prise correctement mise à la terre seulement. Voir les instructions pour la mise à la terre.
- Ne pas utiliser sans sac à poussière et /ou filtres en place.

CONSERVEZ CES INSTRUCTIONS

INSTRUCTIONS DE MISE À LA TERRE

Cet aspirateur central doit être mis à la terre. En cas de mauvais fonctionnement ou de panne, la mise à la terre offre moins de résistance pour le courant électrique et ainsi réduit le risque de choc électrique. Cet aspirateur central est équipé d'un cordon ayant un conducteur avec mise à la terre. La fiche doit être insérée dans une prise électrique appropriée, correctement installée et mise à la terre conformément à tous les codes et ordonnances locaux.

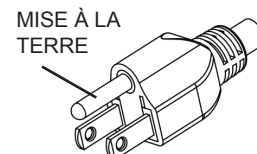
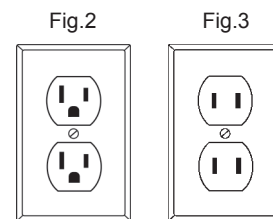


Fig.1

- La connexion incorrecte de l'équipement de mise à la terre peut entraîner un risque de choc électrique. Vérifiez auprès d'un électricien ou d'un technicien qualifié si vous doutez quant à savoir si la prise est correctement mise à la terre. Ne modifiez pas la fiche fournie avec l'aspirateur central

- Si elle ne s'adapte pas à la prise, faire installer une prise convenable par un électricien qualifié.



Cet aspirateur central est destiné à une utilisation sur un circuit nominal de 120 V et a une fiche qui ressemble à la fiche illustrée dans Figure 1. Assurez-vous que l'aspirateur central est relié à une prise ayant la même configuration que la prise de la figure 2. Les prises telles que celles illustrées dans la figure 3 ne doivent pas être utilisées. Aucun adaptateur ne doit être utilisé avec cet aspirateur central.

⚠ AVERTISSEMENT



Risque de choc électrique

Brancher sur une prise à 3 alvéoles reliée à la terre.

Ne pas enlever la broche de liaison à la terre.

Ne pas utiliser un adaptateur.

Ne pas utiliser un câble de rallonge.

Le non-respect de ces instructions peut causer un décès, un incendie ou un choc électrique.

Remarque concernant l'interrupteur thermique du moteur

Les moteurs de type Thru-Flow, (certains modèles) ont un interrupteur thermique intégré dans le moteur. Si la circulation d'air est insuffisante dans le moteur, comme dans le cas d'un boyau bloqué, d'un sac plein ou avec toutes les prises murales fermées et aucun boyau connecté, l'interrupteur thermique peut s'activer. Si l'aspirateur central s'éteint soudainement par lui-même pendant une utilisation prolongée, débranchez-le et laissez refroidir jusqu'à 2 heures. Le commutateur thermique ne sera automatiquement remis en marche que lorsque l'aspirateur central sera suffisamment refroidi. Si cela se produit, suivez les étapes de dépannage tels que listés à la page 8.

AVANT DE COMMENCER, PRENDRE CONNAISSANCE DE CE QUI SUIT !

Monter l'appareil à l'extrémité de la tuyauterie existante dans les 5' (153 cm) d'un réceptacle dédié de 15 A, 120 VAC. Ne pas utiliser de rallonge électrique. Si un réceptacle dédié n'est pas à proximité, déplacer l'aspirateur central assez près pour atteindre un réceptacle et ajouter de la tuyauterie pour atteindre le nouvel emplacement.

Dans le cas où il s'agit d'une nouvelle installation tant de l'aspirateur que de la tuyauterie, les emplacements appropriés pour l'aspirateur central sont le garage, le sous-sol, la salle de lavage, ou autre endroit distant, sauf lorsqu'ils sont exposés aux intempéries. Une prise avec sortie 15 A, 120 V est nécessaire pour alimenter le système.

L'aspirateur central est muni d'une entrée à droite afin de faire le branchement avec de la tuyauterie existante. Ne collez pas les tuyaux ou les raccords à l'admission.

Cet appareil nécessite de la ventilation. Ne pas installer dans un endroit produisant de la chaleur ou dans un espace restreint tel qu'une salle de chauffage ou un grenier. L'installation dans un placard n'est pas recommandée.

Installer le support mural où il y aura au moins 12" (30 cm) d'espace au-dessus et sur les côtés de l'aspirateur central. Installer l'aspirateur central à au moins 18" (46 cm) au-dessus du sol. Pour la plupart des installations, le haut du support peut être installé 40 pouces (102 cm) au-dessus du sol. Ajuster en fonction des exigences ci-dessus.

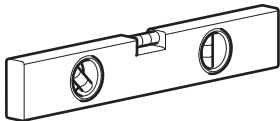
Lorsque vous soulevez l'aspirateur central pour l'installer sur le support mural, rapprochez-vous de l'unité et pliez les genoux. Prenez l'appareil par le bas d'une main et le haut de l'autre. Assurez-vous que le cordon d'alimentation est dégagé de la zone de montage et ne peut pas être pincé lorsque positionné sur le support mural.

Utiliser un collet pour fixer le silencieux au port d'échappement.

Si désiré, l'échappement peut être ventilé à l'extérieur. La longueur maximale du boyau d'échappement est de 15' (4,6 m). Non disponible sur tous les modèles. (Matériel supplémentaire requis)

Outils recommandés

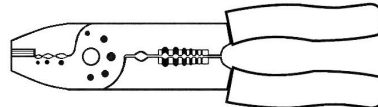
Niveau



Lunette de sécurité



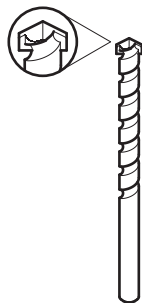
Pince à dénuder / sertir



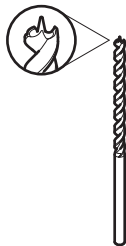
Crayon à mine



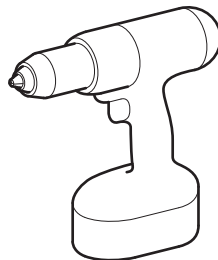
Localisateur de poutre



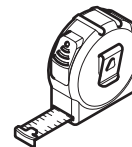
1/4" (6,5 mm)
Mèche à maçonnerie



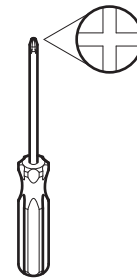
1/8" (3,2 mm)
Mèche à bois



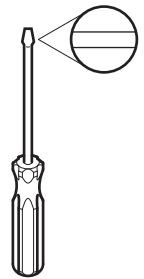
Perceuse électrique



Ruban à mesurer



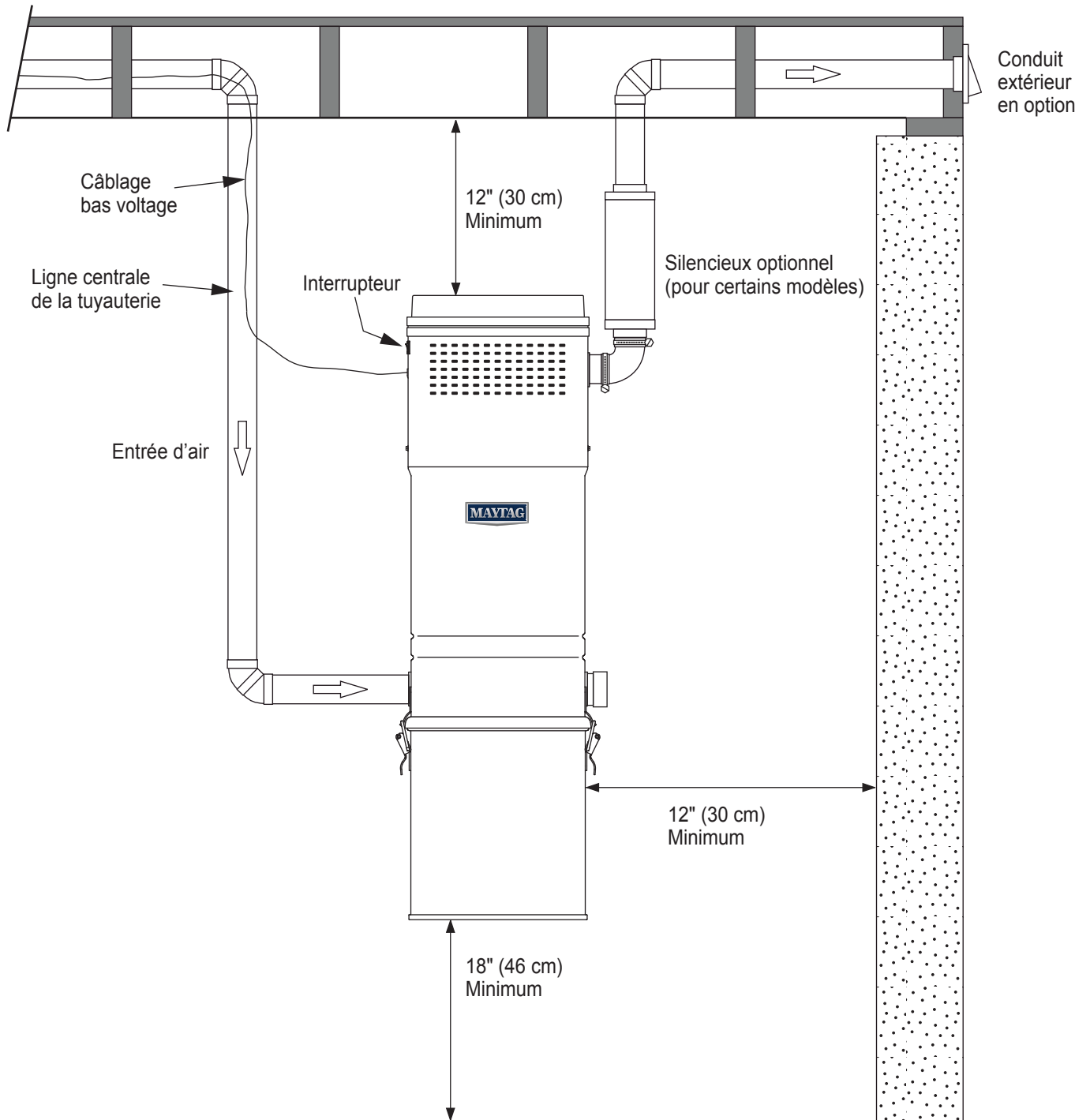
Tournevis #2 Phillips



Tournevis plat 3/8" (9,5 mm)

INSTALLATION

Installation typique



La quincaillerie est expédiée à l'intérieur de la cuve. Retirer avant de procéder.

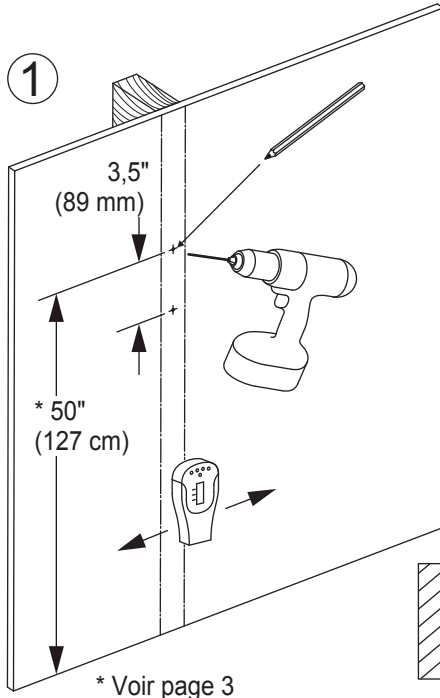
INSTALLATION

Installation du support mural :

CLOISON SÈCHE / MONTANT

Doit être monté directement dans le montant derrière la cloison sèche

Étape ①



* Voir page 3

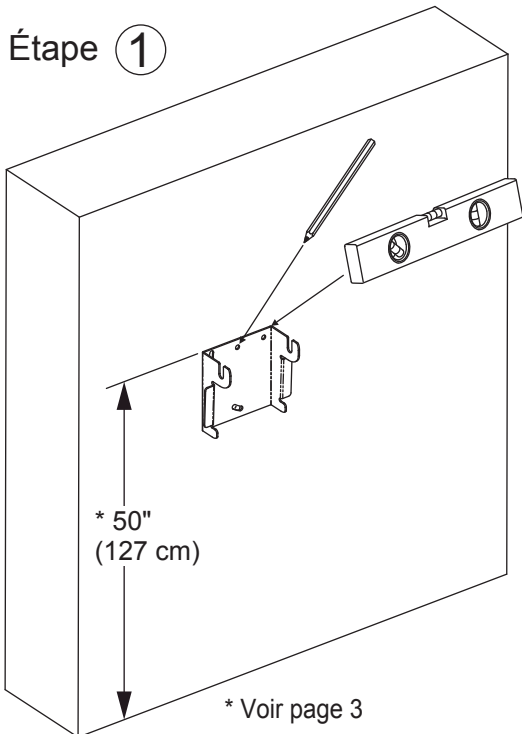
Étape ②



1.5" (3,8 cm)

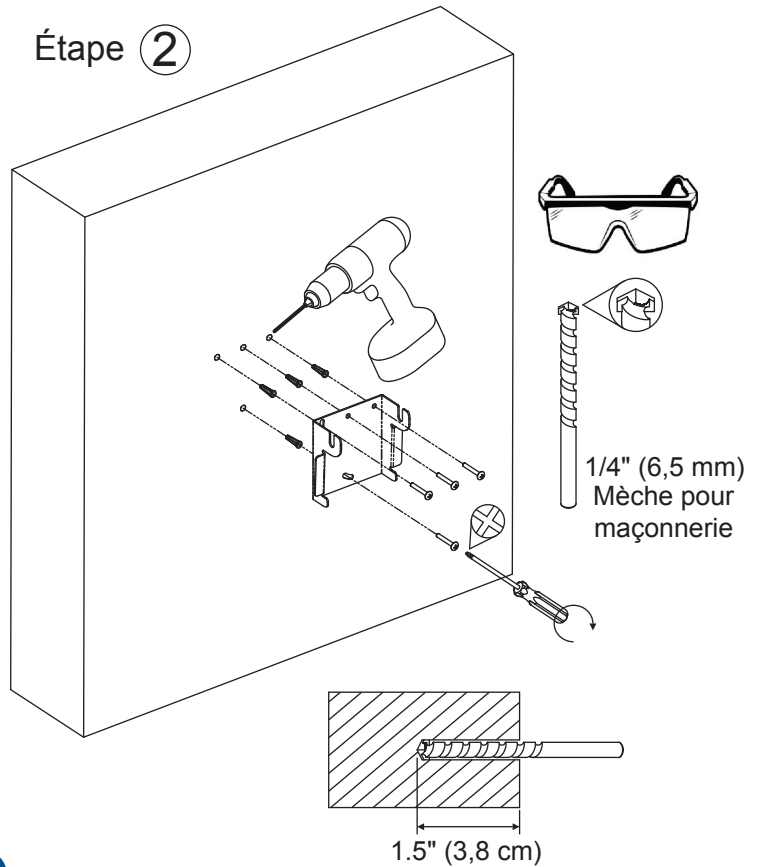
MUR DE BÉTON

Étape ①



* Voir page 3

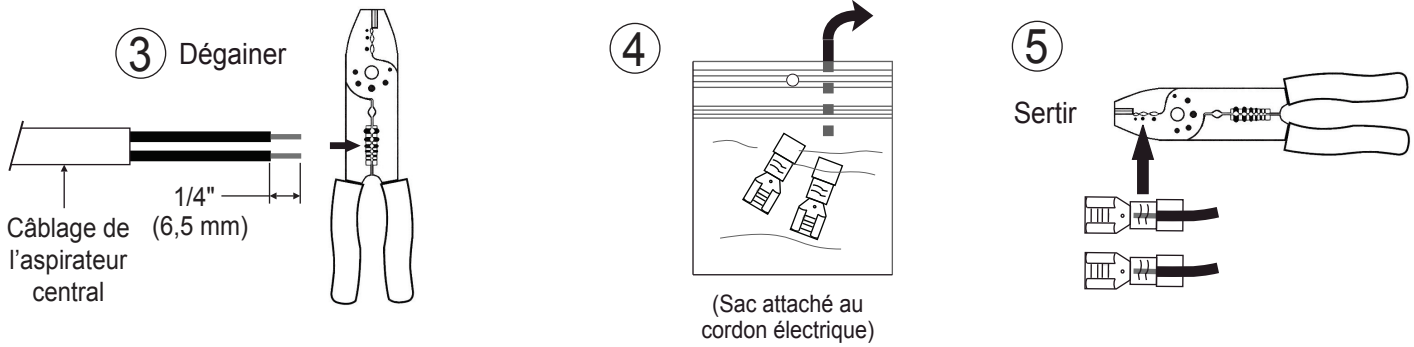
Étape ②



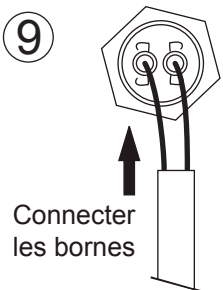
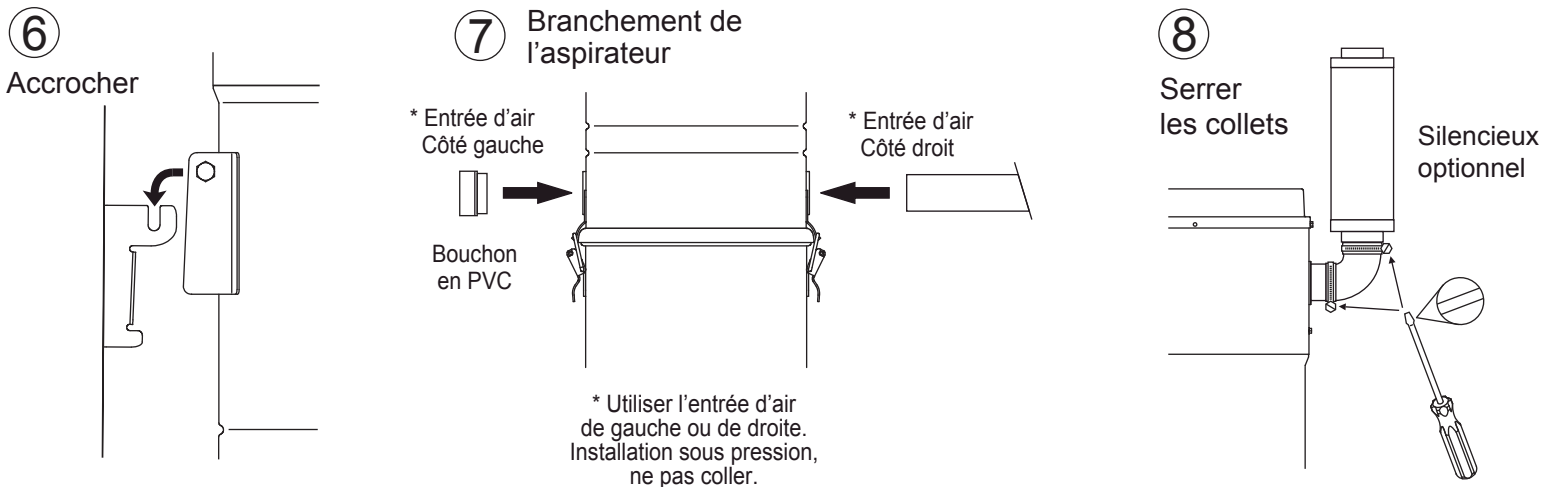
1.5" (3,8 cm)

INSTALLATION

Câblage bas voltage :



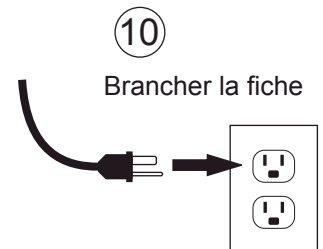
Étapes finales :



⚠ AVERTISSEMENT

Risque de choc électrique

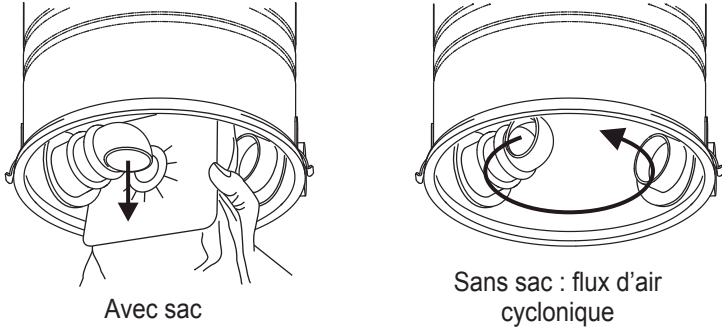
Brancher sur une prise à 3 alvéoles reliée à la terre.
Ne pas enlever la broche de liaison à la terre.
Ne pas utiliser un adaptateur.
Ne pas utiliser un câble de rallonge.
Le non-respect de ces instructions peut causer un décès, un incendie ou un choc électrique.



DISPOSEZ DE TOUS LES EMBALLAGES APRÈS L'INSTALLATION

Option pour le sac de filtration

Pour une filtration supplémentaire et une facilité de nettoyage, cette unité peut être utilisée avec un sac filtre. Attachez l'adaptateur de sac à l'intérieur de la valve comme indiqué avec l'ouverture pointant vers le bas. Dépliez le sac de filtration et faites glisser le trou au-dessus de l'extrémité de l'adaptateur jusqu'à ce que le joint du sac soit entre les deux crêtes. Laissez le sac pendre vers le bas. Si un sac de filtration n'est pas utilisé, faites pivoter la valve de 90° pour créer une action cyclonique de flux d'air à l'intérieur de l'aspirateur.



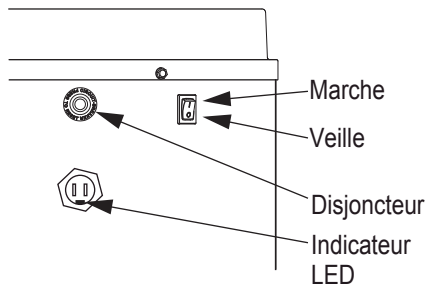
Avec sac

Sans sac : flux d'air cyclonique

Utilisation de l'aspirateur central

La LED au connecteur bas voltage s'allume lorsque l'aspirateur central a de l'électricité. Pour tester brièvement l'aspirateur, mettre l'interrupteur à la position OUVERT pendant quelques secondes, puis appuyez sur l'interrupteur vers le bas en mode veille. Laissez l'interrupteur en mode veille pour contrôler le moteur de l'aspirateur lorsqu'un boyau est branché sur une valve murale fonctionnelle.

Certains modèles de boyaux auront un interrupteur sur la poignée pour contrôler l'opération. Si la poignée du boyau n'a pas d'interrupteur, l'aspirateur s'allumera aussitôt que le boyau est branché sur la valve murale. Pour éteindre l'aspirateur, débranchez le boyau.



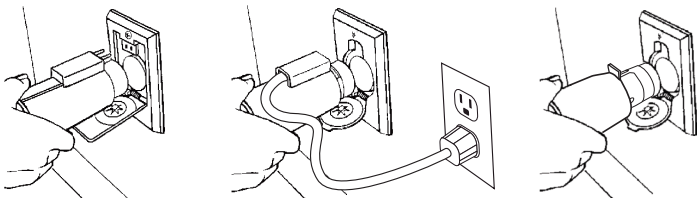
Valves murales :

Type A : 24V et 110V Connexion rapide / Type B : 24V et 110V / Type C : 24V seulement.

Le type A combine le 24V ainsi que le 110V pour l'arrêt-départ de l'aspirateur et du balai électrique grâce à l'interrupteur situé à la poignée du boyau. Si applicable, vous devrez aussi brancher la fiche 110 volts qui accompagne votre boyau à la prise murale électrique pour alimenter votre balai électrique.

Le type B combine le 24V et le 110V pour l'arrêt-départ de l'aspirateur et du balai grâce à l'interrupteur situé à la poignée du boyau. Il s'agit d'une prise de type « supervalve ». Certains types de boyaux possèdent l'option Connexion Rapide 110V. Cette option permet une alimentation de votre balai électrique directement dans l'embout du côté mur.

Le type C utilise le 24V pour l'arrêt-départ de l'aspirateur seulement grâce à l'interrupteur situé à la poignée du boyau.



A) Connexion rapide

B) Standard

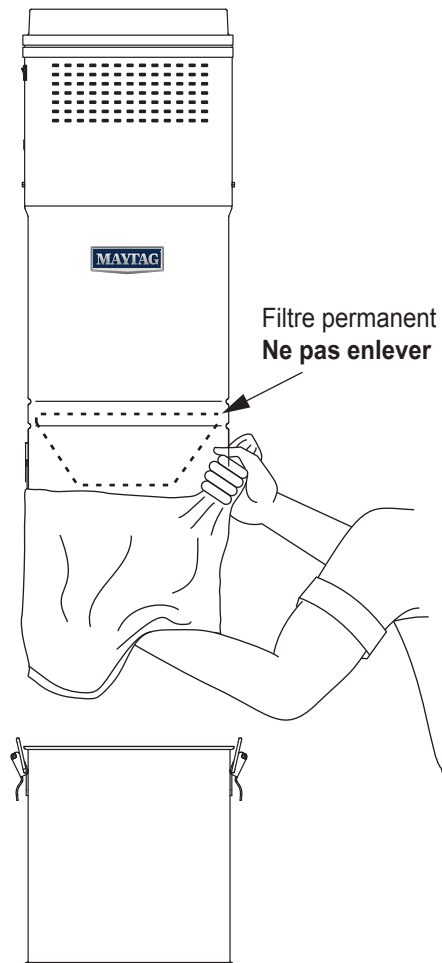
C) 24V

Maintenance périodique

Lors de la vidange du contenant ou changement du sac de filtration, il est recommandé d'inspecter le filtre permanent situé à l'intérieur de l'unité, au-dessus des valves d'admission. Si la surface du filtre semble être empoussiérée, procédez comme suit pour le nettoyage :

N'enlevez pas le filtre permanent!

1. Débranchez le cordon d'alimentation pour empêcher le fonctionnement involontaire de l'aspirateur central. Retirez le récipient de saleté en soulevant les loquets, un à la fois. Mettre le contenant de côté.
2. Si vous utilisez un sac de filtration, retirez le sac en saisissant le rebord en carton sur les côtés opposés et tirez le rebord loin de l'adaptateur du sac.
3. Placez un sac à ordures ouvert ou un autre grand sac en plastique autour de l'extrémité ouverte de l'appareil. Sceller le sac à l'unité en l'attachant serré ou en saisissant l'excédent de sac dans une main pour éviter que la poussière s'échappe.
4. Atteindre le sac dans le fond de l'unité en utilisant le sac comme un gant. Agitez doucement le filtre pour déloger la poussière de sorte que la poussière tombe dans le sac.
5. Retirez le sac en plastique, videz le contenant dans le sac (et le sac, le cas échéant) et en disposer.
6. Installez un nouveau sac de filtration (si nécessaire) et réinstallez le contenant. Utilisez les loquets pour accrocher la cuve et fermez les deux côtés en même temps pour s'assurer de l'enlèvement avec le joint.
7. Branchez le cordon d'alimentation et vérifiez le bon fonctionnement de l'aspirateur central.



RÉSOLUTION DE PROBLÈMES


Essayez d'abord les solutions proposées ici. Si vous avez besoin d'une aide supplémentaire ou de plus d'assistance qui pourraient vous éviter un appel de service, voir la page de garantie de ce guide ou visiter www.maytagcentralvacuums.com

Contactez-nous par courrier, courriel ou par téléphone pour toute question ou préoccupation à l'adresse ci-dessous :

Maytag Central Vacuums
15 Crane Ave.
Stratford (Ontario) Canada N5A-6S8
1-888-226-2822

www.maytagcentralvacuums.com
customerservice@maytagcentralvacuums.com

Veillez inclure un numéro de téléphone de jour dans votre correspondance.

SI VOUS RENCONTREZ	CAUSE POSSIBLE	SOLUTION RECOMMANDÉE
L'aspirateur ne s'allume pas lorsque l'interrupteur est à la position MARCHE et l'indicateur LED reste éteint.	Pas d'électricité dans la prise. Cordon d'alimentation non branché.	<div style="border: 1px solid black; padding: 10px;"> <p style="text-align: center;">⚠ AVERTISSEMENT</p> <div style="text-align: center;">  </div> <p style="text-align: center;">Risque de choc électrique</p> <p>Brancher sur une prise à 3 alvéoles reliée à la terre.</p> <p>Ne pas enlever la broche de liaison à la terre.</p> <p>Ne pas utiliser un adaptateur.</p> <p>Ne pas utiliser un câble de rallonge.</p> <p>Le non-respect de ces instructions peut causer un décès, un incendie ou un choc électrique.</p> </div> <p>Branchez-vous sur une autre prise. Vérifiez le panneau électrique pour un circuit disjoncté ou fusible brûlé.</p>
L'aspirateur ne s'allume pas lorsque l'interrupteur est à la position MARCHE et l'indicateur LED reste éteint.	Disjoncteur de surcharge a disjoncté.	Réinitialisez le disjoncteur : appuyez sur le bouton étiqueté « DISJONCTEUR » sur le côté de l'unité.
L'aspirateur s'allume mais s'éteint par lui-même.	Moteur surchauffe en raison d'un manque de ventilation.	Débranchez l'appareil et laissez refroidir le moteur jusqu'à 2 heures. Ceci réinitialisera le protecteur thermique. Vérifiez le sac de l'aspirateur (page 7). Ne pas utiliser avec un sac plein. Ne pas limiter l'entrée d'air. N'obstruez pas la ventilation. Vérifiez l'obstruction du boyau. Ne pas faire fonctionner sans boyau branché.
L'aspirateur ne s'éteint pas.	Le circuit de bas voltage est fermé ou court-circuité.	Débranchez les fils de bas voltage de l'aspirateur. Si l'unité s'éteint, le câblage bas voltage est fermé (court-circuité) dans le bâtiment. Vérifiez toutes les valves murales et les porte-poussières automatiques pour des fils emmêlés. Inspecter le câblage pour voir si des vis ou des agrafes ont perforés les fils.
Manque d'aspiration.	Le sac de l'aspirateur est plein. Obstruction dans le boyau ou accessoires. Le bac à poussière inférieur n'est pas correctement fixé.	Remplacez le sac (voir page 7) Si le blocage se trouve dans le boyau, insérer un long manche de balai pour déloger le blocage. Vérifier si le blocage se trouve dans les accessoires. Les blocages dans le boyau ou accessoires peuvent également activer le protecteur thermique. Assurez-vous que le fond soit bien scellé et que les loquets soient en place.

GARANTIE ASPIRATEUR CENTRAL MAYTAG®

(Offerte par Cana-Vac Systems Inc.)

ATTACHEZ VOTRE REÇU ICI. UNE PREUVE D'ACHAT EST REQUISE POUR OBTENIR UN SERVICE DE GARANTIE.

Veillez disposer des informations suivantes lorsque vous appelez le Centre expérience client :

- Nom, adresse et numéro de téléphone
- Numéro de modèle et numéro de série
- Une description claire et détaillée du problème
- Preuve d'achat, y compris le nom et l'adresse du concessionnaire ou du détaillant

SI VOUS AVEZ BESOIN D'ASSISTANCE :

1. Avant de nous contacter pour organiser le service, veuillez déterminer si votre produit nécessite une réparation. Certaines questions peuvent être traitées sans service. Veuillez prendre quelques minutes pour examiner notre section Dépannage ou Résolution de problèmes du guide d'utilisation et d'entretien, ou visitez www.maytagcentralvacuums.com
2. Tous les services de garantie sont fournis exclusivement par Cana-Vac Systems Inc. Aux États-Unis et au Canada, dirigez toutes les demandes de service de garantie vers :

Maytag Central Vacuums

1-888-226-2822 ou par courriel : customerservice@maytagcentralvacuums.com

GARANTIE DE 10 ANS SUR LES PIÈCES, 1 AN SUR LA MAIN-D'OEUVRE

Cana-Vac Systems Inc. garantit (à l'acheteur d'origine, dans son installation originale) que votre nouvel aspirateur central Maytag est garanti contre les défauts de fabrication pour une période de 10 ans et de 1 an pour la main-d'oeuvre à partir de la date d'achat.

RÉCLAMATION SUR GARANTIE

Pour faire une réclamation, retournez simplement votre unité avec la facture de vente originale (ou copie) à un centre de service autorisé pour la réparation ou le remplacement à notre discrétion. Cette garantie est limitée aux pièces seulement et n'inclut pas les frais d'expédition chez le fabricant, le cas échéant. Toute autre garantie exprimée ou impliquée n'est pas valide. Cette garantie s'applique à une utilisation résidentielle pour le propriétaire d'origine dans son installation d'origine seulement. La découverte de liquides dans l'aspirateur, matériaux de construction tels que la poussière de cloison sèche, ou tout autre types de matériel pour lesquels cette unité n'est pas conçue, ou l'enlèvement du filtre de protection, annule la garantie. Si vous achetez votre unité auprès d'un détaillant en ligne, toutes les réclamations doivent être traitées par l'intermédiaire du détaillant en ligne à partir duquel il a été acheté pour l'admissibilité à la garantie. La main-d'oeuvre est incluse dans la garantie pendant 1 an à compter de la date d'achat indiquée sur la facture de vente auprès du « CONCESSIONNAIRE AUTORISÉ » d'où l'unité a été achetée à l'origine.

CETTE GARANTIE NE S'APPLIQUE PAS SI L'INSPECTION RÉVÈLE QUE L'ASPIRATEUR CENTRAL A ÉTÉ MAL UTILISÉ OU VOLONTAIREMENT ENDOMMAGÉ PAR LE FEU, LES INONDATIONS OU TOUT AUTRE ÉVÉNEMENT.

Cana-Vac Systems Inc., P.O. Box 68, 15 Crane Ave., Stratford, ON. Canada N5A 6S8



Fabricado bajo licencia por Cana-Vac Systems Inc.

Guía del usuario

Aspiradora central

APRENDE MÁS

Para futuras referencias, anote el modelo y los números de serie de su producto. Estos números se pueden ubicar en una etiqueta en el costado de la aspiradora central.

Número de modelo : _____ Número de serie : _____

Registre su aspiradora central en: www.maytagcentralvacuums.com/en/register-warranty

Su seguridad y la seguridad de los demás son muy importantes

Hemos incluido muchos mensajes de seguridad importantes en este manual. Lea y obedezca siempre todos los mensajes de seguridad.



Este es el símbolo de seguridad.

Este símbolo le advierte de un peligro potencial que puede causarle la muerte o lesiones a usted o a otras personas.

Todos los mensajes de seguridad seguirán el símbolo de seguridad y la palabra "PELIGRO" o "ADVERTENCIA".

Estas palabras significan:

⚠ PELIGRO

Puede morir o sufrir lesiones graves si no sigue las instrucciones de inmediato.

⚠ ADVERTENCIA

Puede morir o sufrir lesiones graves si no sigue las instrucciones.

Todos los mensajes de seguridad le dirán el peligro potencial, le dirán cómo reducir la posibilidad de lesiones y le dirán lo que puede suceder si no se siguen las instrucciones.

INSTRUCCIONES DE SEGURIDAD IMPORTANTES

Al usar un aparato eléctrico, siempre se deben seguir las precauciones básicas, incluidas las siguientes.

LEA TODAS LAS INSTRUCCIONES ANTES DE USAR ESTE VACÍO CENTRAL.

Solo para uso doméstico

ADVERTENCIA: para reducir el riesgo de incendio, descarga eléctrica o lesiones al usar su aspiradora central, siga estas precauciones básicas:

- No lo use en superficies mojadas.
- No permita que se utilice como juguete. Es necesario prestar mucha atención cuando lo utilizan niños o cerca de ellos.
- Utilícelo sólo como se describe en este manual. utilice únicamente los accesorios recomendados por el fabricante.
- No lo utilice con un cable o enchufe dañado. Si el electrodoméstico no funciona como debería, se ha caído, dañado o expuesto al agua, haga que lo inspeccione un técnico de servicio autorizado.
- No tire del cable ni lo transporte por él, no utilice el cable como manija, no cierre la puerta sobre el cable ni tire del cable alrededor de los bordes o esquinas afilados. Mantenga el cable alejado de las superficies calientes.
- No desenchufe tirando del cable. para desenchufar, agarre el enchufe, no el cable
- No manipule el enchufe, la aspiradora central ni los accesorios eléctricos con las manos mojadas.
- No introduzca ningún objeto en las aberturas. no lo use con ningún bolígrafo bloqueado: manténgalo libre de polvo, pelusa, cabello y cualquier cosa que pueda reducir el flujo de aire.
- Mantenga el cabello, la ropa suelta, los dedos y todas las partes del cuerpo alejados de las aberturas y las partes móviles.
- Apague los controles antes de desenchufar.
- Tenga especial cuidado al limpiar escaleras.
- No lo utilice para recoger líquidos inflamables o combustibles, como cigarrillos, fósforos o cenizas calientes.
- La manguera de accesorios contiene cables eléctricos. no lo use si está dañado, cortado o perforado. Evite recoger objetos afilados.
- Conéctelo únicamente a un tomacorriente debidamente conectado a la pared. Consulte las instrucciones de conexión a tierra.
- No lo use sin la bolsa para el polvo y / o los filtros colocados.

GUARDA ESTAS INSTRUCCIONES

INSTRUCCIONES DE PUESTA

Esta aspiradora central debe estar conectada al muro. Si se produce un mal funcionamiento o una avería, la conexión al muro proporciona un camino de menor resistencia para la corriente eléctrica a fin de reducir el riesgo de descarga eléctrica. Esta aspiradora central está equipada con un cable que tiene un conductor de conexión y un enchufe de conexión al muro. El enchufe debe insertarse en un tomacorriente apropiado que esté correctamente instalado y conectado al muro de acuerdo con todos los códigos y ordenanzas locales.

ADVERTENCIA



Peligro de Choque Eléctrico

Conecte a un contacto de pared de conexión a tierra de 3 terminales.

No quite el terminal de conexión a tierra.

No use un adaptador.

No use un cable eléctrico de extensión.

No seguir estas instrucciones puede ocasionar la muerte, incendio o choque eléctrico.

- La conexión incorrecta del conductor de puesta al muro del equipo puede resultar en un riesgo de descarga eléctrica. Consulte con un electricista calificado o personal de servicio si tiene dudas sobre si el tomacorriente está debidamente conectado al muro. No modifique el enchufe provisto con la aspiradora central.

- Si no encaja en el tomacorriente, haga que un electricista calificado instale un tomacorriente adecuado.

Esta aspiradora central es para usar en un circuito nominal de 120 V y tiene un enchufe de conexión al muro que se parece al enchufe ilustrado en la Figura 1. Asegúrese de que la aspiradora central esté conectada a un tomacorriente que tenga la misma configuración que el enchufe de la Figura 2. Los tomacorrientes como se muestra en la Figura 3 no deben usarse. No se debe utilizar ningún adaptador con esta aspiradora central.

TOMACORRIENTE DE 3 CLAVIJAS

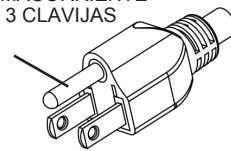
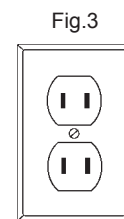
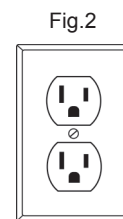


Fig.1



Nota sobre el interruptor de corte térmico del motor

Los motores de flujo (algunos modelos) tienen un interruptor térmico integrado con los devanados del motor. Si fluye aire insuficiente a través de los devanados del motor, como en el caso de que el sistema funcione con una manguera bloqueada o una bolsa de vacío llena, o con todas las válvulas de pared cerradas y sin manguera conectada, el interruptor de corte térmico puede activarse. Si la aspiradora central se apaga repentinamente por sí sola durante un uso prolongado, desenchúfela y espere hasta 2 horas para que se enfríe. El interruptor térmico se restablecerá automáticamente solo cuando se desconecte la energía y la unidad se haya enfriado lo suficiente. Si esto ocurre, siga los pasos de solución de problemas en la página 8.

ANTES DE EMPEZAR, SIGUE LEYENDO

Monte la unidad al final de una línea troncal de tubería de vacío existente a menos de 5' (153 cm) de un receptáculo dedicado de 15 A, 120 VCA. No utilice un cable de extensión. Si no hay un receptáculo dedicado cerca, mueva la tubería de aspiración centralizada para llegar a la nueva ubicación.

Si instala un nuevo sistema con tubería nueva, las ubicaciones adecuadas para la unidad central de aspiración son el garaje, el sótano, el lavadero u otra área remota, excepto donde esté expuesta a la intemperie. Se requiere una salida de 15 A, 120 V obsoleta para alimentar el sistema.

Se proporcionan tomas laterales izquierda y derecha para una conexión conveniente a la tubería existente. Use la entrada del lado izquierdo o derecho y coloque la tapa de PVC incluida firmemente en la entrada sin usar. Una entrada debe estar tapada en todo momento. No pegue ni aditamentos a las entradas.

Este aparato requiere ventilación. No lo instale en un área que produzca calor o en un espacio confinado, como una sala de calefacción o un ático. No se recomienda la instalación del armario.

Monte el soporte de pared donde haya al menos 12" (30 cm) de espacio por encima y a los lados de la aspiradora central. Móntelo de manera que haya al menos 18" (46 cm) sobre el piso. Para la mayoría de las instalaciones, la parte superior del soporte se puede montar 50" (127 cm) sobre el piso. Ajuste de acuerdo con los requisitos anteriores.

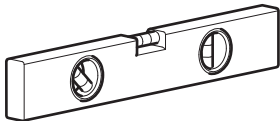
Cuando levante la aspiradora central a su posición, acérquese a la unidad y doble las rodillas. Agarre la unidad por la parte inferior con una mano y la parte superior con la otra. Asegúrese de que el cable de alimentación esté despejado del área de montaje y no se pueda pellizcar al colocarlo en el soporte de pared.

Use una abrazadera de manguera para asegurar el silenciador al puerto de escape.

Si lo desea, el escape puede ventilarse al aire libre. La longitud máxima del tubo de escape es de 15' (4,6 m). No disponible en todos los modelos. (Requiere hardware adicional)

Herramientas recomendadas:

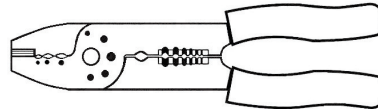
Nivelador



Lentes de seguridad



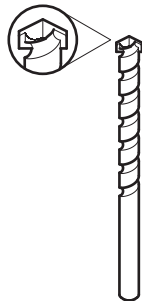
Pelacables / crimpadora



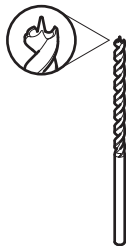
Lápiz



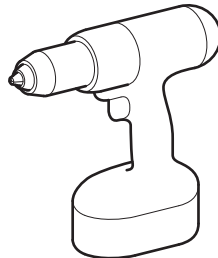
Buscador de estudio



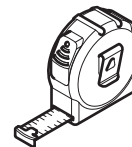
Broca para mampostería de 1/4" (6,5 mm)



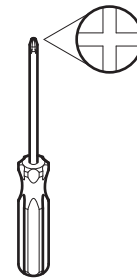
Broca para madera de 1/8" (3,2 mm)



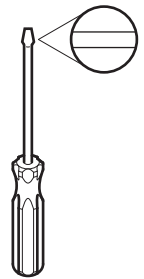
Taladro eléctrico



Cinta métrica



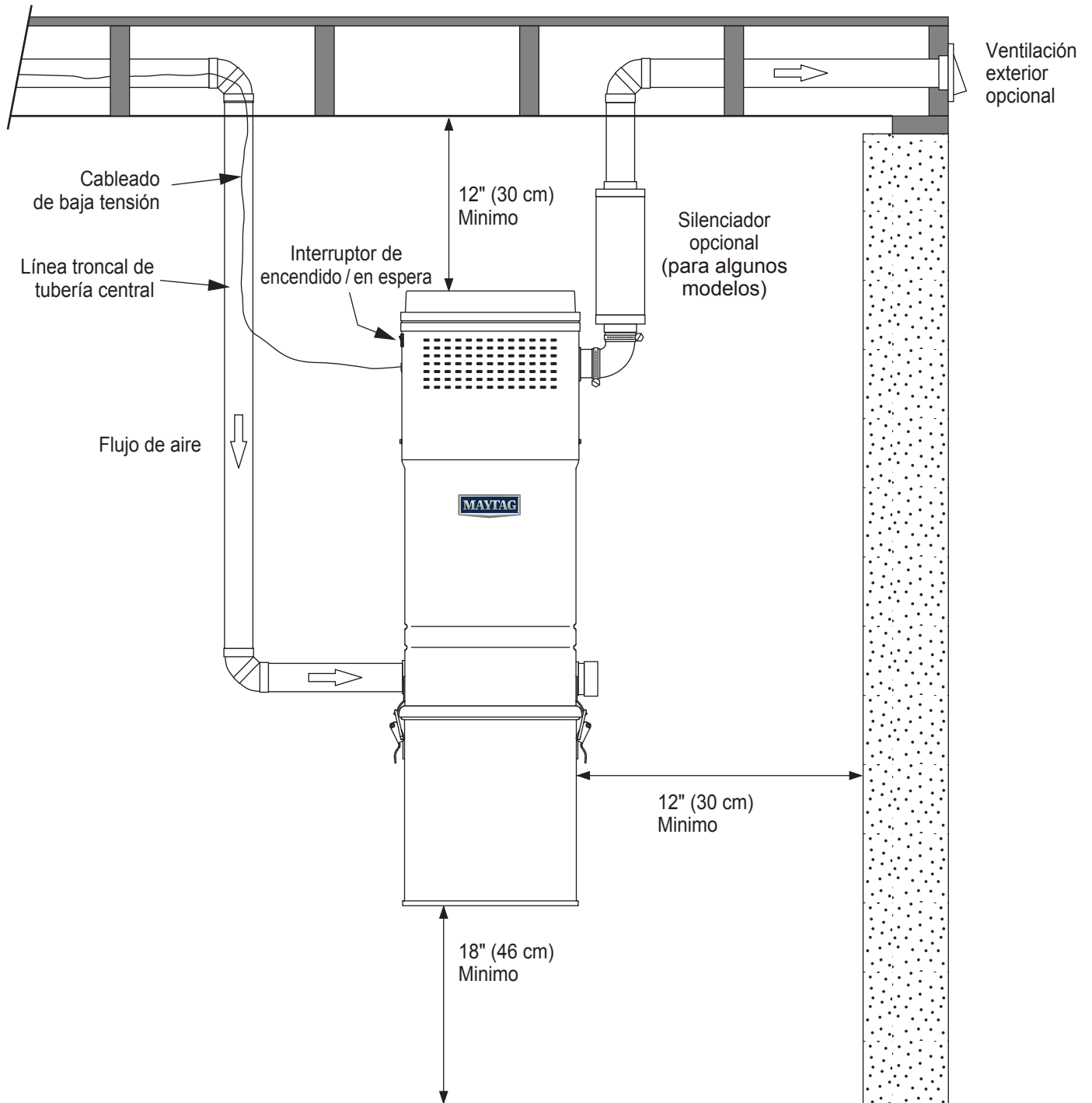
2 Phillips



Ranura de 3/8" (9,5 mm)

INSTALACIÓN

Instalación típica



El hardware se envía dentro de la parte inferior de la unidad. Retirar antes de continuar.

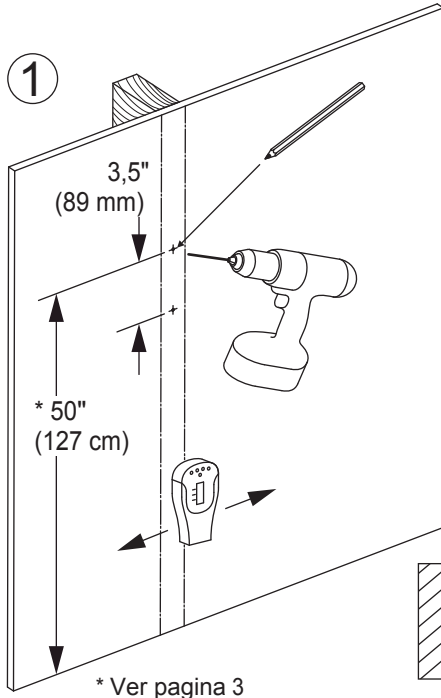
INSTALACIÓN

Instalación del soporte de pared:

PANEL DE YESO / MONTANTE

Debe montarse directamente en el montante detrás del panel de yeso

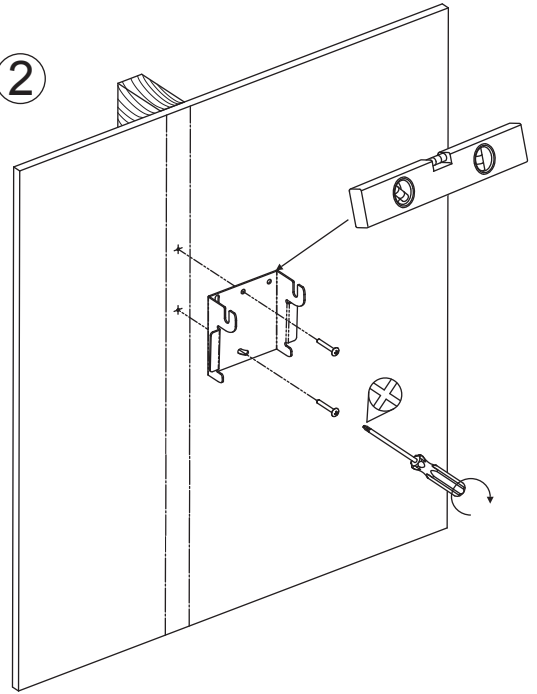
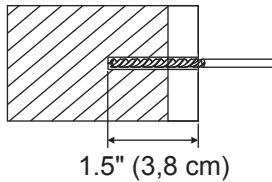
Paso ①



Paso ②

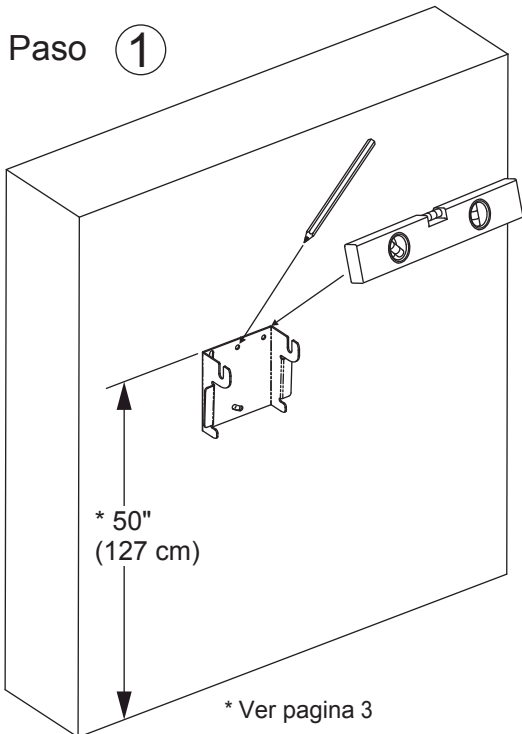


1/8" (3,2 mm)
Pedazo de madera

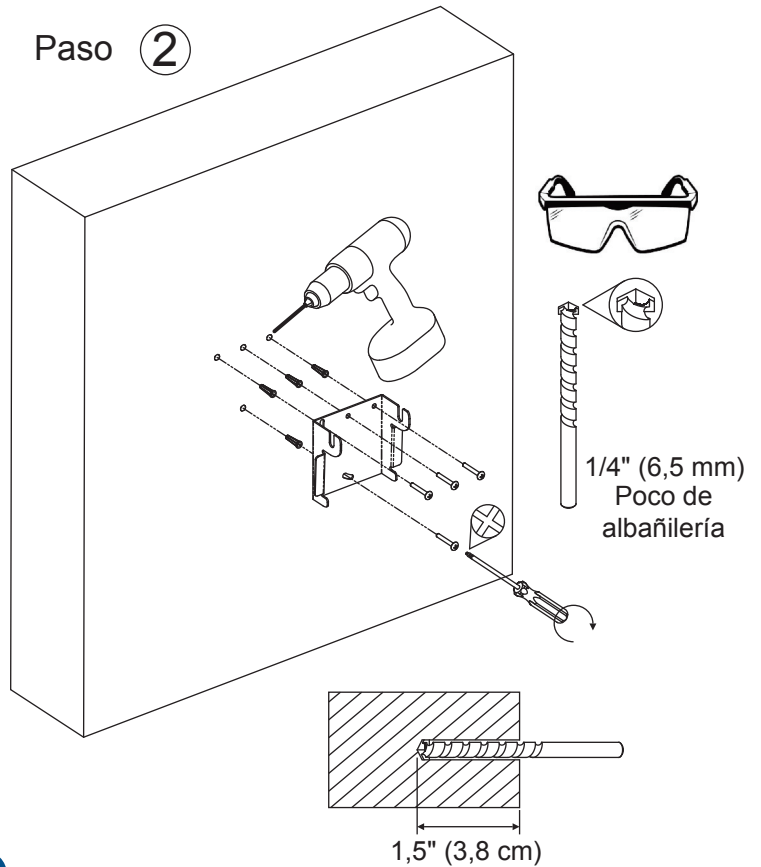


PARED DE CONCRETO

Paso ①

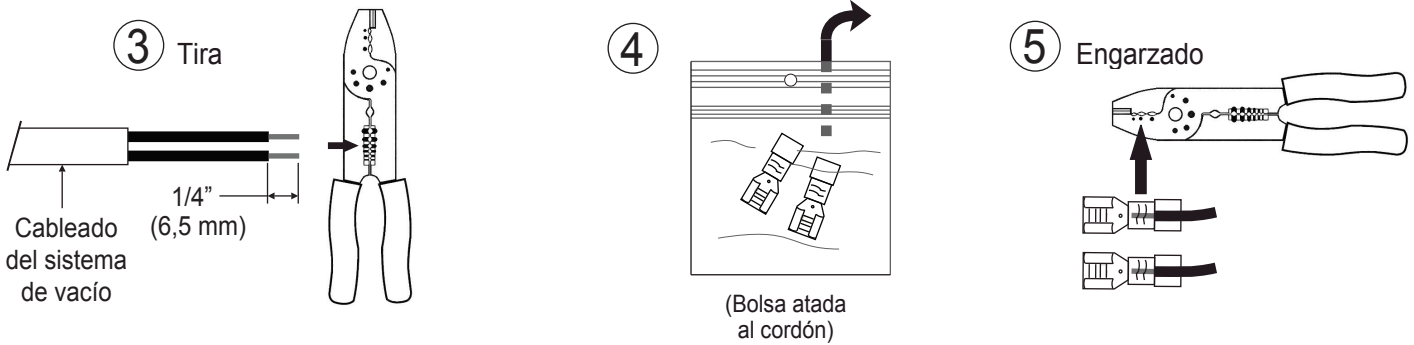


Paso ②

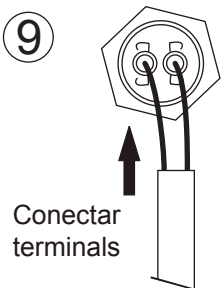
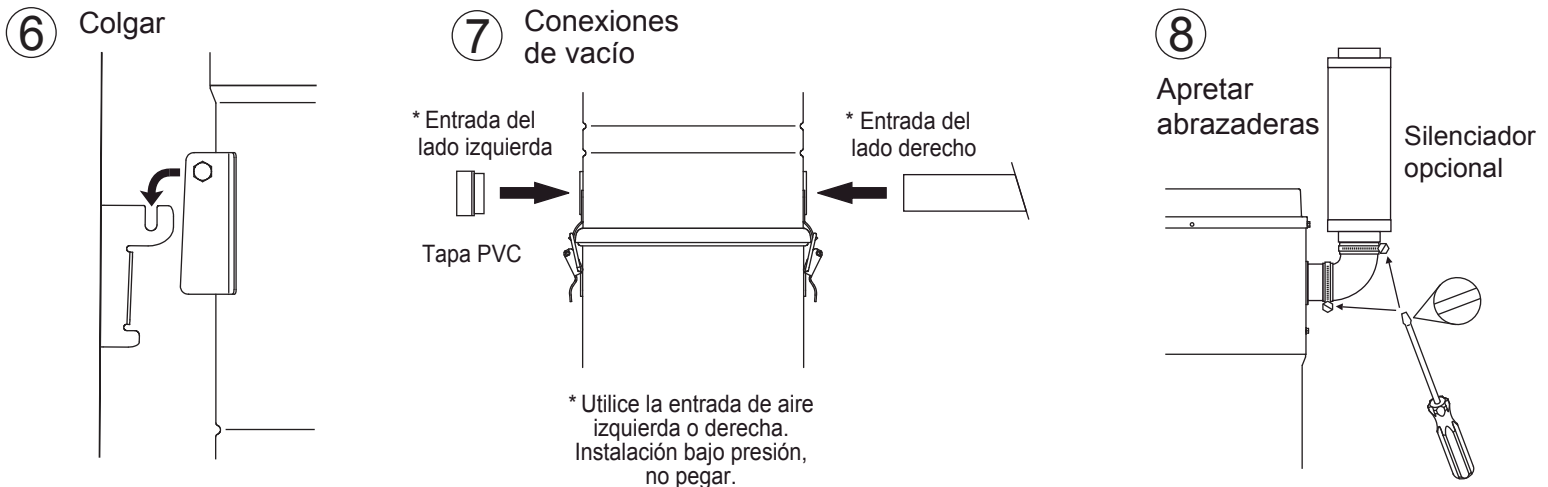


INSTALACIÓN

Cableado de baja tensión :

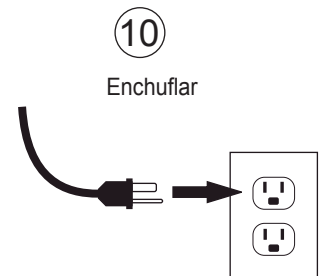


Pasos finales :



⚠ ADVERTENCIA

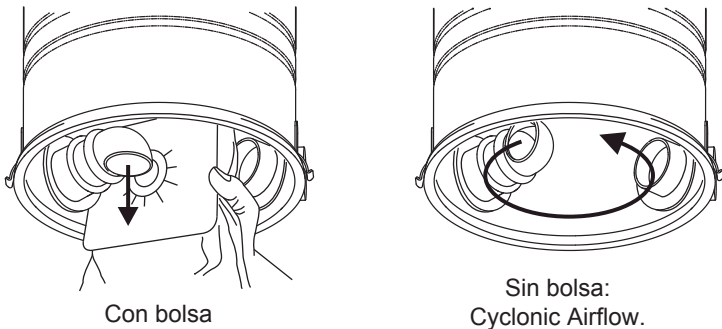
Peligro de Choque Eléctrico
Conecte a un contacto de pared de conexión a tierra de 3 terminales.
No quite el terminal de conexión a tierra.
No use un adaptador.
No use un cable eléctrico de extensión.
No seguir estas instrucciones puede ocasionar la muerte, incendio o choque eléctrico.



DESECHE TODO EL EMBALAJE DESPUÉS DE LA INSTALACIÓN

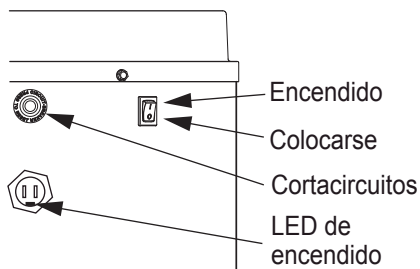
Opción de bolsas de filtro

Para una filtración adicional y una limpieza fácil, se puede usar con un adaptador de bolsa de filtro al interior del puerto de entrada operativo como se muestra con la abertura apuntando hacia abajo. Despliegue la bolsa de filtro y deslice el orificio sobre el extremo del adaptador hasta que el sello de la bolsa esté entre las dos crestas. Deje que la bolsa cuelgue. Si no se utilizará una bolsa de filtro, gire el adaptador de bolsa 90 para crear una acción de flujo de aire ciclónico dentro de la aspiradora.



Utilización de la aspiradora central

El LED en el conector de bajo voltaje se iluminará cuando la aspiradora central tenga energía. Para probar brevemente la aspiradora, coloque el interruptor en la posición de ENCENDIDO durante unos segundos. Luego, mueva el interruptor hacia abajo al modo de espera. Deje el interruptor en modo de ESPERA para permitir el control del motor de aspiración cuando una manguera está conectada a una onda de pared en funcionamiento. Algunos modelos de mangueras tendrán un interruptor integrado en el mango para controlar la operación. Las mangueras sin interruptor encenderán inmediatamente la aspiradora cuando se conecten a la válvula de pared. Para apagar la aspiradora, desenchufe la manguera.



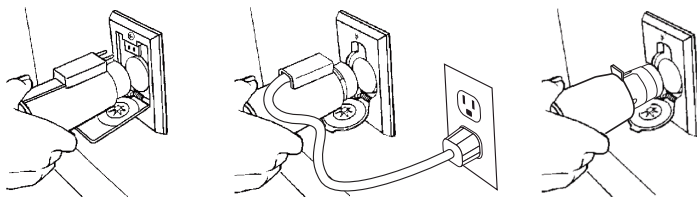
Válvulas de pared:

Tipo A : 24V y 110V Conexión rápida / Tipo B : 24V y 110V / Tipo C : solo 24V.

Tipo A combina 24V y 110V para detener y encender la aspiradora y la escoba eléctrica usando el interruptor ubicado en el enchufe de 110V que viene con su manguera al tomacorriente de pared para alimentar su escoba eléctrica.

Tipo B combine 24V y 110V para detener e iniciar la aspiradora y la escoba mediante el interruptor ubicado en el mango de la manguera. Este es un enchufe tipo « superválvula ». Algunos tipos de mangueras tienen la opción de conexión rápida de 110V. Esta opción le permite alimentar su escoba eléctrica directamente en la boquilla del lado de la pared.

Tipo C utiliza 24V para detener y comenzar la aspiradora solo con el interruptor ubicado en el mango de la manguera.



A) Conexión rápida

B) Estándar

C) 24V

Mantenimiento periódico:

Al vaciar el contenedor de suciedad o la bolsa de filtro, se recomienda inspeccionar el filtro permanente ubicado dentro de la unidad sobre los puertos de entrada. Si la superficie del filtro parece estar cubierta de polvo, límpiela de la siguiente manera.

¡No retire el filtro permanente!

1. Desenchufe el cable de alimentación para evitar el funcionamiento accidental de la aspiradora central. Retire el contenedor de suciedad inferior levantando los pestillos laterales, uno a la vez. Deje el recipiente a un lado.
2. Si usa una bolsa de filtro, retírela agarrando la pestaña de cartón en los lados opuestos y retírela del adaptador de la bolsa.
3. Coloque una bolsa de basura abierta u otra bolsa de plástico grande alrededor del extremo abierto de la unidad. Selle la bolsa a la unidad escribiéndola con fuerza o agarrando el exceso de bolsa con una mano para evitar que se escape el polvo.
4. Busque debajo de la bolsa en la parte inferior de la unidad usando la bolsa como guante. Agite el filtro suavemente para desalojar el polvo del filtro de modo que el polvo caiga dentro de la bolsa.
5. Retire la bolsa de plástico, vacíe el contenido del contenedor de suciedad en ella, incluida la bolsa de filtro (si corresponde) y deséchela.
6. Instale una nueva bolsa de filtro (si es necesario) y vuelva a instalar el contenedor de suciedad. Utilice los ganchos del cuerpo para colgar el contenedor de suciedad y asegure ambos lados al mismo tiempo para asegurarse de que el contenedor esté alineado con la junta.
7. Enchufe el cable de alimentación y verifique el funcionamiento correcto de la aspiradora.



SOLUCIONADOR DE PROBLEMAS


Primero pruebe las soluciones sugeridas aquí. Si necesita más ayuda o más recomendaciones que puedan ayudarlo a evitar una llamada de servicio, consulte la página de garantía en este manual o visite: www.maytagcentralvacuums.com

Contáctenos por correo, correo electrónico o teléfono con cualquier pregunta o inquietud a la siguiente dirección:

Aspiradoras centrales Maytag
15 Crane Ave.
Stratford (Ontario) Canada N5A 6S8
1-888-226-2822

www.maytagcentralvacuums.com
customerservice@maytagcentralvacuums.com

Incluya un número de teléfono durante el día en su correspondencia

SI EXPERIMENTAS	CAUSA POSIBLE	SOLUCIÓN RECOMENDADA
La unidad de vacío no se enciende y el LED de encendido está apagado.	No hay energía en la toma de corriente. El cable de alimentación no está enchufado.	<div style="border: 1px solid black; padding: 10px;"> <p style="text-align: center;">⚠ ADVERTENCIA</p> <div style="text-align: center;">  </div> <p style="text-align: center;">Peligro de Choque Eléctrico</p> <p>Conecte a un contacto de pared de conexión a tierra de 3 terminales.</p> <p>No quite el terminal de conexión a tierra.</p> <p>No use un adaptador.</p> <p>No use un cable eléctrico de extensión.</p> <p>No seguir estas instrucciones puede ocasionar la muerte, incendio o choque eléctrico.</p> </div> <p>Conéctelo a otro tomacorriente. Revise el panel eléctrico en busca de un disyuntor disparado o un fusible quemado.</p>
La unidad de vacío no se enciende y el LED de encendido está encendido.	Se ha disparado el disyuntor de sobrecarga.	Reinicie el disyuntor. Presione el botón etiquetado como "INTERRUPTOR DE CIRCUITO" en el costado de la unidad.
La unidad se enciende pero se apaga sola	Motor sobrecalentado debido a la falta de flujo de aire de refrigeración.	Desenchufe la unidad y deje que el motor se enfríe por hasta 2 horas. Esto restablecerá el protector térmico. Revise la bolsa de la aspiradora (Página 7). No opere con la bolsa llena. No permita que se restrinja el flujo de aire. No obstruya la ventilación. Verifique que la manguera no esté obstruida No opere sin una manguera conectada.
La unidad no se apaga	El circuito de bajo voltaje está cerrado o en cortocircuito.	Desenchufe los cables de bajo voltaje de la unidad de vacío. Si la unidad se apaga, el cableado de bajo voltaje está cerrado (en cortocircuito) dentro del edificio. Verifique primero todas las válvulas de pared y las bandejas de vacío para ver si hay cables cruzados. Inspeccione el cableado donde sea posible en busca de tornillos o grapas a través de los cables.
Falta de succión	La bolsa de vacío está llena. Obstrucción en manguera o accesorios. El contenedor de suciedad inferior no está colocado correctamente.	Reemplace la bolsa (vea la página 7). Si el bloqueo está en la manguera, inserte un objeto largo y sin punta, como un mango de escoba, para despejar el bloqueo. Revise los accesorios para ver si hay bloqueos. Los bloqueos en la manguera o los accesorios también pueden hacer que se active el protector térmico. Asegúrese de que la parte inferior esté bien sellada y que los pestillos estén en su lugar..

GARANTÍA DE LA ASPIRADORA CENTRAL MAYTAG®

(proporcionada por Cana-Vac Systems Inc.)

AJUNTE AQUÍ SU RECIBO. SE REQUIERE COMPROBANTE DE COMPRA PARA OBTENER EL SERVICIO DE GARANTÍA.

Tenga la siguiente información disponible cuando llame al Centro de experiencia del cliente:

- Nombre, dirección y teléfono
- Número de modelo y número de serie
- Una descripción clara y detallada del problema
- Prueba de compra que incluye el nombre y la dirección del distribuidor o minorista

SI NECESITA SERVICIO:

1. Antes de comunicarse con nosotros para organizar el servicio, determine si su producto requiere reparación. Alguna pregunta se puede abordar sin servicio. Tómese unos minutos para revisar la sección Solución de problemas o resolución de problemas de la Guía de uso y cuidado, o visite www.maytagcentralvacuums.com
2. Todo el servicio de garantía es proporcionado exclusivamente por Cana-Vac Systems Inc. en los Estados Unidos y Canadá, dirija todas las consultas sobre el servicio de garantía a : **Aspiradoras centrales Maytag.**

Aspiradoras centrales Maytag

1-888-226-2822 o correo electrónico : customerservice@maytagcentralvacuums.com

PIEZAS DE DIEZ AÑOS, GARANTÍA LABORAL DE UN AÑO

Cana-Vac Systems Inc. garantiza (al comprador original, en su instalación original) que su nueva unidad de potencia de aspiración centralizada Maytag está garantizada contra defectos en materiales y mano de obra por un período de 10 años que incluye 1 año de mano de obra a partir de la fecha de compra.

RECLAMOS DE GARANTIA

Para iniciar una reclamación de garantía, simplemente devuelva su unidad con la factura de venta original (o copia) a un "CENTRO DE SERVICIO AUTORIZADO" local para su reparación o reemplazo a nuestra opción. Esta garantía se limita solo a las piezas y no incluye los gastos de envío al fabricante si corresponde. No se aplica ninguna otra garantía expresa o implícita. Esta garantía se aplica a aplicaciones residenciales y es para el propietario original en su instalación original únicamente. Aspirar líquidos, materiales de construcción como polvo de paneles de yeso o cualquier otro tipo de material que esta unidad no esté diseñada, o quitar el filtro protector anula la garantía. Si compró su unidad en un minorista en línea, todas las reclamaciones de garantía deben procesarse a través del minorista en línea al que se compró para la elegibilidad de la garantía. el "CONCESIONARIO AUTORIZADO" desde donde se compró originalmente la unidad.

ESTA GARANTÍA NO SE APLICARÁ SI LA INSPECCIÓN REVELA QUE LA UNIDAD DE POTENCIA DE ASPIRACIÓN CENTRAL HA SIDO ABUSADA, MAL UTILIZADA O DAÑADA INTENCIONALMENTE POR EL FUEGO, LA INUNDACIÓN O CUALQUIER OTRO ACTO FORTUITO.

Cana-Vac Systems Inc., P.O. Box 68, 15 Crane Ave., Stratford, ON. Canada N5A 6S8

® / ™ © 2021 Maytag. All rights reserved. Manufactured under license by Cana-Vac, Ontario, Canada.
LIMITED WARRANTY PROVIDED BY THE MANUFACTURER

® / ™ © 2021 Maytag. Tous droits réservés. Fabriqué sous licence par Cana-Vac, Ontario, Canada.
GARANTIE LIMITÉE FOURNIE PAR LE FABRICANT

® / ™ © 2021 Maytag. Todos los derechos reservados. Fabricado bajo licencia por Cana-Vac, Ontario, Canadá
GARANTÍA LIMITADA PROPORCIONADA POR EL FABRICANTE

02/21

Printed in Canada
Imprimé au Canada
Impreso en Canadá

W11454804A