

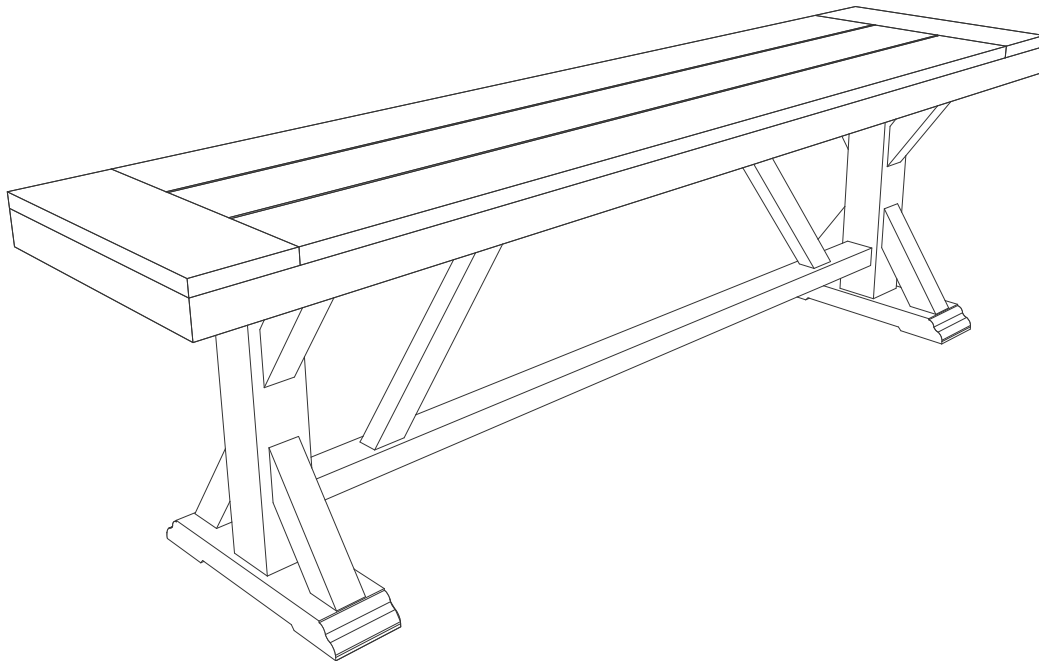
Item #SKU#  
Model #B083-20V0

# HAMPTON BAY®

## USE AND CARE GUIDE

---

### SILVER OAKS FARMHOUSE WOOD DINING WITH PICNIC BENCHES - BENCHES BOX 2



Questions, problems, missing parts? Before returning to the store,  
call Hampton Bay Customer Service  
8 a.m. – 7 p.m., EST, Monday – Friday, 9 a.m. – 6 p.m., EST, Saturday

**1-855-HD-HAMPTON**

**HAMPTONBAY.COM**

---

#### **THANK YOU**

*We appreciate the trust and confidence you have placed in Hampton Bay through the purchase of this bench. We strive to continually create quality products designed to enhance your home. Visit us online to see our full line of products available for your home improvement needs. Thank you for choosing Hampton Bay!*

# Table of Contents

<b>Table of Contents</b> .....	<b>2</b>	Chair Package Contents .....	5
<b>Safety Information</b> .....	<b>2</b>	<b>Assembly</b> .....	<b>6</b>
<b>Warranty</b> .....	<b>3</b>	<b>Assembly (continued)</b> .....	<b>7</b>
<b>Pre-Assembly</b> .....	<b>4</b>	<b>Maintenance</b> .....	<b>8</b>
Planning Assembly.....	4		
Hardware Included .....	4		

## Safety Information

### SAVE THESE INSTRUCTIONS



**WARNING:** Do not use the chair before all the bolts are fully tightened. If the bolts are not fully tightened, the chair section can become loose and may cause the chair to collapse which may result in injury or damage.



**WARNING:** When not in use, secure the product in a cool and covered location.

### READ ALL INSTRUCTIONS BEFORE USE

To reduce the risk of injury to persons:

1. Close supervision is necessary when this furnishing is used by or near children, or disabled persons, if applicable.
2. Use this furnishing only for its intended use as described in these instructions. Do not use attachments not recommended by the manufacturer.
3. Use only vendor-supplied hardware to assemble this item. Using unauthorized hardware could jeopardize the structural integrity of the item.
4. Hardware may loosen overtime. Periodically check that all connections are tight.

# Warranty

---

## WHAT IS COVERED

The furniture is warranted to be free from defects in material and workmanship of the original product when purchased from one of our authorized dealers. If a product fails and is under the terms of our limited warranty, the item will be replaced, usually for a small fee. In the case of discontinued models, an item of similar quality and style will be offered to the customer.

### 1 Year Limited Frame Warranty

**Frames** are warranted to be free from defects in material and workmanship. Fading or discoloring caused by putting the product under sunlight or rain is not covered by this limited warranty. Damage to the frame due to improper assembly or exposure to water and subfreezing temperatures is not covered. Do NOT allow water to accumulate inside the frame.

**The finish** is warranted against peeling, cracking, or blistering for a period of 1 year, provided the unit has not been scratched or abraded. Scratches and chips resulting from normal wear and use are not covered. Peeling resulting from exposure to elements is not covered.

## WHAT IS NOT COVERED

Furniture used for commercial, contractor or any non-residential purposes, clearance items, display models or items purchased "as is", freight damage, furniture damaged by acts of nature, vandalism, fire, abuse, lack of proper care and maintenance, or improper assembly, straps and fabric against fading or discoloration from exposure to elements, oil spills, fluids or chemicals; glass against breakage; hardware against corrosion or rusting; buckling or splitting of tubing resulting from exposure to water and freezing temperatures.

Also Excluded: Loss of use or time, inconvenience, money, travel, packaging or any other consequential or incidental damages. In no event shall the manufacturer's responsibility exceed the value of the replacement product.

Warranty is to the original purchaser when items are purchased from one of our authorized retailers and is not transferable. All warranty claims must be submitted with a dated register receipt within the warranty period. Should replacement of the warranty item be unavailable, the manufacturer reserves the right to substitute items of our choice that are of similar style and quality. For quality control purposes and verification, we reserve the right to request photography of the damaged item(s). The terms of this warranty are subject to change without notice.

Contact the Customer Service Team at 1-855-HD-HAMPTON or visit [www. Hamptonbay.com](http://www.Hamptonbay.com).

# Pre-Assembly

## PLANNING ASSEMBLY

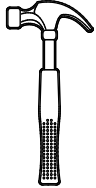
Assemble your unit in an area free from any objects that might scratch the surface of your unit.

Examine all packing material before discarding as shortages may occur from parts left in the packing material.

Please read the instructions carefully, and verify all parts are included.

All bolts need to be tightened from time to time to avoid damage.

## TOOLS REQUIRED



Claw  
hammer

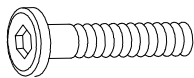


Safety  
goggles

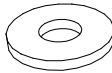
## HARDWARE INCLUDED



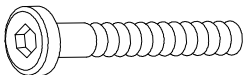
**NOTE:** Hardware not shown to actual size.



— AA



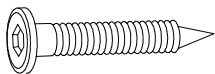
— EE



— BB



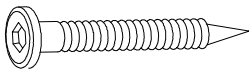
— FF



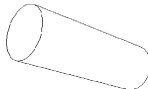
— CC



— GG



— DD

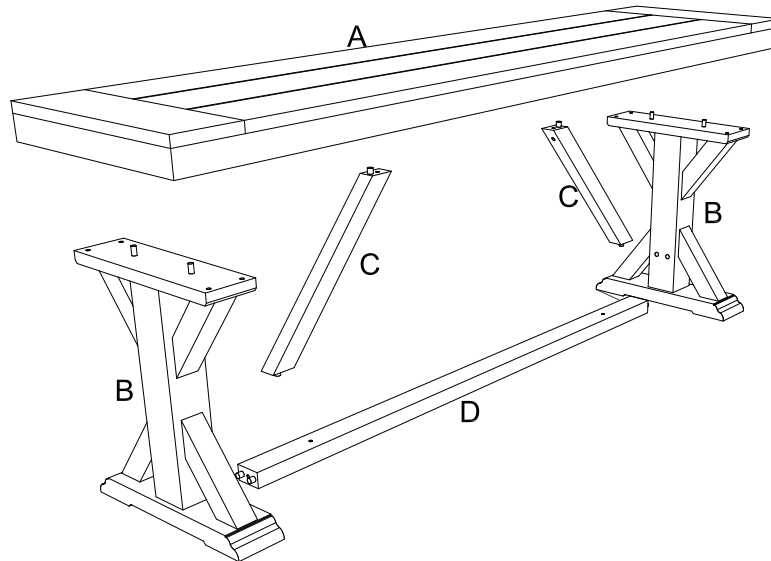


— HH

Part	Description	Quantity
AA	M6 x 30 Bolts	8+1
BB	M6 x 50 Bolts	2+1
CC	M6 x 35 Screw	2+1
DD	M6 x 50 Screw	2+1
EE	Flat Washer	8+1
FF	Lock Washer	8+1
GG	Allen Key	1
HH	Wooden pegs	4+1

# Pre-Assembly (continued)

## CHAIR PACKAGE CONTENTS

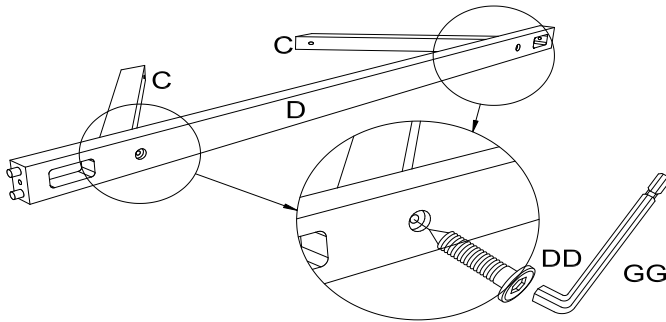


Part	Description	Quantity
A	Chair Seat	1
B	Leg Frame	2
C	Support	2
D	Stretcher	1

# Assembly

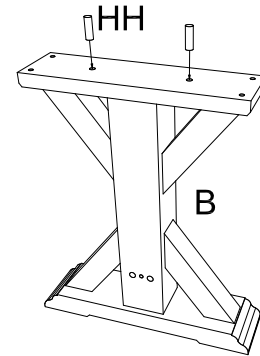
## 1 Connecting the Support (C) to the Stretcher (D)

- Connect the Support (C) to the Stretcher (D) on a soft surface using Screws (DD). Tighten securely using the Allen Key (GG).



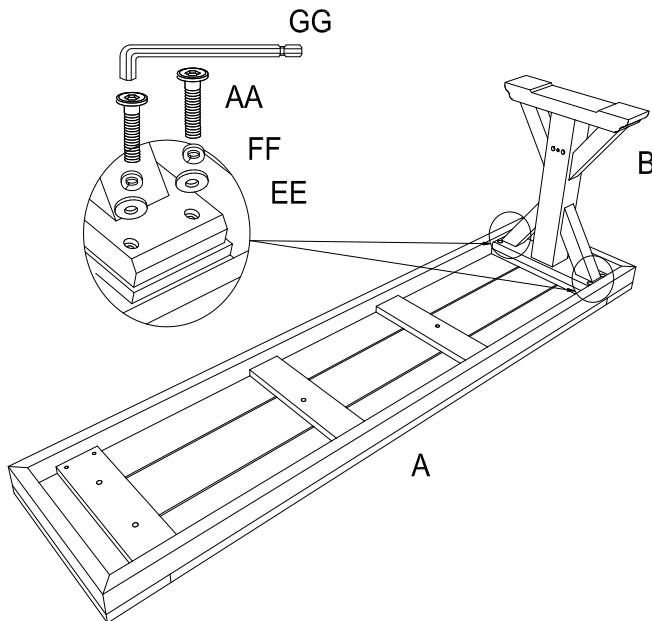
## 2 Connecting Leg Frame (B) to the Wooden Pegs (HH)

- Connect the Leg Frame (B) to the Wooden Pegs (HH) using a Claw Hammer.



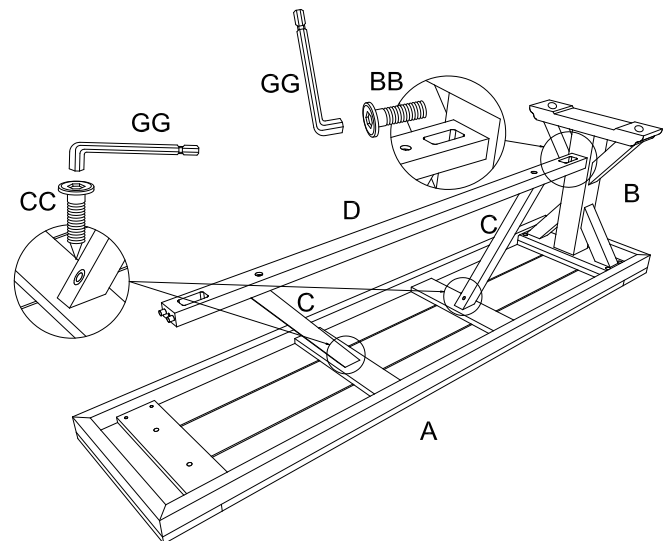
## 3 Connecting the Chair Seat (A) to the Leg Frame (B)

- Place the Chair Seat (A) on a soft surface.
- Attach the Leg Frame (B) to the Chair Seat (A) using M6x30 Bolts (AA), Flat Washers (EE), and Lock Washers (FF). Loosely tighten the Bolts using the Allen Key (GG).



## 4 Attaching the Support Assembly to the Chair Seat (A) and the Leg Frame (B)

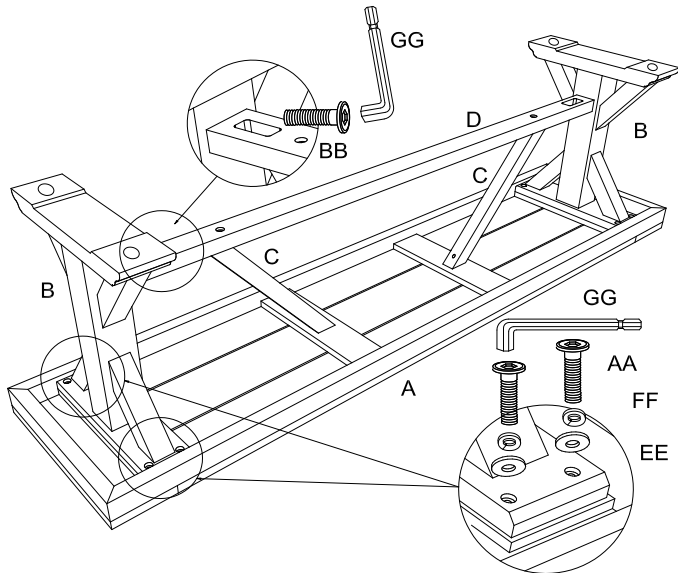
- Attach the Support Assembly to the Chair Seat (A) and the Leg Frame (B) using a M6x50 Bolt (BB) and M6x35 Screws (CC). Loosely tighten the Bolt and Screws with the Allen Key (GG).



## Assembly (continued)

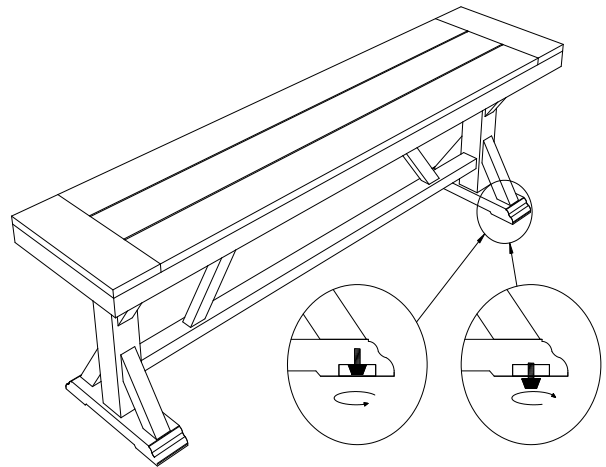
### 5 Attaching the Leg Frame (B) to the Chair Assembly

- Attach the Leg Frame (B) to the Chair Assembly using a M6x50 Bolt (BB), M6x30 Bolts (AA), Flat Washers (EE), and Lock Washers (FF). Fully tighten the Bolts using the Allen Key (GG).



### 6 Checking the Chair

- Fully tighten all the hardware.
- Use levelers to adjust the height to achieve stability only after the unit is moved into the desired location. DO NOT drag the unit as this may damage the levelers.



# Maintenance

Wood is a living material that continues to respond to climate conditions even after being made into a piece of furniture.

After assembly rub the furniture with a soft rag to remove any residual dust. Wood is a natural material whose appearance will change when left outdoors. This product has been treated prior to leaving the factory. To clean, use mild soap and warm water. Do not use abrasive material, cleansers or bleach products. Dry thoroughly with a soft cloth.

Even though this piece of furniture is extremely durable and long-lasting, to prolong life we recommend bringing it indoors during freezing temperatures. Place it in a shaded area and do not leave it in standing water or on wet ground.

Do not put hot items directly on the furniture surface.

Do not store furniture in areas that have central heating or cooling vents to prevent excessive drying of the wood. This will decrease the furniture's longevity.

Do not write on furniture without a padded barrier to protect the surface.

In order to maintain the product's durability, please read carefully.

Cover your furniture during winter months or move into covered storage, if in wet climates.

The manufacturer supports protection of the world's forest resources and is diligent in sourcing legally harvested wood.

Thank you

The manufacturer



# HAMPTON BAY®

Questions, problems, missing parts? Before returning to the store,  
call Hampton Bay Customer Service  
8 a.m. – 7 p.m., EST, Monday – Friday, 9 a.m. – 6 p.m., EST, Saturday

**1-855-HD-HAMPTON**

**HAMPTONBAY.COM**

Retain this manual for future use.

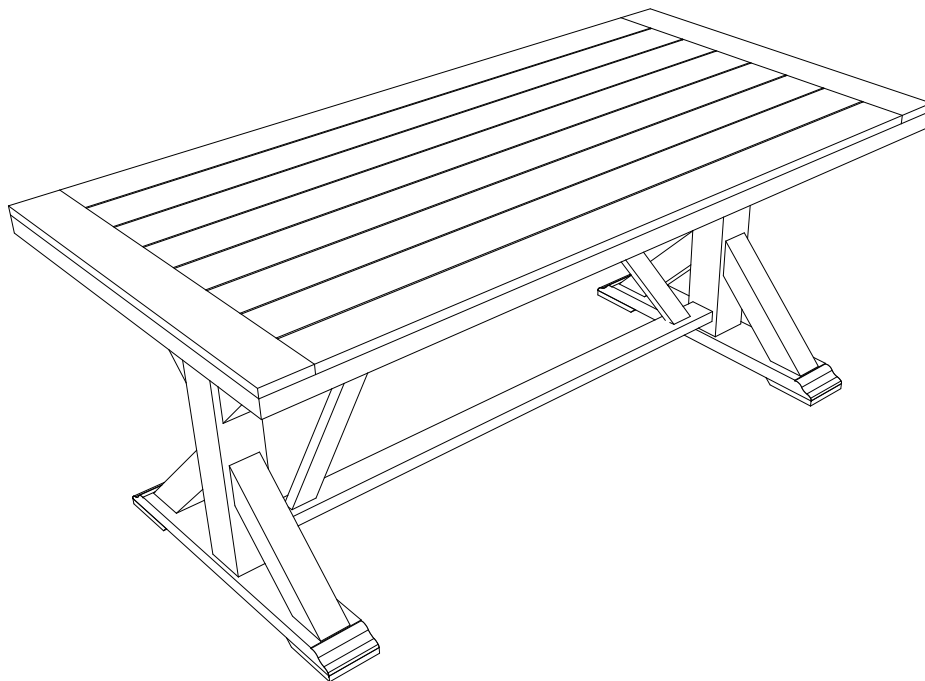
Item #SKU#  
Model #T135-21V0

# HAMPTON BAY<sup>®</sup>

## USE AND CARE GUIDE

---

### SILVER OAKS FARMHOUSE WOOD DINING WITH PICNIC BENCHES - TABLE BOX 1



Questions, problems, missing parts? Before returning to the store,  
call Hampton Bay Customer Service  
8 a.m. – 7 p.m., EST, Monday – Friday, 9 a.m. – 6 p.m., EST, Saturday

**1-855-HD-HAMPTON**

**HAMPTONBAY.COM**

---

#### **THANK YOU**

*We appreciate the trust and confidence you have placed in Hampton Bay through the purchase of this table. We strive to continually create quality products designed to enhance your home. Visit us online to see our full line of products available for your home improvement needs. Thank you for choosing Hampton Bay!*

# Table of Contents

Table of Contents .....	2	Table Package Contents.....	5
Safety Information.....	2	Assembly .....	6
Pre-Assembly .....	4	Assembly (continued).....	7
Planning Assembly.....	4	Maintenance.....	8
Hardware Included .....	4		

## Safety Information

### SAVE THESE INSTRUCTIONS



**WARNING:** Do not use the table before all the bolts are fully tightened. If the bolts are not fully tightened, the table section can become loose and may cause the table to collapse which may result in injury or damage.



**WARNING:** When not in use, secure the product in a cool and covered location.

### READ ALL INSTRUCTIONS BEFORE USE

To reduce the risk of injury to persons:

1. Close supervision is necessary when this furnishing is used by or near children, or disabled persons, if applicable.
2. Use this furnishing only for its intended use as described in these instructions. Do not use attachments not recommended by the manufacturer.
3. Use only vendor-supplied hardware to assemble this item. Using unauthorized hardware could jeopardize the structural integrity of the item.
4. Hardware may loosen overtime. Periodically check that all connections are tight.

# Warranty

---

## WHAT IS COVERED

The furniture is warranted to be free from defects in material and workmanship of the original product when purchased from one of our authorized dealers. If a product fails and is under the terms of our limited warranty, the item will be replaced, usually for a small fee. In the case of discontinued models, an item of similar quality and style will be offered to the customer.

### 1 Year Limited Frame Warranty

**Frames** are warranted to be free from defects in material and workmanship. Fading or discoloring caused by putting the product under sunlight or rain is not covered by this limited warranty. Damage to the frame due to improper assembly or exposure to water and subfreezing temperatures is not covered. Do NOT allow water to accumulate inside the frame.

**The finish** is warranted against peeling, cracking, or blistering for a period of 1 year, provided the unit has not been scratched or abraded. Scratches and chips resulting from normal wear and use are not covered. Peeling resulting from exposure to elements is not covered.

## WHAT IS NOT COVERED

Furniture used for commercial, contractor or any non-residential purposes, clearance items, display models or items purchased "as is", freight damage, furniture damaged by acts of nature, vandalism, fire, abuse, lack of proper care and maintenance, or improper assembly, straps and fabric against fading or discoloration from exposure to elements, oil spills, fluids or chemicals; glass against breakage; hardware against corrosion or rusting; buckling or splitting of tubing resulting from exposure to water and freezing temperatures.

Also Excluded: Loss of use or time, inconvenience, money, travel, packaging or any other consequential or incidental damages. In no event shall the manufacturer's responsibility exceed the value of the replacement product.

Warranty is to the original purchaser when items are purchased from one of our authorized retailers and is not transferable. All warranty claims must be submitted with a dated register receipt within the warranty period. Should replacement of the warranty item be unavailable, the manufacturer reserves the right to substitute items of our choice that are of similar style and quality. For quality control purposes and verification, we reserve the right to request photography of the damaged item(s). The terms of this warranty are subject to change without notice.

Contact the Customer Service Team at 1-855-HD-HAMPTON or visit [www. Hamptonbay.com](http://www.Hamptonbay.com).

# Pre-Assembly

## PLANNING ASSEMBLY

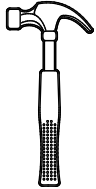
Assemble your unit in an area free from any objects that might scratch the surface of your unit.

Examine all packing material before discarding as shortages may occur from parts left in the packing material.

Please read the instructions carefully, and verify all parts are included.

All bolts need to be tightened from time to time to avoid damage.

## TOOLS REQUIRED



Claw  
hammer

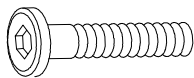


Safety  
goggles

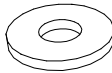
## HARDWARE INCLUDED



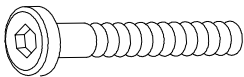
**NOTE:** Hardware not shown to actual size.



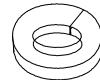
AA



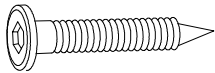
EE



BB



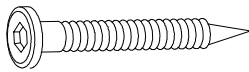
FF



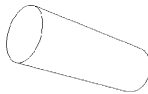
CC



GG



DD

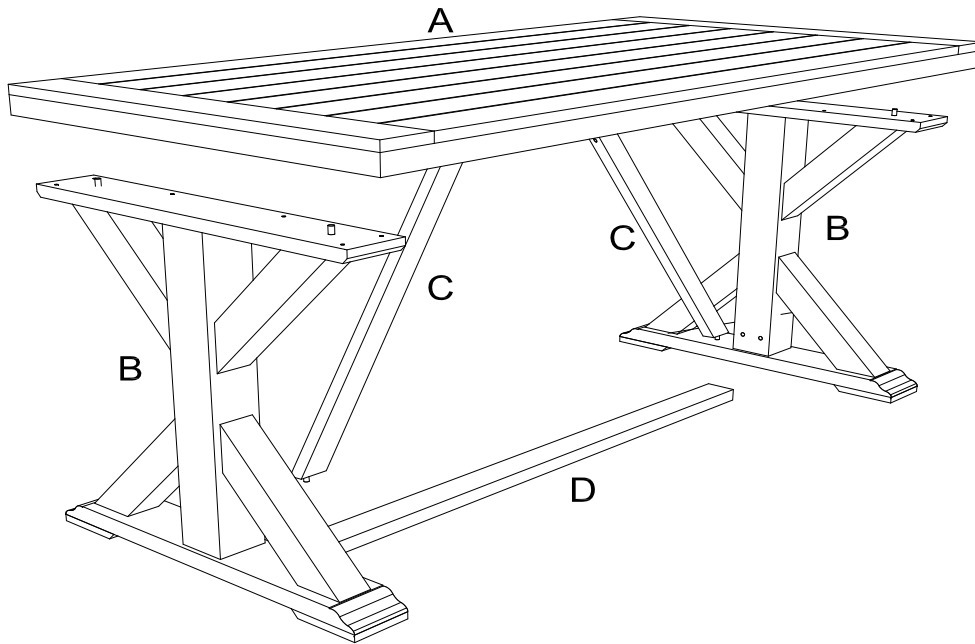


HH

Part	Description	Quantity
AA	M6 x 35 Bolts	12+1
BB	M6 x 45 Bolts	2+1
CC	M6 x 40 Screw	2+1
DD	M6 x 60 Screw	2+1
EE	Flat Washer	12+1
FF	Lock Washer	12+1
GG	Allen Key	1
HH	Wooden pegs	4+1

# Pre-Assembly (continued)

## TABLE PACKAGE CONTENTS

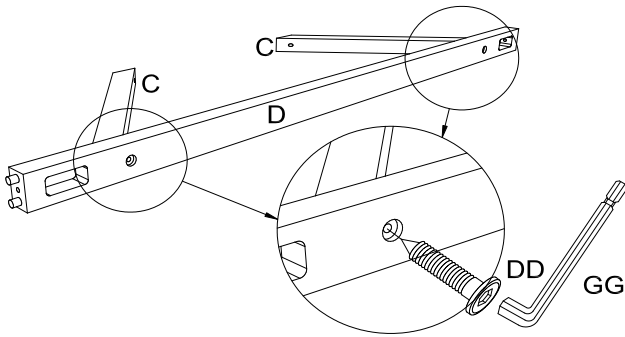


Part	Description	Quantity
A	Table Top	1
B	Leg Frame	2
C	Support	2
D	Stretcher	1

# Assembly

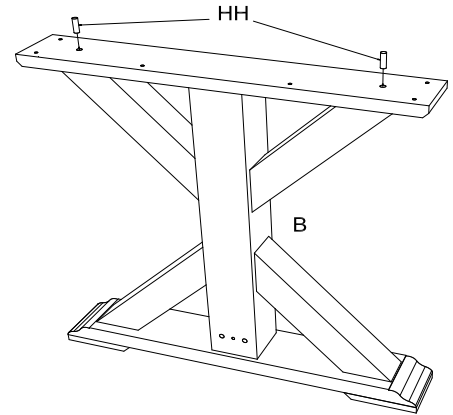
## 1 Connecting the Support (C) to the Stretcher (D)

- Connect the Support (C) to the Stretcher (D) on a soft surface using Screws (DD). Fully tighten the Screws using the Allen Key (GG).



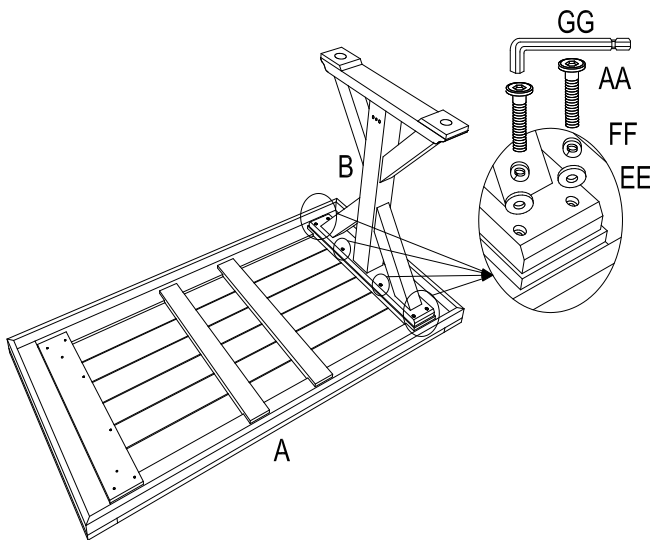
## 2 Connecting Leg Frame (B) to the Wooden Pegs (HH)

- Connect the Leg Frame (B) to the Wooden Pegs (HH) using a Claw Hammer.



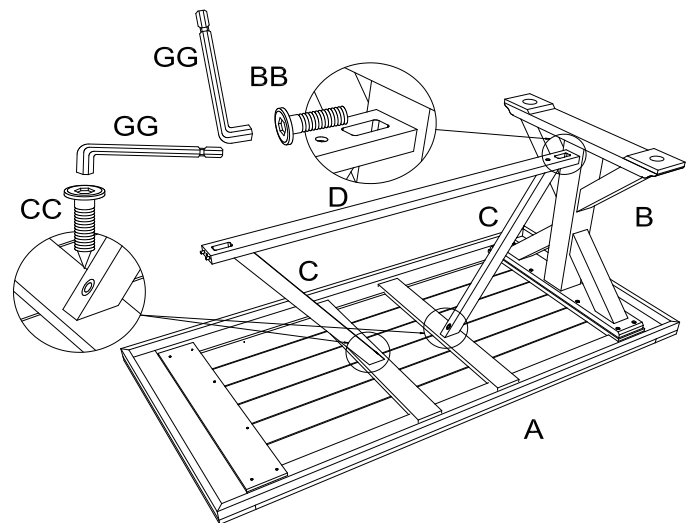
## 3 Connecting the Table Top (A) to the Leg Frame (B)

- Place the Table Top (A) on a soft surface.
- Attach the Leg Frame (B) to the Table Top (A) using M6x35 Bolts (AA), Flat Washers (EE), and Lock Washers (FF). Loosely tighten the bolts using the Allen Key (GG).



## 4 Attaching the Support Assembly to the Table Top (A) and the Leg Frame (B)

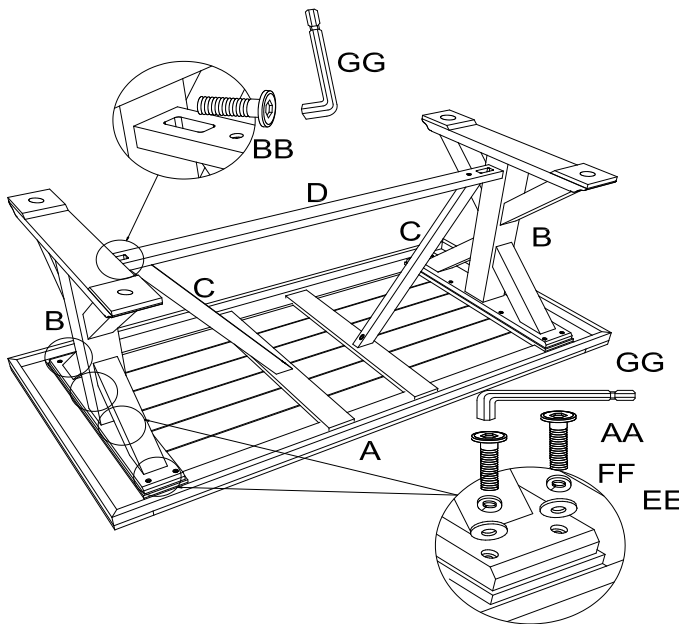
- Attach the Support Assembly from step 1 to the Table Top (A) and the Leg Frame (B) using a M6x45 Bolt (BB) and M6x40 Screws (CC). Loosely tighten the Bolt and Screws using the Allen Key (GG).



## Assembly (continued)

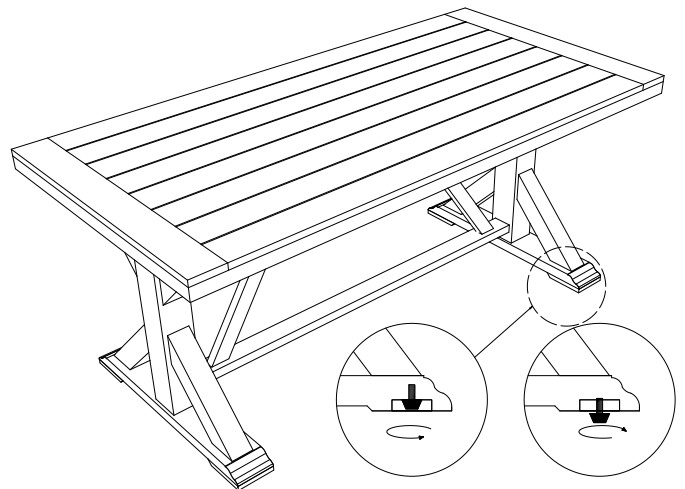
### 5 Attaching the Leg Frame (B) to the Table Assembly

- Attach the Leg Frame (B) to the Table Assembly using a M6x45 Bolt (BB), M6x35 Bolts (AA), Flat Washers (EE), and Lock Washers (FF). Fully tighten the Bolts using the Allen Key (GG).



### 6 Checking the Table

- Fully tighten all the hardware.
- Use levelers to adjust the height to achieve stability only after the unit is moved to the desired location. DO NOT drag the unit as this may damage the levelers.





# Maintenance

Wood is a living material that continues to respond to climate conditions even after being made into a piece of furniture.

After assembly rub the furniture with a soft rag to remove any residual dust. Wood is a natural material whose appearance will change when left outdoors. This product has been treated prior to leaving the factory. To clean, use mild soap and warm water. Do not use abrasive material, cleansers or bleach products. Dry thoroughly with a soft cloth.

Even though this piece of furniture is extremely durable and long-lasting, to prolong life we recommend bringing it indoors during freezing temperatures. Place it in a shaded area and do not leave it in standing water or on wet ground.

Do not put hot items directly on the furniture surface.

Do not store furniture in areas that have central heating or cooling vents to prevent excessive drying of the wood. This will decrease the furniture's longevity.

Do not write on furniture without a padded barrier to protect the surface.

In order to maintain the product's durability, please read carefully.

Cover your furniture during winter months or move into covered storage, if in wet climates.

The manufacturer supports protection of the world's forest resources and is diligent in sourcing legally harvested wood. Thank you

The manufacturer

# HAMPTON BAY®

Questions, problems, missing parts? Before returning to the store,  
call Hampton Bay Customer Service  
8 a.m. – 7 p.m., EST, Monday – Friday, 9 a.m. – 6 p.m., EST, Saturday

**1-855-HD-HAMPTON**

**HAMPTONBAY.COM**

Retain this manual for future use.