

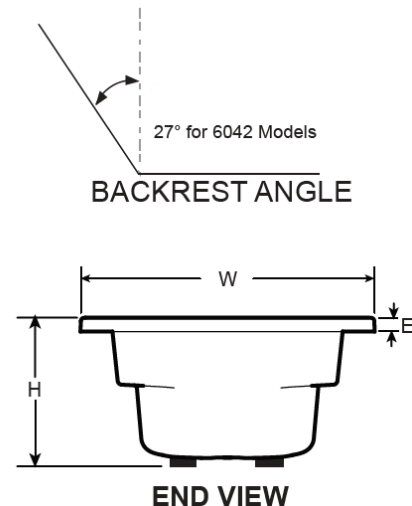
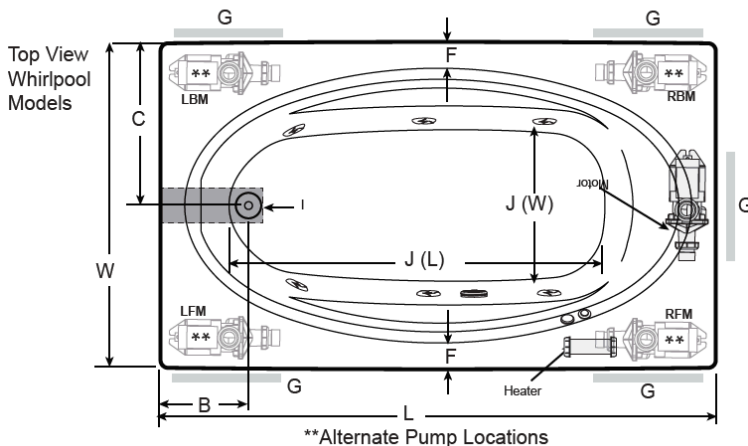
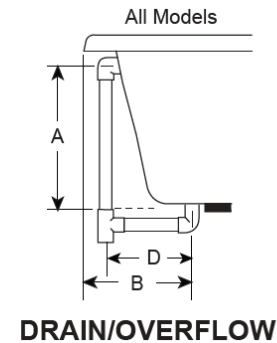
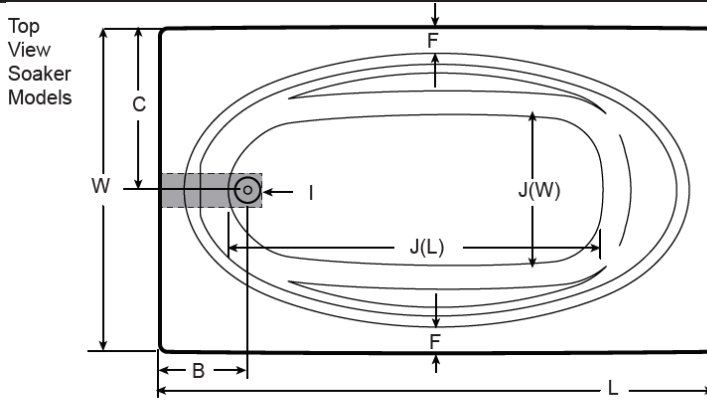


Projecta™ 6042 Oval in Rectangle Drop-In Whirlpool Bathtub

Letter	Description	Whirlpool Models R4D6042W
-	Drain/Motor Location	LH / RH Drain & Right or Left Side Motor
-	Cutout	58" x 40" (1473 mm x 1016 mm)
-	Total Weight	879 lbs (399 kg)
-	Floor Loading	50.2 lb/ft ² (245 kg/m ²)
-	Operating Gallons (Max)	66 gallons (250 liters)
-	Product Weight	79 lbs (36 kg)
-	Soaking Depth	15" (381 mm)
L	Outer Length	60" (1524 mm)
W	Outer Width	42" (1067 mm)
H	Overall Height	21" (533 mm)
A	Overflow Height	16.25" (413 mm)
B	Long Edge to Drain Center	10.40" (264 mm)
C	Short Edge to Drain Center	21" (533 mm)
D	Drain Shoe Length	8.40" (213 mm)
E	Deck/Flange Height	2" (51 mm)
F	Deck Width	3" (76 mm)
G	Service Access Dimensions	12" x 18" (305 mm x 457 mm)
I	Floor Cutout for Drain	12" x 4" (305 mm x 102 mm)
J	Interior Dimensions (bottom of bath) J(L) x J(W)	42" x 24" (1067 mm x 610 mm)

WHIRLPOOL 6042 MODEL	
Each component requires a separate, dedicated GFCI protected circuit	
Model with components	GFCI Outlet (60Hz)
Motor/Pump	120V 15A
Heater (if available)	120V 15A

KEY DIMENSIONS* [NOTE: The overall dimensions are nominal with a tolerance of +0 and -.25" (6mm).]



NOTE: Drawings not to scale.

©2019 Jacuzzi Luxury Bath • For additional information, call Customer Service 800-288-4002 • www.jacuzzi.com/baths
Refer to installation instructions included with fixture before beginning installation. Please confirm product availability and specifications before commencing with any installation work.

PRODUCT SPECIFICATIONS AND AVAILABILITY ARE SUBJECT TO CHANGE WITHOUT NOTICE