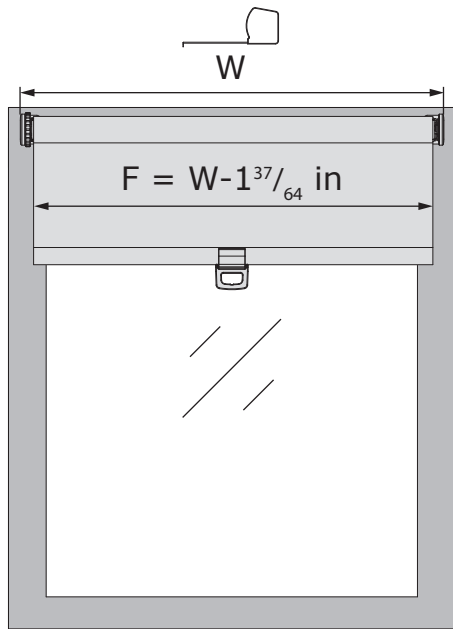
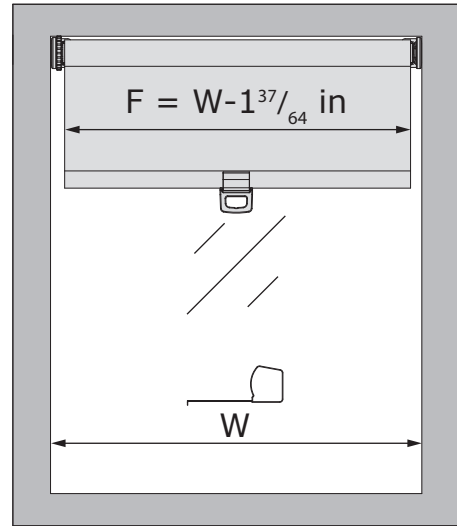


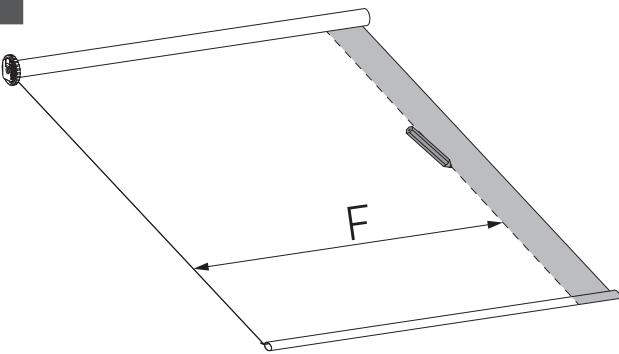
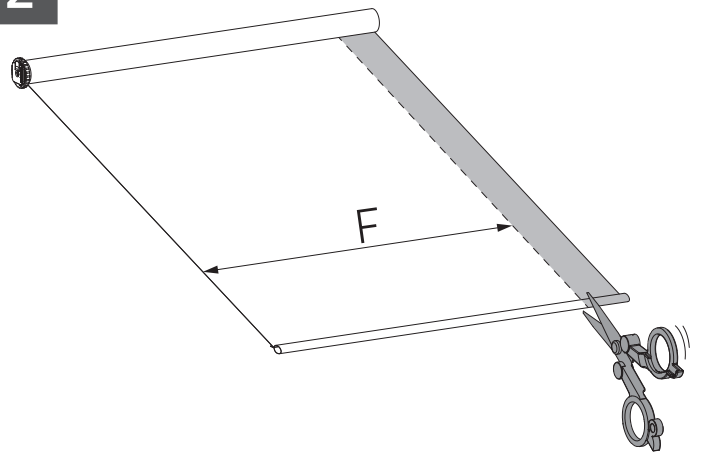
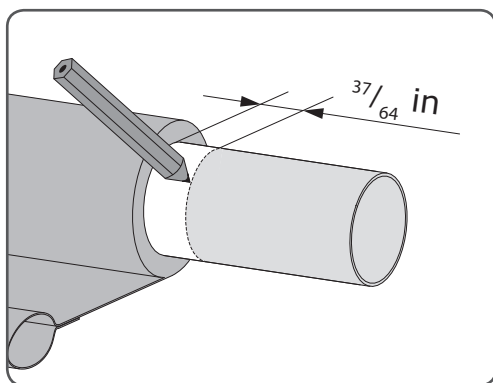
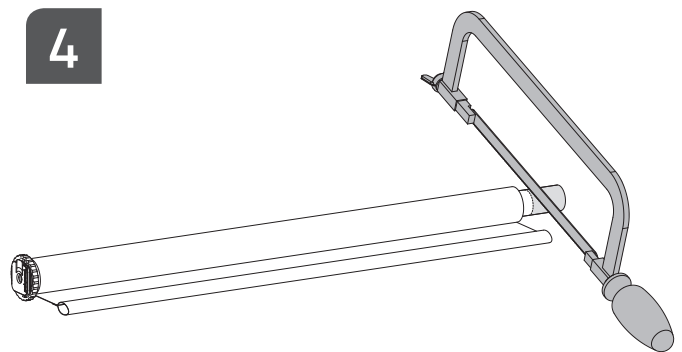
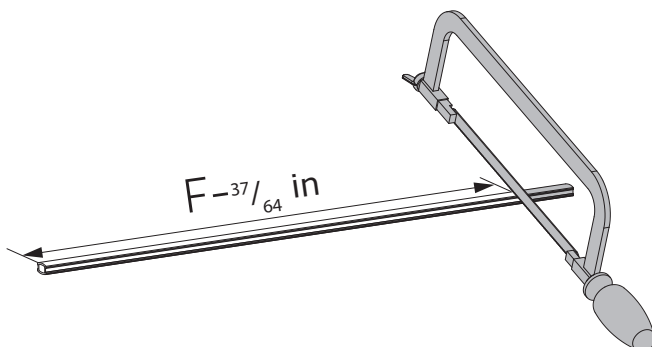
MN160079_20161220

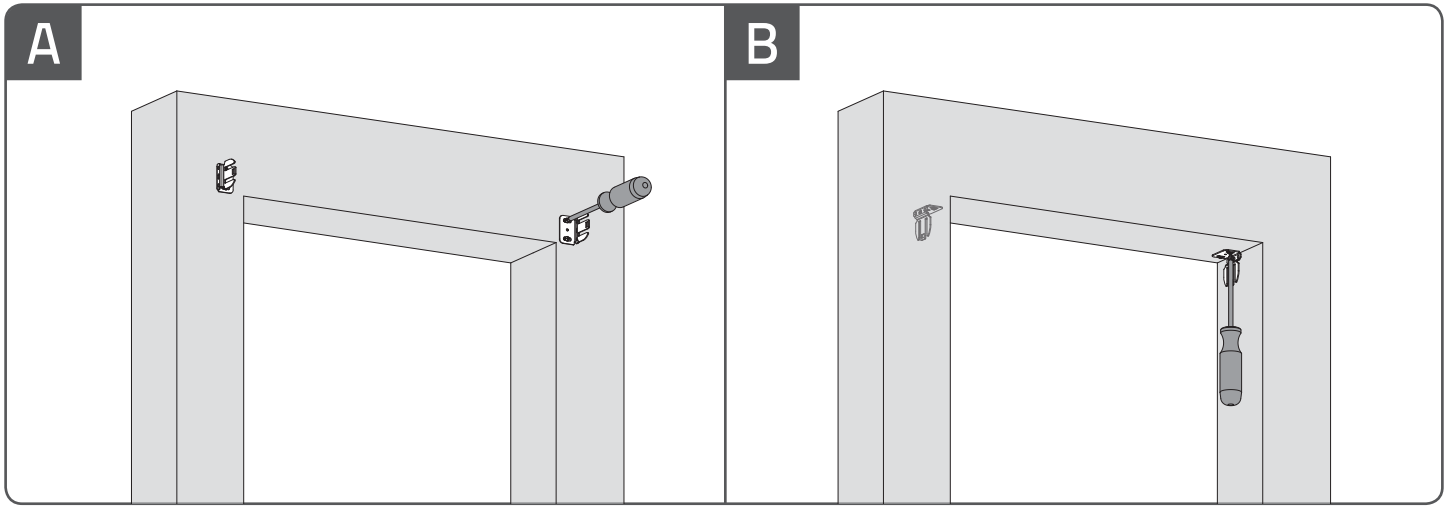
A

Min. $W = 27''$
 (Size 23" & 27" can not be shortened)

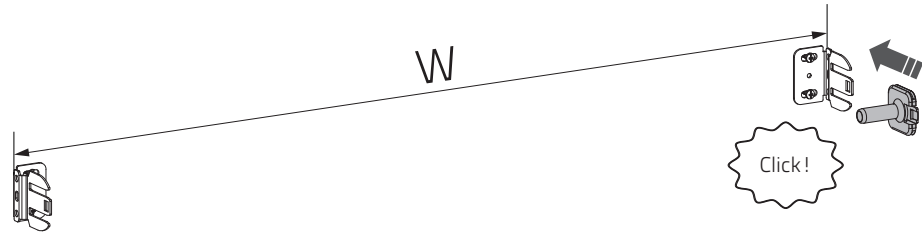
B

Min. $W = 27''$
 (Size 23" & 27" can not be shortened)

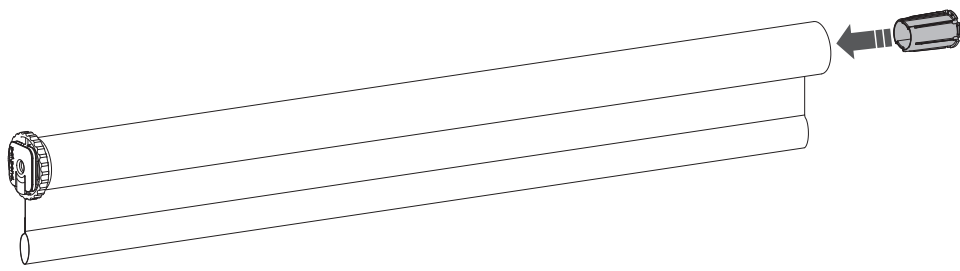
1**2****3****4****5**



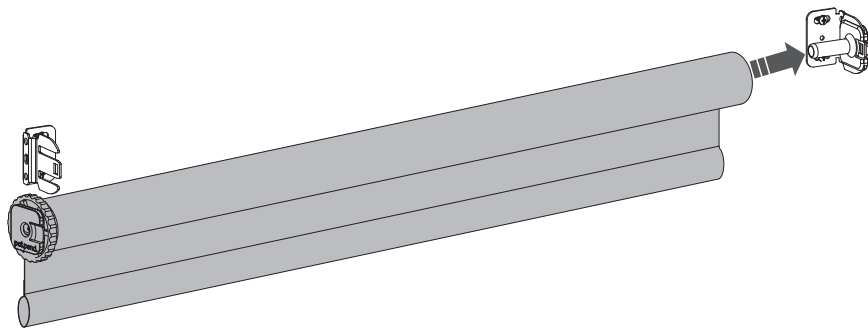
1



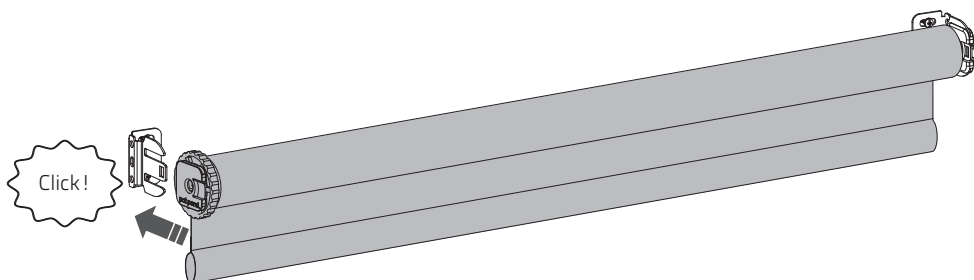
2



3

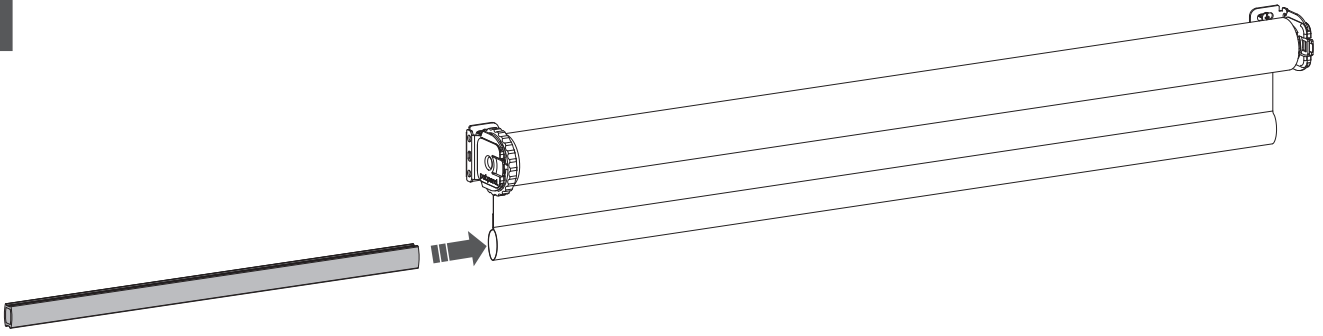


4

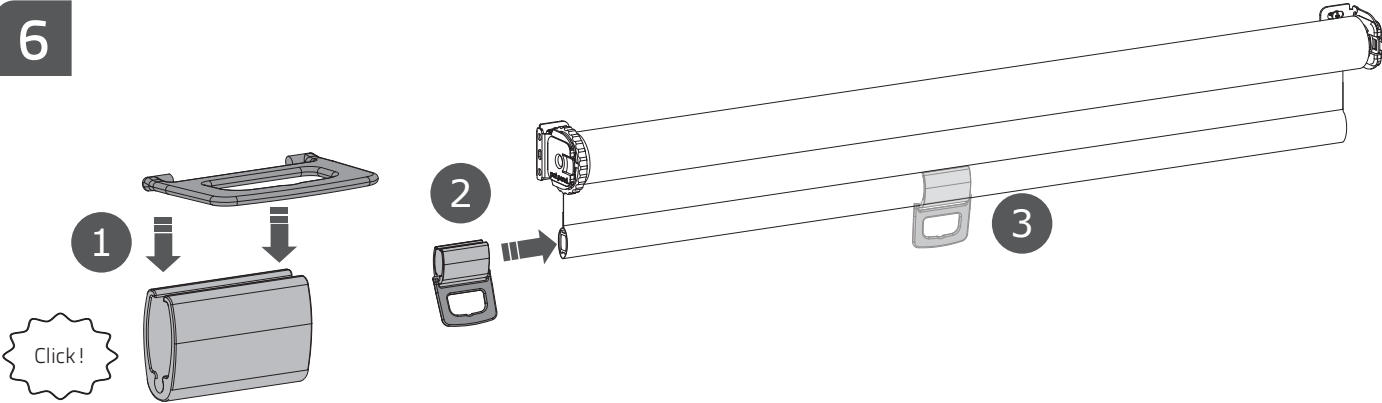


MN160079_20161220

5

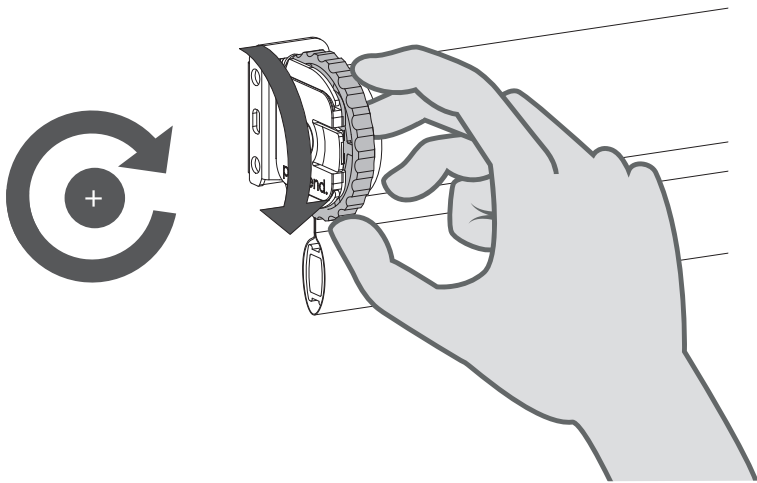


6

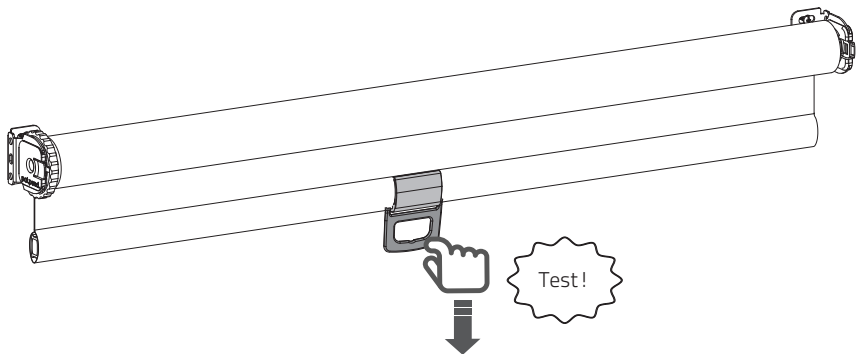


7 Add lifting force

System Size	Full Rotations
23 in.	1-3
27 in.	5-7
29 in.	6-8
31 in.	6-8
34 in.	6-8
35 in.	7-9
36 in.	7-9
48 in.	4-7
72 in.	6-9

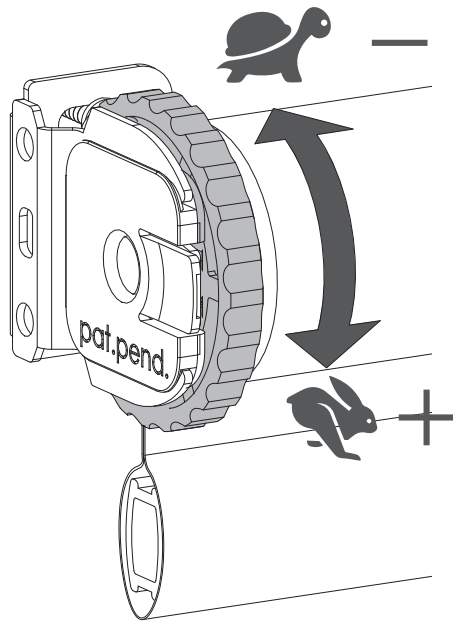


8



MN160079_20161220

9



10

