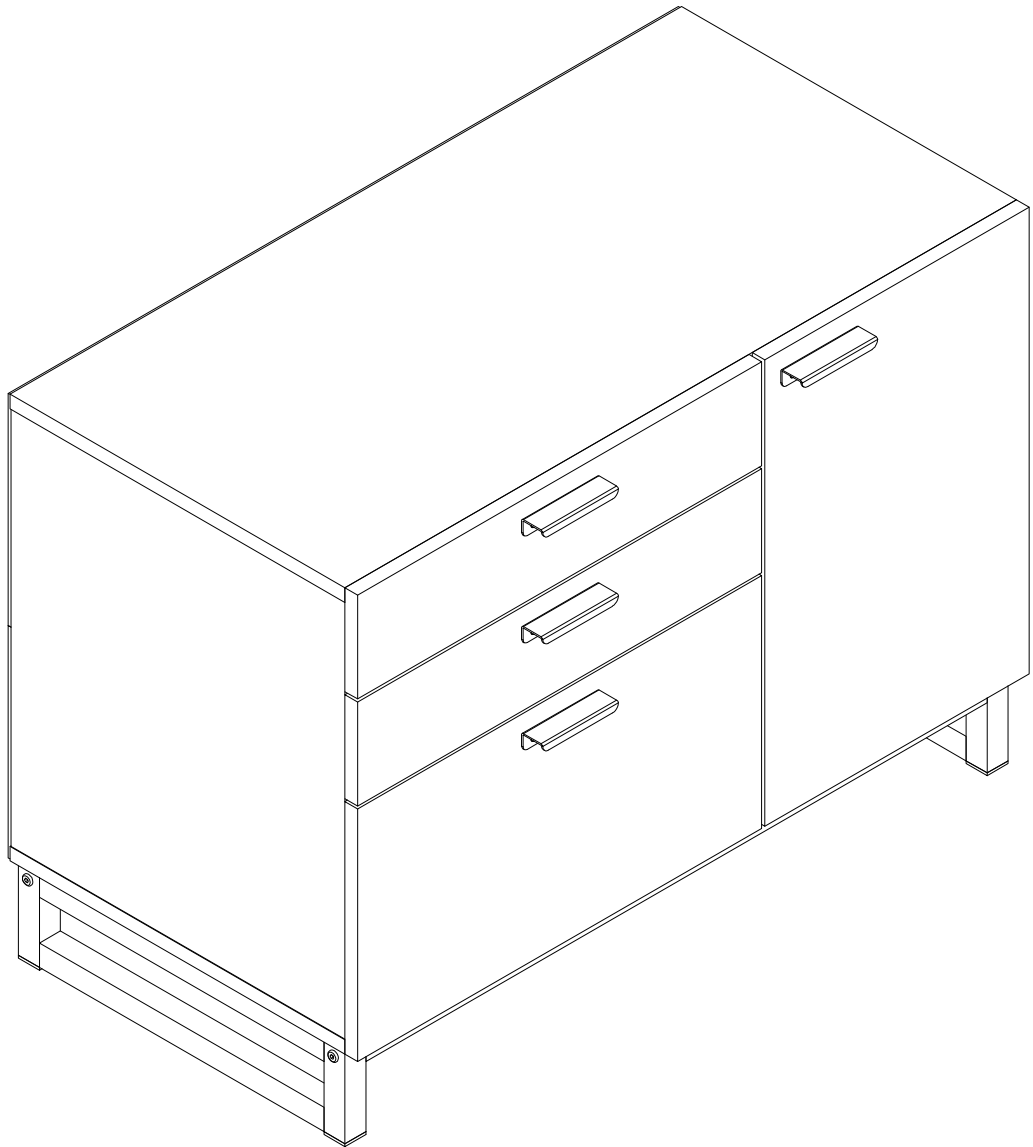
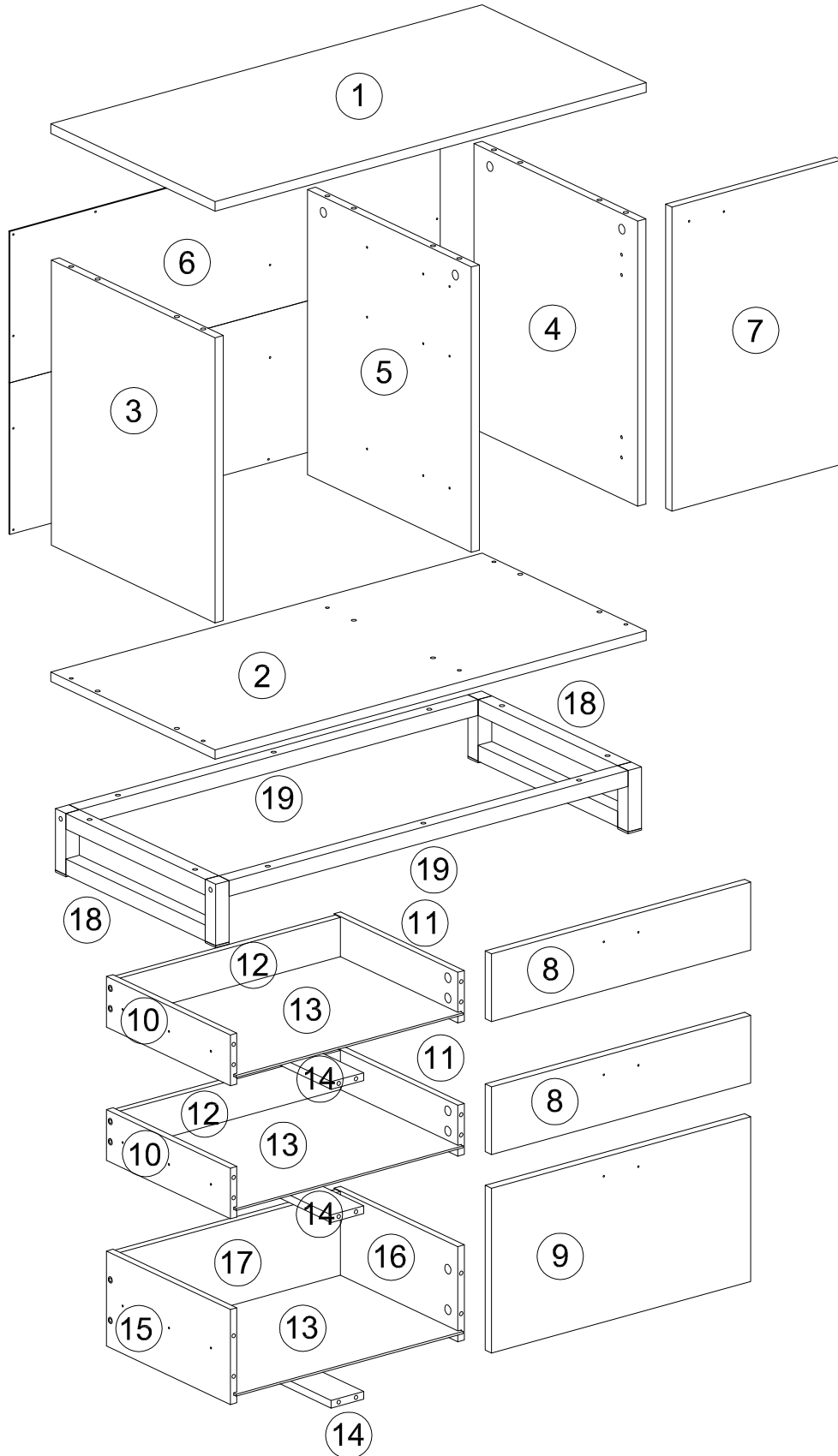


TVS06



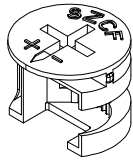
Part Identification



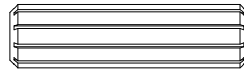
Hardware Identification



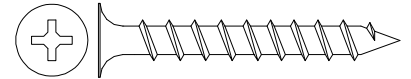
6x
A
CAM
SCREW



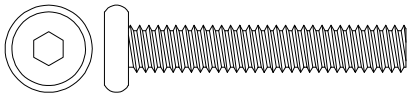
6x
B
HIDDEN
CAM



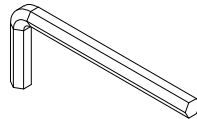
12x
C
WOOD
DOWEL
8X30mm



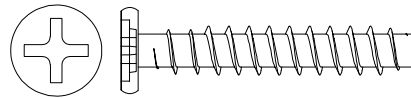
6x
D
#10*1-3/4 "
FLAT
HEAD SCREW



8x
E
M6x30mm
FLAT
MACHINE SCREW



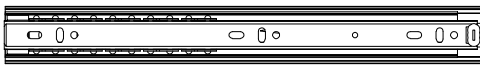
1x
F



6x
G
M6x30mm
FLAT
HEAD SCREW



36x
H
#6*1/2 "



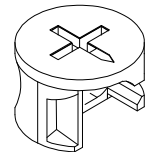
6x
I
12 "



18x
J
#7*1/2 "



18x
K
CAM
SCREW



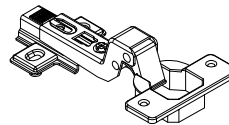
18x
L
HIDDEN
CAM



8x
M
#8*1/2 "
FLAT
HEAD SCREW



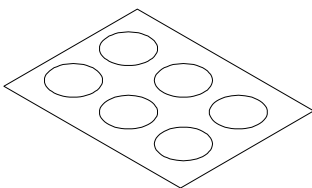
4x
N



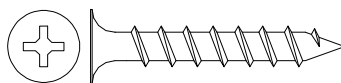
2x
O



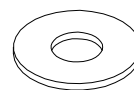
8x
P
#6.5x12mm
Screws



5x
Q
APPLIQUE CARD



18x
R
#10*1"
FLAT
HEAD SCREW



14x
S
FLAT WASHER

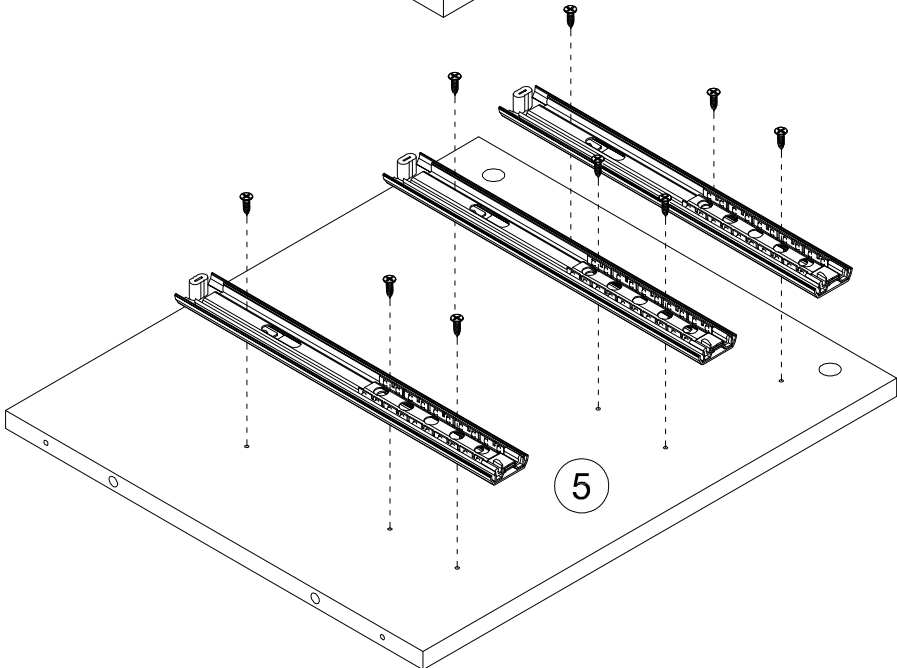
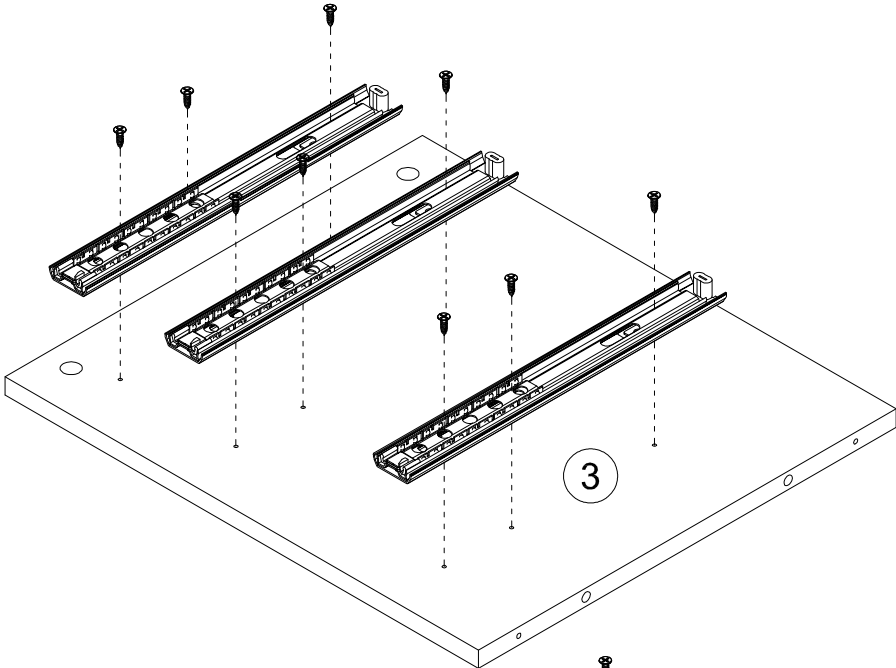
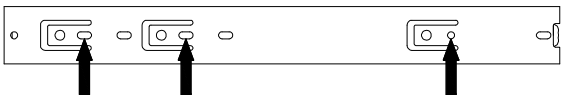
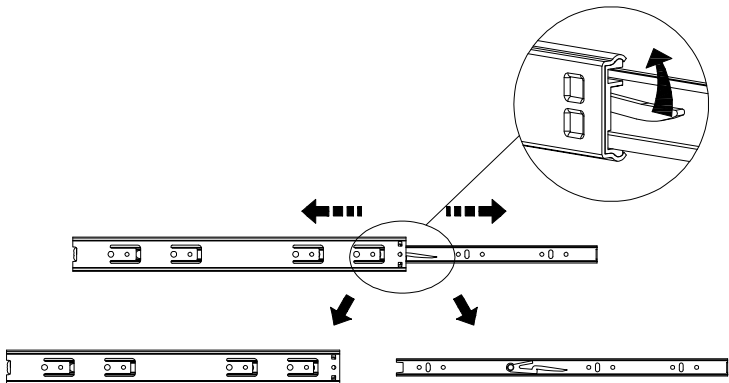
STEP 1



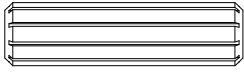
18x
H
#6*1/2"



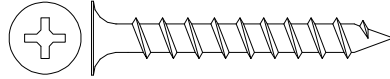
6x
|
12"



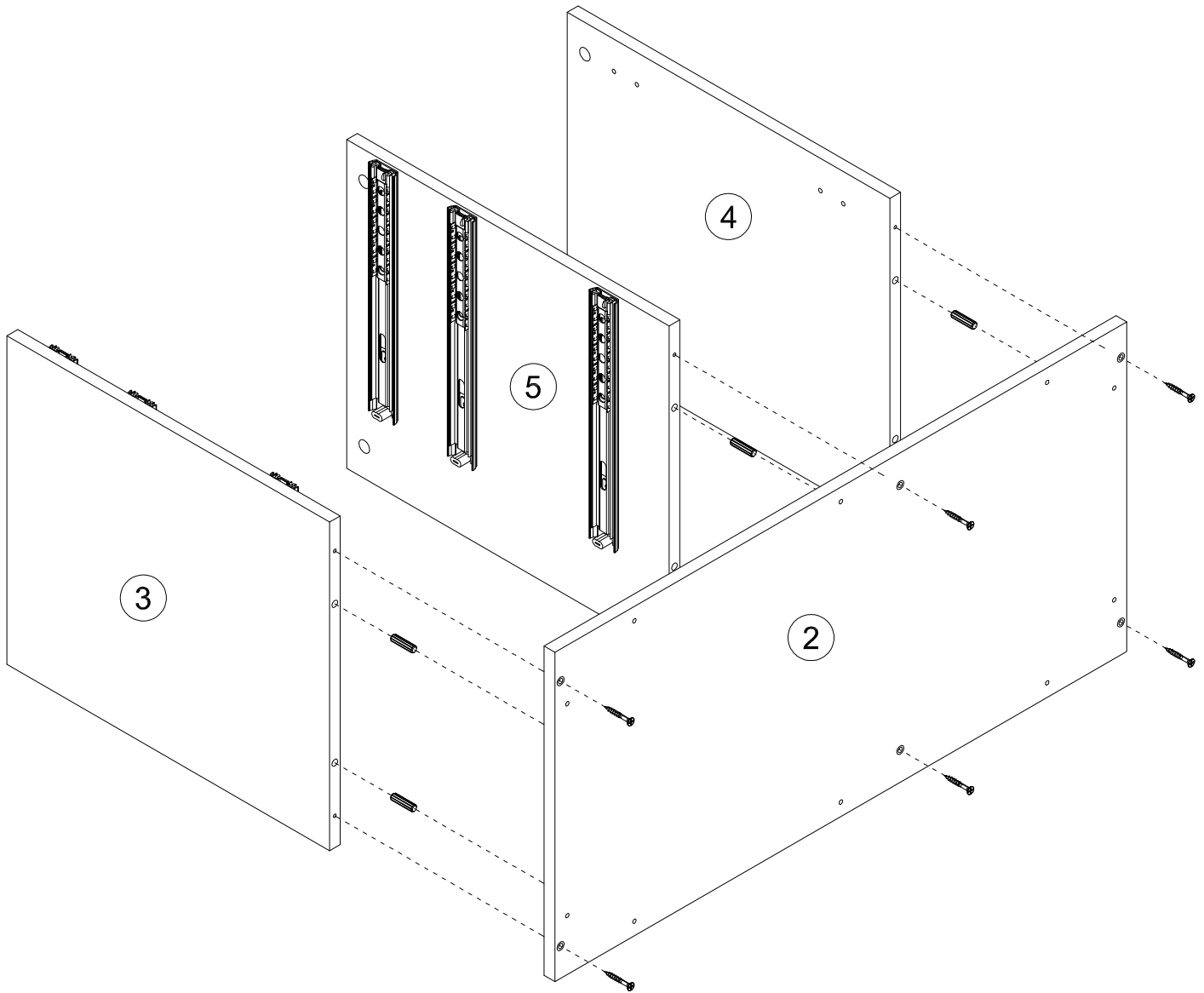
STEP 2



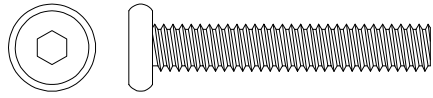
6x
C
WOOD
DOWEL
8X30mm



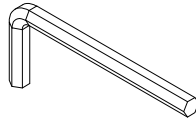
6x
D
#10*1-3/4 "
FLAT
HEAD SCREW



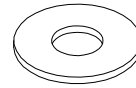
STEP 3



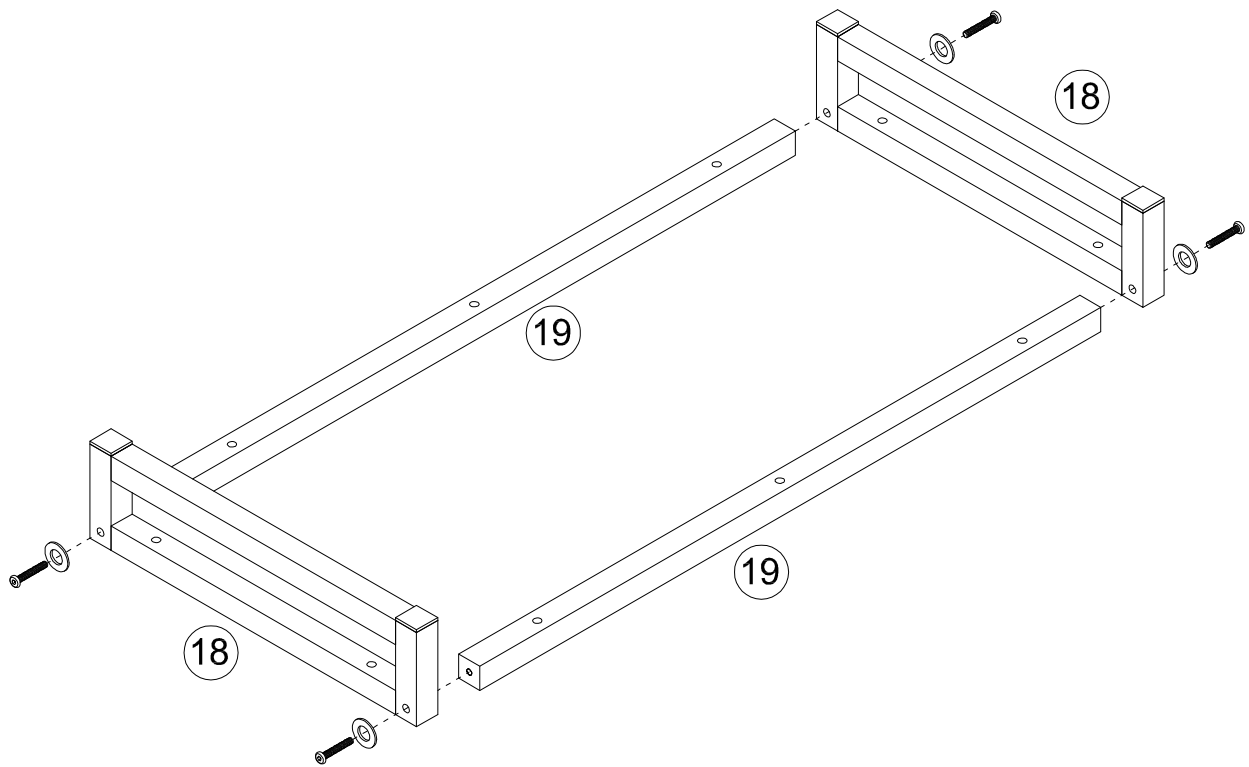
4x
E
M6x30mm
FLAT
MACHINE SCREW



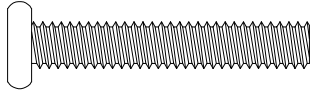
1x
F



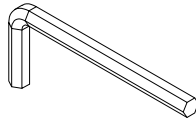
4x
S
FLAT WASHER



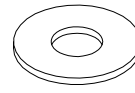
STEP 4



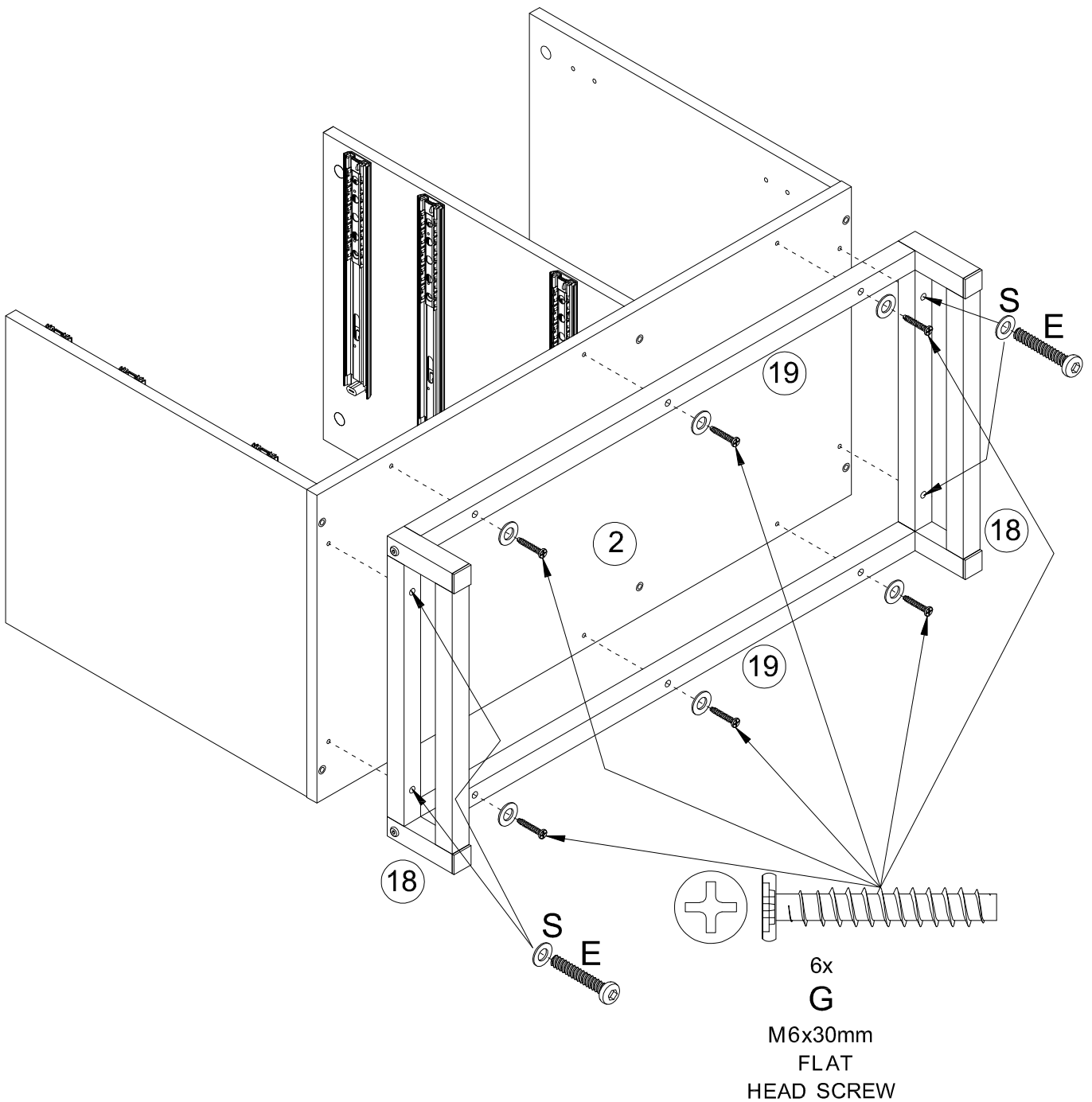
4x
E
M6x30mm
FLAT
MACHINE SCREW



1x
F



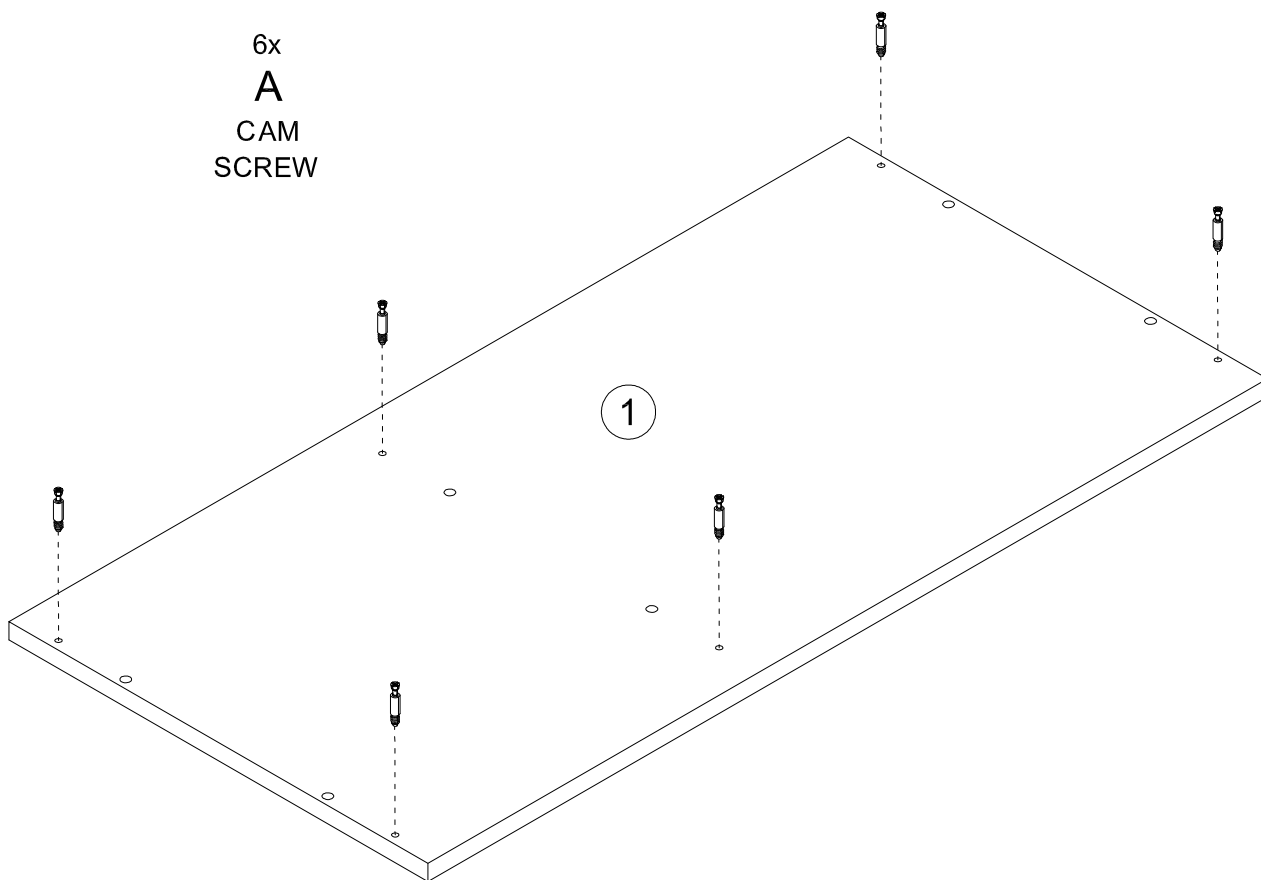
10x
S
FLAT WASHER



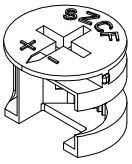
STEP 5



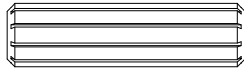
6x
A
CAM
SCREW



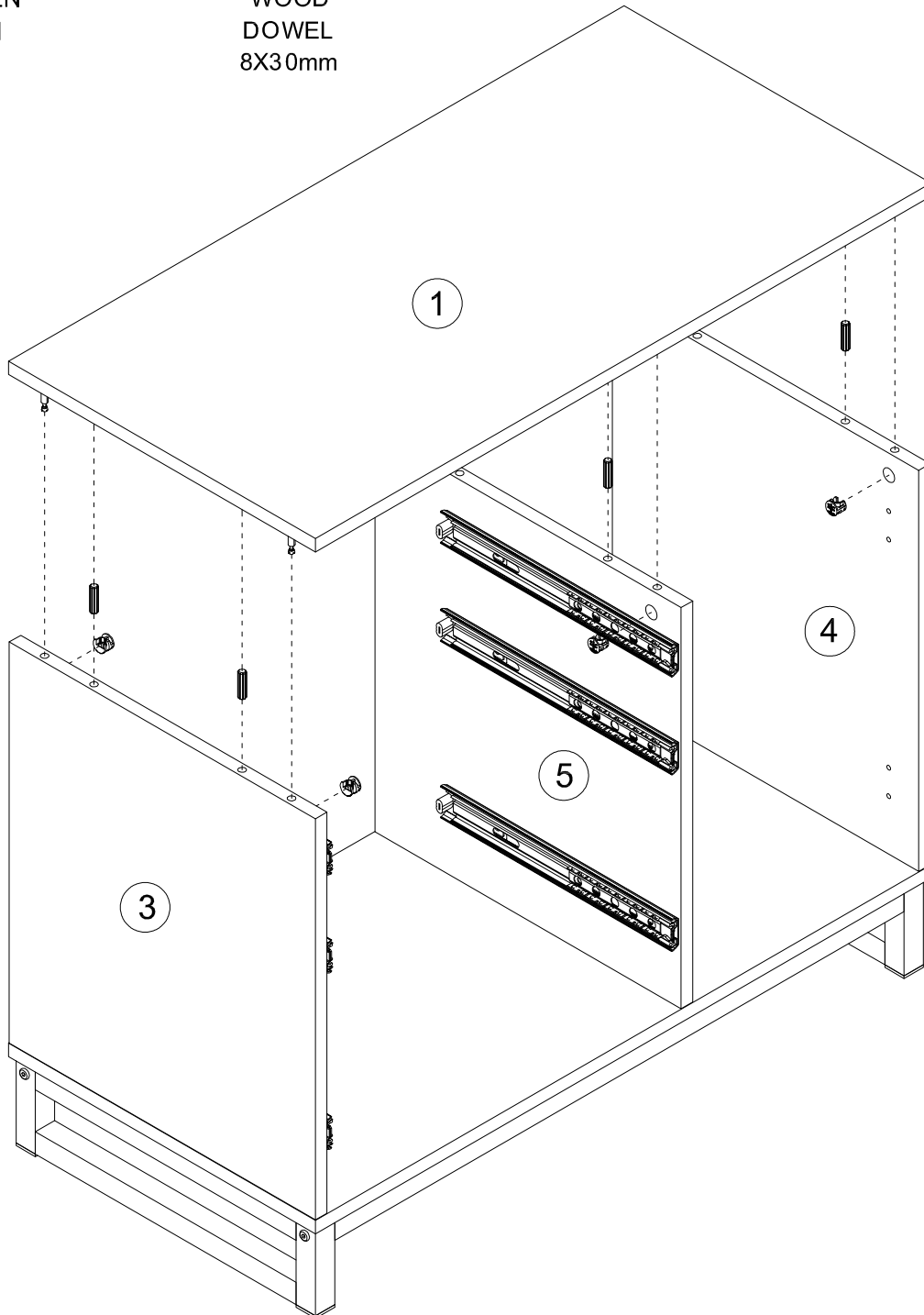
STEP 6



6x
B
HIDDEN
CAM



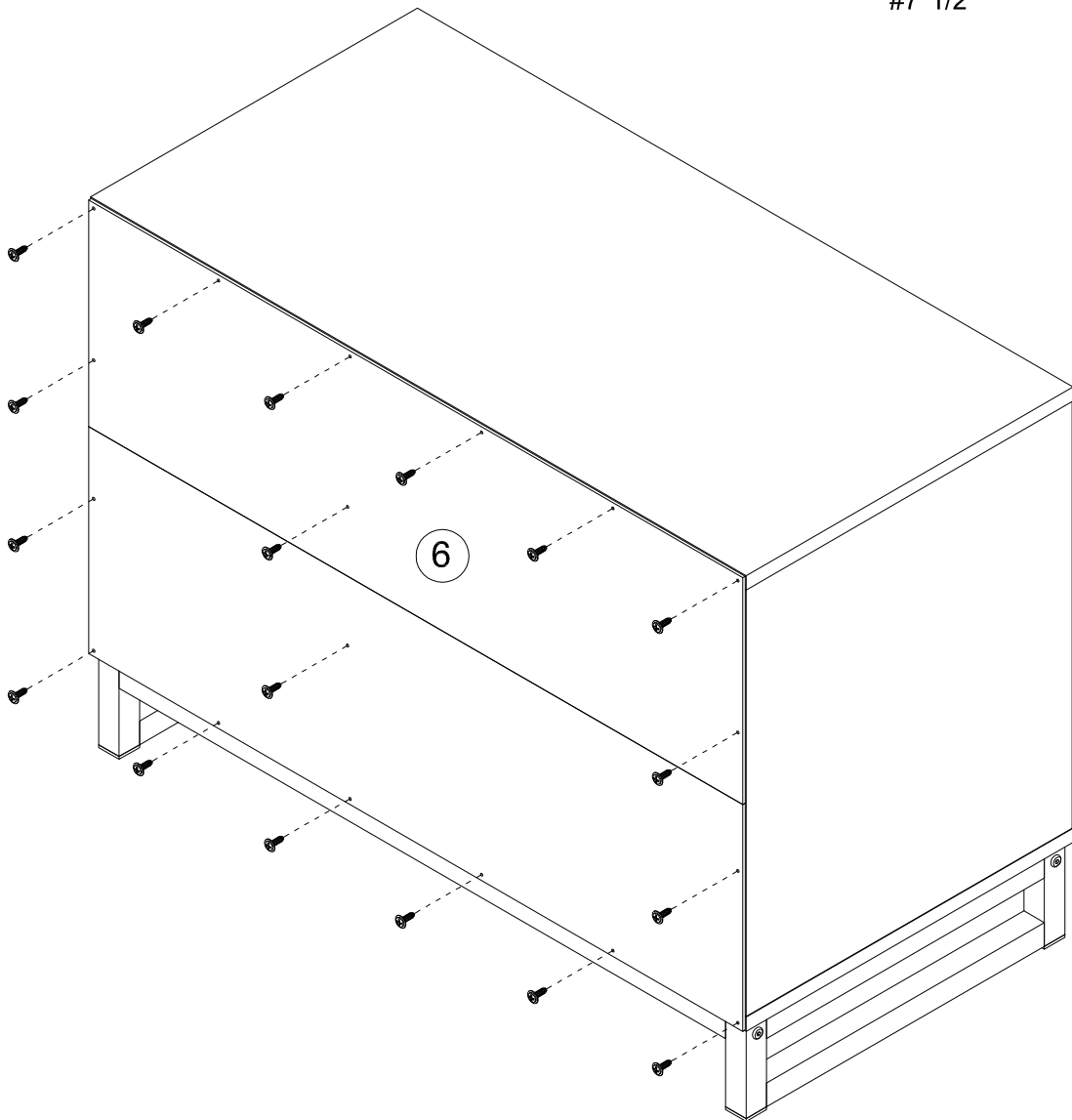
6x
C
WOOD
DOWEL
8X30mm



STEP 7



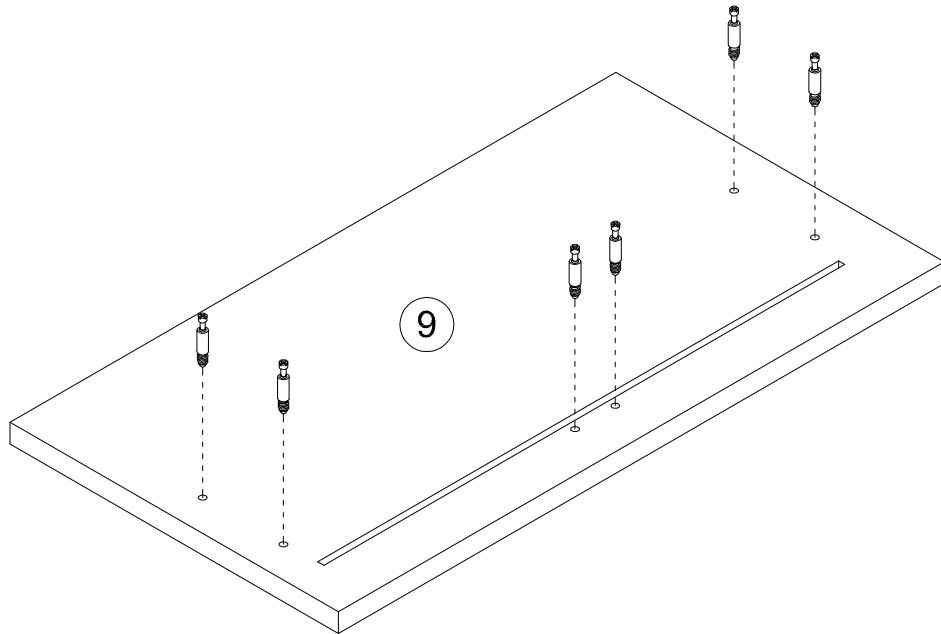
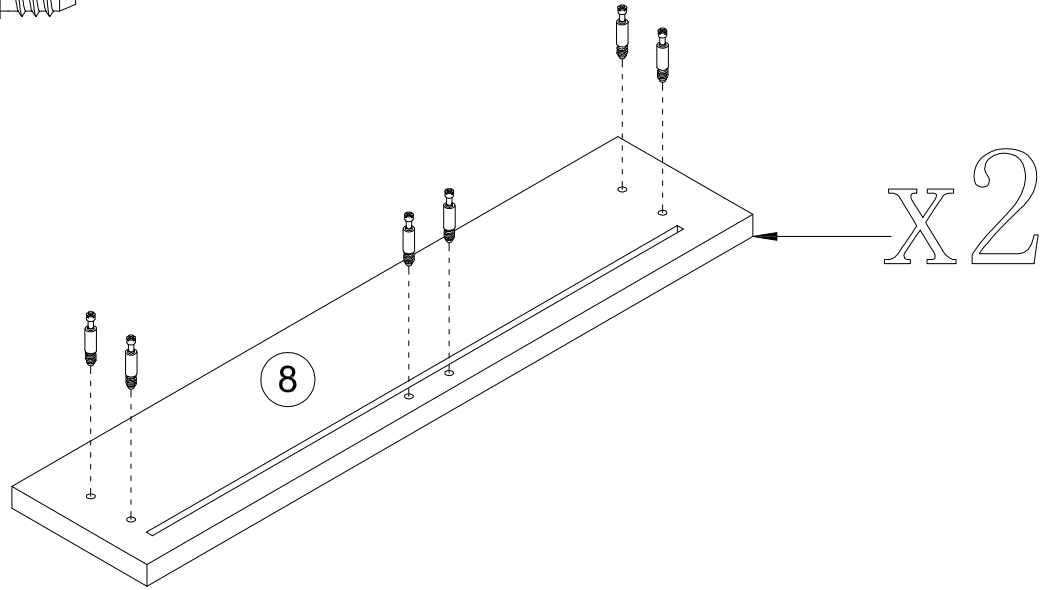
18x
J
#7*1/2"



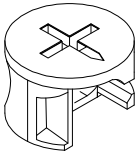
STEP 8



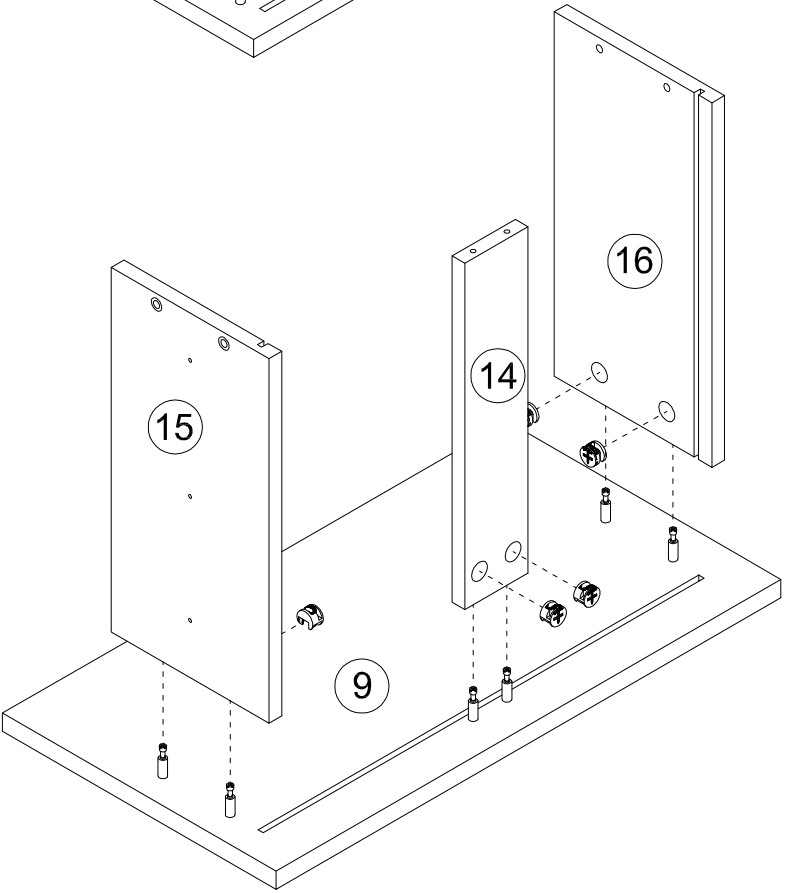
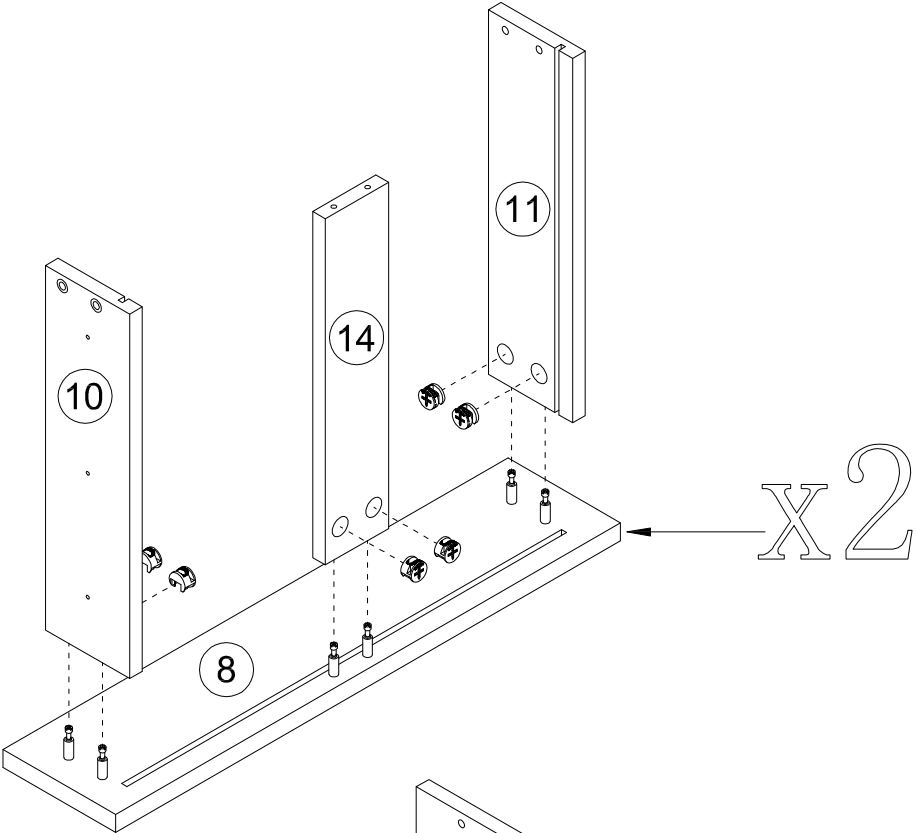
18x
K
CAM
SCREW



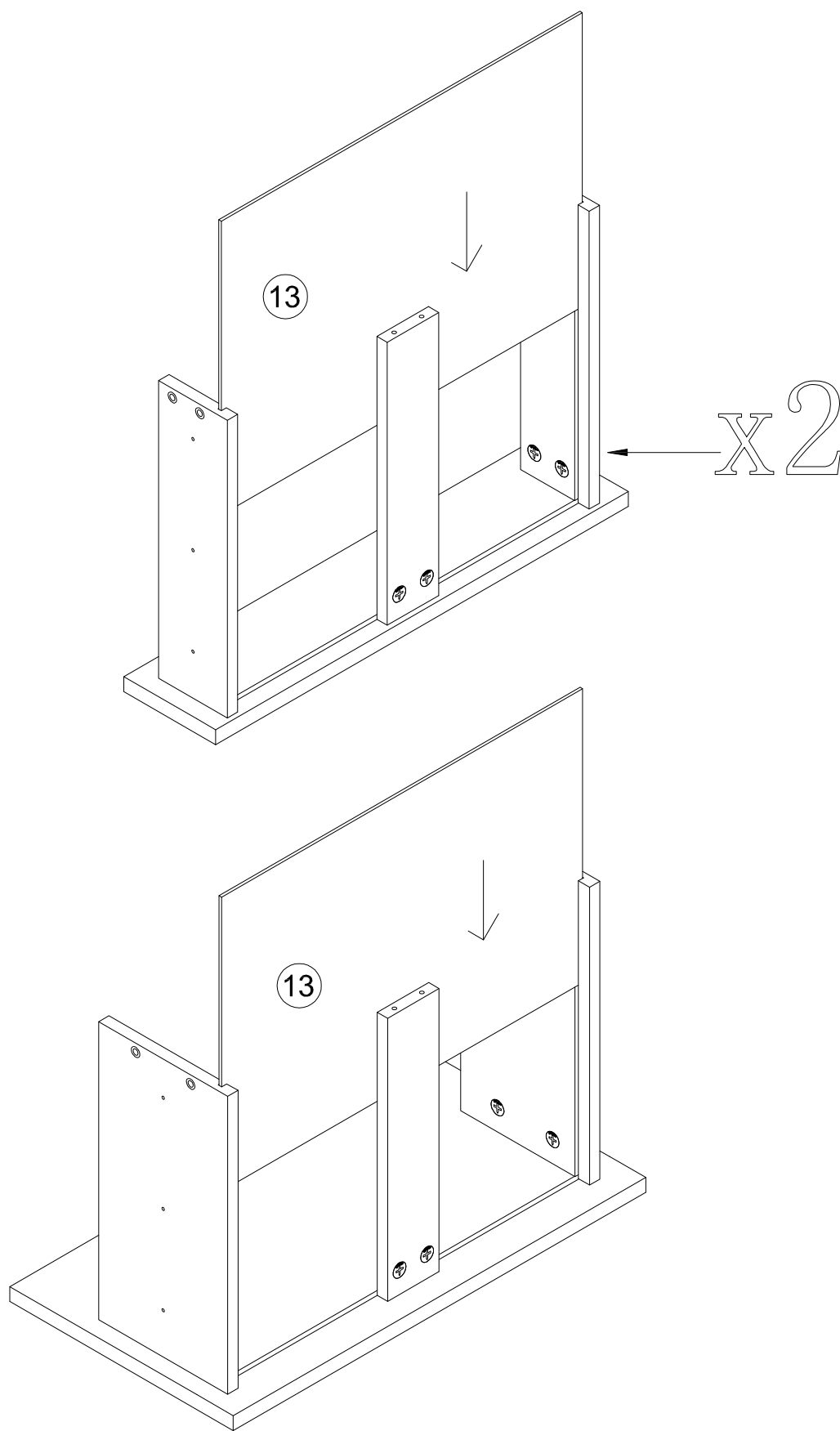
STEP 9



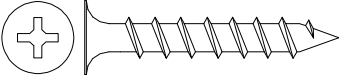
18x
L
HIDDEN
CAM



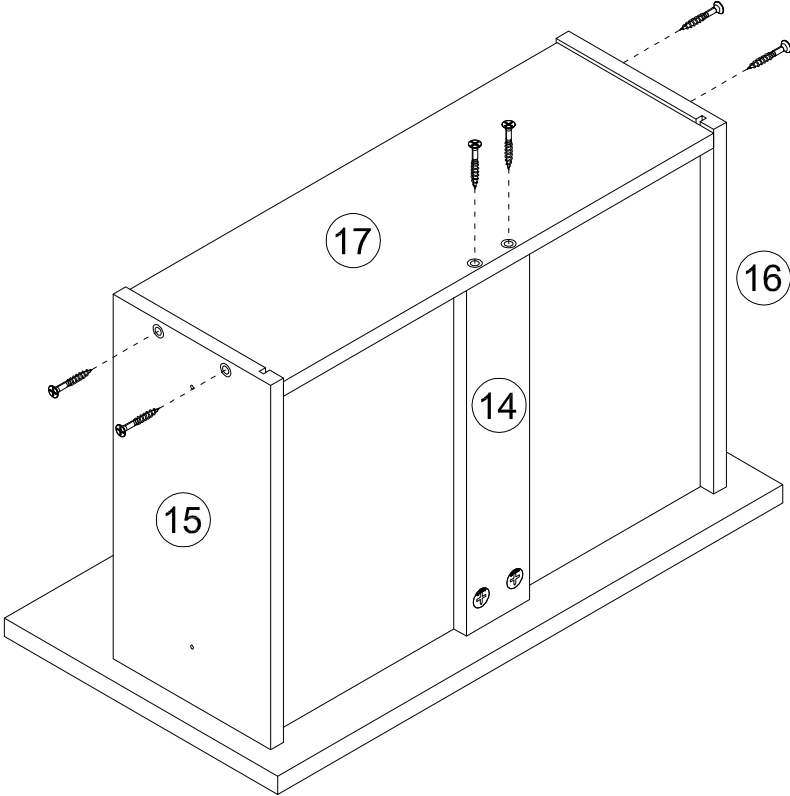
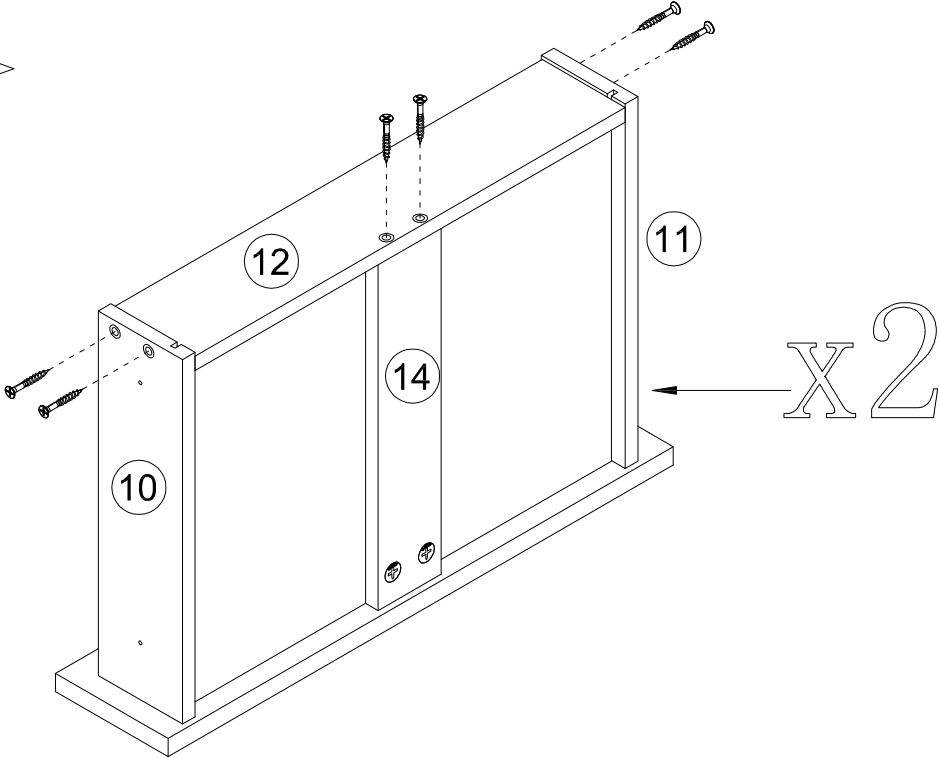
STEP 10



STEP 11



18x
R
#10*1"
FLAT
HEAD SCREW



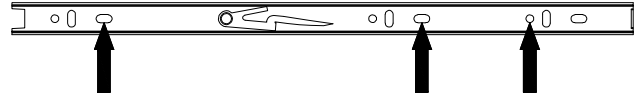
STEP 12



18x
H
#6*1/2"



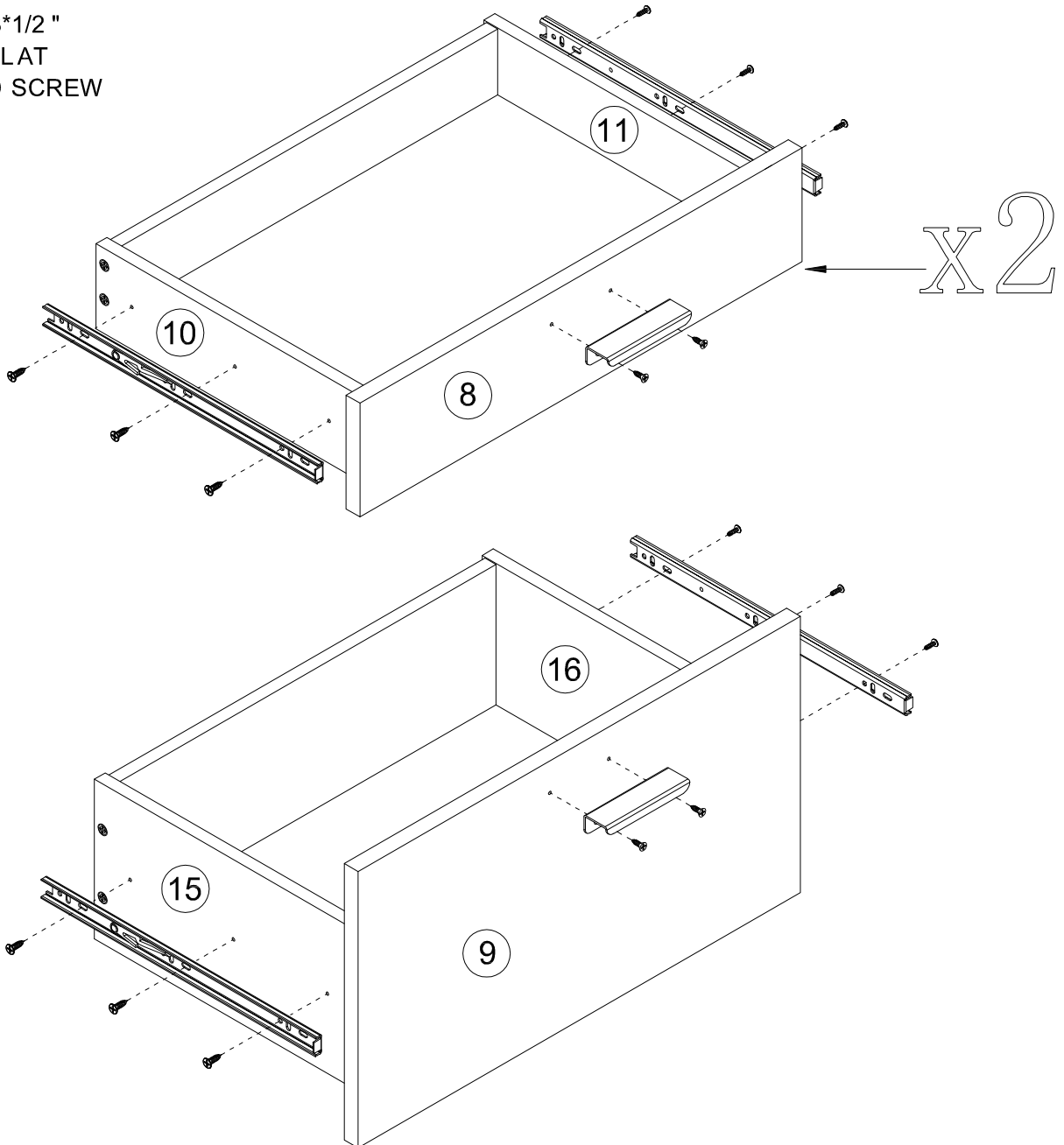
6x
F





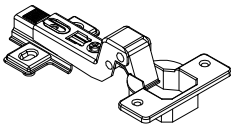
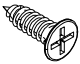
6x
M
#8*1/2"
FLAT
HEAD SCREW

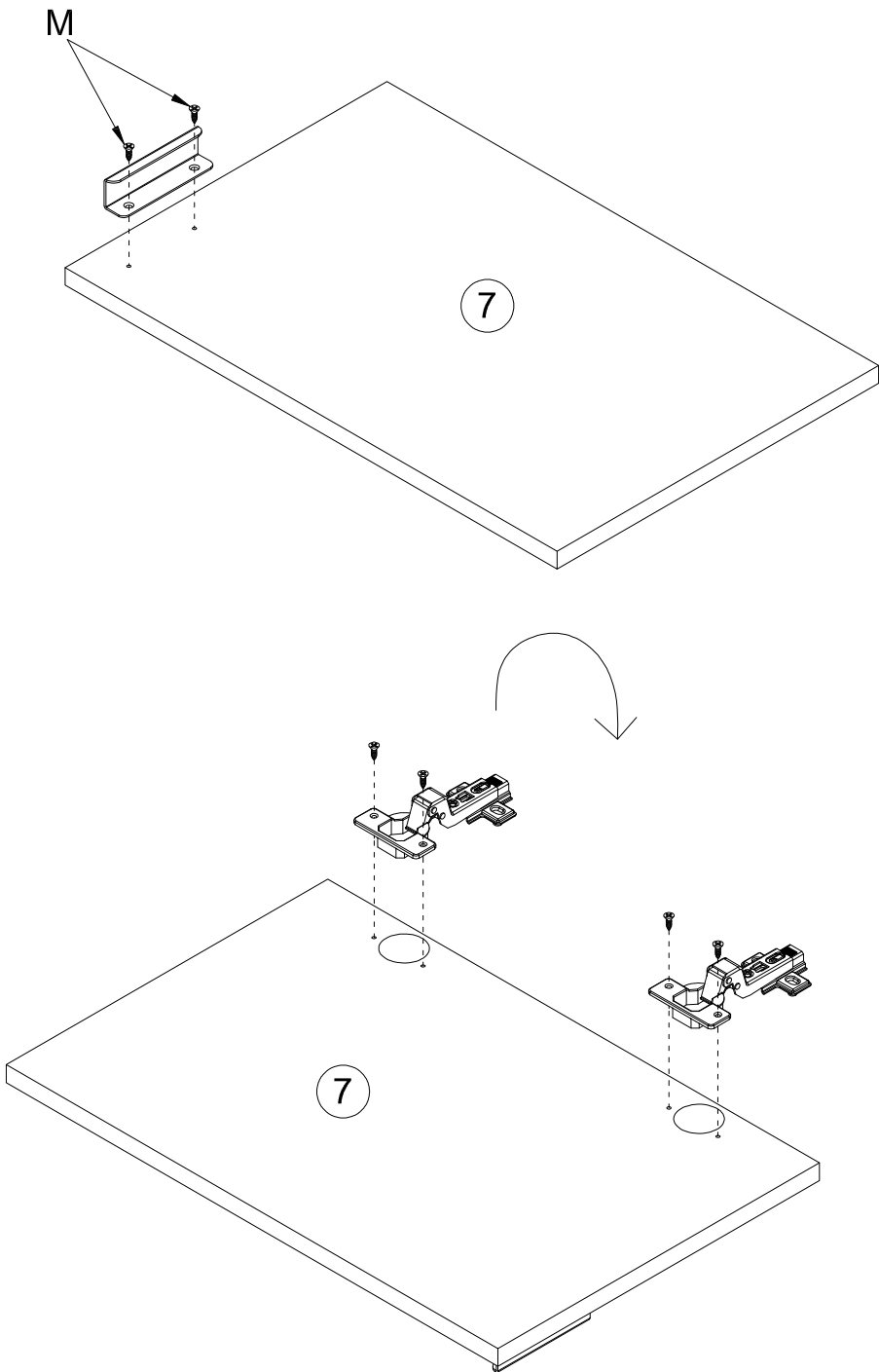


3x
N



STEP 13

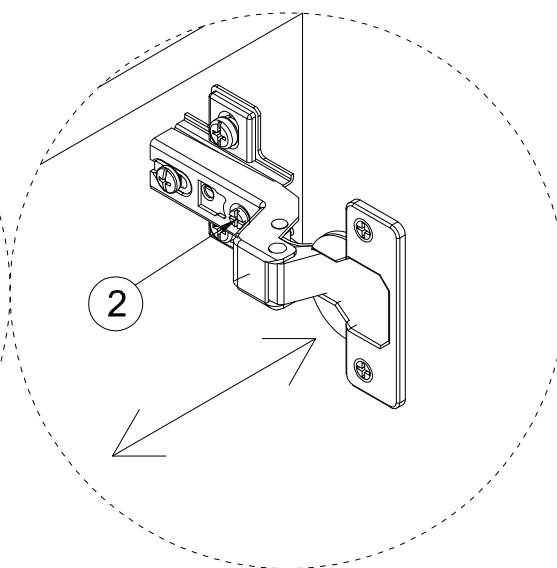
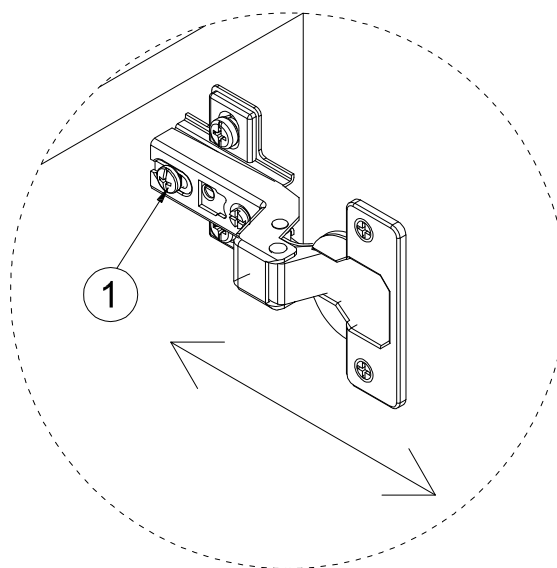
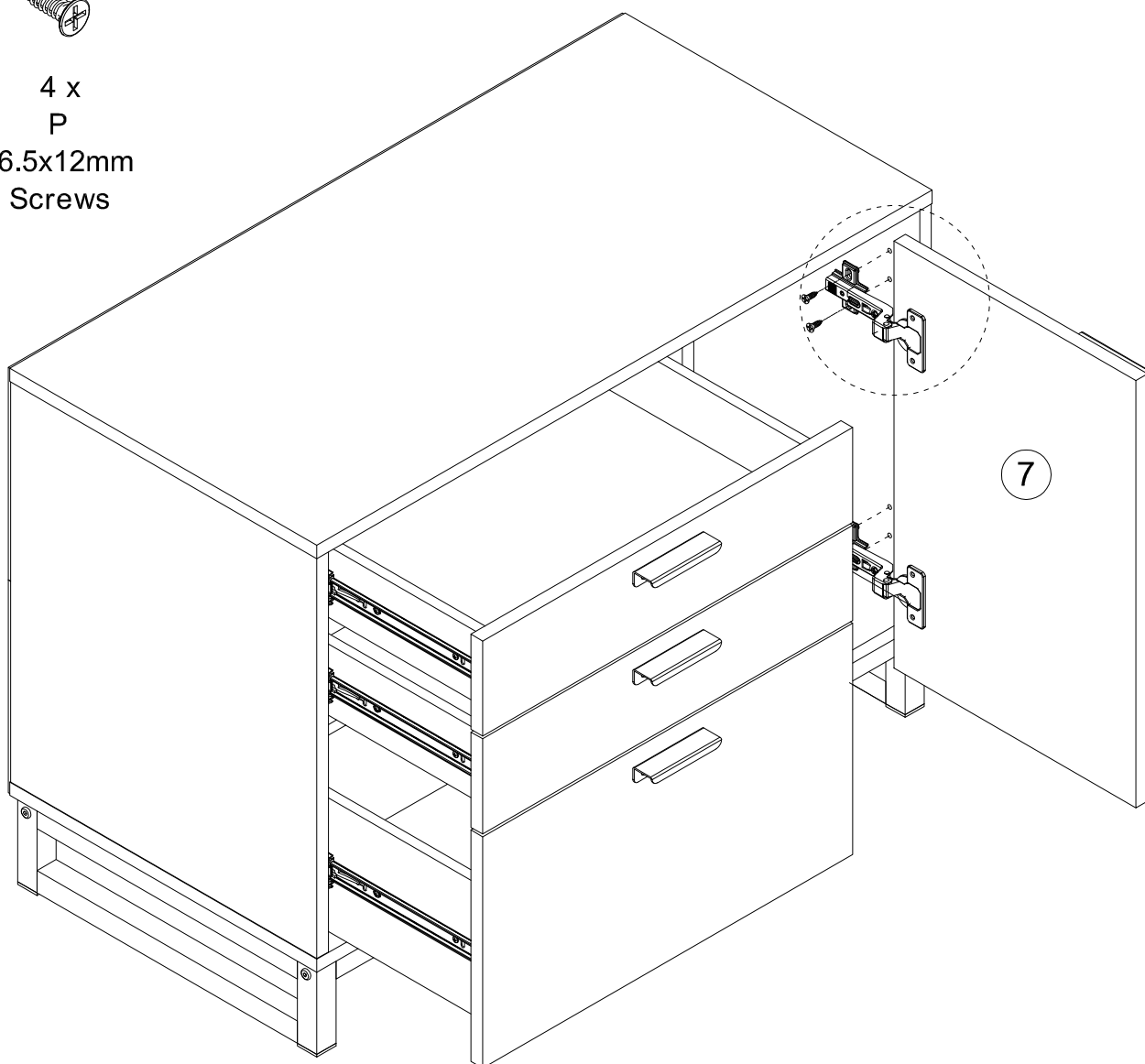
-  2x
M
#8*1/2"
FLAT
HEAD SCREW
-  1x
N
-  2x
O
-  4 x
P
#6.5x12mm
Screws



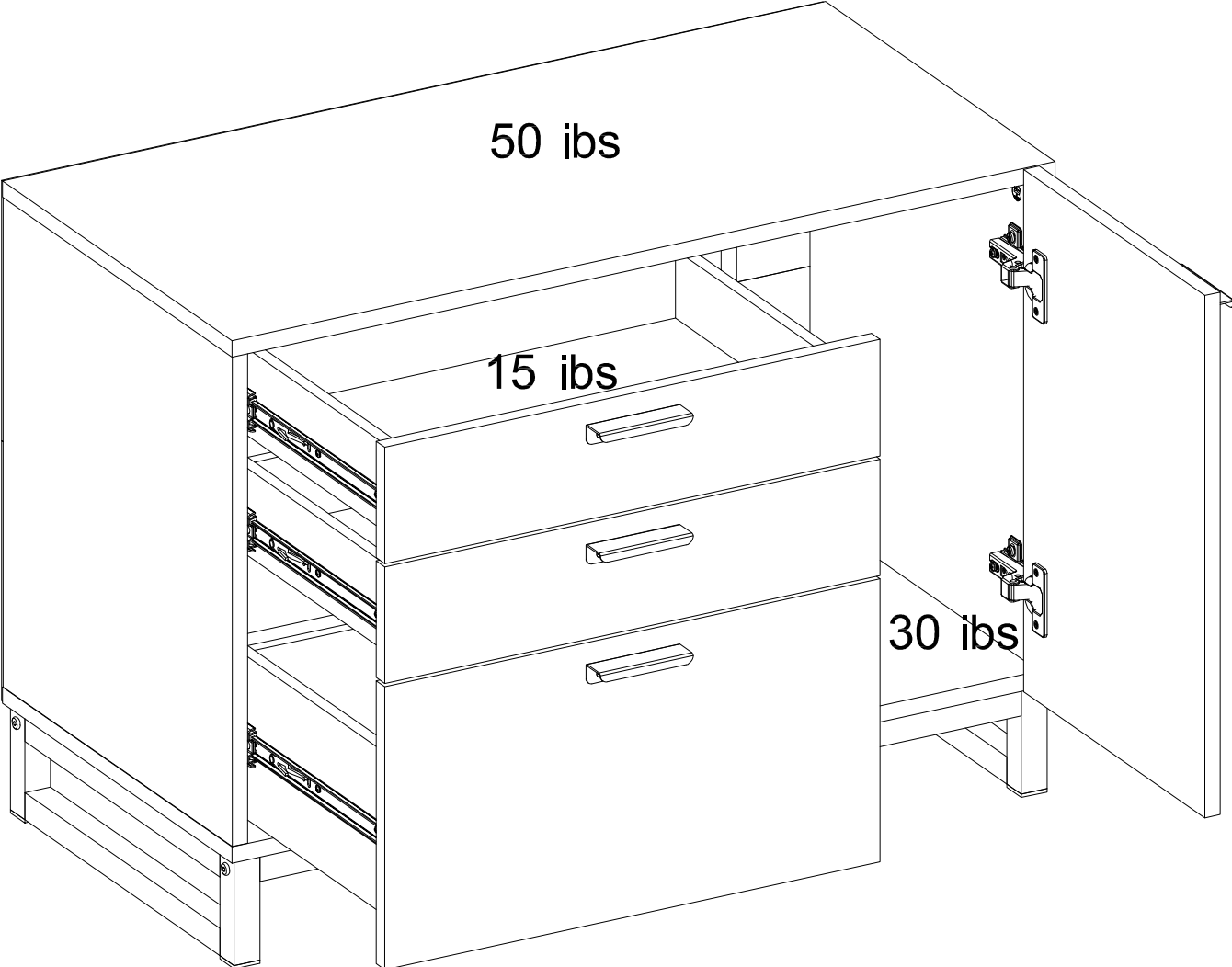
STEP 14



4 x
P
#6.5x12mm
Screws



STEP 15





Warning

Please use your furniture correctly and safely. Improper use can cause safety hazards, or damage to your furniture or household items. Carefully read the following chart.

Look out for:	What can happen:	How to avoid the problem:
<ul style="list-style-type: none">• Overloaded shelves and drawers.• Improperly loading can cause the product to be top-heavy.	<ul style="list-style-type: none">• Risk of injury.• Top-heavy furniture can tip over.• Overloaded shelves and drawers can break.	<ul style="list-style-type: none">• Never exceed the weight limits shown in the instructions. <p>Work from bottom to top when loading shelves and drawers. Place the heavier items on the lower shelves or in lower drawers.s.</p>
<ul style="list-style-type: none">• Improperly moving furniture that is not designe aand equipped with casters.	<ul style="list-style-type: none">• Furniture can tip over or break if improperly moved.• Physical injury. Furniture can be very heavy.• Breakage of tops - particularly with double pedestal furniture (drawers at both ends).	<ul style="list-style-type: none">• Unload shelves and drawers from top to bottom before moving the unit.• Do not push furniture, especially on a carpeted floor. Have a friend help you lift the item and set it in place.
<ul style="list-style-type: none">• Placing TVs on furniture items that are not designed to support a television is hazardous.	<ul style="list-style-type: none">• Risk of injury or death. TVs can be very heavy.Plus the weight and location of the picture tube tends to make TVs unbalanced and prone to tipping forward.	<ul style="list-style-type: none">• Provide support to the center section of the top when lifting the furniture.• This product is not designed to support a television.