



CHARCOAL OUTDOOR GRILL

Installation Instructions and Use & Care Guide

For questions about features, operation/performance, parts, accessories or service, call: **1-877-373-2301**
or visit our website at www.Kitchenaidgrills.com

ASADOR PARA EXTERIORES

Instrucciones de instalación y Manual de uso y cuidado

Para consultas respecto a características, funcionamiento, rendimiento, piezas, accesorios o servicio técnico,
llame al: **1-877-373-2301**
o visite nuestro sitio de internet en www.Kitchenaidgrills.com

Table of Contents/Índice..... 2

TABLE OF CONTENTS

OUTDOOR GRILL SAFETY	3	OUTDOOR GRILL USE	23
INSTALLATION REQUIREMENTS	4	Using Your Outdoor Grill	23
Tools and Parts.....	4	TIPS FOR OUTDOOR GRILLING	24
Location Requirements.....	4	OUTDOOR GRILL CARE	25
Product Dimensions.....	5	General Cleaning	25
REPLACEMENT PARTS	6	ASSISTANCE	25
PACKAGE CONTENTS LIST	8	WARRANTY	26
ALL PRE-ASSEMBLED SCREW LIST	10		
INSTALLATION INSTRUCTIONS	11		
Freestanding Outdoor Grill Installation.....	11		

ÍNDICE

SEGURIDAD DEL ASADOR PARA EXTERIORE	27	USO DEL ASADOR PARA EXTERIORES	47
REQUISITOS DE INSTALACIÓN	28	Cómo usar el asador para exteriores	47
Herramientas y piezas	28	CONSEJOS PARA ASAR AL AIRE LIBRE	48
Requisitos de ubicación	28	CUIDADO DEL ASADOR PARA EXTERIORES	49
Medidas del producto	29	Limpieza general	49
PIEZAS DE REPUESTO	30	ASISTENCIA	49
PAQUETE LISTA DE CONTENIDO	32	GARANTÍA	50
Tools los Tornillos pre-ensamblados listo.....	34		
INSTRUCCIONES DE INSTALACIÓN	35		
Instalación del asador autónomo para exteriores	35		

OUTDOOR GRILL SAFETY

Your safety and the safety of others are very important.

We have provided many important safety messages in this manual and on your appliance. Always read and obey all safety messages.



This is the safety alert symbol.

This symbol alerts you to potential hazards that can kill or hurt you and others.

All safety messages will follow the safety alert symbol and either the word "DANGER" or "WARNING."

These words mean:

 **DANGER**

You can be killed or seriously injured if you don't immediately follow instructions.

 **WARNING**

You can be killed or seriously injured if you don't follow instructions.

All safety messages will tell you what the potential hazard is, tell you how to reduce the chance of injury, and tell you what can happen if the instructions are not followed.

State of California Proposition 65 Warnings:

WARNING: This product contains one or more chemicals known to the State of California to cause cancer.

WARNING: This product contains one or more chemicals known to the State of California to cause birth defects or other reproductive harm.

IMPORTANT SAFETY INSTRUCTIONS

IMPORTANT: To reduce the risk of fire, injury to persons, or damage when using the outdoor cooking appliance, follow basic precautions, including the following:

- Do not install portable or built-in outdoor cooking appliances in or on a recreational vehicle, portable trailer, boat, or in any other moving installation.
- Always maintain minimum clearances from combustible construction, see "Locations Requirements" section.
- The outdoor cooking appliance shall not be located under overhead unprotected combustible construction.
- This outdoor cooking appliance shall be used only outdoors and shall not be used in a building, garage, or any other enclosed area.
- Keep outdoor cooking appliance clear and free from combustible materials, gasoline or other flammable vapors or liquids.
- This grill will become very hot while in use. Do not move it during operation.
- Do not use alcohol, gasoline or comparable fluids for lighting or re-lighting grill.
- Do not use this grill as a heater.
- Grill is to be used on a stable, level, non-flammable surface such as asphalt, concrete or solid ground. Do not use this grill on flammable material such as carpet or a wood deck.
- Do not use this product in a manner other than its intended purpose.
- Do not leave the grill unattended while in use.
- Do not leave hot ashes unattended until the grill cools completely.
- Do not move the grill while in use or while ashes are still hot. Allow the grill to cool completely before moving or storing.
- Dispose of cold ashes by placing in a noncombustible container. Make sure that there are no other combustible materials in or near the container.

SAVE THESE INSTRUCTIONS

INSTALLATION REQUIREMENTS

Tools and Parts

Gather these required tools and parts before starting installation. Read and follow the instructions provided with any tools listed here.

Tools needed

- Phillip screwdriver
- Wrench or pliers
- Scissors or cutting pliers (to remove tiedowns)

Location Requirements

⚠ WARNING

Carbon Monoxide Poisoning Hazard

Do not use charcoal grill in enclosed areas such as garages, tents, or indoors.

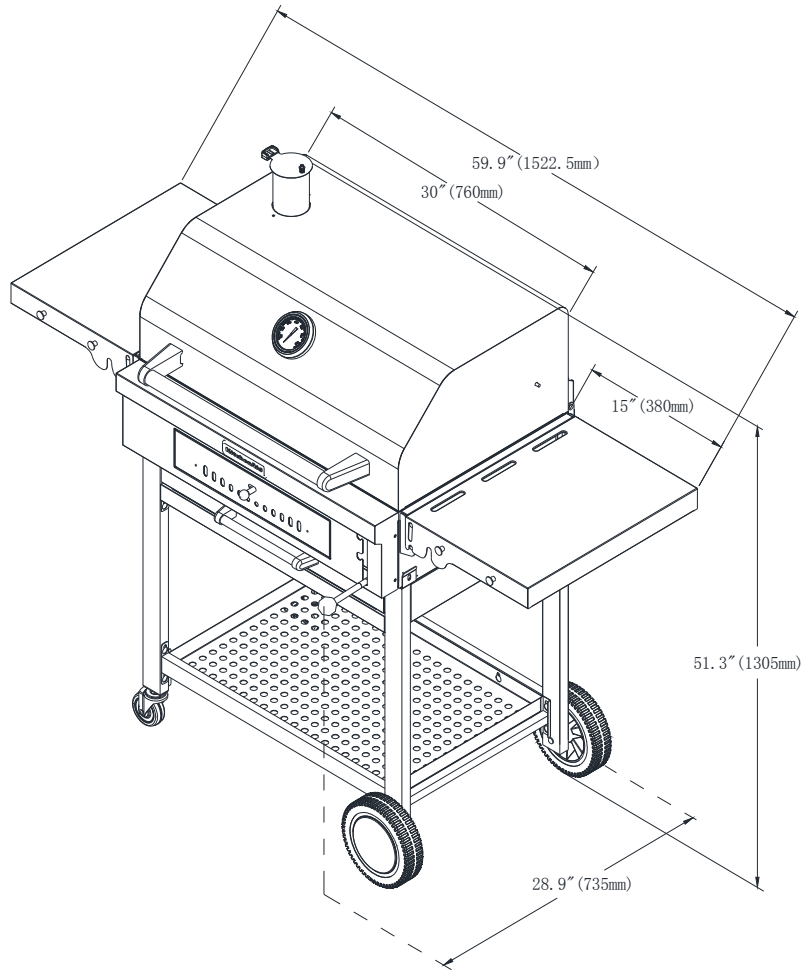
Doing so can result in death or carbon monoxide poisoning.

Select a location that provides minimum exposure to wind and traffic paths. The location should be away from strong draft areas.

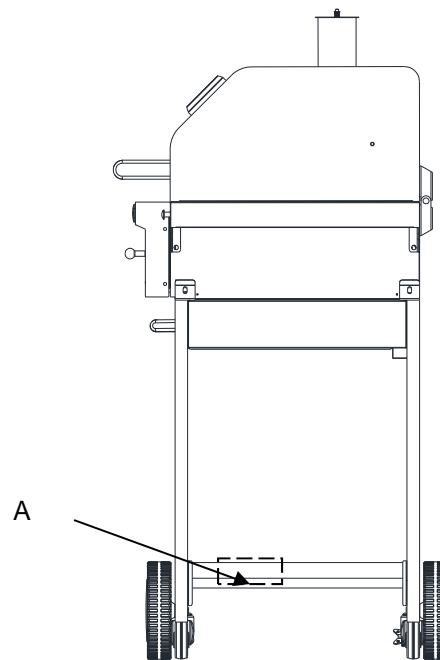
Clearance to combustible construction for grill:

- A minimum of 36" (91.4 cm) must be maintained between the front of the grill hood, sides and back of the grill and any combustible construction.
- A 36" (91.4 cm) minimum clearance must also be maintained below the cooking surface, and the grill shall not be used under overhead combustible construction.

Product Dimension

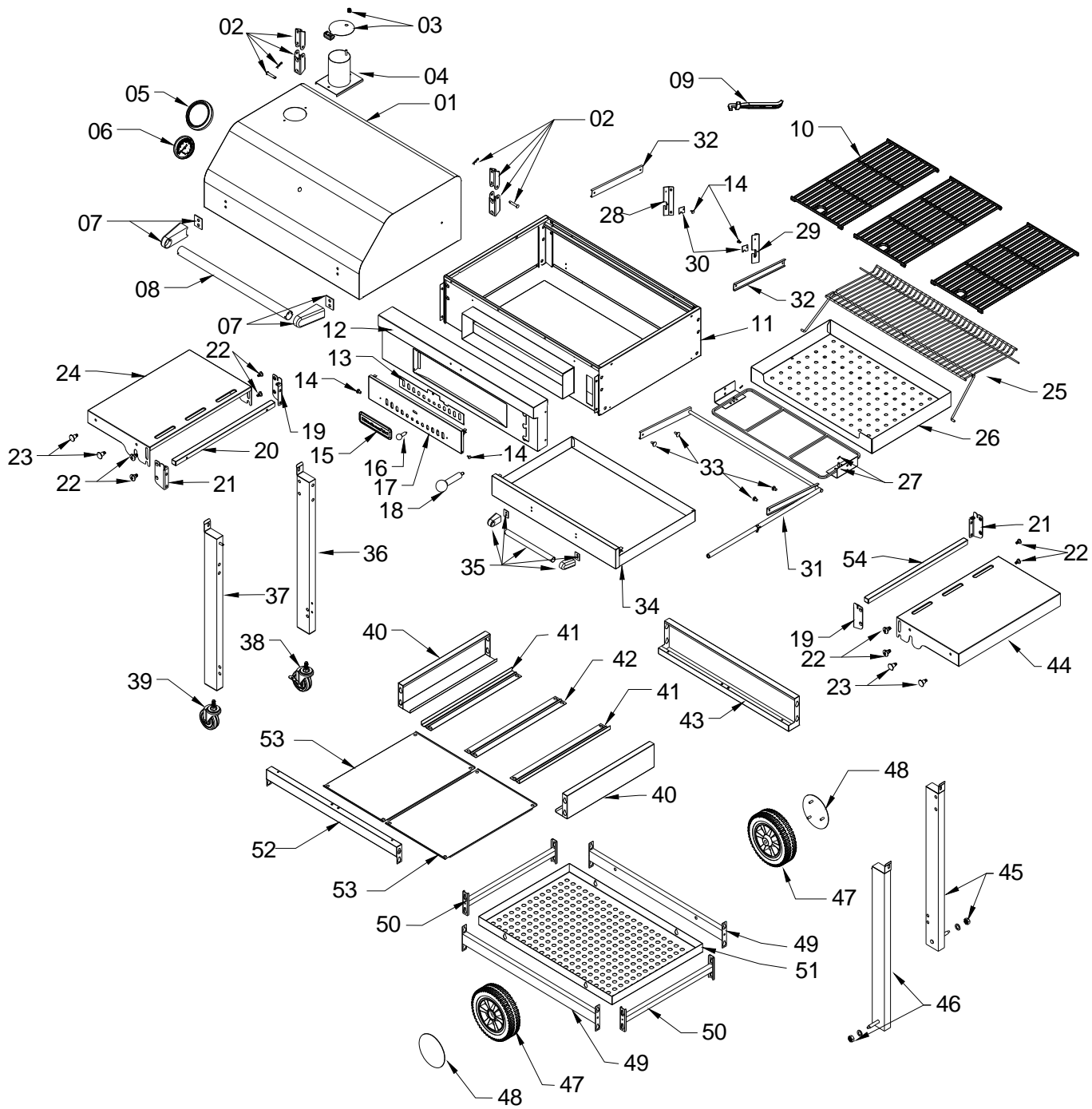


The model/serial number rating plate is located on the right side of cart. See the following illustration.



A. Model/serial number plate





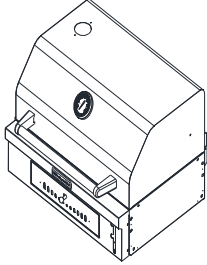
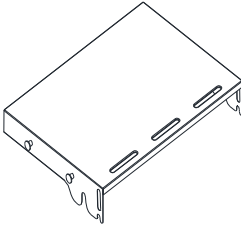
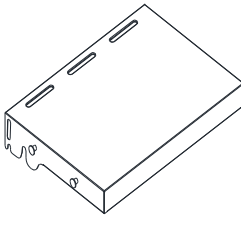
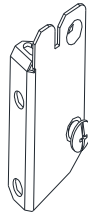
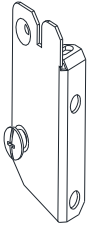
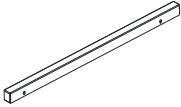
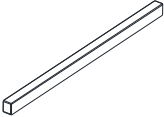
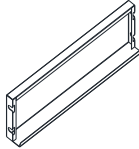
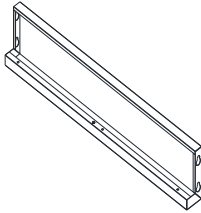
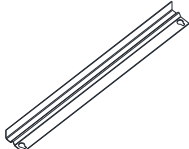
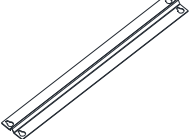
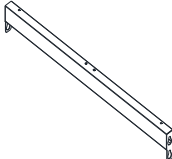
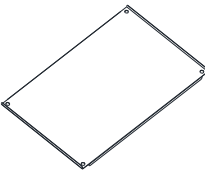
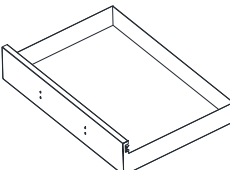
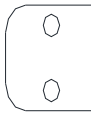
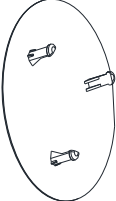
REPLACEMENT PARTS

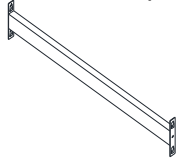
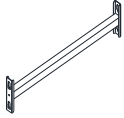
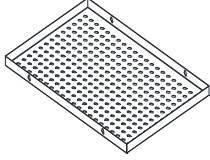

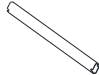
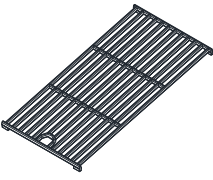
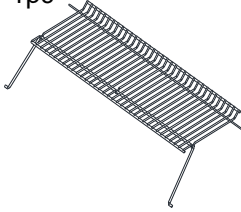
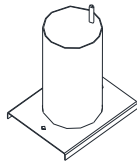
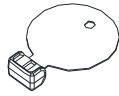
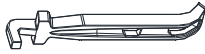
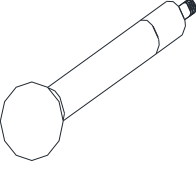
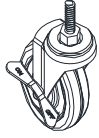

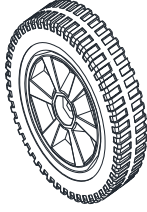


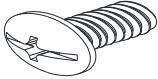

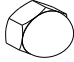

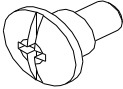
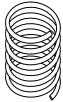
Parts List

No.	Part (Description)	Warranty coverage	QTY	No.	Part (Description)	Warranty coverage	QTY
1	Main lid	1	1	28	Charcoal pan adjustment L shape bracket ,left	1	1
2	Main lid hinge	1	2	29	Charcoal pan adjustment L shape bracket ,right	1	1
3	Chimney lid	1	1	30	Charcoal pan raising rod fixing bracket	1	2
4	Charcoal Chimney	1	1	31	Charcoal pan adjustment assembly	1	1
5	Temperature gauge housing	1	1	32	Charcoal pan adjustment assembly support bracket	1	2
6	Temperature gauge	1	1	33	Stage screw B	1	4
7	Main lid handle seat	1	2	34	Charcoal ash tray	1	1
8	Main lid tube		1	35	Charcoal ash tray handle Assembly	1	1
9	Cooking grid lifter	1	1	36	Left cart leg ,back	1	1
10	Cooking grid with hole	3	3	37	Left cart leg, front	1	1
11	Charcoal bowl assembly	Non-replaceable	1	38	Swivel caster with brake	1	1
12	Main control panel	1	1	39	Swivel caster	1	1
13	Ventilation adjustment bracket	1	1	40	Firebox support side panel	1	2
14	Stage screw A	1	4	41	Charcoal ash tray support bracket, side	1	2
15	Logo	1	1	42	Charcoal ash tray support bracket, middle	1	1
16	Ventilation door control knob	1	1	43	Firebox support rear panel	1	1
17	Ventilation panel	1	1	44	Side shelf, right	1	1
18	Charcoal pan control knob	1	1	45	Right cart leg, back	1	1
19	Side shelf support bracket A	1	2	46	Right cart leg, front	1	1
20	Side shelf trim piece, left	1	1	47	Wheel	1	2
21	Side shelf support bracket B	1	2	48	Wheel cap	1	2
22	Side shelf stage screw	1	8	49	Bottom panel cross bar A	1	2
23	Side shelf hook	1	4	50	Bottom panel cross bar B	1	2
24	Side shelf, left	1	1	51	Bottom panel	1	2
25	Warming rack	1	1	52	Cart beam, front	1	1
26	Charcoal pan	1	1	53	Heat shield panel	1	2
27	Charcoal pan support	1	1	54	Side shelf trim piece, right	1	1

PACKAGE CONTENTS LIST

<p>A. Left front leg-1pc</p> 	<p>B. Right front leg-1pc</p> 	<p>C. Left rear leg-1pc</p> 	<p>D. Right rear leg-1pc</p> 	<p>E. Firebox assembly-1pc</p> 
<p>F. Left side shelf-1pc</p> 	<p>G. Right side shelf-1pc</p> 	<p>H. Side shelf support bracket A- 2pcs</p> 	<p>I. Side shelf support bracket B-2pcs</p> 	<p>J. Side shelf trim piece, left-1pc</p> 
<p>K. Side shelf trim Piece, right-1pc</p> 	<p>L. Side panel-2pcs</p> 	<p>M. Rear panel-1pc</p> 	<p>N. Ash tray support bracket, side-2pcs</p> 	<p>O. Ash tray support bracket, middle-1pc</p> 
<p>P. Cart beam, front-1pc</p> 	<p>Q. Head shield panel-2pcs</p> 	<p>R. Ash tray-1pc</p> 	<p>S. Mica plate -2pcs</p> 	<p>T. Wheel cap-2pcs</p> 

<p>U. Bottom panel cross bar A-2pcs</p> 	<p>V. Bottom panel cross bar B-2pcs</p> 	<p>W. Bottom panel -1pc</p> 	<p>X. Ash tray handle seat-2pcs</p> 	<p>Y. Ash tray handle -1pc</p> 
<p>Z. Cooking grid-3pcs</p> 	<p>AA. Warming rack -1pc</p> 	<p>AB. Chimney-1pc</p> 	<p>AC. Chimney lid-1pc</p> 	<p>AD. Grid lifter-1pc</p> 
<p>AE. Charcoal pan control knob-1pc</p> 	<p>AF. Swivel caster with brake-1pc</p> 	<p>AG. Swivel caster -1pc</p> 	<p>AH. Wheel-2pcs</p> 	

Hardware Contents		
Ref#	Description	Qty
FF-1	Screw W1/4"-20x3/5" 	12PCS
FF-2	Screw W5/32"-32x2/5" 	14PCS
FF-3	Nut W1/4"-20" 	1PC
FF-4	M6 Washer 	1PC
FF-5	Stage Screw 1/4-in.x15-mm 	4PCS
FF-6	Chimney lid spring 	1PC

INSTALLATION INSTRUCTIONS

Freestanding Outdoor Grill Installations

⚠ WARNING

Excessive Weight Hazard

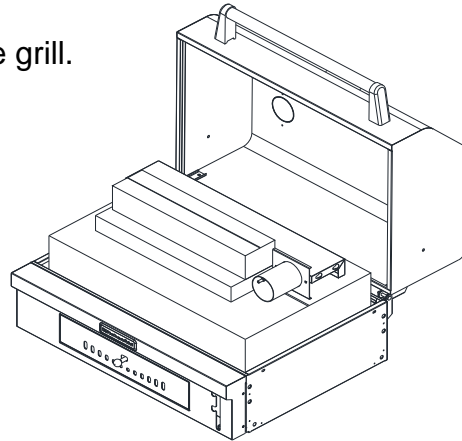
Use two or more people to move and install grill.
Failure to do so can result in back or other injury.

Unpack Grill

1. Remove all packaging materials and remove grill from the shipping base.
2. Move grill close to desired outdoor location.
3. Open the grill hood.

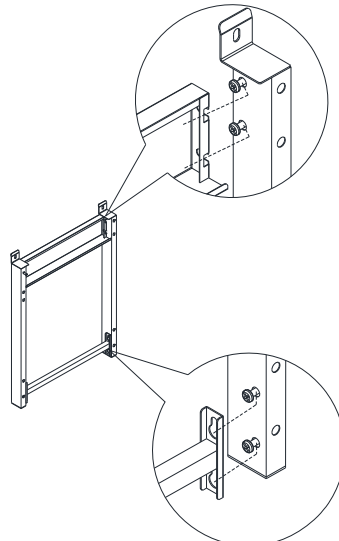
Remove Packaging Material Inside the Grill

1. Use scissors to cut yellow straps and packing tape to open box from top and remove the boxes
2. Remove the warming shelf and grill grates from inside the grill and remove the package inside the firebox.
3. Remove foam block and wrap from inside the grill.

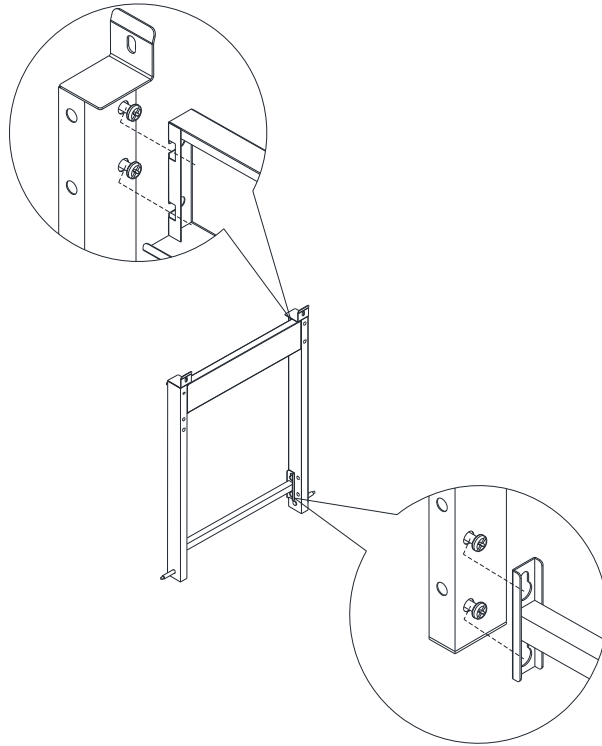


Assemble the Grill

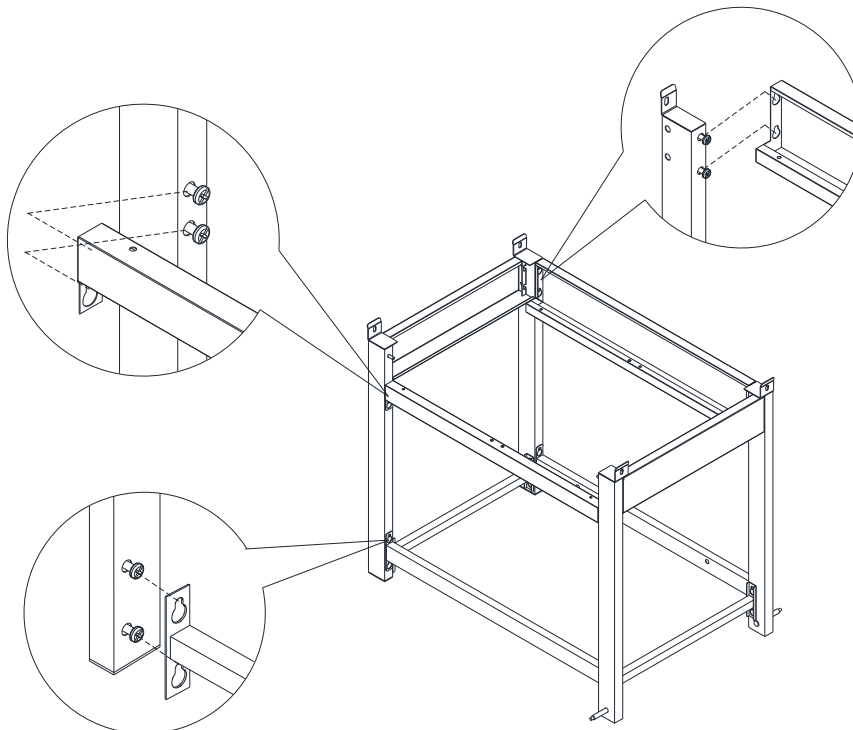
1. Loosen the two screws on top and bottom of two legs (A&C), add the side panel (L) on the top, cross bar (V) on the bottom and slide into the screws and tighten the screws as shown.



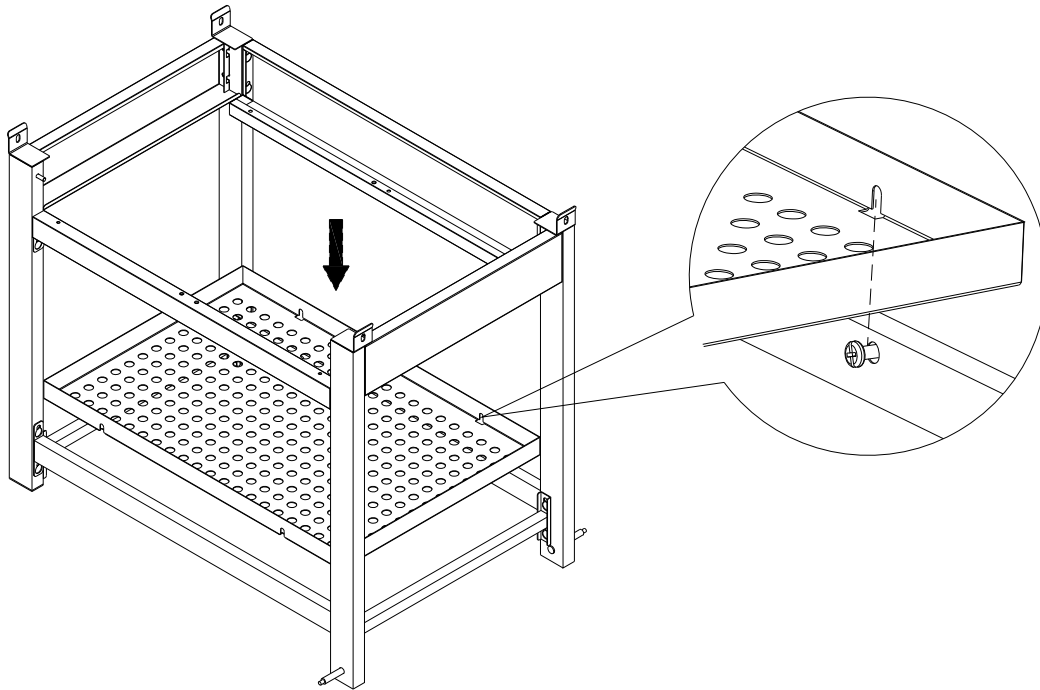
2. Loosen the two screws on top and bottom of two legs (B&D), add the side panel (L) on the top, cross bar (V) on the bottom and slide into the screws and tighten the screws as shown.



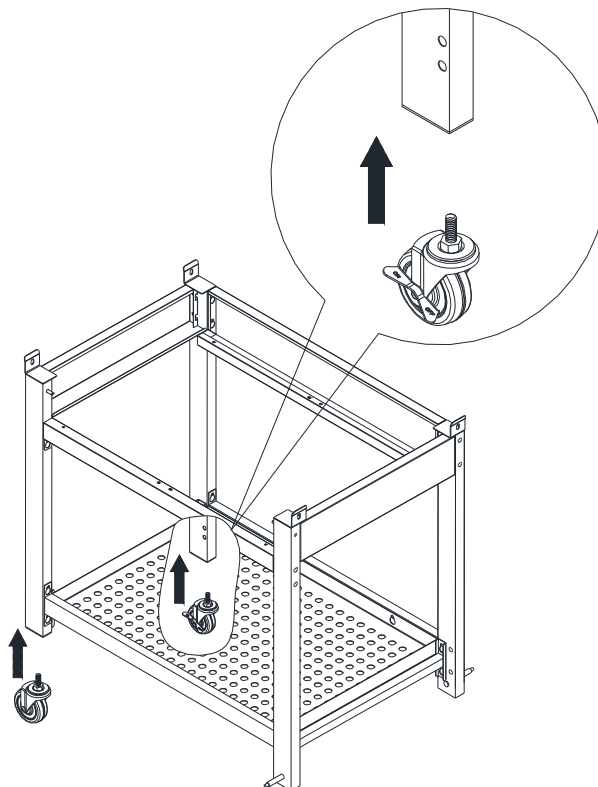
3. Loosen the screws on inside face of leg, slide the cart beam (P) and rear panel (M), then tighten the screws as shown.



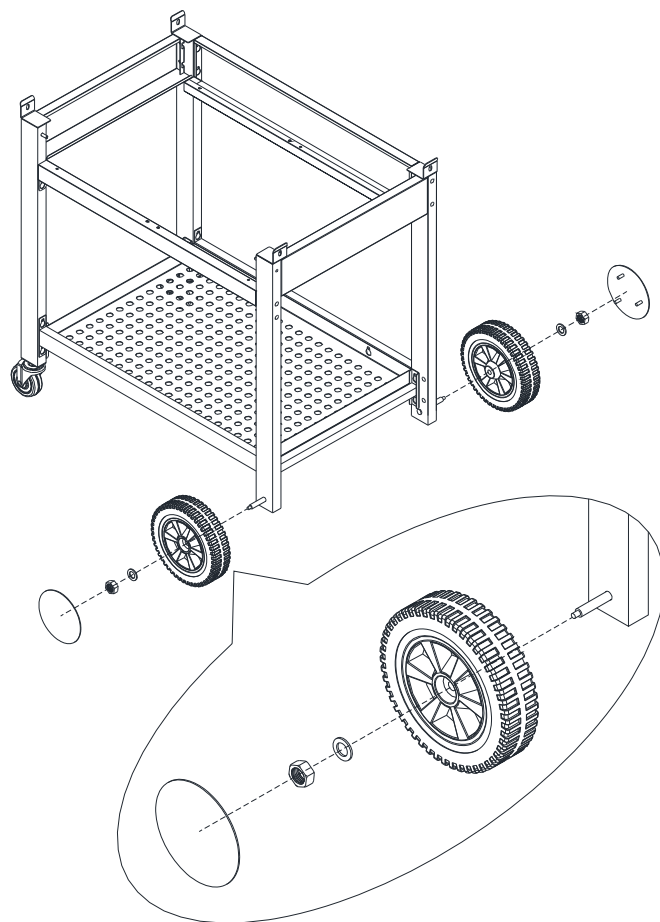
4. Loosen the screws that are facing inward in the front and rear bottom panel cross bars (U), then slide the bottom panel (W) into the screws and tighten them as shown.



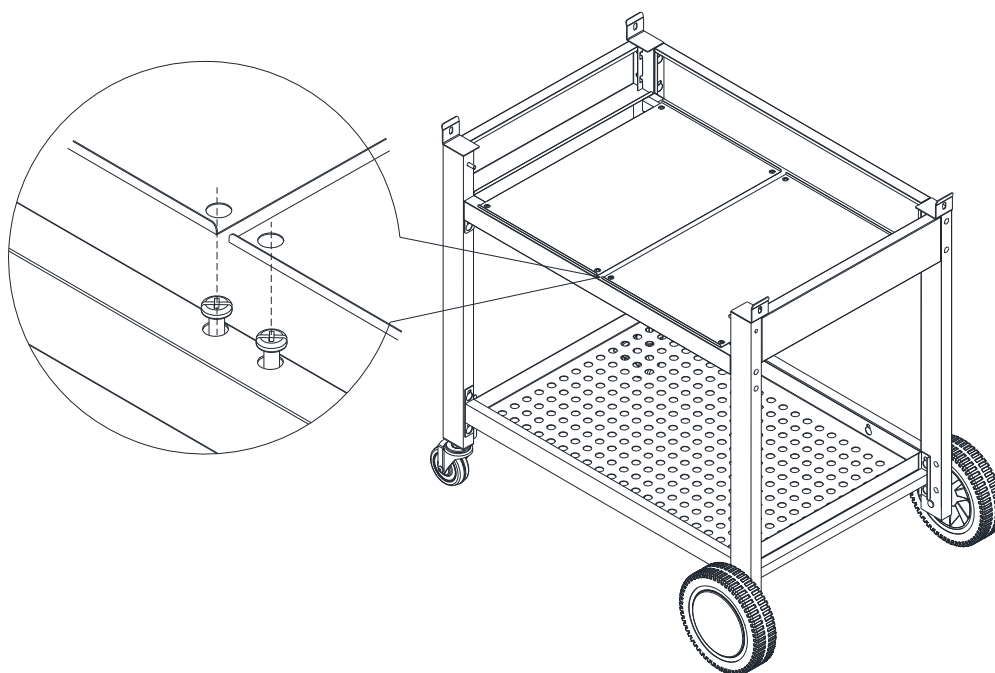
5. Screw the caster without brake (AG) into the front leg (A) and screw the caster with brake (AF) in rear (C) as shown.



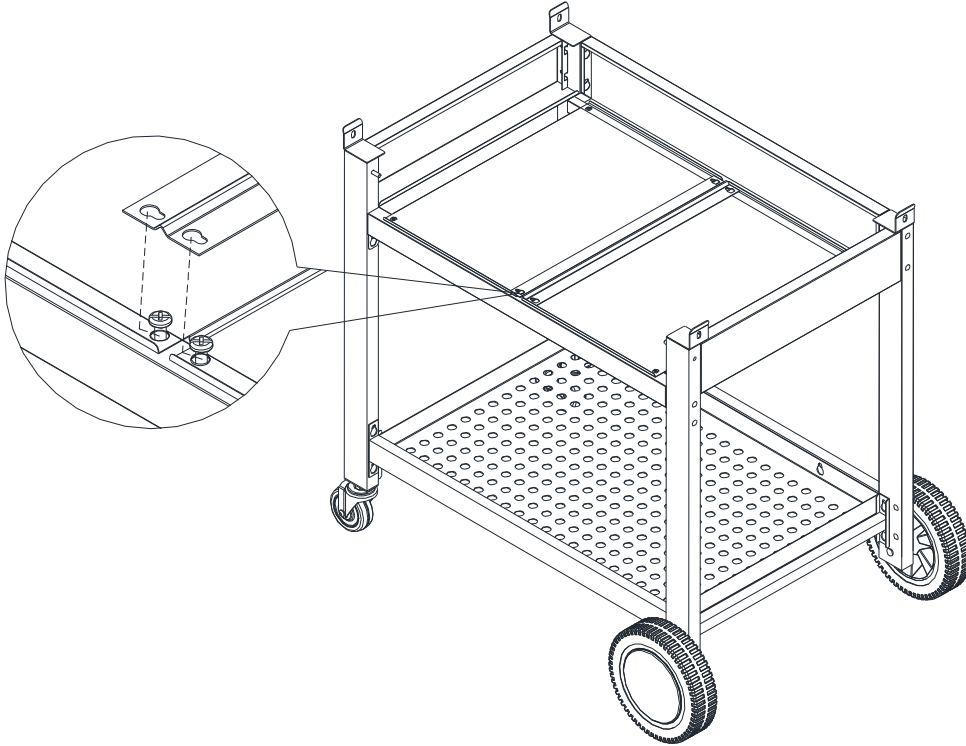
6. Take the cap (T) off, remove the screws and washer from leg axle, then assemble the wheels (AH) onto axle and add washers (FF-4) and nuts (FF-3) and tighten. Add the cap as shown.



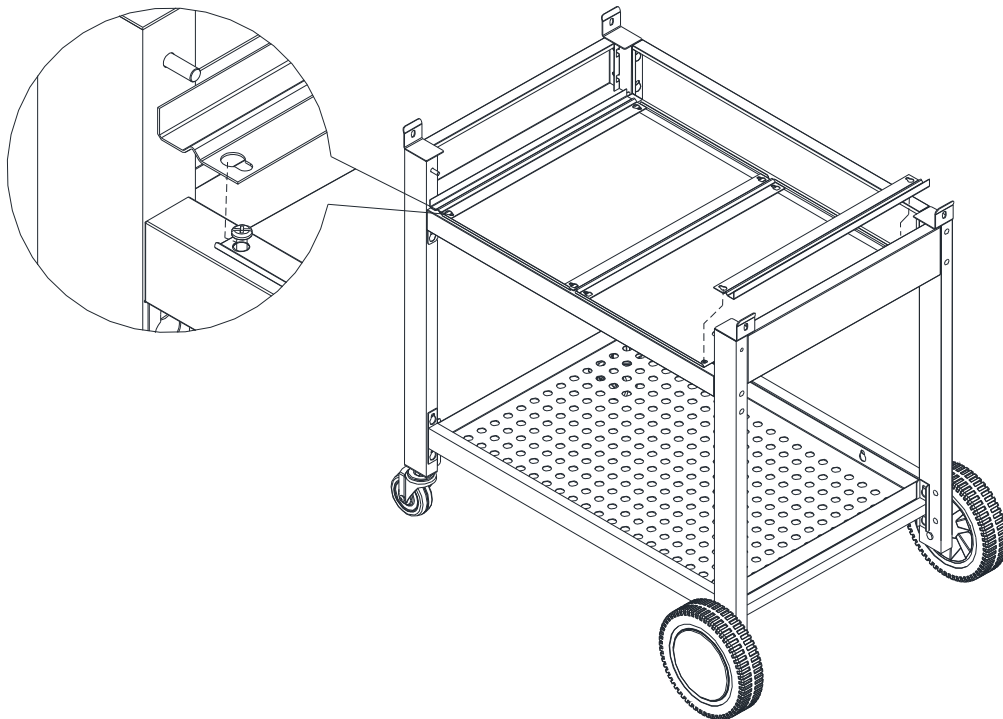
7. Loosen eight screws on the cart beam (P) and rear panel (M). Then place the two panels (Q) and slide into the hole as shown, do not tighten the screws at this step.



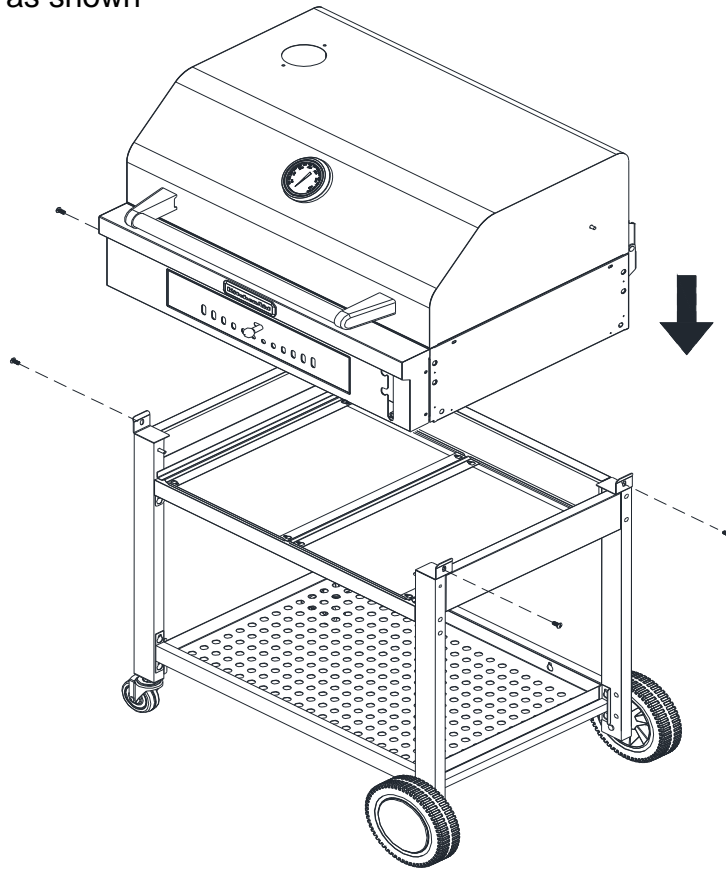
8. Place the bracket (O) on the middle ,then slide into the holes and tighten the screws as shown.



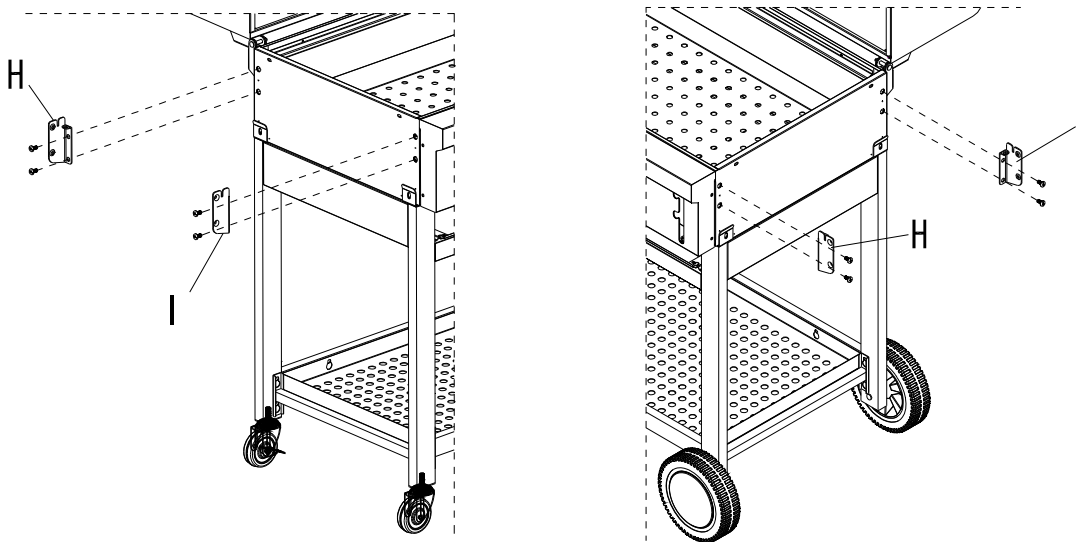
9. Place the brackets (N) on the left and right side ,then slide into the holes and tighten the screws as shown.



10. Place the firebox assembly (E) into the cart , then use 4 pieces W1/4"-20x3/5" (FF-1) to screw the firebox with leg as shown

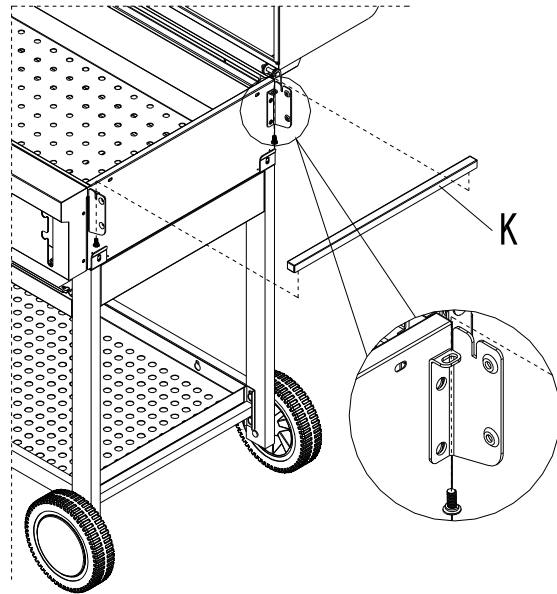
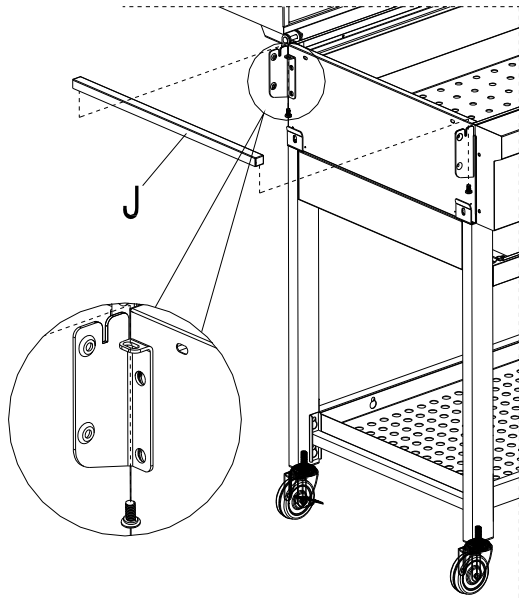


11. Use 8 pieces W1/4"-20x3/5" screws (FF-1) to assembly the four brackets (H&I) on the four outer corners of firebox as shown.

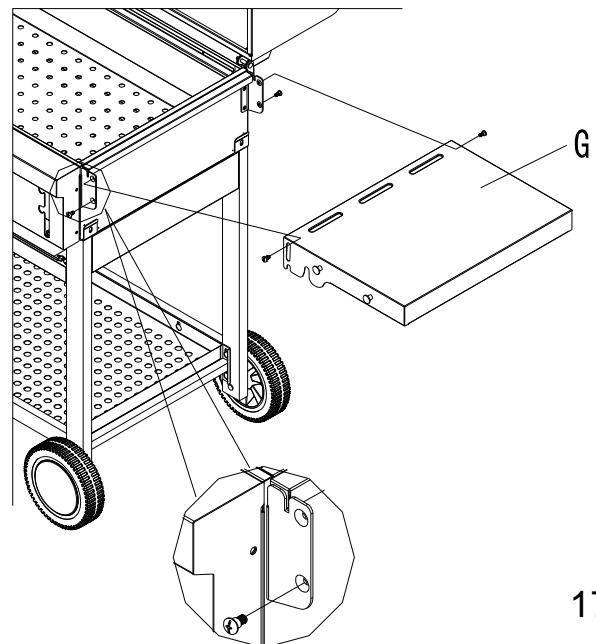
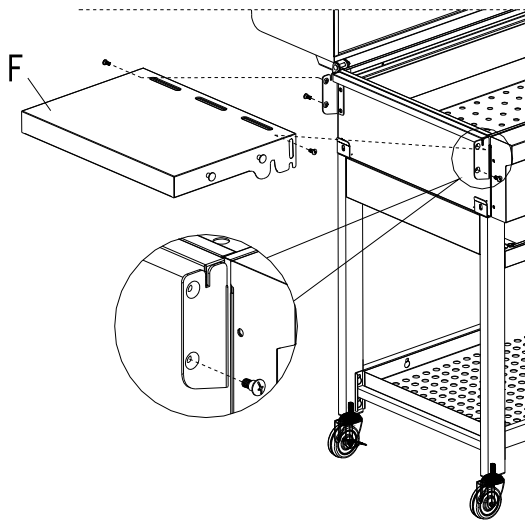


12a) Use 4 pieces W5/32"-32x2/5 screws (FF-2) from the firebox inside to outside to assemble the left and right side shelf trim piece (J&K) as shown. Use 2 pieces for left , 2 pieces for right.

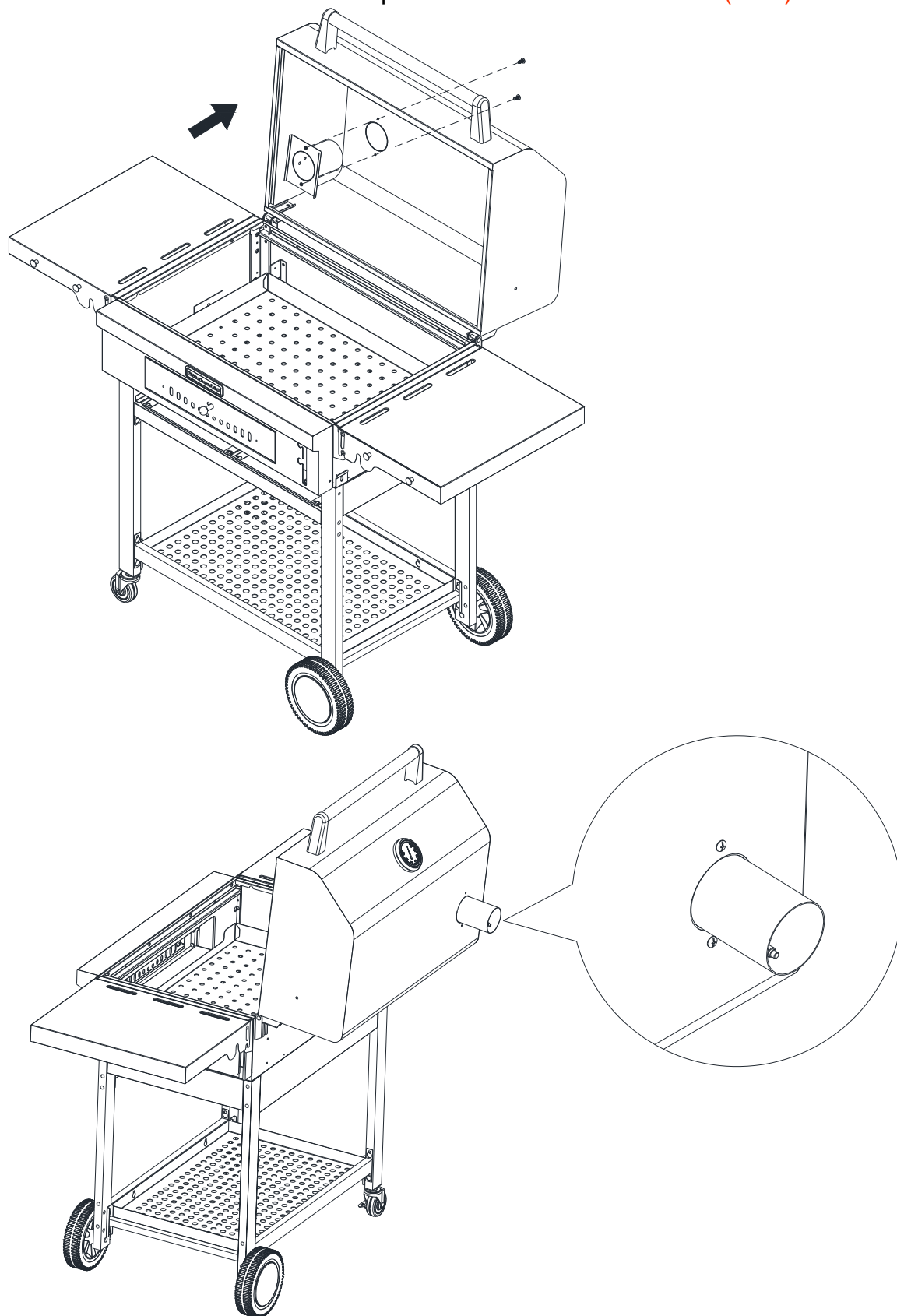
12b) Use 4 pieces W5/32"-32x2/5"screws (FF-2) from the bottom of side shelf trim piece (J&K) to the top as shown. Use 2 pieces for left , 2 pieces for right.



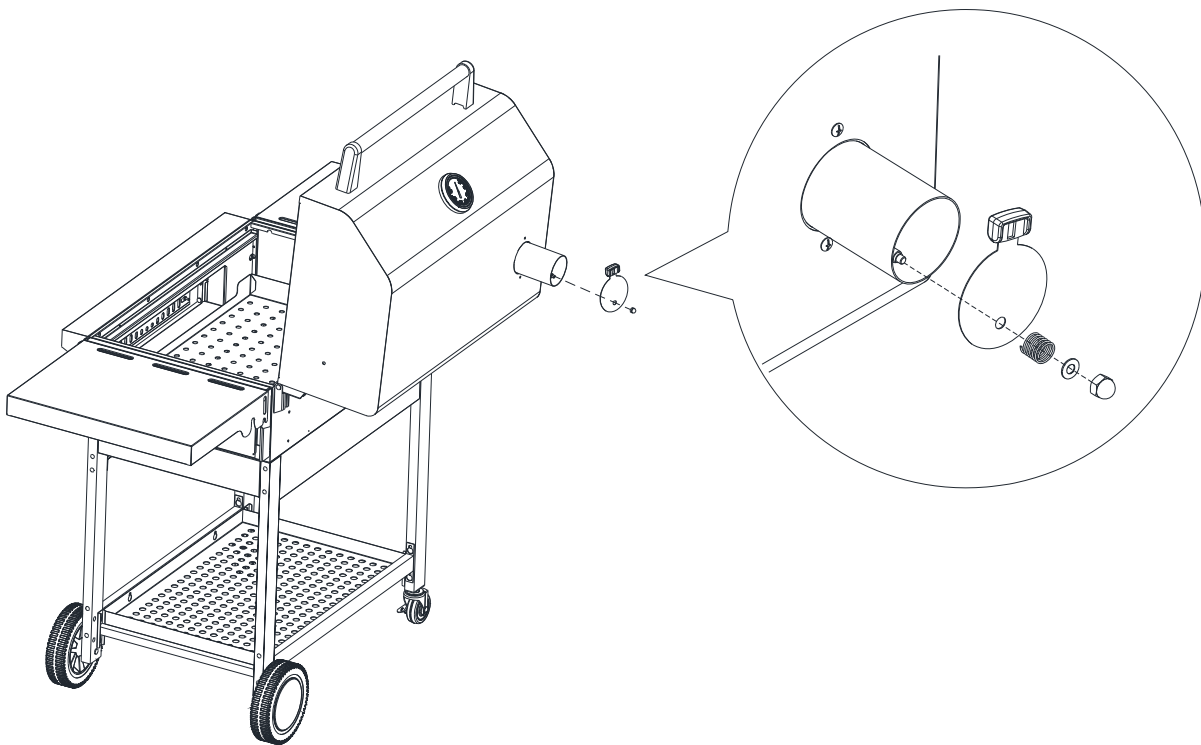
13. Install the left and right side shelves (F&G) using 4 pieces 1/4-in.x15-mm stage screw (FF-5) as shown.



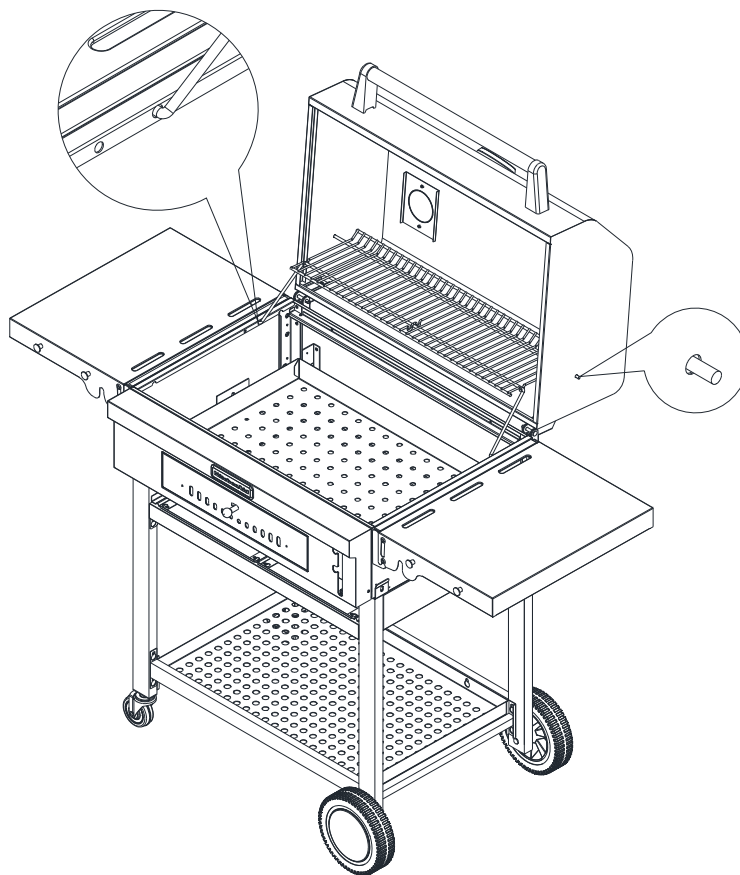
14. Insert the charcoal chimney (AB) from inside lid to outside. Seat the chimney to the inside of the lid, then attach it onto the hood with the 2 pieces W5/32"-32x2/5" screws (FF-2) and tighten.



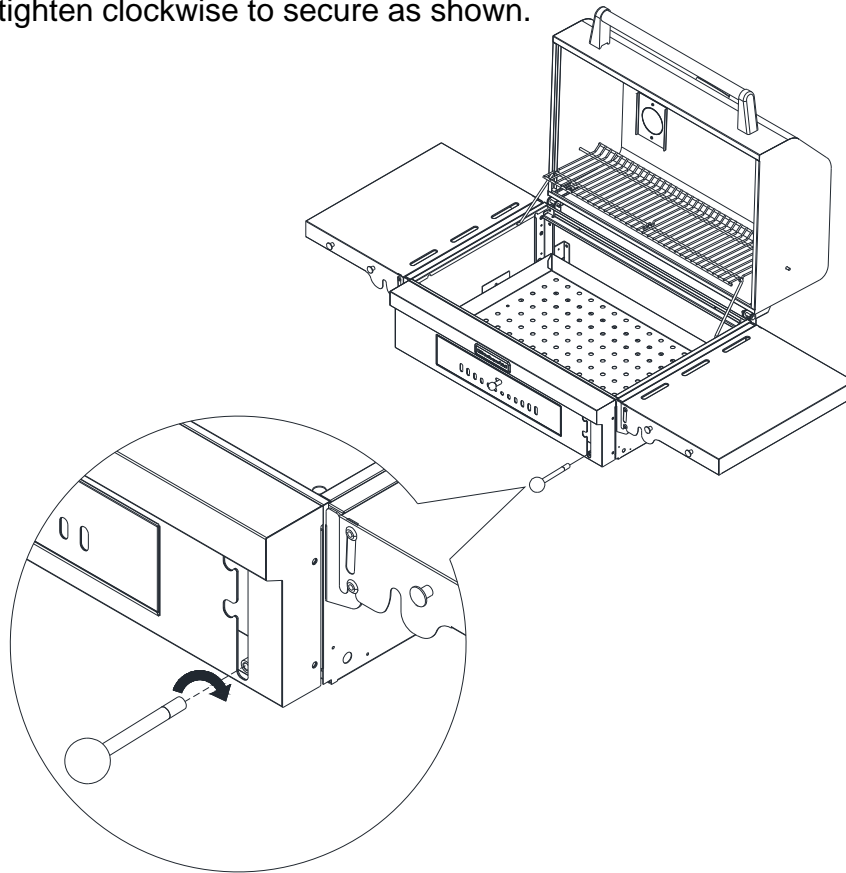
15. Attach the chimney lid (AC) onto the charcoal chimney (AB), then spring (FF-6) and then the washer (FF-4) and nut (FF-3). Tighten the nut (FF-3) in the end as shown.



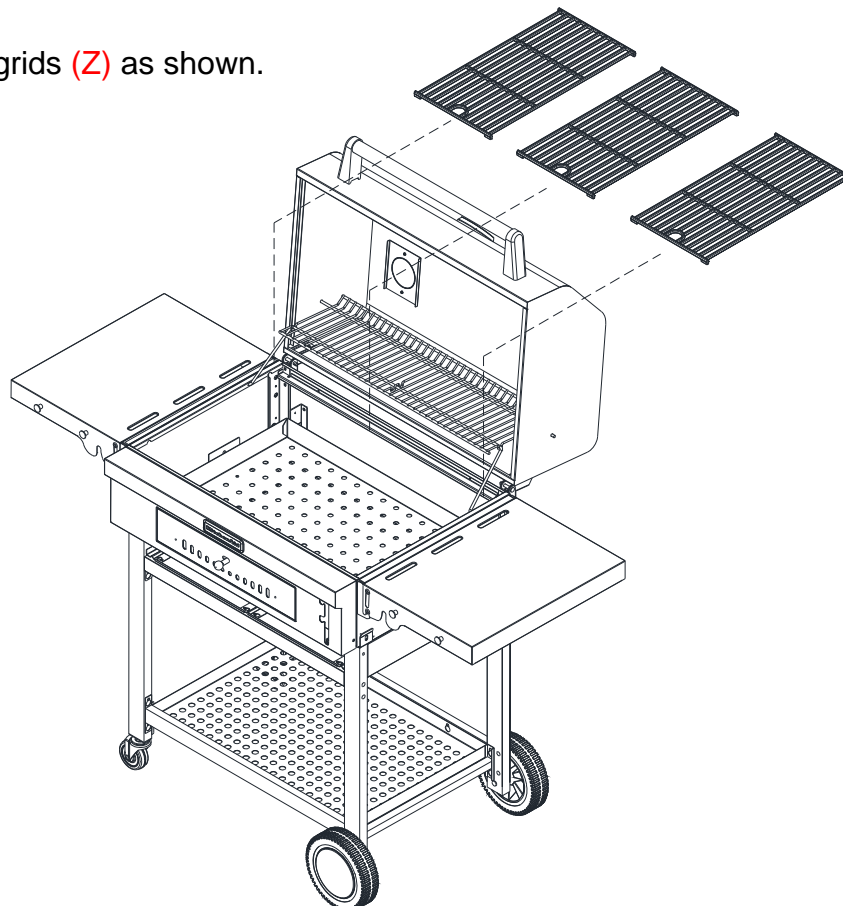
16. Insert 4 legs of the warming rack (AA) into two holes in firebox side panel back and two holes in lid as shown.



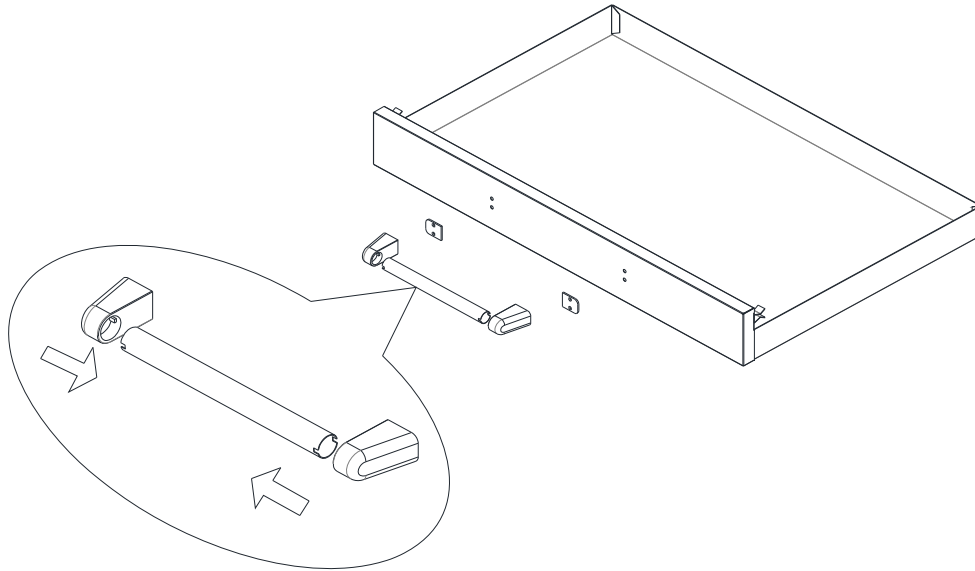
17. Place the charcoal pan control knob (AE) onto charcoal pan control rod located behind of control panel and tighten clockwise to secure as shown.



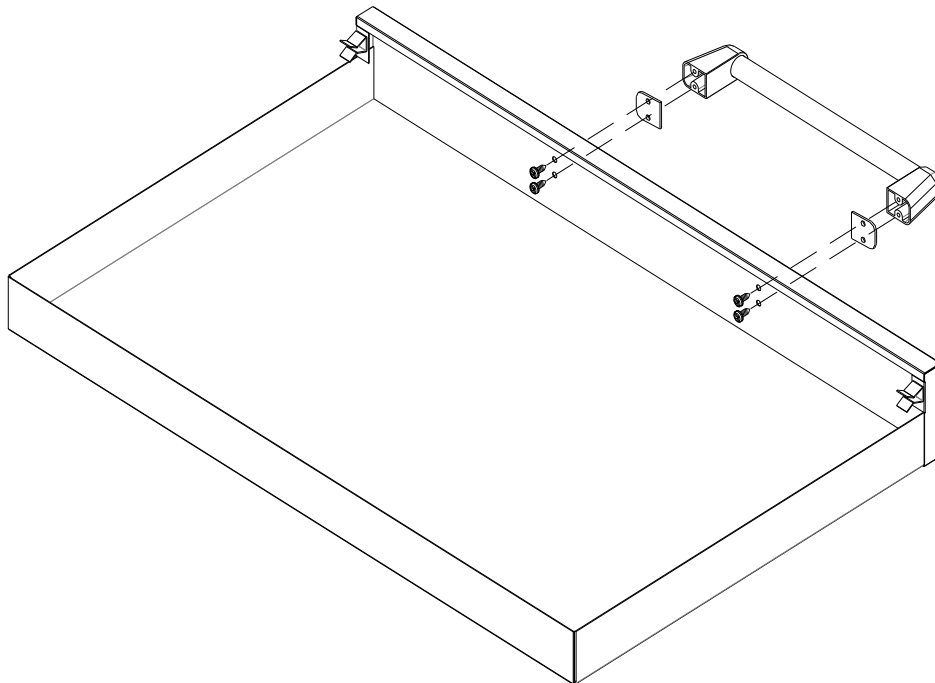
18. Install the cooking grids (Z) as shown.



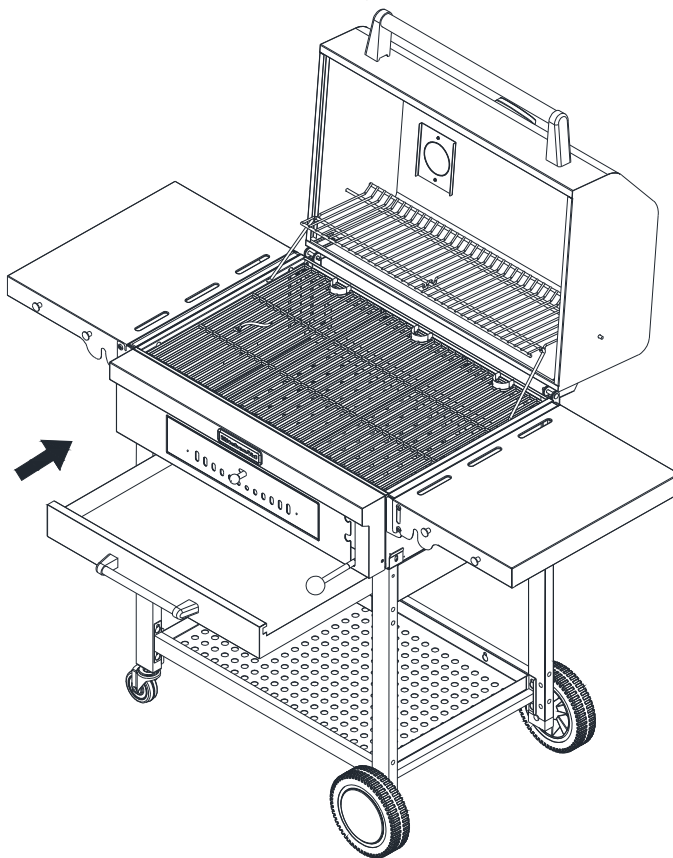
19. Insert the charcoal ash drawer handle tube (Y) into the charcoal ash drawer handle seat (X) and mica plates (S) as shown.



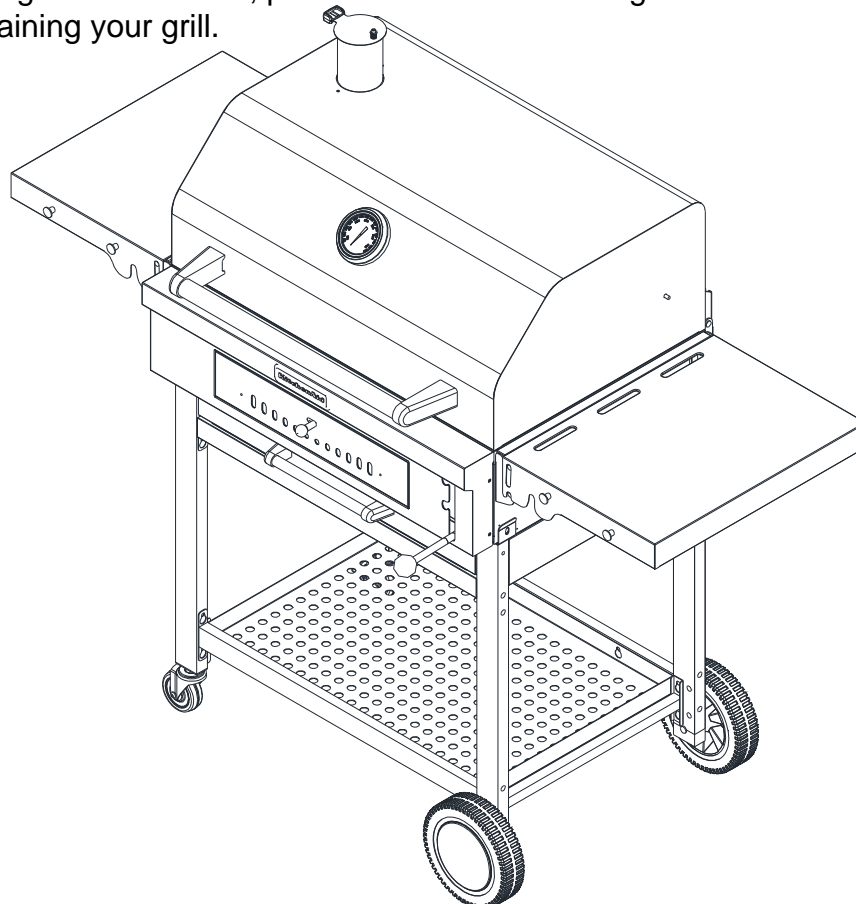
20. Use 4 pieces W5/32"-32x2/5" screws (FF-2) to tighten and screw the handle as shown.



21. Slide the charcoal ash drawer (R) into the grill cart as shown.



22. Before using your grill the first time, please see “Pre-seasoning the Charcoal Tray” for instructions on maintaining your grill.



OUTDOOR GRILL USE

Using Your Outdoor Grill

⚠️ WARNING



Fire Hazard

Do not use gasoline, or other flammable liquids to light or relight charcoal.

Using flammable liquids can cause a fire flashback.

Failure to follow these instructions can result in death, fire, or severe burns.

Charcoal Briquettes Lighting Instructions:

1. Open grill lid.
2. Remove grill grids (see "Grill Grid Removal & Grid Lifter")
3. Lift the charcoal tray handle to adjust charcoal pan to middle height position. (see "Charcoal Tray Handle Operation").
4. Pour charcoal briquettes into the charcoal pan and arrange into a pile. Note: Charcoal should not go above grill grid. Maximum recommended amount of charcoal is 8lb.
5. With the grill lid open, light the charcoal using one of the following types of charcoal lighting methods:
 - a. Compressed wood fiber stick / briquette fire starter
 - b. Chimney charcoal starter
 - c. Electric grill starter
 - d. Charcoal infused with lighter fluid (ready light charcoal briquettes)
 - e. Paper and wood(Follow all manufacturer's instructions regarding the use of their products).
6. With grill lid open, allow charcoal to burn until flames subside. Evenly spread the coals out in the bottom of the charcoal pan. NOTE: To extend the life of your grill, make sure that hot coals do not touch the walls of the grill.
7. Adjust charcoal pan handle to low position.
8. Replace the grill grids.

⚠️ WARNING

Food Poisoning Hazard

Do not let food sit for more than one hour before or after cooking.

Doing so can result in food poisoning or sickness.

Grilling/Searing

1. **Always wait for any charcoal flames to subside before placing food on cooking grid.**
2. Once briquettes are glowing, use the charcoal pan handle to adjust charcoal pan to desired cooking position.
3. Place food on grill grids and close grill lid.
4. Grill food to desired doneness, turning or flipping as necessary.

Regulating Heat

To raise, lower or maintain the burning intensity, more charcoal briquette may be needed or an adjustment to charcoal tray position or the front air ventilation may be needed. (see "Adjusting Temperatures and "Adding Charcoal Briquette During Cooking" section).

Add Charcoal Briquette During Cooking

Additional charcoal briquettes may be required to maintain or increase cooking temperature.

1. Open grill lid.
2. Using the charcoal pan handle, adjust the charcoal pan to the low position.
3. Remove the food from grill grid, then remove the grill grid.
4. Use cooking tongs add charcoal briquettes to the charcoal pan.
5. When the charcoal briquette is burning strong again, evenly spread them out in the bottom of the charcoal pan and adjust charcoal pan to desired cooking level.
6. Replace food on the grill grid.
7. Close the grill lid. Allow food to continue grilling. **23**

TIPS FOR OUTDOOR GRILLING

Operating Tips

Grill Grid Removal & Grid Lifter

When removing grill grids or adding charcoal briquettes use the grid lifter to remove grill grid to add charcoal briquettes to the charcoal pan. Do not leave the grid lifter inside the grill as it will get too hot to handle.

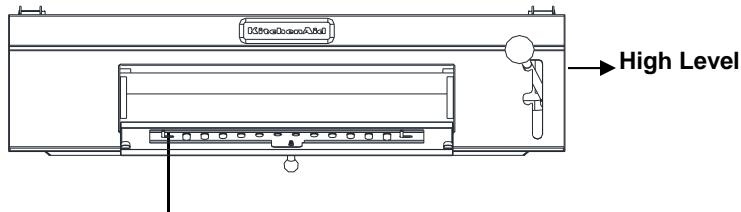
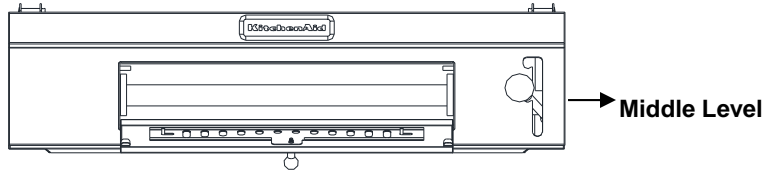
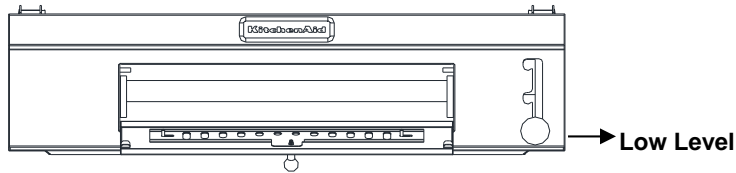


Charcoal grid lifter

ADJUSTING TEMPERATURE

Charcoal Tray Handle Operation

By lifting the charcoal pan handle, the charcoal pan can be raised or lowered to adjust the cooking heat at any time during cooking. Raising the pan increases direct heat. Lowering the pan reduces direct heat. Raise the tray after unit has cooled down completely to make it easier to brush left over ash into the ash tray. Do not raise the tray higher than halfway when fully loaded with fresh charcoal briquettes.

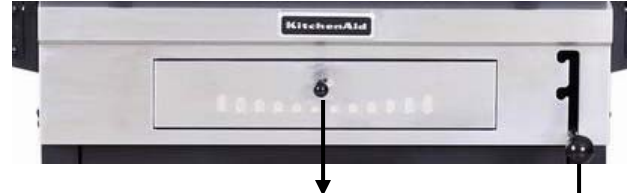


Charcoal pan

Ventilation Door Control Knob Operation

To open the ventilation door, pull the ventilation knob.

To adjust ventilation, move the ventilation knob to the right or left.



Charcoal ventilation control knob

Charcoal tray handle

To control the cooking temperature, shift the ventilation knob at the front of the grill to open and close the ventilation. To increase temperature, open the ventilation. To dampen temperature, close the ventilation.

NOTE: The temperature should not exceed 500° F. The temperature can be checked using the temperature gauge on the grill lid.

OUTDOOR GRILL CARE

General Cleaning

IMPORTANT: Before cleaning, make sure the grill is cool. Always follow label instructions on cleaning products.

For routine cleaning, wash with soap and water using a soft cloth or sponge. Rinse with clean water and dry at once with a soft, lint-free cloth to avoid spots and streaks.

Do not use steel wool to clean the grill, as it will scratch the surface.

To avoid weather damage to finish, use grill cover and store in a dry, protected location.

STAINLESS STEEL

IMPORTANT: To avoid damage to stainless steel surfaces, do not use soap-filled scouring pads, abrasive cleaners, cooktop polishing crème, steel wool, gritty wash cloths or paper towels. Cleaner should not contain chlorine. Damage may occur. Food spills should be cleaned as soon as entire grill is cool. Spills may cause permanent discoloration.

Cleaning Method:

- Rub in direction of grain to avoid scratching or damaging the surface.
- Stainless steel cleaner.
- Liquid detergent or all-purpose cleaner.
- Rinse with clean water and dry with soft, lint-free cloth.
- Vinegar to remove hard water spots.
- Glass cleaner to remove fingerprints.

EXTERIOR

The quality of this material resists most stains and pitting, providing that the surface is kept clean, polished and covered.

- Apply stainless steel polish to all non-cooking areas before first use. Reapply after each cleaning to avoid permanent damage to surface.
- Cleaning should always be followed by rinsing with clean warm water. Wipe the surface completely dry with a soft cloth.
- For tough spots or baked-on grease, use a commercial degreaser stainless steel.

INTERIOR

Pre-seasoning the Charcoal Tray

Before using your grill the first time, the charcoal tray needs to be seasoned to prevent rusting.

1. Make sure the charcoal tray is clean and does not have charcoal briquettes in it.
2. Rub or spray on a thin coat of cooking oil (avoid oils with salt content) over the entire charcoal tray.
3. Use the grill according to lighting instructions.

Cleaning the Charcoal Tray

To clean the charcoal tray after use, ensure all charcoal briquettes have cooled completely.

1. Sweep ash down through the charcoal tray holes into the ash tray. Empty ash drawer.
2. Avoid using soap as this will remove any oil coating pre-seasoned onto the charcoal grid. Use only water and a soft, non-abrasive material to clean if needed. Dry thoroughly.
3. Re-apply a thin coating of cooking oil to protect the tray while it is being stored for the next use.

ASSISTANCE

Before calling for assistance, please check "Troubleshooting." If you still need help, follow the instructions below.

When calling, please know the purchase date and the complete model and serial number of your appliance. This information will help us to better respond to your request.

If you need replacement parts

If you have questions or need to order replacement parts, contact Customer Service Center at **1-877-373-2301**.

Please direct all correspondence to:
Nexgrill Industries, Inc.
14050 Laurelwood Place, Chino, CA 91710

Please include a daytime phone number in your correspondence.

LIMITED WARRANTY (Model # 810-0021)

LIMITED WARRANTY (Model # 810-0021)

The manufacturer warrants to the original consumer-purchaser only that this product (*Model #810-0021*) shall be free from defects in workmanship and materials after correct assembly and under normal and reasonable home use for the periods indicated below beginning on the date of purchase. The manufacturer reserves the right to require photographic evidence of damage, or that defective parts be returned, postage and/or freight pre-paid by the consumer, for review and examination.

- Stainless Steel Parts:** 3 Year LIMITED warranty against perforation, does not cover cosmetic issue like surface corrosion, scratched and rust .
- ALL PARTS:** 1 year LIMITED warranty (Includes, but not limited to frame, housing, cart, control panel) **Does not cover chipping, scratching, cracking surface corrosion, scratches or rust.*

Upon consumer supplying proof of purchase as provided herein, Manufacturer will repair or replace the parts which are proven defective during the applicable warranty period. Parts required to complete such repair or replacement shall be free of charge to you except for shipping costs, as long as the purchaser is within the warranty period from the original date of purchase. The original consumer-purchaser will be responsible for all shipping charges of parts replaced under the terms of this limited warranty. This limited warranty is applicable in the United States and Canada only, is only available to the original owner of the product and is *not transferable*. Manufacturer requires reasonable proof of your date of purchase. Therefore, you should retain your sales receipt and/or invoice. If the unit was received as a gift, please ask the gift-giver to send in the receipt on your behalf, to the below address. Defective or missing parts subject to this limited warranty will not be replaced without registration or proof of purchase. This limited warranty applies to the functionality of the product ONLY and does not cover cosmetic issues such as scratches, dents, corruptions or discoloring by heat, abrasive and chemical cleaners or any tools used in the assembly or installation of the appliance, surface rust, or the discoloration of stainless steel surfaces. Surface rust, corrosion, or powder paint chipping on metal parts that does not affect the structural integrity of the product is not considered a defect in workmanship or material and is not covered by this warranty. This limited warranty will not reimburse you for the cost of any inconvenience, food, personal injury or property damage. If an original replacement part is not available, a comparable replacement part will be sent. You will be responsible for all shipping charges of parts replaced under the terms of this limited warranty.

MANUFACTURER WILL NOT PAY FOR:

- Service calls to your home.
- Repairs when your product is used for other than normal, single-family household or residential use.
- Damage resulting from accident, alteration, misuse, lack of maintenance/cleaning, abuse, fire, flood, acts of God, improper installation, and installation not in accordance with electrical or plumbing codes or misuse of product..
- Any food loss due to product failures.
- Replacement parts or repair labor costs for units operated outside the United States or Canada.
- Pickup and delivery of your product.
- Postage fees or photo processing fees for photos sent in as documentation.
- Repairs to parts or systems resulting from unauthorized modifications made to the product.
- The removal and/or reinstallation of your product.
- Shipping cost, standard or expedited, for warranty/non warranty and replacement parts.

DISCLAIMER OF IMPLIED WARRANTIES; LIMITATION OF REMEDIES

Repair or replacement of defective parts is your exclusive remedy under the terms of this limited warranty. Manufacturer will not be responsible for any consequential or incidental damages arising from the breach of either this limited warranty or any applicable implied warranty, or for failure or damage resulting from acts of God, improper care and maintenance, grease fire, accident, alteration, replacement of parts by anyone other than manufacturer, misuse, transportation, commercial use, abuse, hostile environments (inclement weather, acts of nature, animal tampering), improper installation or installation not in accordance with local codes or printed manufacturer instructions.

THIS LIMITED WARRANTY IS THE SOLE EXPRESS WARRANTY GIVEN BY THE MANUFACTURER. NO PRODUCT PERFORMANCE SPECIFICATION OR DESCRIPTION WHEREVER APPEARING IS WARRANTED BY MANUFACTURER EXCEPT TO THE EXTENT SET FORTH LIMITED WARRANTY. ANY IMPLIED WARRANTY PROTECTION ARISING UNDER THE LAWS OF ANY STATE, INCLUDING IMPLIED WARRANTY OF MERCHANTABILITY OR FITNESS FOR A PARTICULAR PURPOSE OR USE, IS HEREBY LIMITED IN DURATION TO THE DURATION OF THIS LIMITED WARRANTY.

Neither dealers nor the retail establishment selling this product has any authority to make any additional warranties or to promise remedies in addition to or inconsistent with those stated above. Manufacturer's maximum liability, in any event, shall not exceed the documented purchase price of the product paid by the original consumer. This warranty only applies to units purchased from an authorized retailer and or re-seller. NOTE: Some states do not allow an exclusion or limitation of incidental or consequential damages, so some of the above limitations or exclusions may not apply to you; this limited warranty gives you specific legal rights as set for herein. You may also have other rights which vary from state to state.

If you wish to obtain performance of any obligation under this limited warranty, you should write to:

**Nexgrill Customer Relations
14050 Laurelwood Place,
Chino, CA 91710**

All consumer returns, parts orders, general questions, and troubleshooting assistance can be acquired by calling : 1-877-373-2301

SEGURIDAD DEL ASADOR PARA EXTERIORES

Su seguridad y la seguridad de los demás es muy importante.

Hemos incluido muchos mensajes importantes de seguridad en este manual y en su electrodoméstico. Lea y obedezca siempre todos los mensajes de seguridad.



Este es el símbolo de advertencia de seguridad.

Este símbolo le llama la atención sobre peligros potenciales que pueden ocasionar la muerte o una lesión a usted y a los demás.

Todos los mensajes de seguridad irán a continuación del símbolo de advertencia de seguridad y de la palabra "PELIGRO" o "ADVERTENCIA". Estas palabras significan:

 **PELIGRO**

Si no sigue las instrucciones de inmediato, usted puede morir o sufrir una lesión grave.

 **ADVERTENCIA**

Si no sigue las instrucciones, usted puede morir o sufrir una lesión grave.

Todos los mensajes de seguridad le dirán el peligro potencial, le dirán cómo reducir las posibilidades de sufrir una lesión y lo que puede suceder si no se siguen las instrucciones.

Advertencias de la Proposición 65 del estado de California:

ADVERTENCIA: Este producto contiene una o más sustancias químicas identificadas por el estado de California como causantes de cáncer.

ADVERTENCIA: Este producto contiene una o más sustancias químicas identificadas por el estado de California como causantes de defectos congénitos o algún otro tipo de daños en la función reproductora.

INSTRUCCIONES DE SEGURIDAD IMPORTANTES

IMPORTANTE: Para reducir el peligro de incendio, lesiones y daños al usar su dispositivo de cocción en exteriores, siga las siguientes precauciones básicas.

- No instale dispositivos de cocción portátiles o empotrados en un vehículo recreativo, remolque, bote o cualquier otra instalación móvil.
- Mantenga siempre un libramiento mínimo de la construcción combustible; vea la sección "Requisitos de ubicación".
- Los dispositivos de cocción para exteriores no deben situarse en una construcción combustible desprotegida.
- El dispositivo de cocción para exteriores debe usarse únicamente en exteriores y no en una cochera o en otra área cerrada.
- Mantenga el dispositivo de cocción para exteriores despejado y lejos de materiales combustibles, gasolina y demás vapores y líquidos inflamables.
- Este asador puede ponerse muy caliente cuando se usa. No lo mueva mientras esté en funcionamiento.
- No use alcohol, gasolina o líquidos semejantes para encender o reencender el asador.
- No use este asador como calefactor.
- El asador debe usarse en una superficie estable, nivelada, no inflamable como asfalto, concreto o tierra apisonada. No utilice este asador sobre un material inflamable tal como una alfombra o piso de madera.
- No utilice este producto con otro fin que no sea para el que fue diseñado.
- No descuide el asador mientras lo esté utilizando.
- Preste atención a las cenizas calientes hasta que el asador se haya enfriado por completo.
- No mueva el asador mientras lo esté utilizando o mientras las cenizas aún estén calientes. Antes de mover o guardar el asador, espere a que se enfríe por completo.
- Deseche las cenizas frías colocándolas en un recipiente incombustible. Revise que no haya materias combustibles en el recipiente o cerca de él.

GUARDE ESTAS INSTRUCCIONES

REQUISITOS DE INSTALACIÓN

Herramientas y piezas

Reúna las herramientas y piezas requeridas antes de empezar la instalación. Lea y siga las instrucciones adjuntas con cualquiera de las herramientas mencionadas.

Herramientas Necesarias

- Destornillador tipo Phillips
- Tijeras o pinzas de corte (para quitar las amarras)
- Llave inglesa o pinzas

Requisitos de ubicación

ADVERTENCIA

Peligro de Intoxicación con Monóxido de Carbono

No use el asador a carbón en áreas cerradas tales como garages, carpas o interiores.

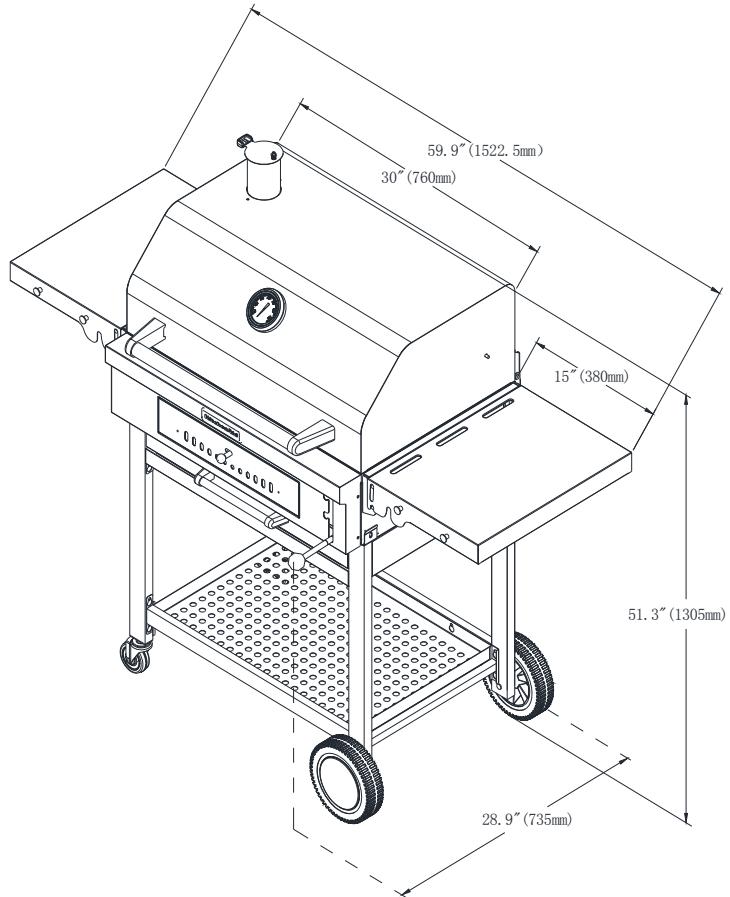
El hacerlo puede provocar la muerte o intoxicación con monóxido de carbono.

Seleccione un lugar que tenga la menor exposición al viento y al tránsito. La ubicación debe estar alejada de áreas con corrientes de aire fuertes.

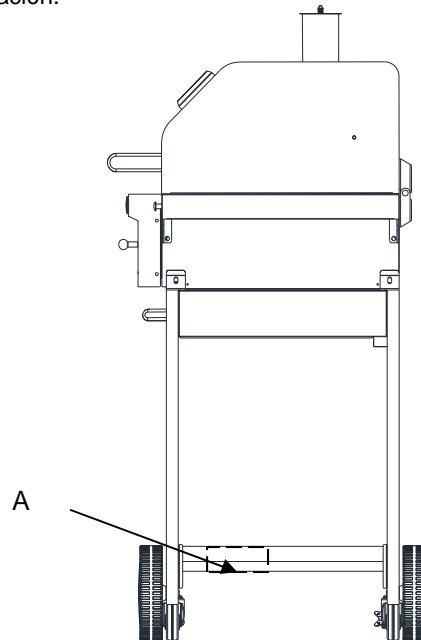
Libramiento del asador y la construcción combustible:

- Debe de mantenerse un mínimo de 91.4 cm (36") entre el frente de la campana, los costados y la parte trasera del asador y cualquier construcción combustible.
- También debe mantenerse un libramiento mínimo de 91.4 cm (36") por debajo de la superficie de cocción; el asador no debe usarse por debajo de una construcción combustible saliente.

Medidas del producto

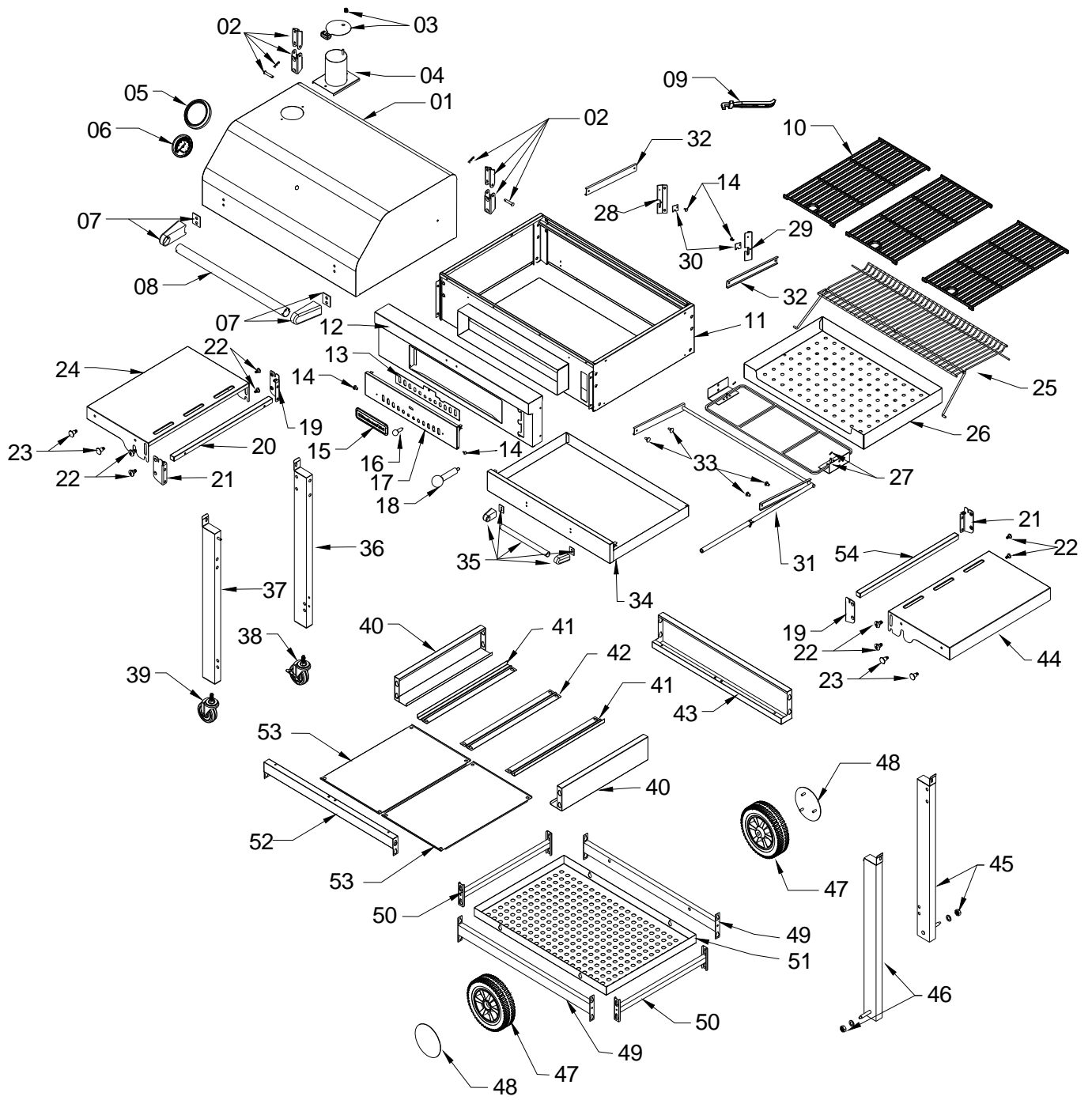


La placa de clasificación con el número de modelo y de serie está situada en el lado derecho del carro. Vea la siguiente ilustración.



A. Placa con el número de modelo/serie





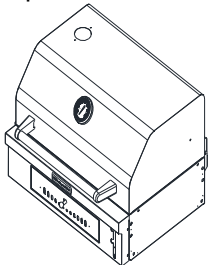
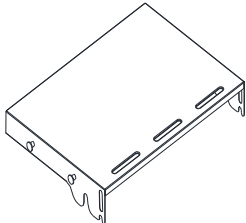
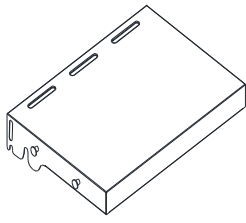
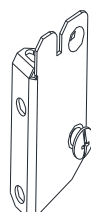
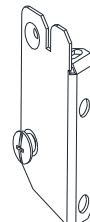

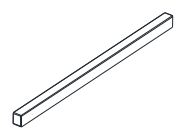
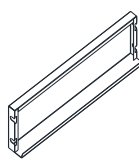
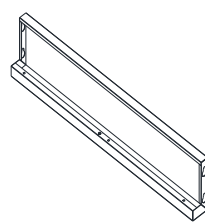


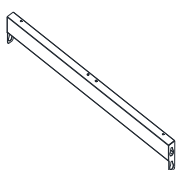
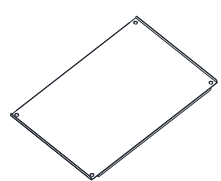
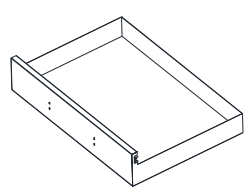
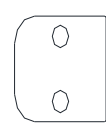
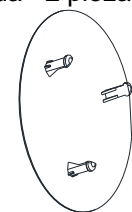
PIEZAS DE REPUESTO

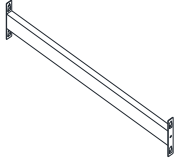
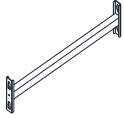
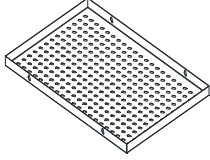

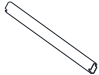
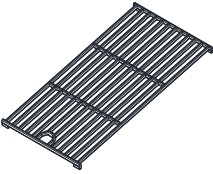
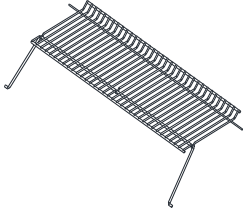
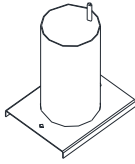
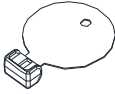
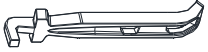
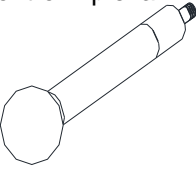
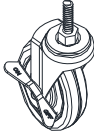

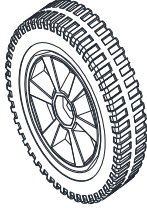


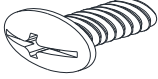

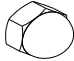

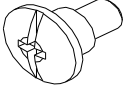
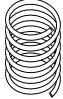
LISTA DE PIEZAS

No.	Pieza (Descripción)	Garantía cobertura	CANT.	No.	Pieza (Descripción)	Garantía cobertura	CANT.
1	Tapa principal	1	1	28	Abrazadera izquierda en L de ajuste de la bandeja de carbón	1	1
2	Bisagra de la tapa principal	1	2	29	Abrazadera derecha en L de ajuste de la bandeja de carbón	1	1
3	Tapa de la chimenea	1	1	30	Abrazadera de sujeción de la varilla para levantar la bandeja de carbón	1	2
4	Chimenea de carbón	1	1	31	Ensamble trasero de ajuste de la bandeja de carbón	1	1
5	Medidor de temperatura carcasa	1	1	32	Broche de conexión del ensamble de ajuste de la bandeja de carbón	1	1
6	Medidor de temperatura	1	1	33	Ensamble delantero de ajuste de la bandeja de carbón	1	1
7	Asiento de la tapa principal	1	2	34	Charola de cenizas del carbón	1	1
8	Tubo de la tapa principal	3	1	35	Mango de la charola de cenizas del carbón Ensamble	1	1
9	Elevador de la parrilla de cocción	1	1	36	Pata izquierda trasera del carro	1	1
10	Rejilla de cocción con agujero	3	3	37	Pata delantera izquierda del carro	1	1
11	Embudo de carbón ensamble	No reemplazable	1	38	Rueda giratoria con freno	1	1
12	Panel de control principal	1	1	39	Rueda giratoria	1	1
13	Abrazadera de ajuste de la ventilación	1	1	40	Panel lateral de soporte del fogón	1	2
14	Tornillo tira fondo A	1	4	41	Abrazadera lateral del soporte de la charola de cenizas del carbón	1	2
15	Logotipo	1	1	42	Abrazadera central del soporte de la charola de cenizas del carbón	1	1
16	Puerta de ventilación Perilla de control	1	1	43	Panel trasero de soporte del fogón	1	1
17	Panel de ventilación	1	1	44	Estante lateral derecho	1	1
18	Control de la bandeja de carbón perilla	1	1	45	Pata derecha trasera del carro	1	1
19	Soporte del estante lateral abrazadera A	1	2	46	Pata derecha frontal del carro	1	1
20	Moldura del estante lateral izquierdo	1	1	47	Rueda	1	2
21	Soporte del estante lateral abrazadera B	1	2	48	Cubierta de la rueda	1	2
22	Tornillo tira fondo del estante lateral	1	8	49	Travesaño del panel inferior A	1	2
23	Gancho del estante lateral	1	4	50	Travesaño del panel inferior B	1	2
24	Estante lateral izquierdo	1	1	51	Panel inferior	1	2
25	Plataforma calentadora	1	1	52	Balancín delantero del carro	1	1
26	Bandeja de carbón	1	1	53	Panel de la pantalla contra el calor	1	2
27	Soporte de la bandeja de carbón	1	1				

PAQUETE LISTA DE CONTENIDO

<p>A. Pata frontal izquierda - 1 pieza</p> 	<p>B. Pata frontal derecha - 1 pieza</p> 	<p>C. Pata trasera izquierda - 1 pieza</p> 	<p>D. Pata trasera derecha - 1 pieza</p> 	<p>E. Ensamble del fogón - 1 pieza</p> 
<p>F. Estante lateral izquierdo - 1 pieza</p> 	<p>G. Estante lateral derecho - 1 pieza</p> 	<p>H. Soporte del estante lateral abrazadera A - 2 piezas</p> 	<p>I. Soporte del estante lateral abrazadera B - 2 piezas</p> 	<p>J. Moldura del estante lateral izquierda - 1 pieza</p> 
<p>K. Moldura del estante lateral derecha - 1 pieza</p> 	<p>L. Paneles laterales - 2 piezas</p> 	<p>M. Panel trasero - 1 pieza</p> 	<p>N. soporte de la charola de cenizas abrazadera lateral - 2 piezas</p> 	<p>O. soporte de la charola de cenizas abrazadera central - 1 pieza</p> 
<p>P. Balancín delantero del carro - 1 pieza</p> 	<p>Q. Pantalla térmica panel - 2 piezas</p> 	<p>R. Charola de cenizas - 1 pieza</p> 	<p>S. Placa de mica B - 2 piezas.</p> 	<p>T. Cubierta de la rueda - 2 piezas</p> 

<p>U. Panel inferior travesaño A - 2 piezas</p> 	<p>V. Panel inferior travesaño B - 2 piezas</p> 	<p>W. Panel inferior - 1 pieza</p> 	<p>X. Mango de la charola de cenizas - 2 piezas</p> 	<p>Y. Mango de la charola de cenizas - 1 pieza</p> 
<p>Z. Parrilla de cocción - 3 piezas</p> 	<p>AA. Plataforma calentadora - 1 pieza</p> 	<p>AB. Chimenea - 1 pieza</p> 	<p>AC. Tapa de la chimenea - 1 pieza</p> 	<p>AD. Elevador de la parrilla - 1 pieza</p> 
<p>AE. Bandeja de carbón perilla de control 1 pieza</p> 	<p>AF. Rueda giratoria con freno - 1 pieza</p> 	<p>AG Rueda giratoria - 1 pieza</p> 	<p>AI. Rueda - 2 piezas</p> 	

Lista completa de tornillos preensamblados		
FF-1	<p>Tornillo W1/4"-20x3/5"</p> 	12piezas
FF-2	<p>Tornillo W5/32"-32x2/5"</p> 	14piezas
FF-3	<p>Tuerca W1/4"-20</p> 	1pieza
FF-4	<p>Arandela M6</p> 	1pieza
FF-5	<p>Tornillo tira fondo A 1/4-in.x15-mm</p> 	4piezas
FF-6	<p>Resorte de la tapa de la chimenea</p> 	1pieza

INSTRUCCIONES DE INSTALACIÓN

Instalación del asador autónomo para exteriores

⚠️ ADVERTENCIA

Peligro de Peso Excesivo

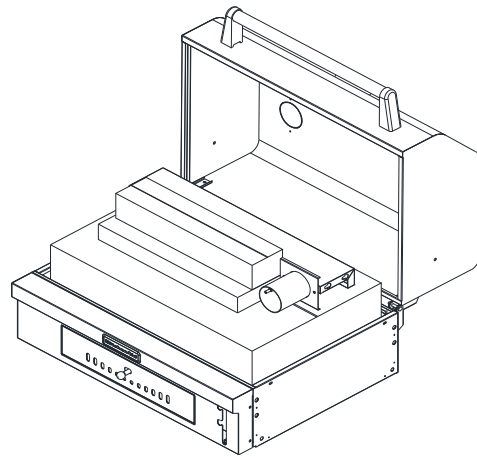
Use dos o más personas para mover e instalar el asador.
No seguir esta instrucción puede ocasionar una lesión en la espalda u otro tipo de lesiones.

Desempaque el asador

1. Quite todo el material de empaque y saque el asador de la base de envío.
2. Lleve el asador al lugar deseado en exteriores.
3. Abra la campana del asador.

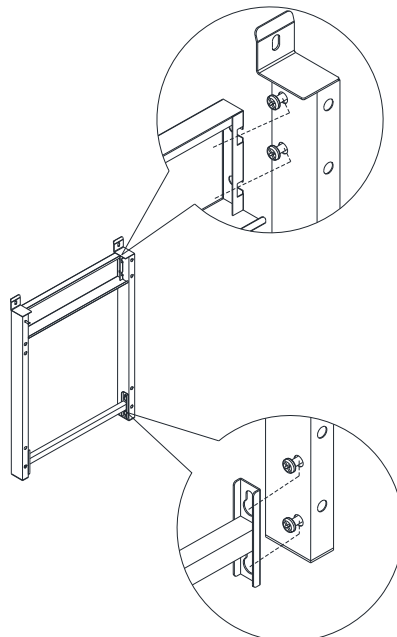
Quite el material de empaque de adentro del asador.

1. Con una tijeras corte las tiras amarillas y la cinta de empaque para abrir la caja por arriba y sacar las cajas.
2. Quite la plataforma de calentamiento y las rejillas desde adentro del asador y quite el empaque de adentro del fogón.
3. Quite el bloque y la envoltura de poliestireno de adentro de la parrilla.

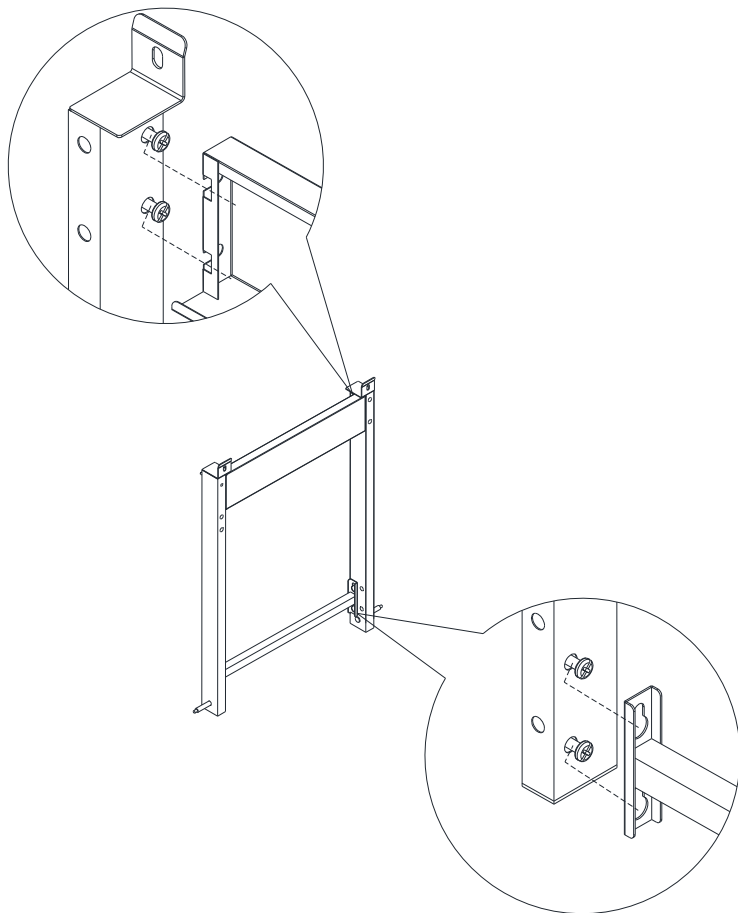


Ensamble de la parrilla

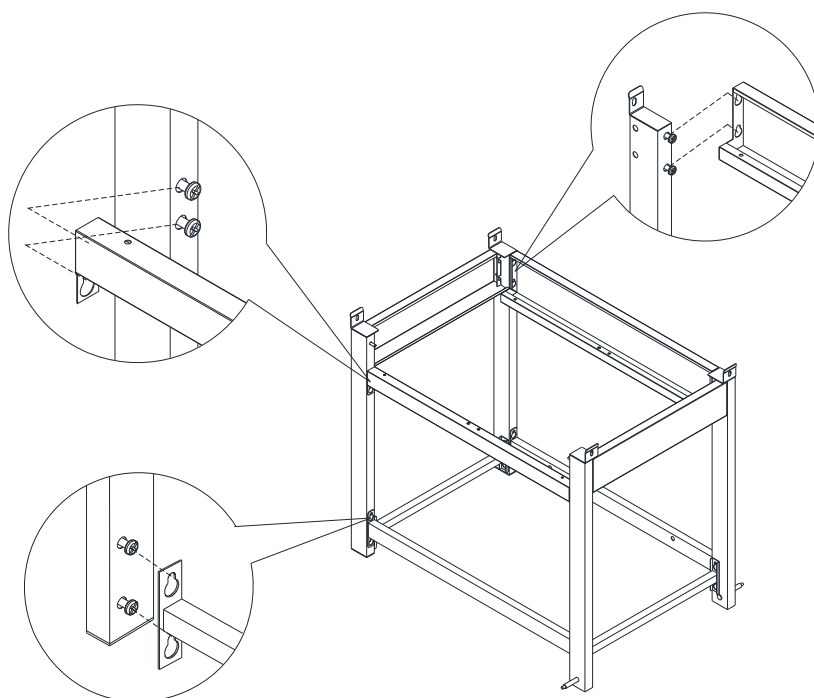
1. Afloje los dos tornillos de arriba y abajo de las dos patas (A&C), coloque el panel lateral (L) arriba, el travesaño abajo, inserte los tornillos y apriételos como se muestra.



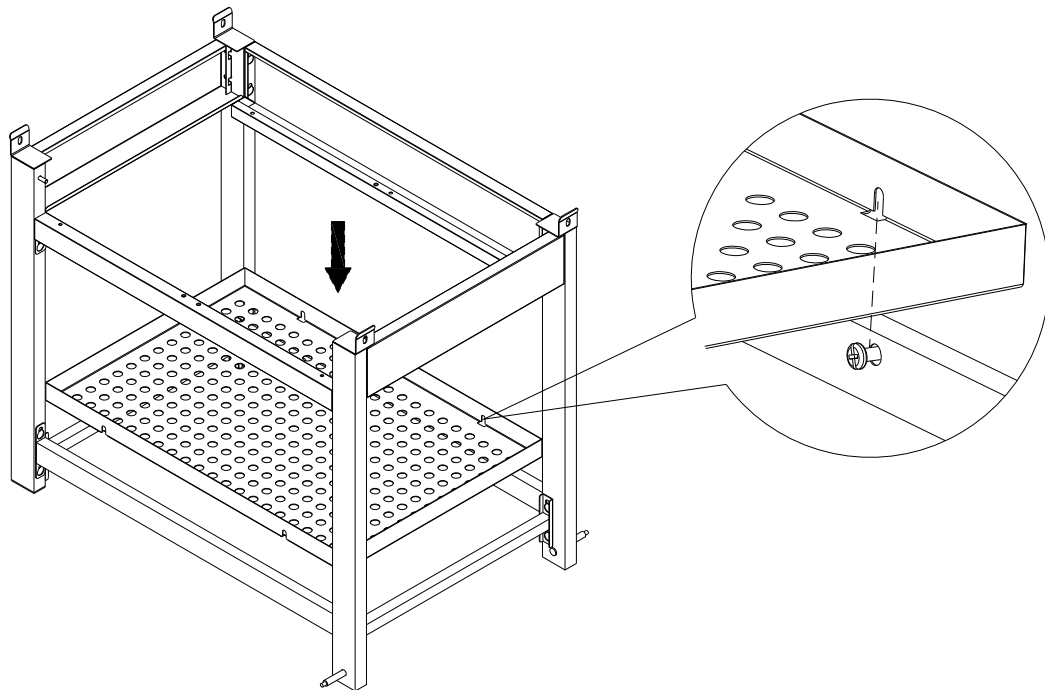
2. Afloje los dos tornillos de arriba y abajo de las dos patas (B&D), coloque el panel lateral (L) arriba, el travesaño (V) abajo, inserte los tornillos y apriételos como se muestra.



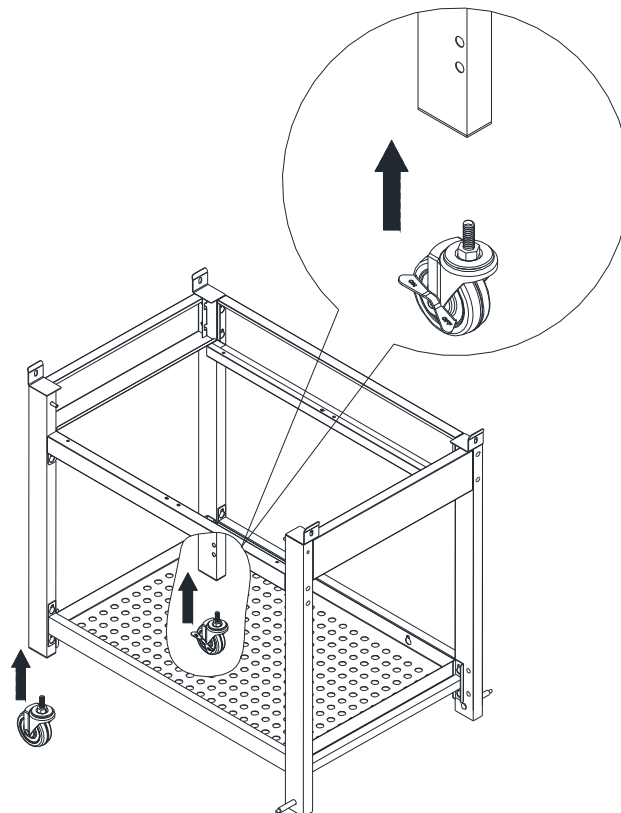
3. Afloje los tornillos de la cara interna de la pata, deslice el travesaño (P) y el panel trasero (M) y después apriete los tornillos como se muestra.



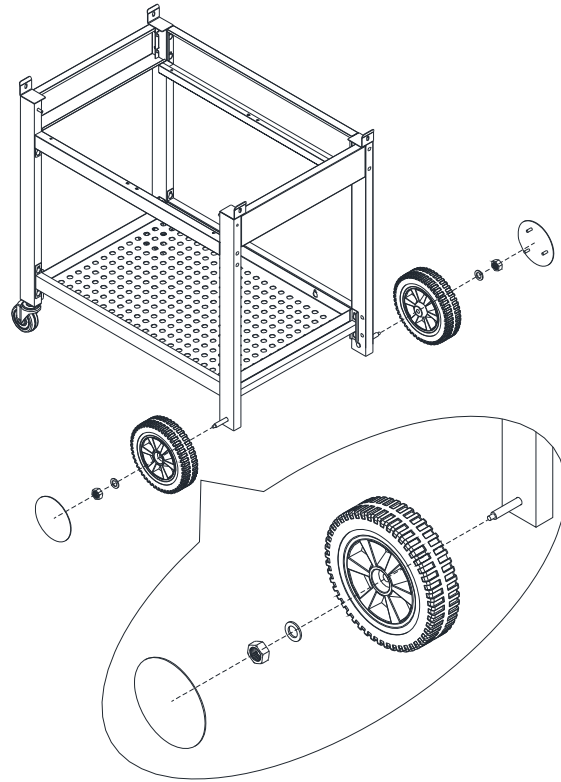
4. Afloje los tornillos de la cara interna del travesaño (U) frontal y trasero del fondo, después deslice el panel inferior (W) en los tornillos y apriételos como se muestra.



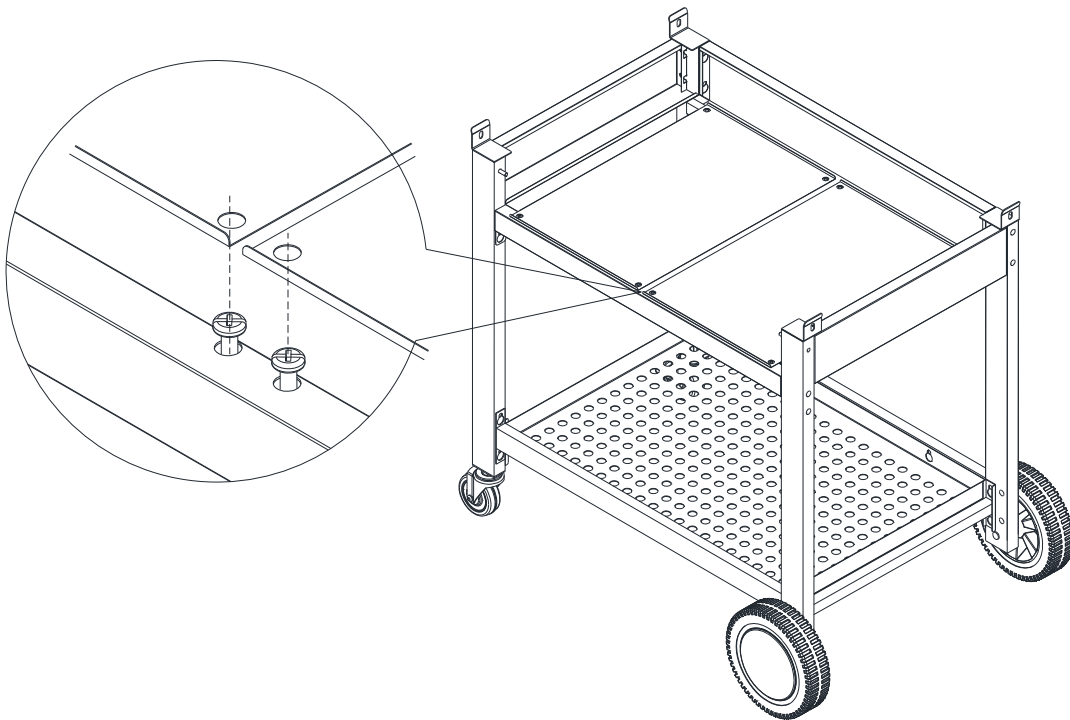
5. Atornille la rueda sin freno (AG) en la pata frontal (A) y la rueda con freno (AF) en la pata trasera (C), como se muestra.



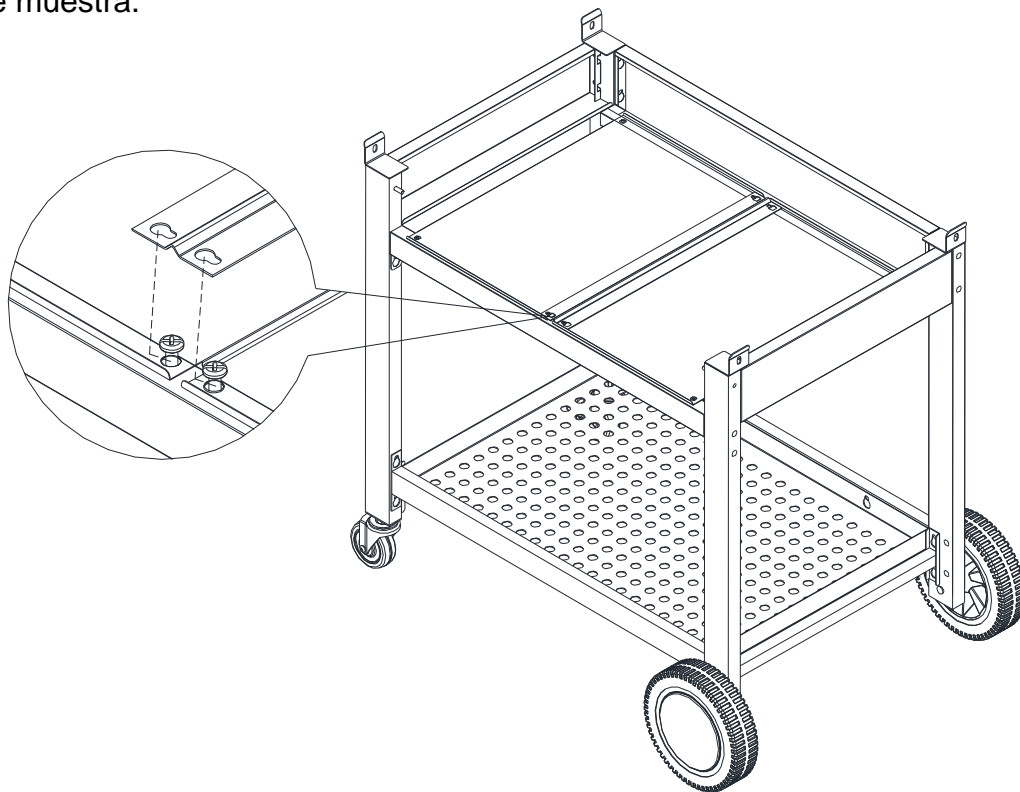
6. Quite la cubierta (T), saque los tornillos y arandela del eje de las patas, después ensamble las ruedas (AH) en el eje; coloque las arandelas (FF-4), las tuercas (FF-3) y apriete. Coloque la cubierta como se muestra.



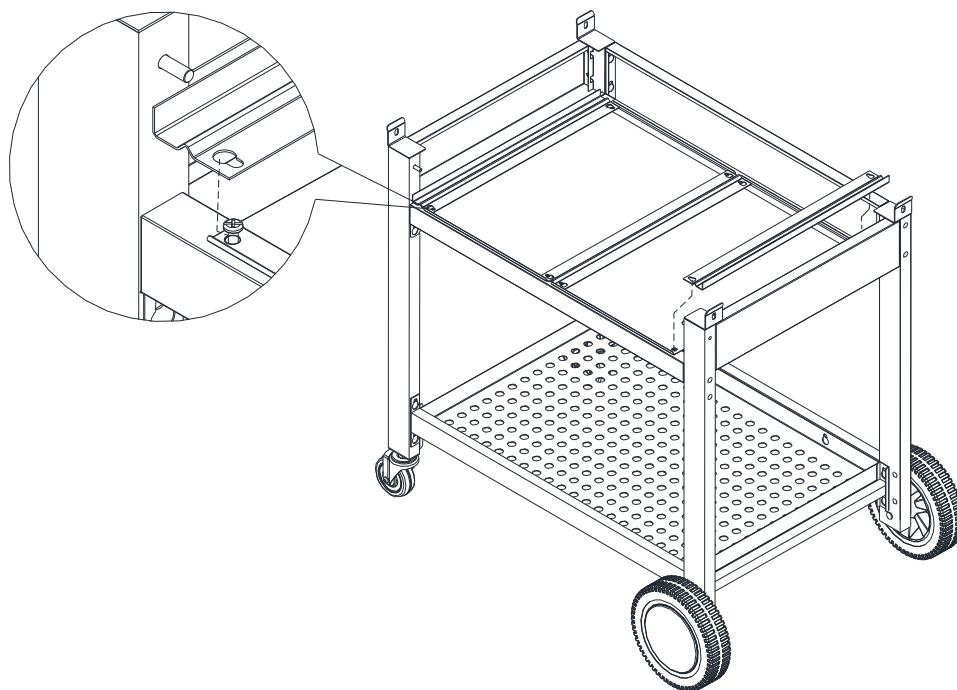
7. Afloje los ocho tornillos en el travesaño (P) superior y el panel trasero (M). Después coloque los dos paneles (Q) y deslice en el agujero como se muestra. No apriete los tornillos en este paso.



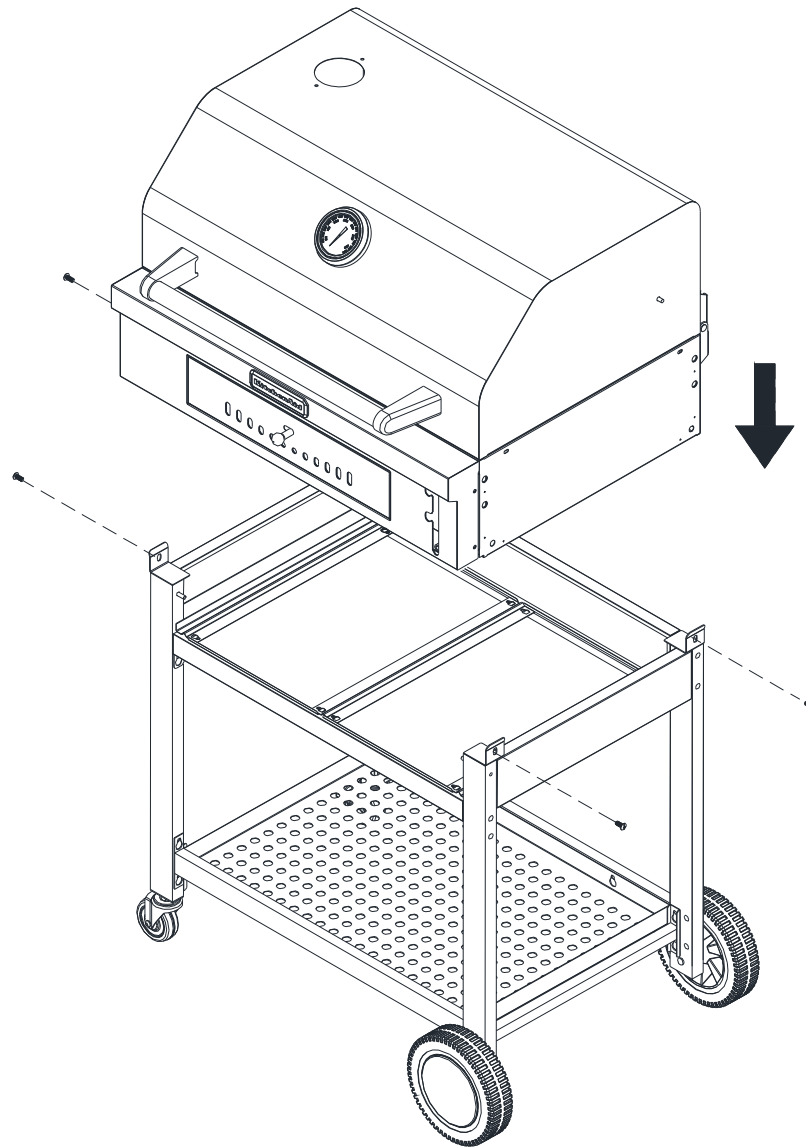
8. Coloque la abrazadera (O) en el centro, después deslice en los agujeros y apriete los tornillos como se muestra.



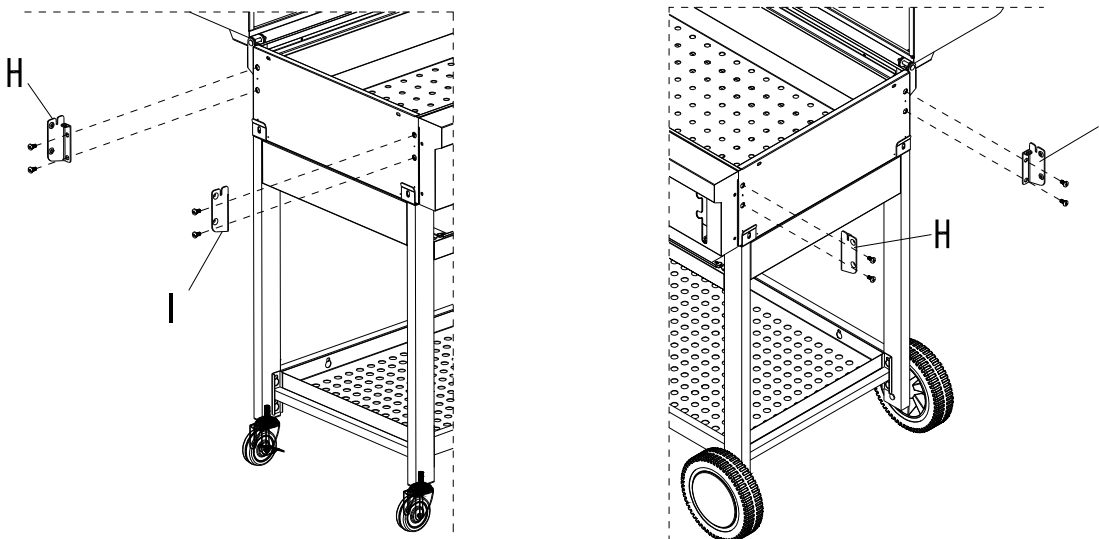
9. Coloque la abrazadera (N) en los lados derecho e izquierdo, después deslice en los agujeros y apriete los tornillos como se muestra.



10. Coloque el ensamble del fogón (E) en el carro; después use 4 piezas W 1/4" - 20x3/5" (FF-1) para atornillar el fogón a la pata como se muestra.

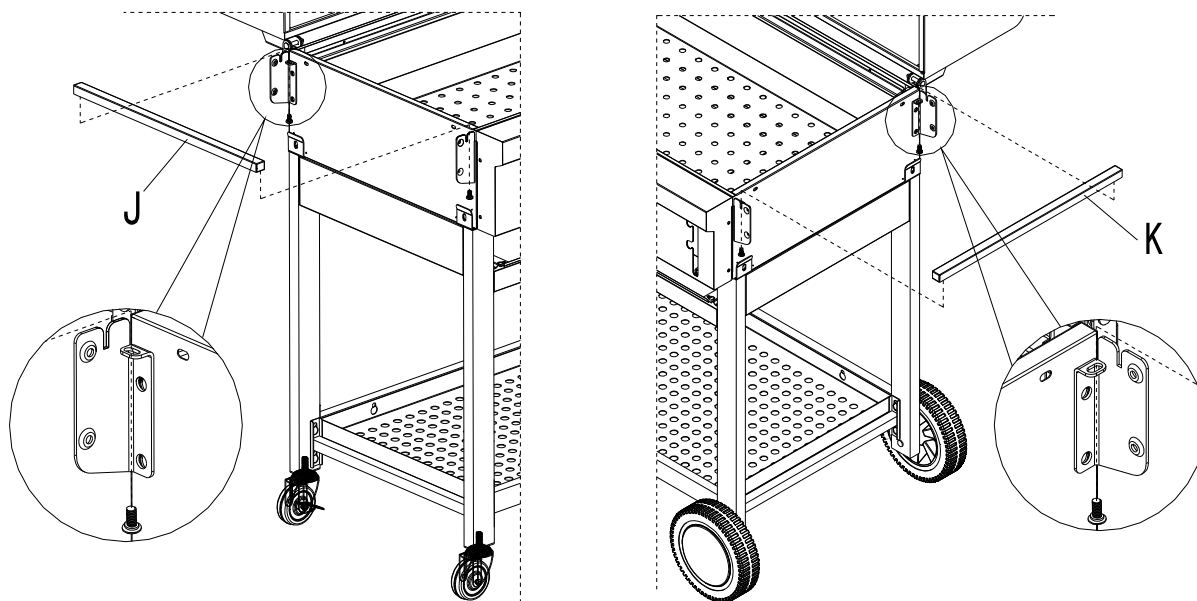


11. Use 8 tornillos w 1/4" - 20x3/5" (FF-1) para ensamblar las cuatro abrazaderas (H&I) en las cuatro esquinas externas del fogón como se muestra.

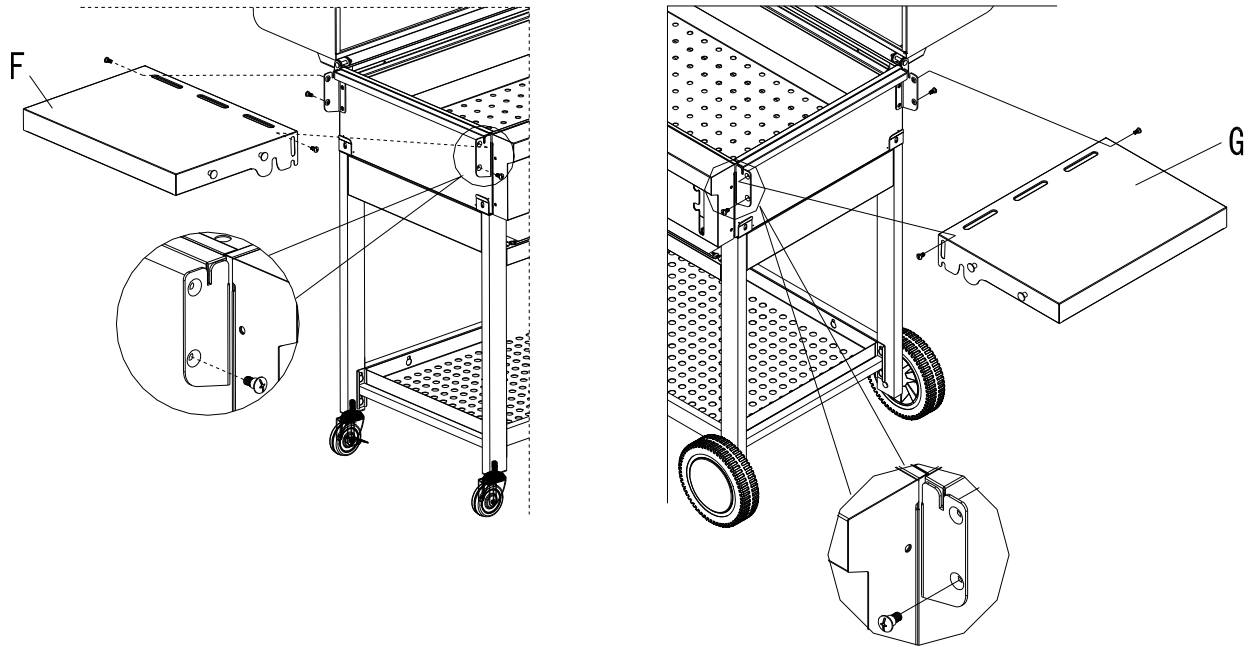


12a). Use 4 tornillos W 5/32" - 32x2/5" (FF-2) del fogón, de adentro hacia afuera, para ensamblar las molduras del estante (J&K) izquierdo y derecho, como se muestra. Son 2 tornillos para el lado izquierdo y 2 para el derecho.

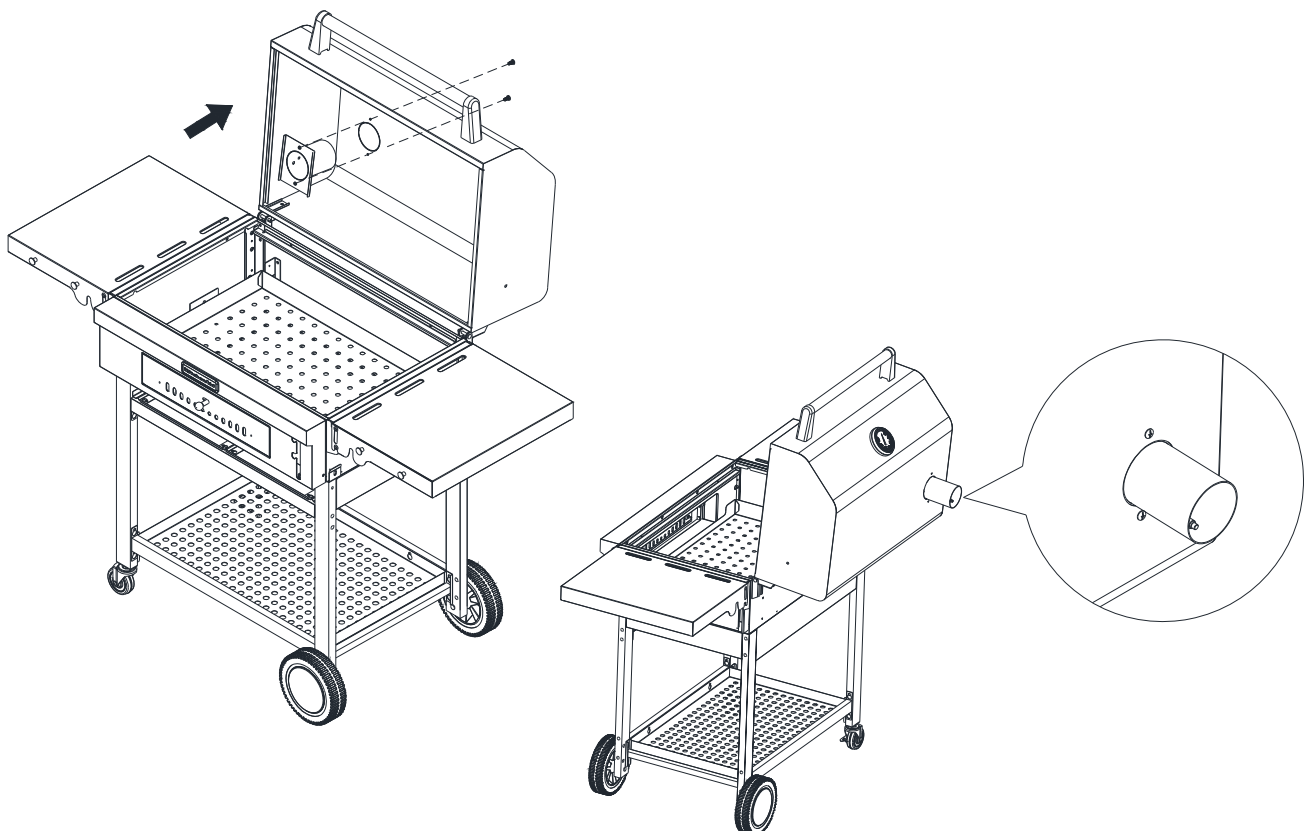
12b). Use 4 tornillos W 5/32" - 32x2/5" (FF-2) del fogón, por abajo, para ensamblar las molduras del estante (J&K) izquierdo y derecho, como se muestra. Son 2 tornillos para el lado izquierdo y 2 para el derecho.



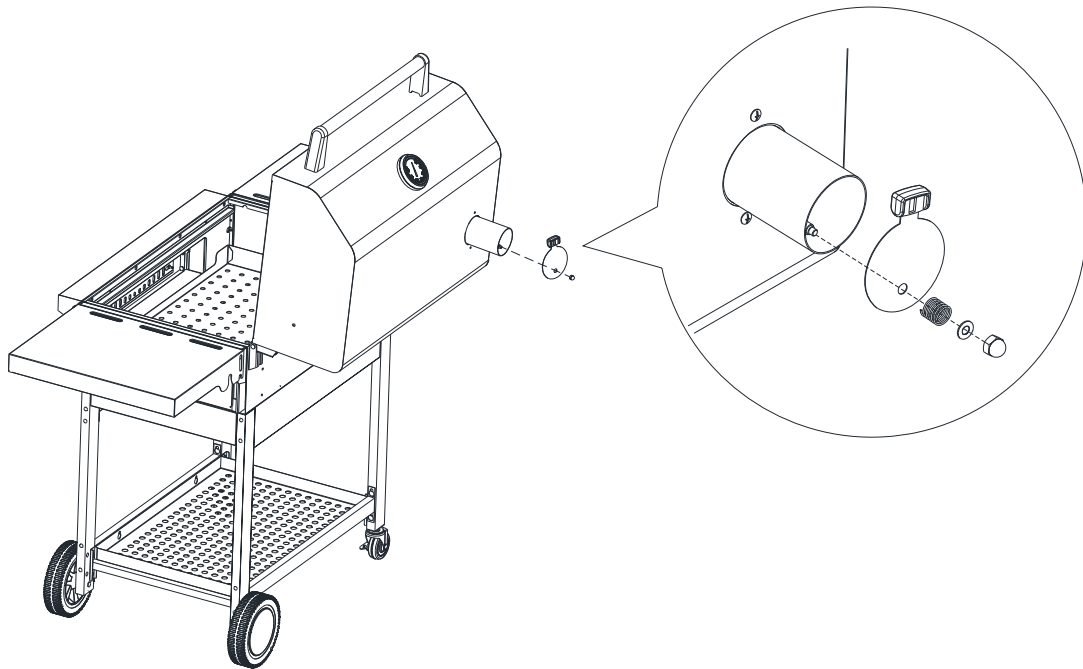
13. Instale el estante lateral izquierdo y derecho (F&G) con 4 tornillos W 5/32" - 32x2/5" de etapa (FF-5) como se muestra.



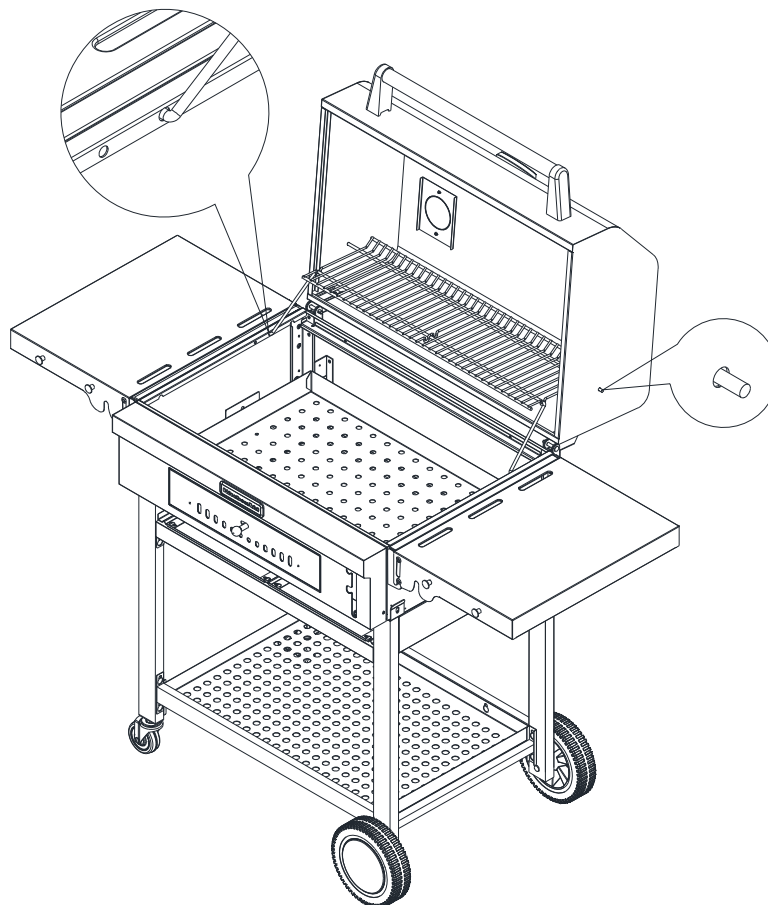
14. Inserte la chimenea de carbón (AB) de adentro de la tapa hacia afuera. Asiente la chimenea en el interior de la tapa, después fije la campana con 2 tornillos W 5/32" - 32x2/5" (FF-2) y apriételes.



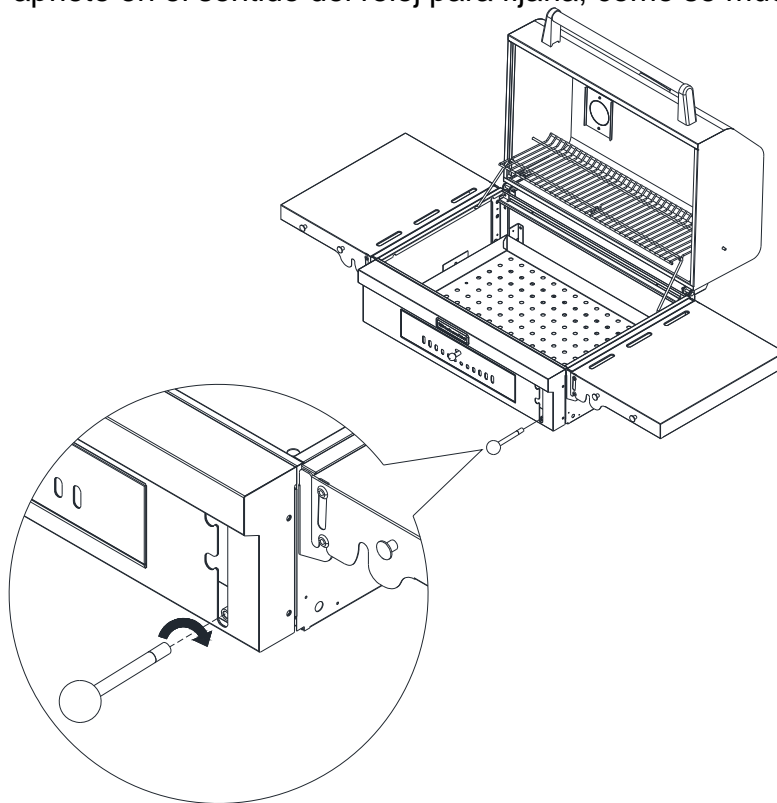
15. Coloque la tapa de la chimenea en la chimenea de carbón (A), después el resorte (FF-6), la arandela (FF-4) y la tuerca (FF-3). Apriete la tuerca en (FF-3) el extremo como se muestra.



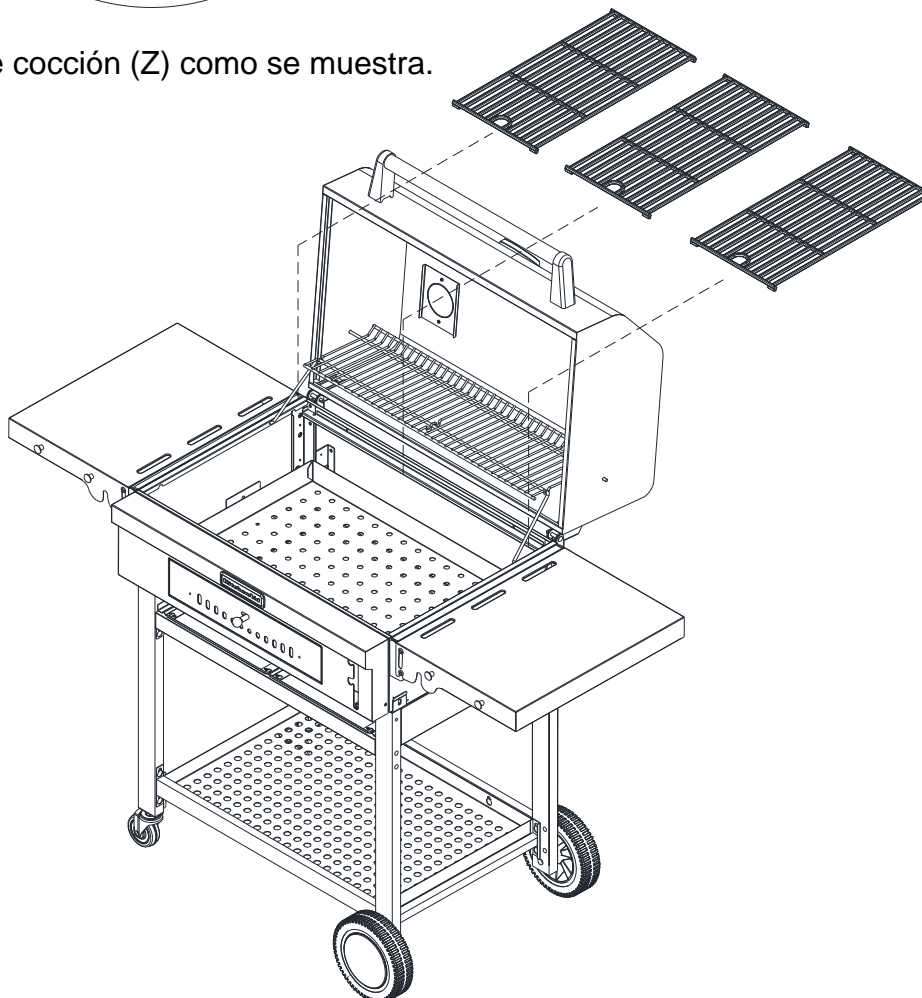
16. Inserte las cuatro patas de la plataforma de calentamiento (AA) en los dos agujeros del respaldo del panel lateral del fogón y los dos agujeros de la tapa, como se muestra.



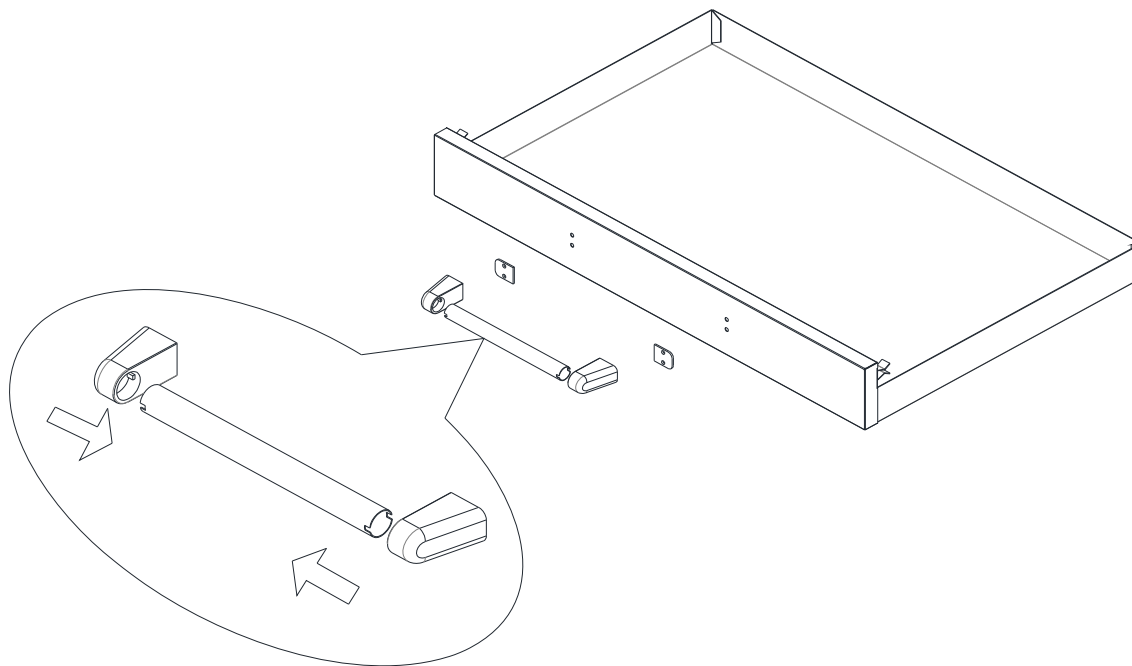
17. Coloque la perilla de control en la varilla de control (AE) de la bandeja de carbón situada detrás del panel de control y apriete en el sentido del reloj para fijarla, como se muestra.



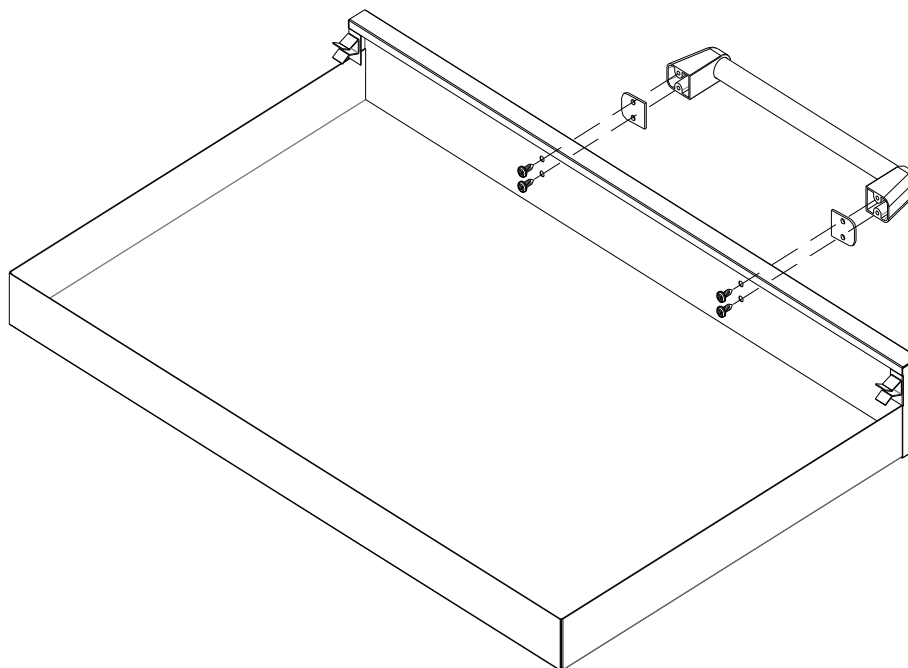
18. Instale las parrillas de cocción (Z) como se muestra.



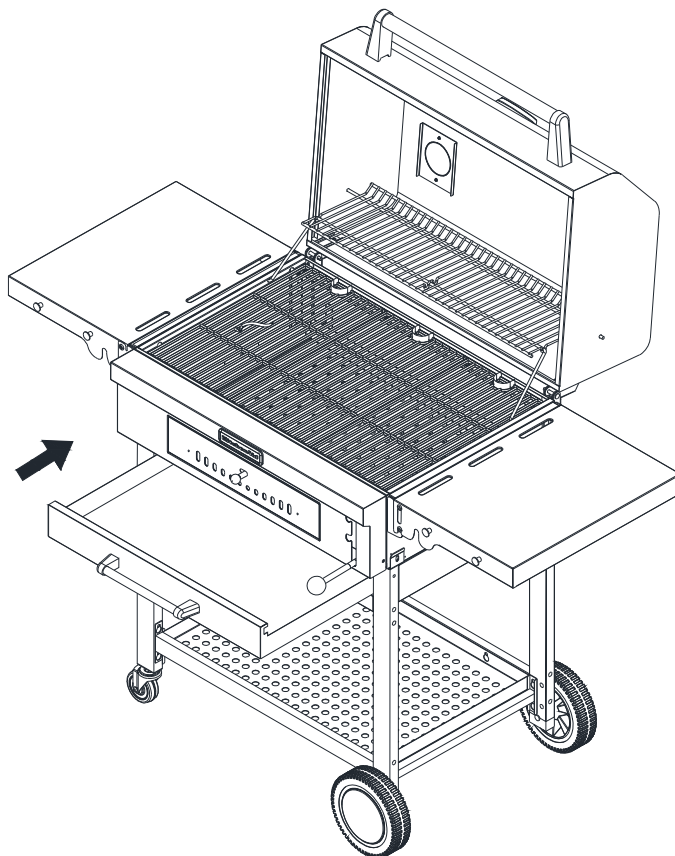
19. Inserte el tubo del mango del (Y) cajón de cenizas en el asiento del mango del cajón (X) y placa de mica (S) como se muestra.



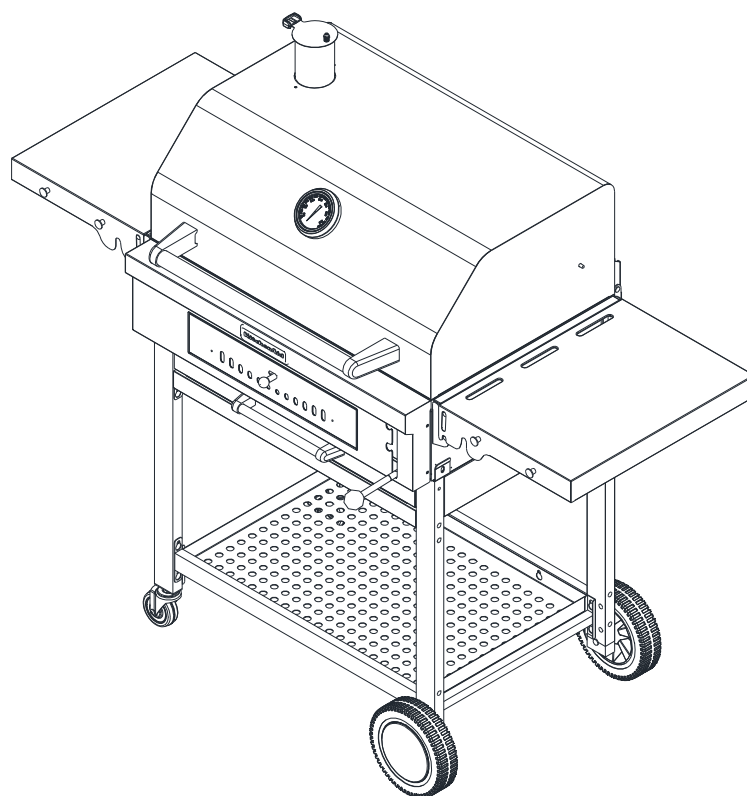
20. Use 4 tornillos W5/32"-32x2/5" (FF-2) para fijar y atornillar el mango como se muestra.



21. Deslice el cajón de cenizas en el carro del asador como se muestra.



22. Antes de usar el asador por primera vez por favor consulte la sección "Limpie la Charola de Carbón" para obtener instrucciones sobre el mantenimiento de su asador.



USO DEL ASADOR PARA EXTERIORES

Cómo usar el asador para exteriores

! ADVERTENCIA



Peligro de Incendio

No use gasolina u otros líquidos inflamables para encender o volver a encender carbón.

El uso de líquidos inflamables puede causar un retorno de llama.

No seguir estas instrucciones puede ocasionar la muerte, incendio o quemaduras graves.

Instrucciones para encender el carbón con briquetas

1. Abra la tapa del asador.
2. Retire las parrillas (vea "Cómo quitar las parrillas y el elevador").
3. Levante el mango de la charola de carbón para ajustarla en la posición intermedia. (Vea "Funcionamiento del mango de la charola de carbón".)
4. Coloque las briquetas de carbón en la charola y acomódelas en un montón. Nota: El carbón no debe rebasar la parrilla del asador. La cantidad máxima recomendable de carbón es 3.5 kg (8 libras).
5. Con la tapa del asador abierta, encienda el carbón siguiendo cualquiera de los siguientes métodos de encendido.
 - a. Varas de fibra de madera comprimida o iniciador de fuego con briquetas
 - b. Iniciador de carbón en chimenea
 - c. Iniciador de asador eléctrico
 - d. Carbón empapado de líquido de encendedor (briquetas de carbón listas para encender)
 - e. Papel y madera(Siga todas las instrucciones del fabricante para utilizar sus productos.)
6. Con la tapa del asador abierta, deje que el carbón arda hasta que bajen las llamas. Esparza los carbones de manera uniforme en el fondo de la charola de carbón. NOTA: Para prolongar la duración de su asador, no permita que los carbones calientes toquen las paredes del asador.
7. Ajuste el mango de la charola de carbón en la posición baja.
8. Vuelva a colocar las parrillas del asador.

! ADVERTENCIA

Peligro de Intoxicación Alimentaria

No deje sus alimentos por más de una hora antes o después de su cocción.

No seguir esta instrucción puede ocasionar intoxicación alimentaria o enfermedad.

Asado / Marcado

1. Antes de colocar alimentos sobre la rejilla de cocción, espere a que se hayan apagado todas las llamas del carbón.
2. Una vez que las briquetas se hayan convertido en brasas, gire la manivela para ajustar la charola de carbón en la posición de cocción deseada.
3. Coloque los alimentos en la parrilla y cierra la tapa del asador.
4. Ase los alimentos hasta que alcancen el término deseado, volteándolos según se necesite.

Regulación del calor

Para aumentar, reducir o mantener la intensidad del fuego, puede necesitar más briquetas de carbón, ajustar la posición de la charola o la ventilación delantera del aire. (Vea "Cómo ajustar la temperatura" y "Cómo colocar las briquetas de carbón mientras cocina".)

Cómo colocar las briquetas de carbón mientras cocina

Es posible que necesite más briquetas de carbón para mantener o aumentar la temperatura de cocción.

1. Abra la tapa del asador.
2. Con el mango de la charola de carbón, ajuste la charola en la posición baja.
3. Retire los alimentos de la parrilla, después retire la parrilla en sí.
4. Con una pinzas de cocina, coloque las briquetas en la charola.
5. Cuando las briquetas de carbón estén ardiendo, distribúyalas de modo parejo en el fondo de la charola de carbón y ajústelo al nivel deseado de cocción.
6. Vuelva a poner los alimentos en la parrilla.
7. Cierre la tapa de la parrilla. Deje que los alimentos se sigan asando.

CONSEJOS PARA ASAR AL AIRE LIBRE

Consejos para la utilización de la parrilla

Cómo quitar la parrilla y el elevador de la parrilla

Use el elevador de la parrilla para quitar las parrillas y agregar briquetas a la charola de carbón. No deje el elevador adentro del asador ya que se calentaría demasiado para manejarlo.



Elevador de la parrilla de carbón

Funcionamiento de la perilla de control de la puerta de ventilación

Para abrir la puerta de ventilación jale la perilla de ventilación.

Para ajustar la ventilación, gire la perilla a la izquierda o a la derecha.



Perilla de control de la ventilación del carbón

Mango de la charola del carbón

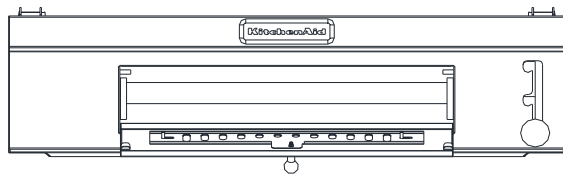
CÓMO AJUSTAR LA TEMPERATURA

Funcionamiento del mango de la charola de carbón

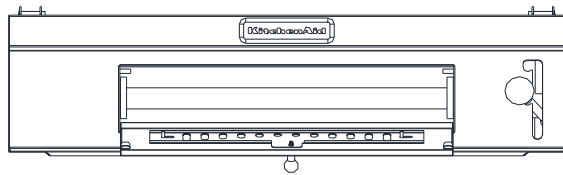
Con el mango de la charola de carbón puede levantarse o bajarse en cualquier momento de la cocción para ajustar el calor que se desea. Si eleva la charola aumenta el calor directo. Si baja la charola se reduce el calor directo. Levante la bandeja una vez que la unidad se haya enfriado por completo para que así sea más fácil poner las cenizas en la bandeja para cenizas. No levante la bandeja más de la mitad cuando esté totalmente llena con briquetas frescas de carbón.

Para controlar la temperatura de cocción, gire la perilla de ventilación al frente del asador para abrir y cerrar la ventilación. Para elevar la temperatura, abra la ventilación. Para reducir la temperatura, cierre la ventilación.

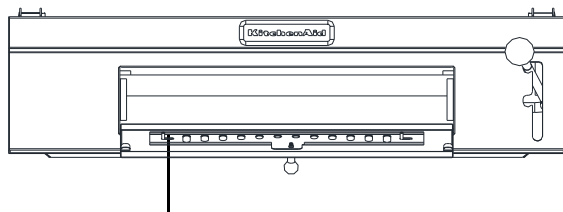
NOTA: La temperatura no debe exceder los 500 ° F (260 ° C). Puede controlar la temperatura con el indicador de temperatura que se encuentra en la tapa de la parrilla.



Nivel bajo



Nivel medio



Nivel alto

Bandeja de carbón

CUIDADO DEL ASADOR PARA EXTERIORES

Limpieza general

IMPORTANTE: Antes de la limpieza, asegúrese de que todos los controles estén apagados y que el asador esté frío.

Siempre siga las instrucciones que vienen en las etiquetas de los productos de limpieza.

Para una limpieza de rutina, lávelo con agua y jabón, usando un paño suave o una esponja. Enjuague con agua limpia y seque enseguida con un paño suave sin pelusa, para evitar manchas y rayas.

No use estopa de acero para limpiar el asador, ya que rayará la superficie.

Para evitar daños al acabado del asador ocasionados por el clima, use una cubierta para el mismo.

ACERO INOXIDABLE

IMPORTANTE: Para evitar daños a las superficies de acero inoxidable, no use estropajos que vienen con jabón, productos de limpieza abrasivos, crema para pulir la superficie de cocción, estopa de acero, paños ásperos ni toallas de papel. Los productos de limpieza no deben tener cloro. Pueden ocurrir daños.

Los derrames de alimentos deberán limpiarse tan pronto como se enfríe todo el asador.

Los derrames pueden ocasionar una decoloración permanente.

Método de limpieza:

- Frote en la dirección de la veta para evitar rayar o dañar la superficie.
- Limpiador de acero inoxidable.
- Detergente líquido o producto de limpieza general
- Enjuague con agua limpia y seque con un paño suave que no deje pelusa.
- Vinagre para quitar manchas de agua dura.
- Limpiador de vidrios para quitar las huellas digitales.

EXERIOR

Debido a su calidad, este material resiste la mayoría de las manchas y las picaduras, siempre y cuando se mantenga la superficie limpia, pulida y cubierta.

■ Aplique pulidor de acero inoxidable a todas las áreas que no sean de cocción antes de usarlas por primera vez. Vuelva a

aplicarlo después de cada limpieza para evitar daños permanentes en la superficie.

■ A la limpieza deberá seguirle siempre un enjuague con agua tibia limpia.

■ Seque la superficie por completo con un paño suave.

■ Para las manchas rebeldes o la grasa adherida, use un desengrasante comercial diseñado para acero inoxidable.

INTERIOR

Curado de la Charola de Carbón

Antes de usar por primera vez el asador hay que curar la charola de carbón para evitar que se oxide.

1. Revise que la charola esté limpia y no contenga briquetas de carbón.
2. Frote o rocíe una capa delgada de aceite de cocina (evite aceites con sal) en toda la charola de carbón.
3. Use el asador de acuerdo a las instrucciones de encendido.

Limpe la Charola de Carbón

Para limpiar la charola de carbón después de usarla, asegúrese de que se hayan enfriado por completo las briquetas de carbón.

1. Barra las cenizas por los agujeros de la charola de carbón hacia la bandeja de cenizas. Vacíe el cajón de cenizas
2. Evite usar jabón, ya que éste elimina la capa de aceite curado en la rejilla de carbón. Use solamente agua y, de ser necesario, un material suave y no abrasivo. Séquela a fondo.
3. Vuelva a aplicar una capa delgada de aceite de cocina para proteger la charola mientras la guarda hasta la siguiente vez que la use.

ASISTENCIA

Antes de solicitar ayuda, por favor consulte la sección "Solución de problemas". Si considera que aún necesita ayuda, siga las instrucciones que aparecen a continuación.

Cuando llame, tenga a mano la fecha de compra y el número completo del modelo y de la serie de su electrodoméstico. Esta información nos ayudará a atender mejor a su pedido.

Si necesita piezas de repuesto

Si tiene preguntas o necesita pedir piezas de repuesto, contacte a Servicio al cliente al **1-877-373-2301**

Dirija toda la correspondencia a:

Nexgrill Industries, Inc.

14050 Laurelwood Place, Chino, CA 91710

Por favor incluya en su correspondencia un número de teléfono en el que se le pueda localizar durante el día.

GARANTÍA LIMITADA (Modelo N° 810-0021)

Nexgrill garantiza solamente al consumidor-comprador original de este producto (Modelo N° 810-0021) que el mismo estará libre de defectos en los materiales y la mano de obra después del ensamblaje correcto y bajo uso normal y razonable en el hogar, durante los períodos indicados a continuación, a partir de la fecha de compra. El fabricante se reserva el derecho de exigir evidencia fotográfica del daño o la devolución de las piezas defectuosas con los gastos por envío y/o flete prepagados por el consumidor, para su revisión y examen.

Quemadores de tubo de acero inoxidable: Garantía LIMITADA de 3 años contra perforaciones; no cubre problemas estéticos tales como corrosión en la superficie, rayones ni óxido.

Todas las otras piezas: Garantía LIMITADA de 1 año (incluye, pero sin limitación, válvulas, marco, alojamiento, carro, panel de control, encendedor, regulador, mangueras); no cubre desportilladuras, corrosión en la superficie agrietada, rayones ni óxido.

Una vez que el consumidor provea la prueba de compra como se indica en la presente, el Fabricante reparará o reemplazará las piezas que hayan probado ser defectuosas durante el período cubierto por la garantía. Las piezas necesarias para completar la reparación o el reemplazo se proveerán gratuitamente, excepto por los costos de envío, siempre y cuando el comprador esté dentro del período de la garantía a partir de la fecha de compra original. El comprador-consumidor original será responsable por todos los cargos por envío de las piezas reemplazadas bajo los términos de esta garantía limitada. Esta garantía limitada es aplicable solamente en los Estados Unidos, está disponible solamente para el dueño original del producto y no es transferible. El fabricante requiere una prueba razonable de la fecha de compra. Por lo tanto, usted deberá conservar su recibo de compra y/o la factura. Si la unidad fue recibida como regalo, solicite a la persona que le hizo el regalo que envíe el recibo en su nombre a la dirección que aparece debajo. Las piezas defectuosas o faltantes que estén cubiertas por esta garantía limitada no serán reemplazadas sin el registro o la prueba de compra. Esta garantía limitada se aplica SOLAMENTE a la funcionalidad del producto y no cubre problemas estéticos tales como rayones, abolladuras, corrosión o decoloración ocasionada por el calor, los limpiadores abrasivos y químicos o cualquier herramienta usada en el ensamblaje o la instalación del aparato, óxido de la superficie o decoloración de las superficies de acero inoxidable. El óxido, la corrosión o las desportilladuras de la pintura en polvo de la superficie en las piezas de metal que no afecten la integridad estructural del producto no se considera un defecto en la mano de obra ni en los materiales, y por lo tanto no están cubiertos bajo esta garantía. Bajo esta garantía limitada, usted no recibirá un reembolso por el costo de cualquier inconveniencia, alimento, herida personal o daño a la propiedad. Si no existe una pieza original de repuesto, se le enviará una pieza de repuesto equivalente. Usted será responsable por todos los cargos por envío de las piezas reemplazadas bajo los términos de esta garantía limitada.

EL FABRICANTE NO PAGARÁ POR LOS SIGUIENTES ARTÍCULOS:

- Visitas de servicio a su hogar.
- Reparaciones cuando su producto se use de un modo diferente al doméstico o residencial normal de una familia.
- Daños causados por accidente, alteración, uso indebido, falta de mantenimiento/limpieza, abuso, incendio, inundación, actos fortuitos, instalación incorrecta, instalación que no esté de acuerdo con los códigos eléctricos o de plomería, o el empleo de productos no aprobados por el fabricante.
- Cualquier pérdida de comida debida a la falla del producto.
- Costos de piezas de repuesto o gastos de reparación para unidades que se empleen fuera de los Estados Unidos o Canadá.
- Recogida y entrega de su producto.
- Cargos por envío o cargos por procesamiento de fotos enviadas como documentación.
- Reparaciones de piezas o sistemas como resultado de modificaciones no autorizadas que se hayan efectuado en el producto.
- La remoción y/o reinstalación del producto.
- Costos por transporte, común o acelerado, para las piezas de repuesto bajo garantía o sin garantía.

■ EXCLUSIÓN DE GARANTÍAS IMPLÍCITAS; LIMITACIÓN DE RECURSOS

■ La reparación o el reemplazo de las piezas defectuosas será su único recurso bajo los términos de esta garantía limitada. El fabricante no será responsable por cualquier daño consecuente o incidental que surja del incumplimiento de esta garantía limitada o de cualquier garantía implícita que sea aplicable, ni por la falla o daños ocasionados por actos fortuitos, el cuidado y mantenimiento inadecuados, incendios ocasionados por grasa, accidentes, alteraciones, el reemplazo de piezas por parte de alguien que no sea el Fabricante, uso indebido, transporte, uso comercial, abuso, medioambientes hostiles (inclemencias del tiempo, catástrofes naturales, manipulación por parte de animales), instalación incorrecta o instalación que no esté de acuerdo con los códigos locales o las instrucciones impresas por el fabricante.

ESTA GARANTÍA LIMITADA SERÁ LA ÚNICA GARANTÍA EXPRESA OTORGADA POR EL FABRICANTE. NO EXISTIRÁ NINGUNA OTRA GARANTÍA POR PARTE DEL FABRICANTE CON RESPECTO AL DESEMPEÑO SEGÚN LA ESPECIFICACIÓN O LA DESCRIPCIÓN DEL PRODUCTO, EN DONDE SEA QUE APAREZCA, EXCEPTO EN LA MEDIDA EN QUE SE HA INDICADO EN ESTA GARANTÍA LIMITADA. TODA PROTECCIÓN POR GARANTÍAS IMPLÍCITAS QUE SURJA BAJO LAS LEYES DE CUALQUIER ESTADO, INCLUIDAS LAS GARANTÍAS IMPLÍCITAS DE COMERCIALIZACIÓN O DE CAPACIDAD PARA UN PROPÓSITO O USO EN PARTICULAR, ESTARÁ LIMITADA EN SU DURACIÓN A LA DURACIÓN DE ESTA GARANTÍA LIMITADA.

Ni los distribuidores, ni el establecimiento minorista que venda este producto, tendrán ninguna autoridad para hacer garantías adicionales o para prometer recursos adicionales a los establecidos anteriormente o en contra de los mismos. En todo caso, la máxima responsabilidad del fabricante no excederá del precio documentado por la compra del producto pagado por el consumidor original. Esta garantía se aplica solamente para las unidades compradas a un minorista o revendedor autorizado.

Si usted desea llevar a cabo una acción por cualquier obligación bajo esta garantía limitada, deberá escribir a:

**Nexgrill Customer Relations
14050 Laurelwood Place,
Chino, CA 91710**

Toda la información relativa a devoluciones, pedidos de piezas, preguntas generales y asistencia con problemas de funcionamiento por parte del consumidor, podrá obtenerse llamando al 1-877-373-2301.